



US00D533301S

(12) **United States Design Patent**  
**Lee**

(10) **Patent No.:** **US D533,301 S**

(45) **Date of Patent:** **\*\* Dec. 5, 2006**

(54) **PORTION OF LIGHTING FIXTURE**

(76) **Inventor:** **Ying-Jue Lee**, 3F, No. 10, Alley 16,  
Lane 205, Sec. 3, Hsien Ming Da Doa,  
Panchou, Taipei Hsien (TW), 220

(\*\*) **Term:** **14 Years**

(21) **Appl. No.:** **29/205,330**

(22) **Filed:** **May 11, 2004**

(51) **LOC (8) Cl.** ..... **26-99**

(52) **U.S. Cl.** ..... **D26/155**

(58) **Field of Classification Search** ..... D26/155,  
D26/65, 60-64, 118, 152, 158, 140, 68; D8/373,  
D8/328; 362/147, 401, 269, 345, 427, 220,  
362/419; 248/124; 315/57

See application file for complete search history.

(56) **References Cited**

**U.S. PATENT DOCUMENTS**

D222,748 S	*	12/1971	Strianese	.....	D26/24
4,652,068 A	*	3/1987	Boekholt	.....	439/11
4,722,502 A	*	2/1988	Mueller et al.	.....	248/284.1
D318,340 S	*	7/1991	Huang	.....	D26/65
D325,789 S	*	4/1992	Atkinson	.....	D26/63
D333,360 S	*	2/1993	Huang	.....	D26/65

D341,671 S	*	11/1993	Kuo	.....	D26/65
D355,722 S	*	2/1995	Roos et al.	.....	D26/63
D362,323 S	*	9/1995	Kay	.....	D26/140
5,590,957 A	*	1/1997	Chen	.....	362/419
D395,140 S	*	6/1998	O'Rourke	.....	D26/140
D407,842 S	*	4/1999	Landefeld	.....	D26/68

\* cited by examiner

*Primary Examiner*—Freda S. Nunn  
*Assistant Examiner*—Kevin K. Rudzinski

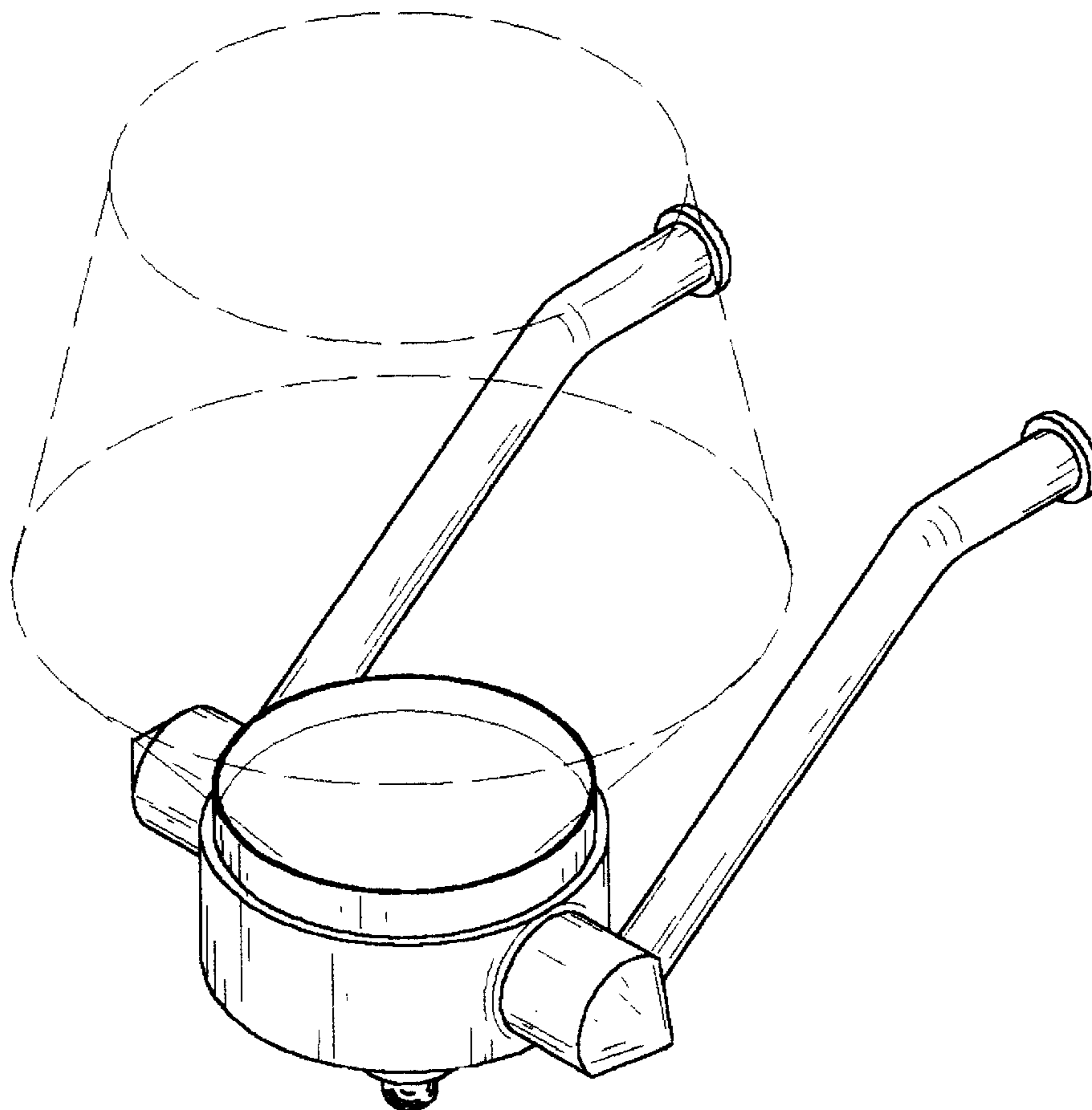
(57) **CLAIM**

The ornamental design for a portion of lighting fixture, as shown and described.

**DESCRIPTION**

FIG. 1 is a perspective view of a portion of lighting fixture showing my new design;  
FIG. 2 is a front elevational view thereof;  
FIG. 3 is a rear elevational view thereof;  
FIG. 4 is a left side elevational view thereof;  
FIG. 5 is a right side elevational view thereof;  
FIG. 6 is a top plan view thereof; and,  
FIG. 7 is a bottom plan view thereof.  
The broken lines are shown for illustrative purpose only, and forming no part of the claimed design.

**1 Claim, 4 Drawing Sheets**



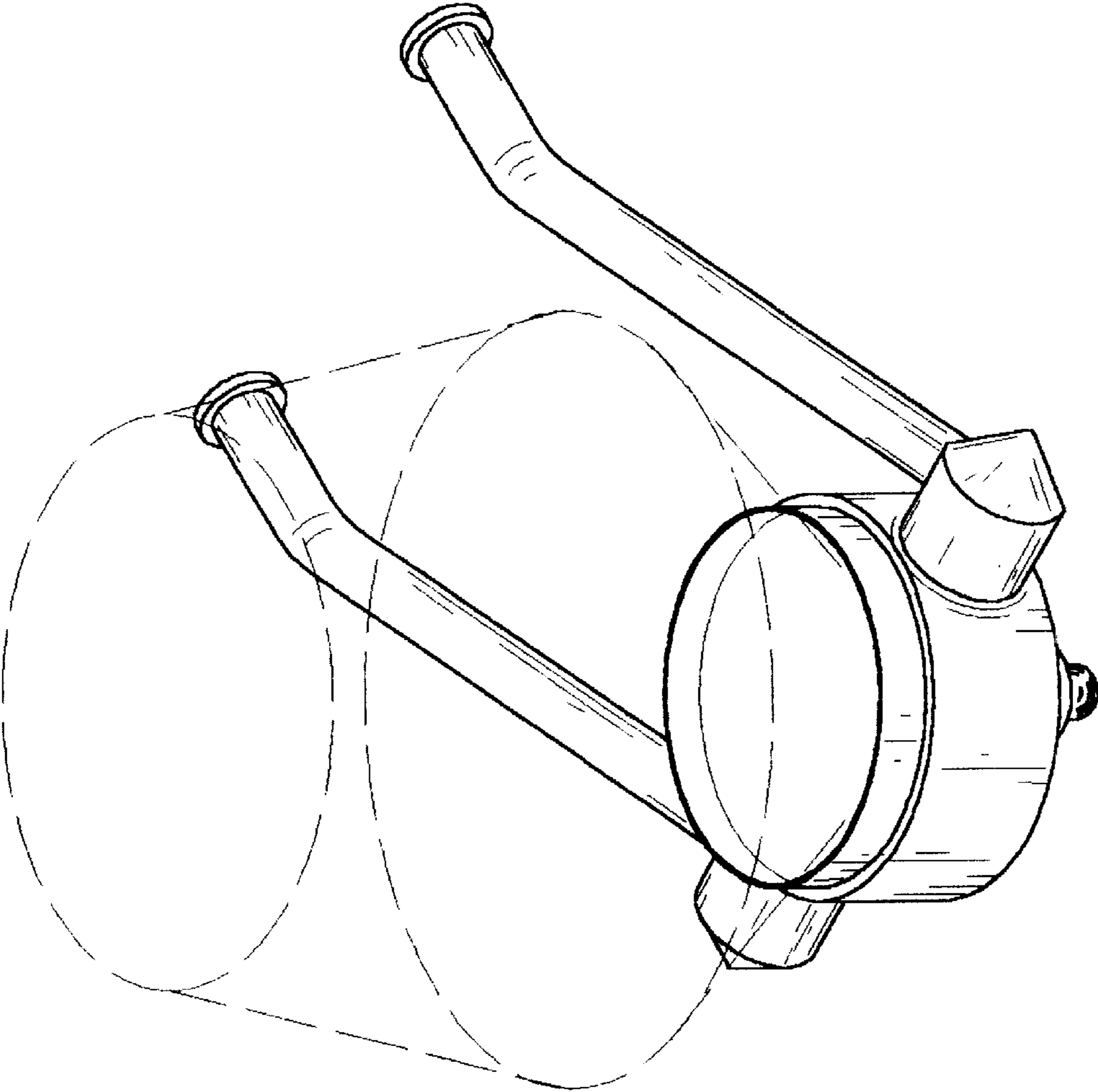


Fig. 1

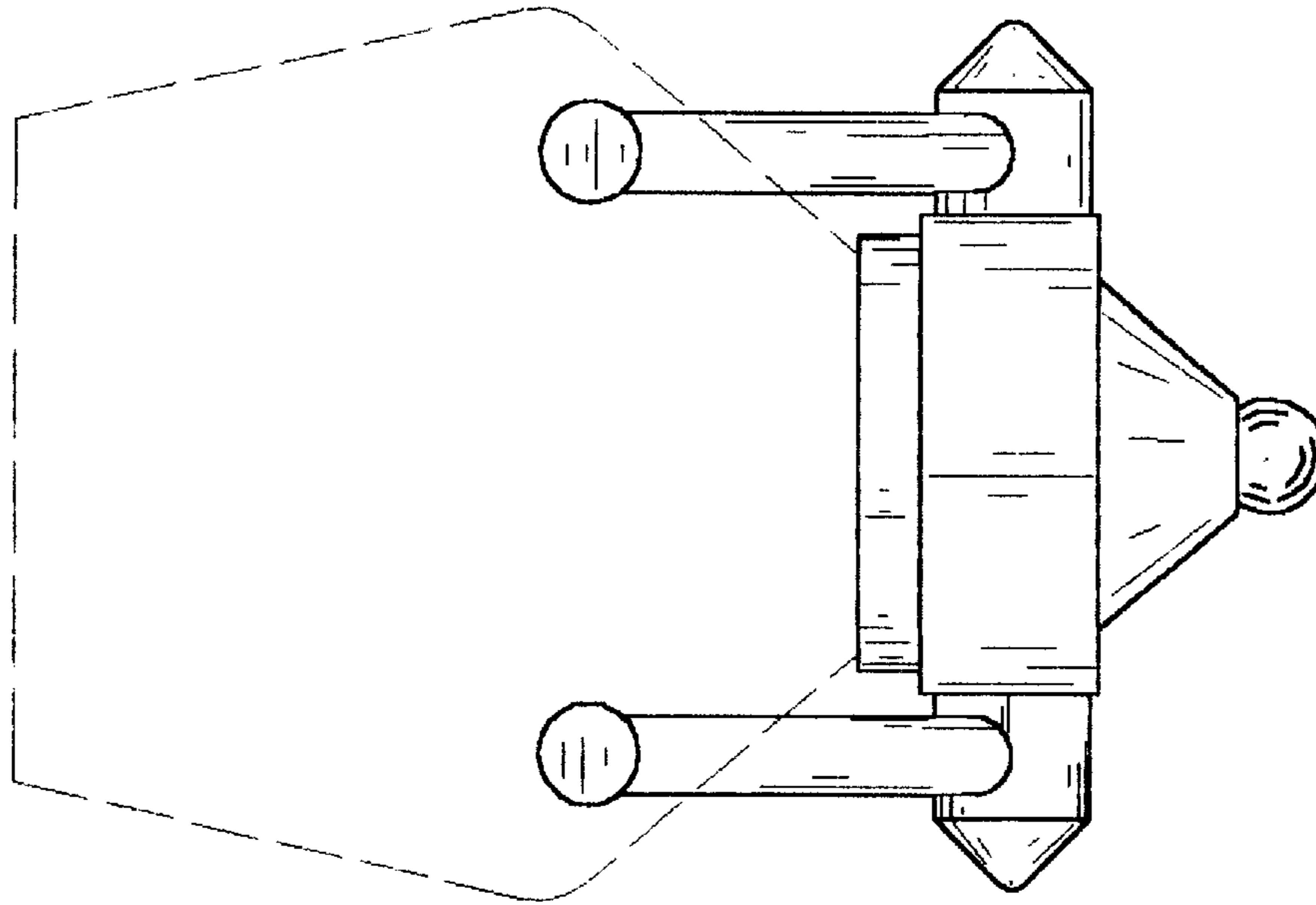


Fig. 2

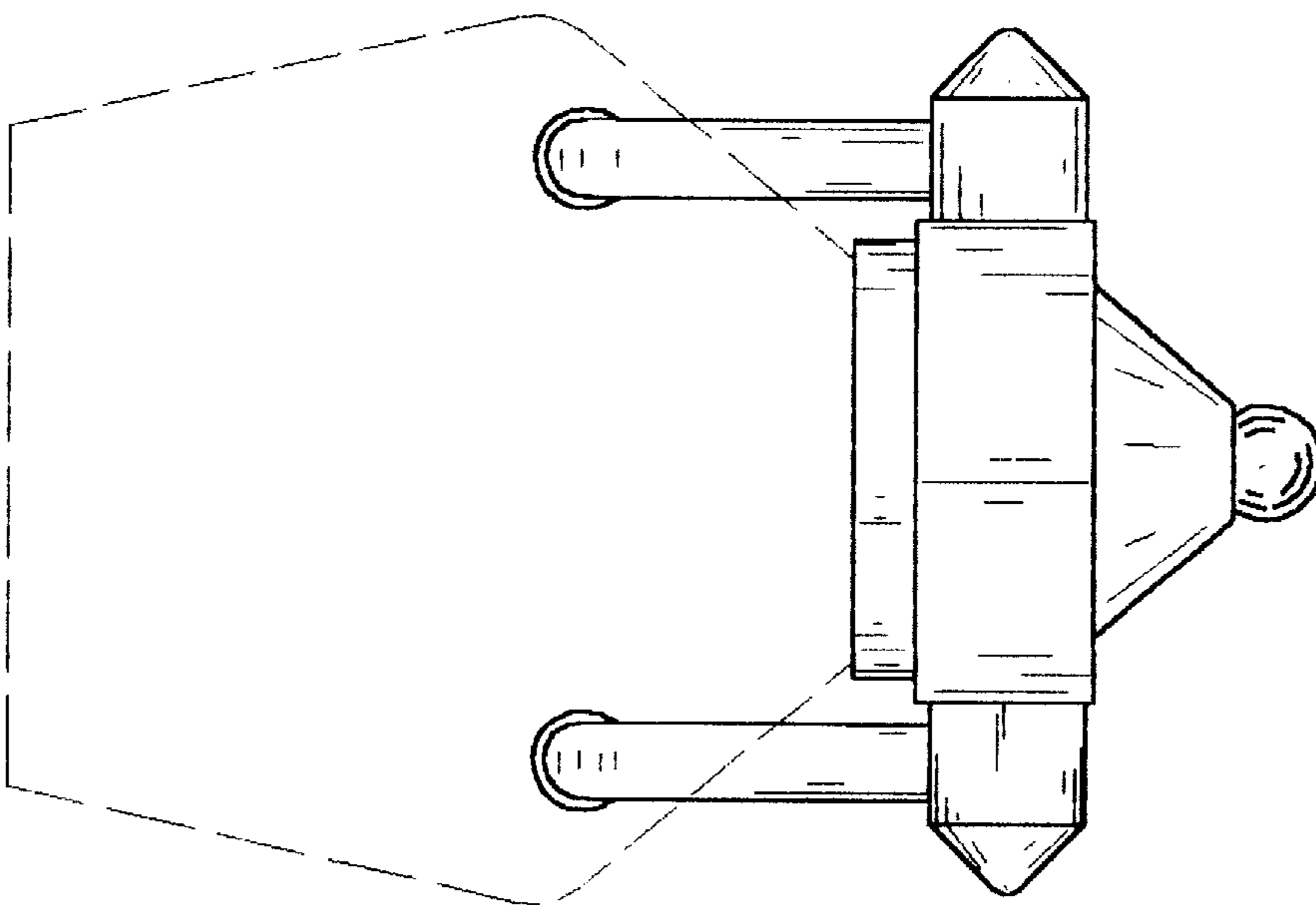


Fig. 3

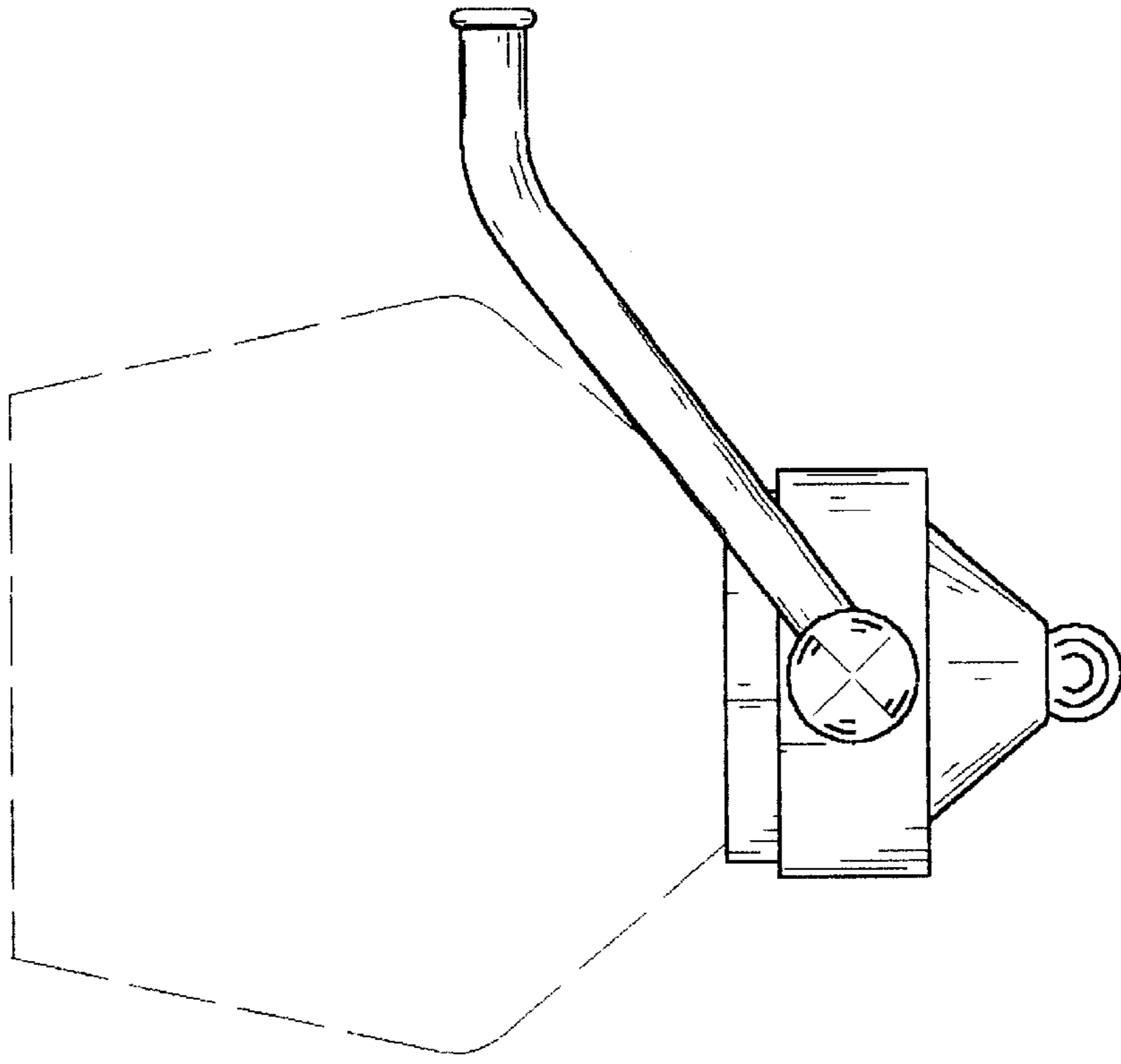


Fig. 5

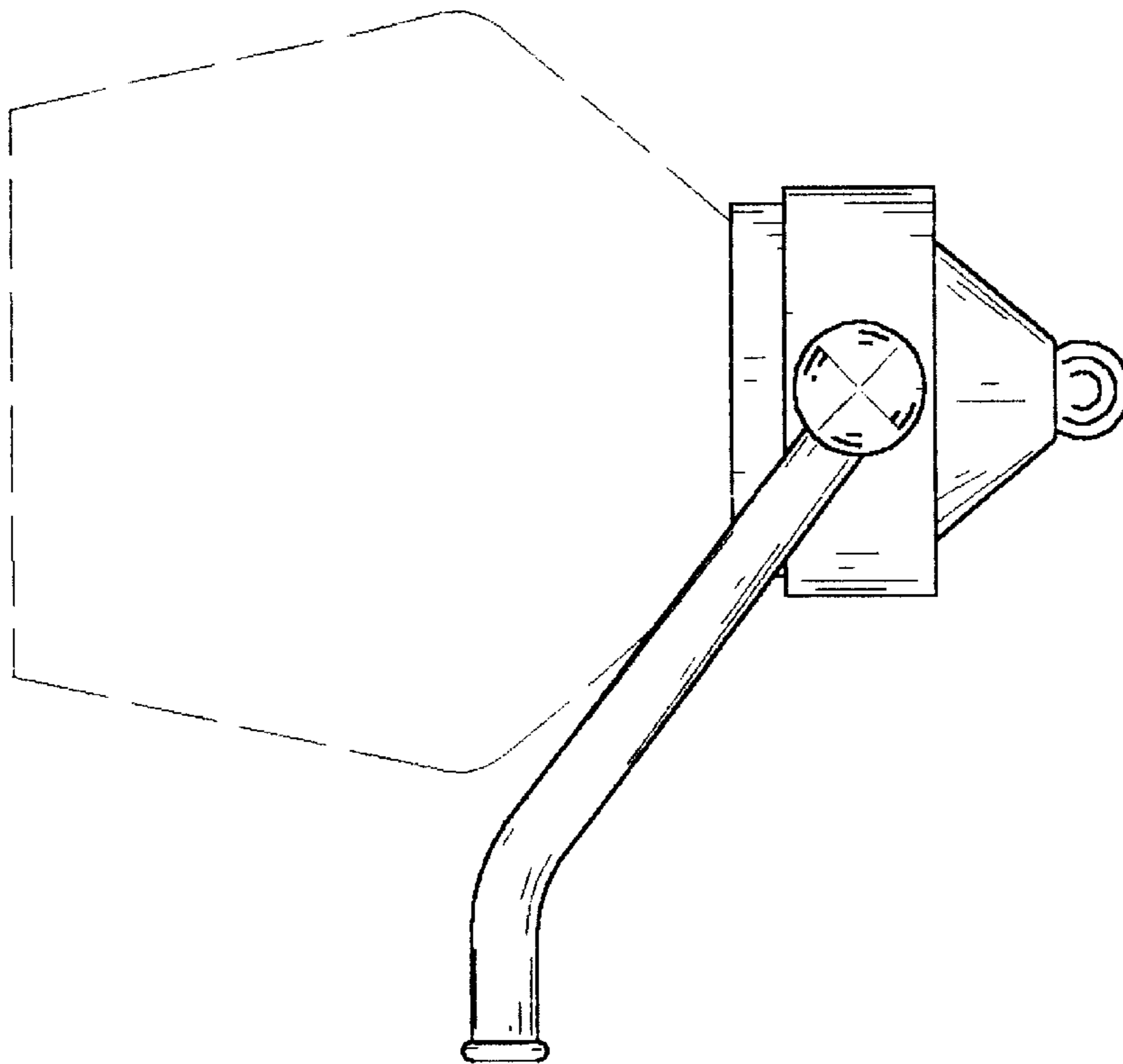


Fig. 4

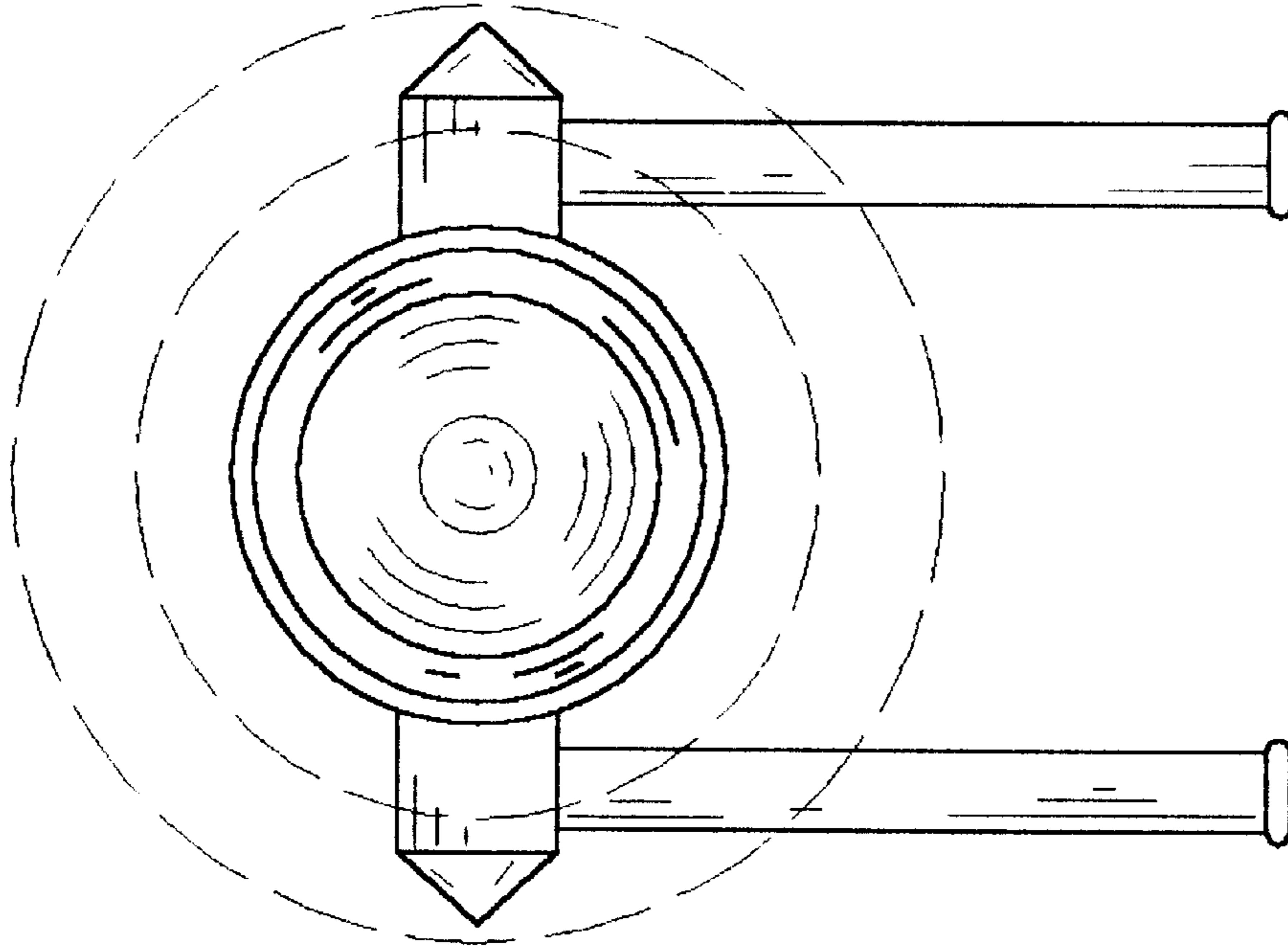


Fig. 7

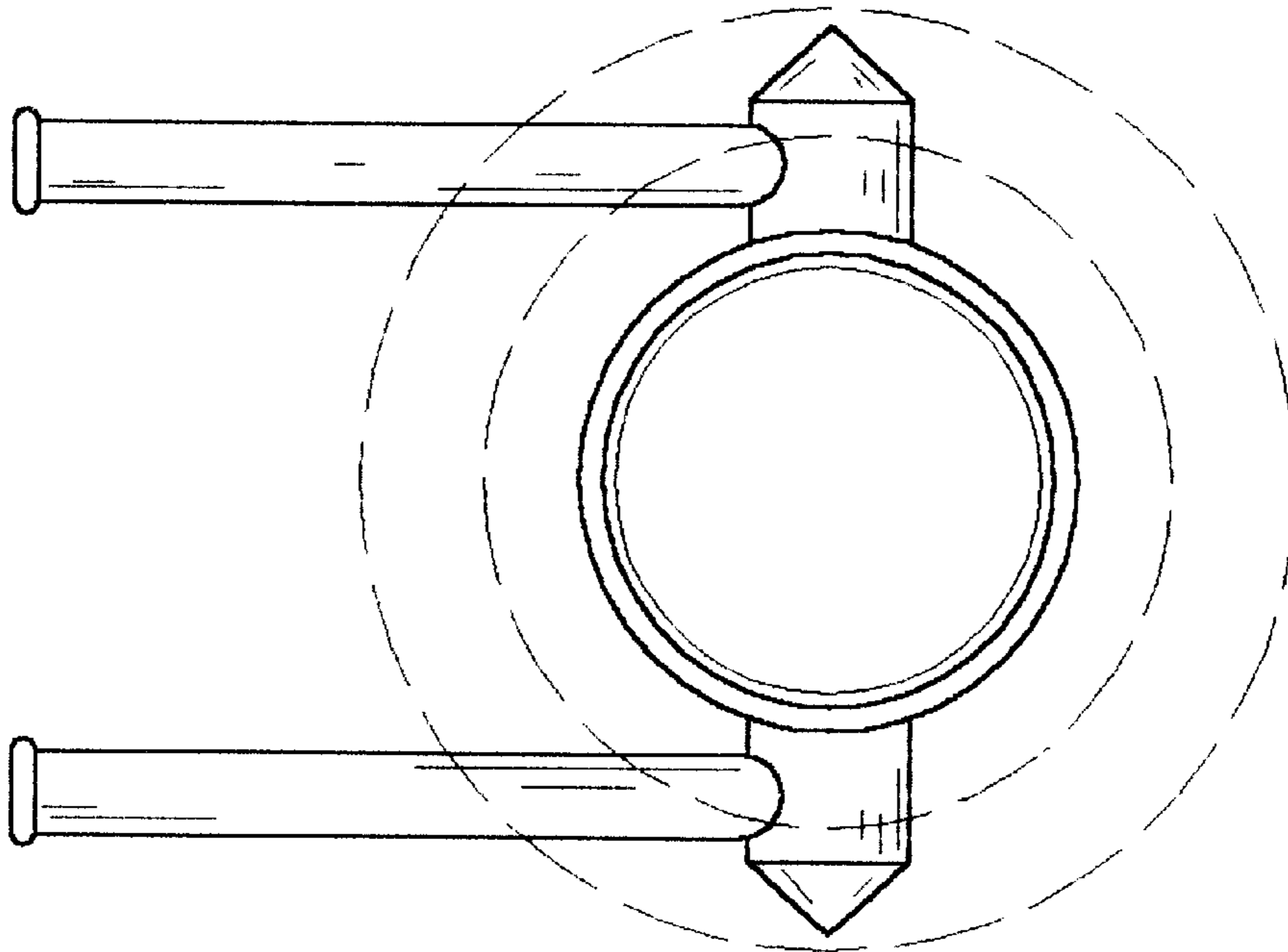


Fig. 6