



US00D533298S

(12) **United States Design Patent**
Kuelbs et al.

(10) **Patent No.:** **US D533,298 S**

(45) **Date of Patent:** **** Dec. 5, 2006**

(54) **SOLAR LIGHT WITH RECTANGULAR SOLAR COLLECTOR**

(75) Inventors: **Gustav P. Kuelbs**, Dallas, TX (US);
Mingqiang Pu, Guangzhou (CN)

(73) Assignee: **World Factory, Inc.**, Coppell, TX (US)

(**) Term: **14 Years**

(21) Appl. No.: **29/217,056**

(22) Filed: **Feb. 18, 2005**

Related U.S. Application Data

(63) Continuation-in-part of application No. 10/830,657, filed on Apr. 23, 2004, which is a continuation-in-part of application No. 29/178,330, filed on Mar. 24, 2003, now Pat. No. Des. 494,536, application No. 29/217,056, which is a continuation-in-part of application No. 10/959,263, filed on Oct. 6, 2004.

(51) **LOC (8) Cl.** **26-99**

(52) **U.S. Cl.** **D26/113; D26/67; 13/102**

(58) **Field of Classification Search** D26/67-71,
D26/113; D13/102; 362/183, 153, 285, 287,
362/288, 362, 363, 431, 427; 126/589, 704;
136/251

See application file for complete search history.

(56) **References Cited**

U.S. PATENT DOCUMENTS

D311,722 S * 10/1990 Cheng D13/102

D316,458 S * 4/1991 Spotts et al. D26/67
5,570,000 A * 10/1996 Kowalski 362/183
D422,735 S * 4/2000 Lam D26/68
D487,884 S * 3/2004 Peress et al. D13/102
7,021,787 B1 * 4/2006 Kuelbs 362/183
2004/0228123 A1 * 11/2004 Stewart 362/183

* cited by examiner

Primary Examiner—Clare E Heflin

(74) *Attorney, Agent, or Firm*—James E. Walton

(57) **CLAIM**

The ornamental design for a solar light with rectangular solar collector, as shown and described.

DESCRIPTION

FIG. 1 is a perspective view of the solar light with rectangular solar collector showing the present invention;

FIG. 2 is a front view of the solar light of FIG. 1.

FIG. 3 is a left side view of the solar light of FIG. 1.

FIG. 4 is a right side view of the solar light of FIG. 1.

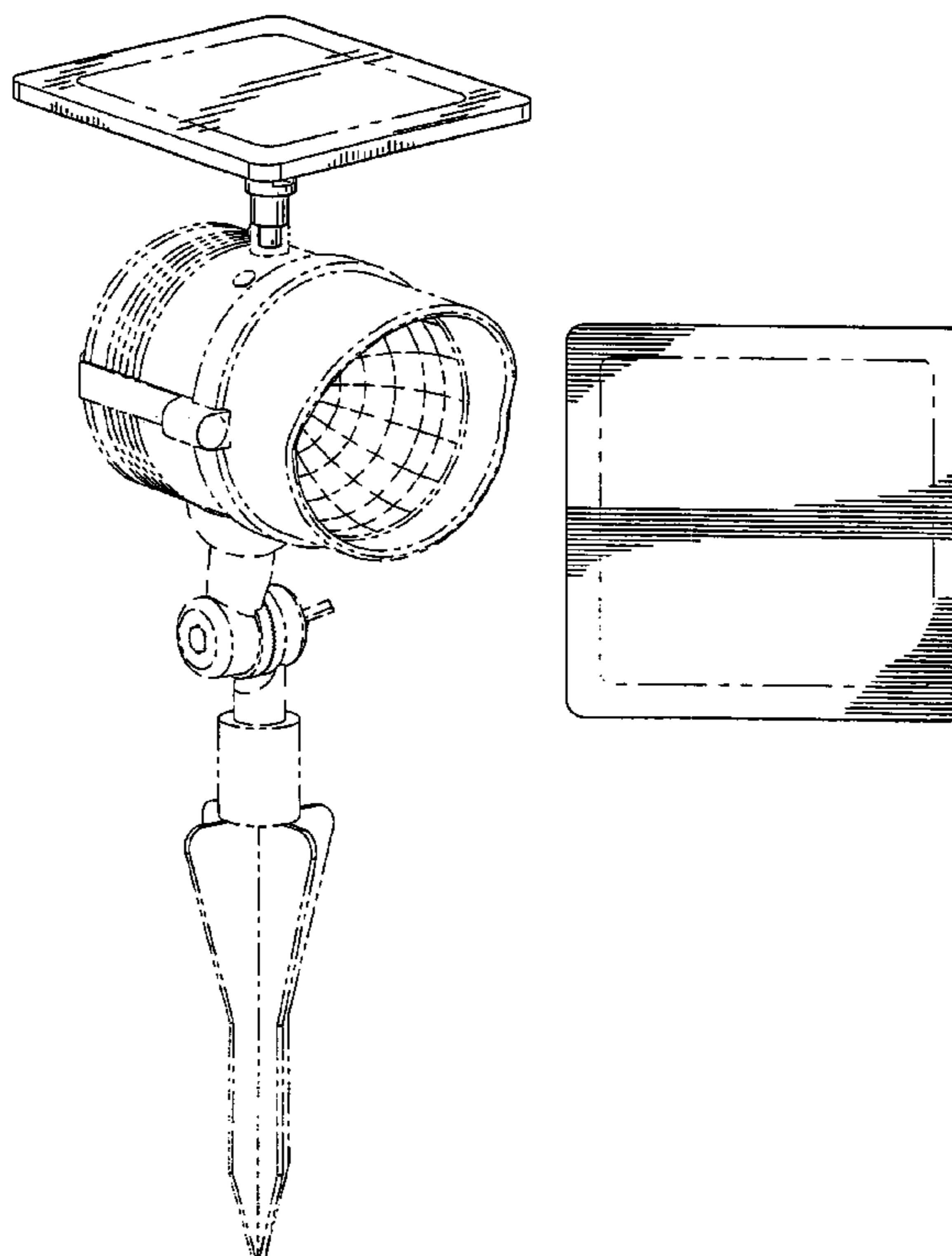
FIG. 5 is a back view of the solar light of FIG. 1.

FIG. 6 is a top view of the solar light of FIG. 1; and,

FIG. 7 is a bottom view of the solar light of FIG. 1.

The broken lines shown on the drawings are for illustrative purposes only and form no part of the claimed design.

1 Claim, 2 Drawing Sheets



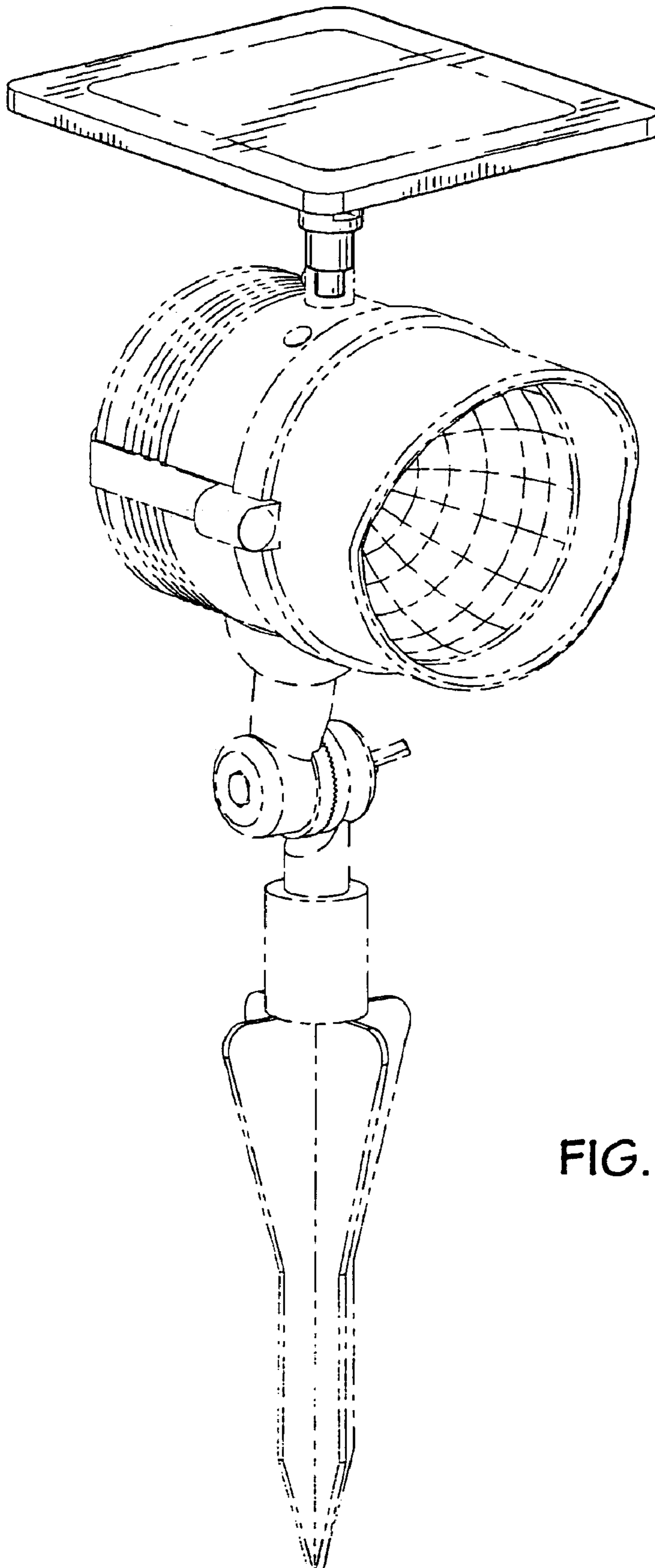


FIG. 1

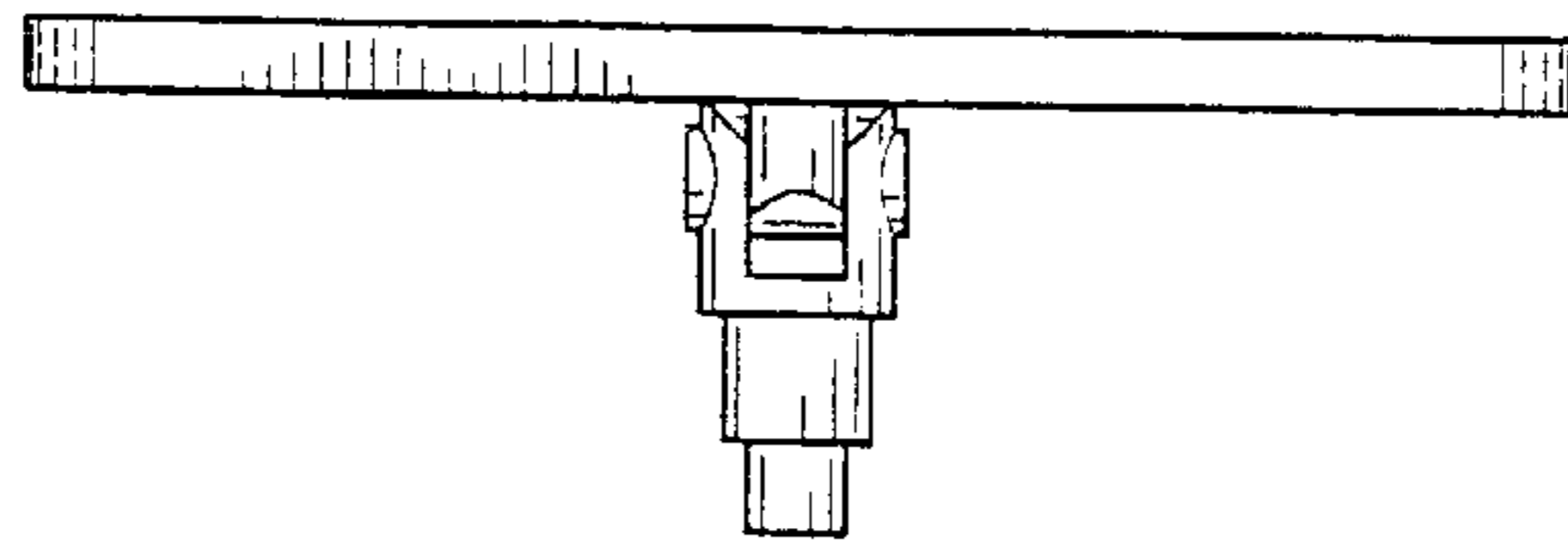


FIG. 2

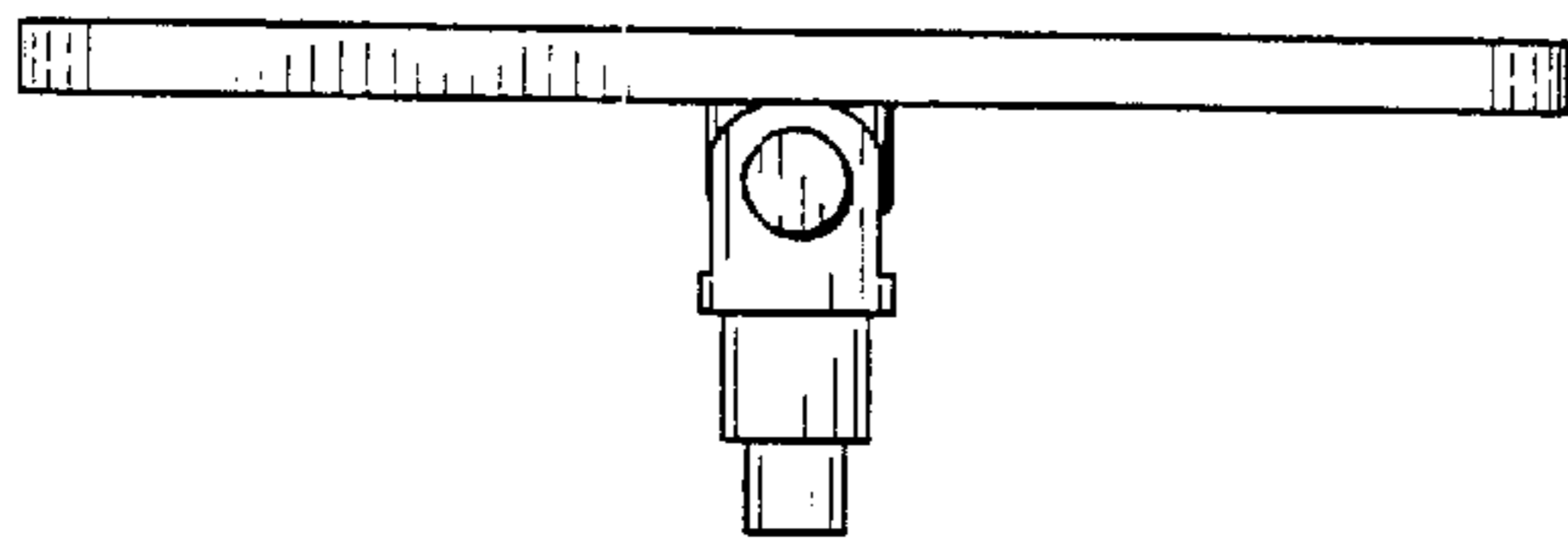


FIG. 3

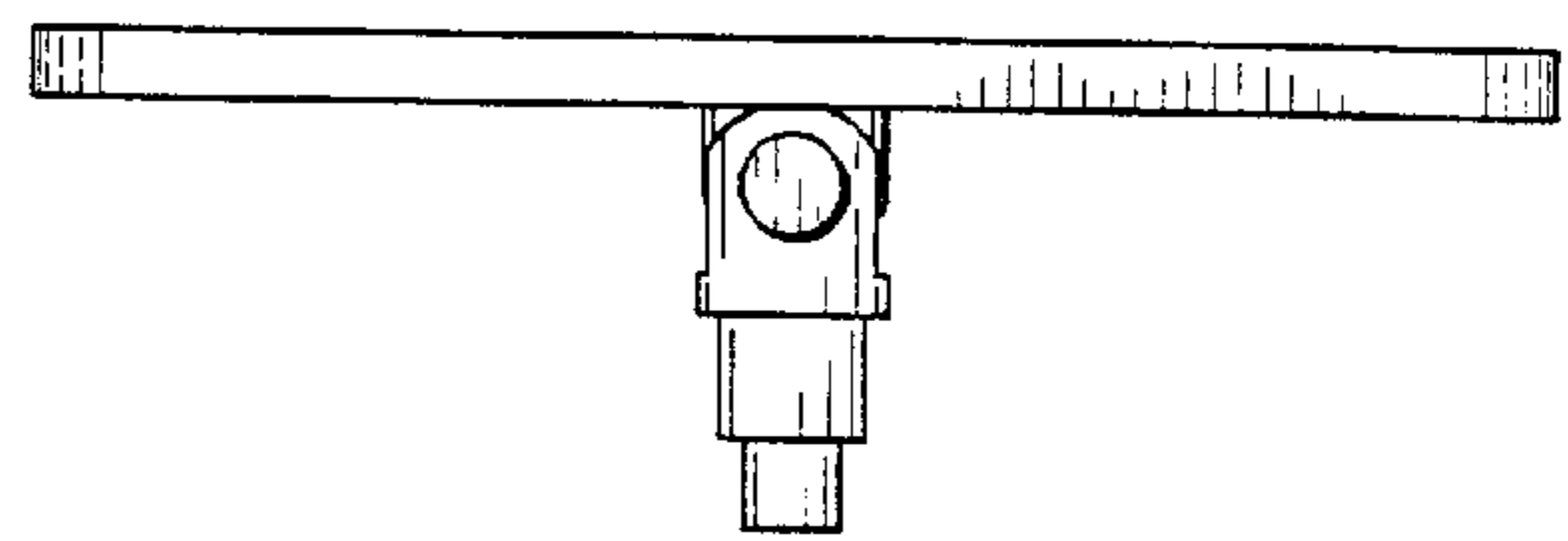


FIG. 4

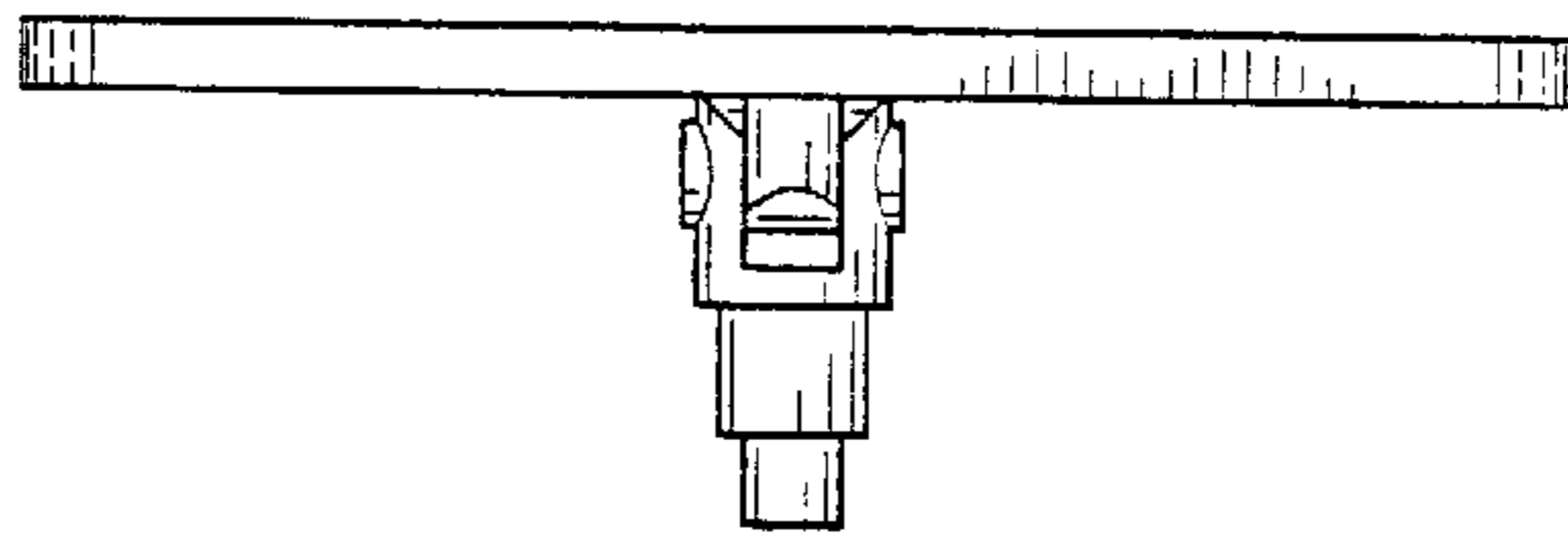


FIG. 5

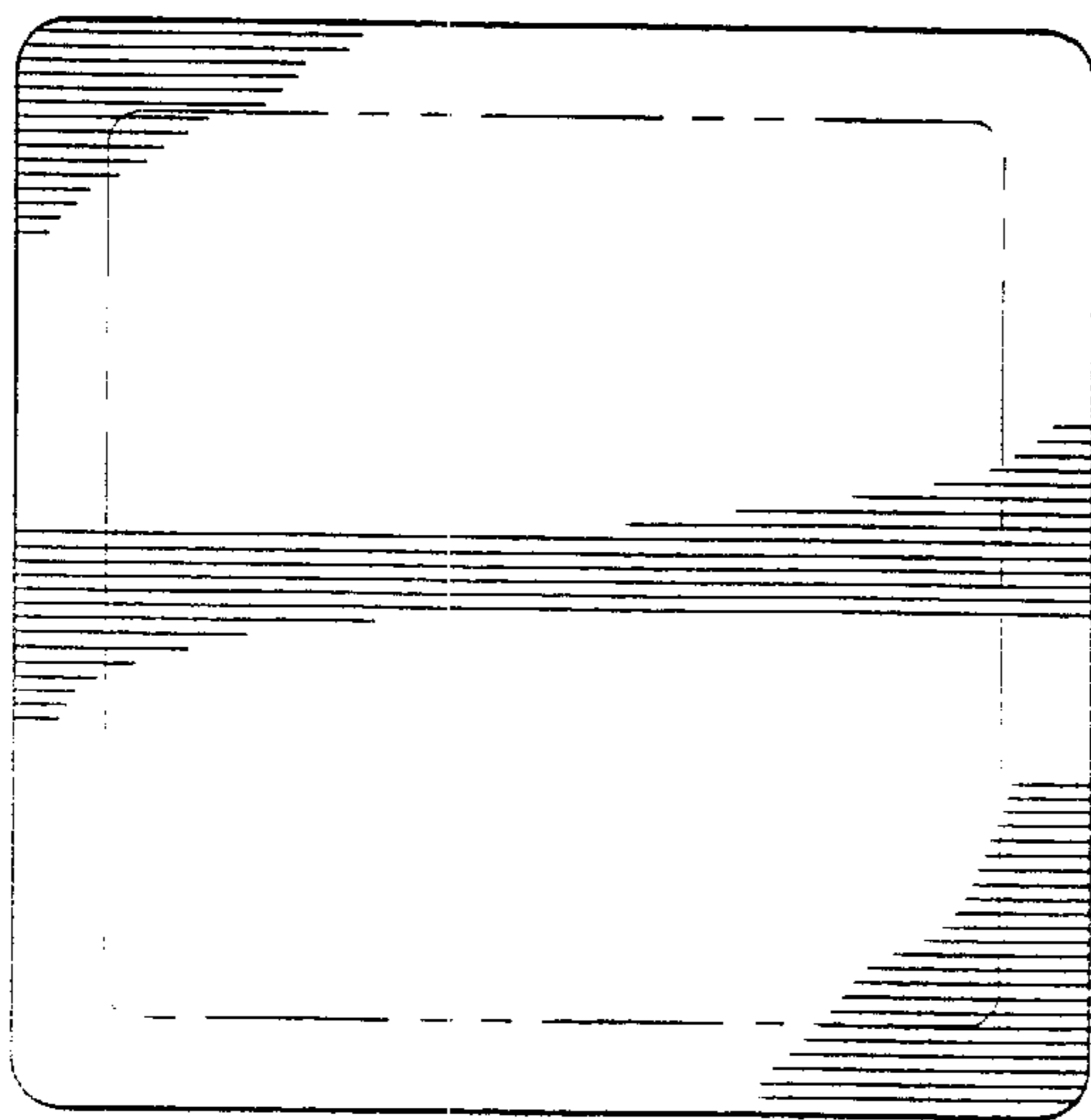


FIG. 6

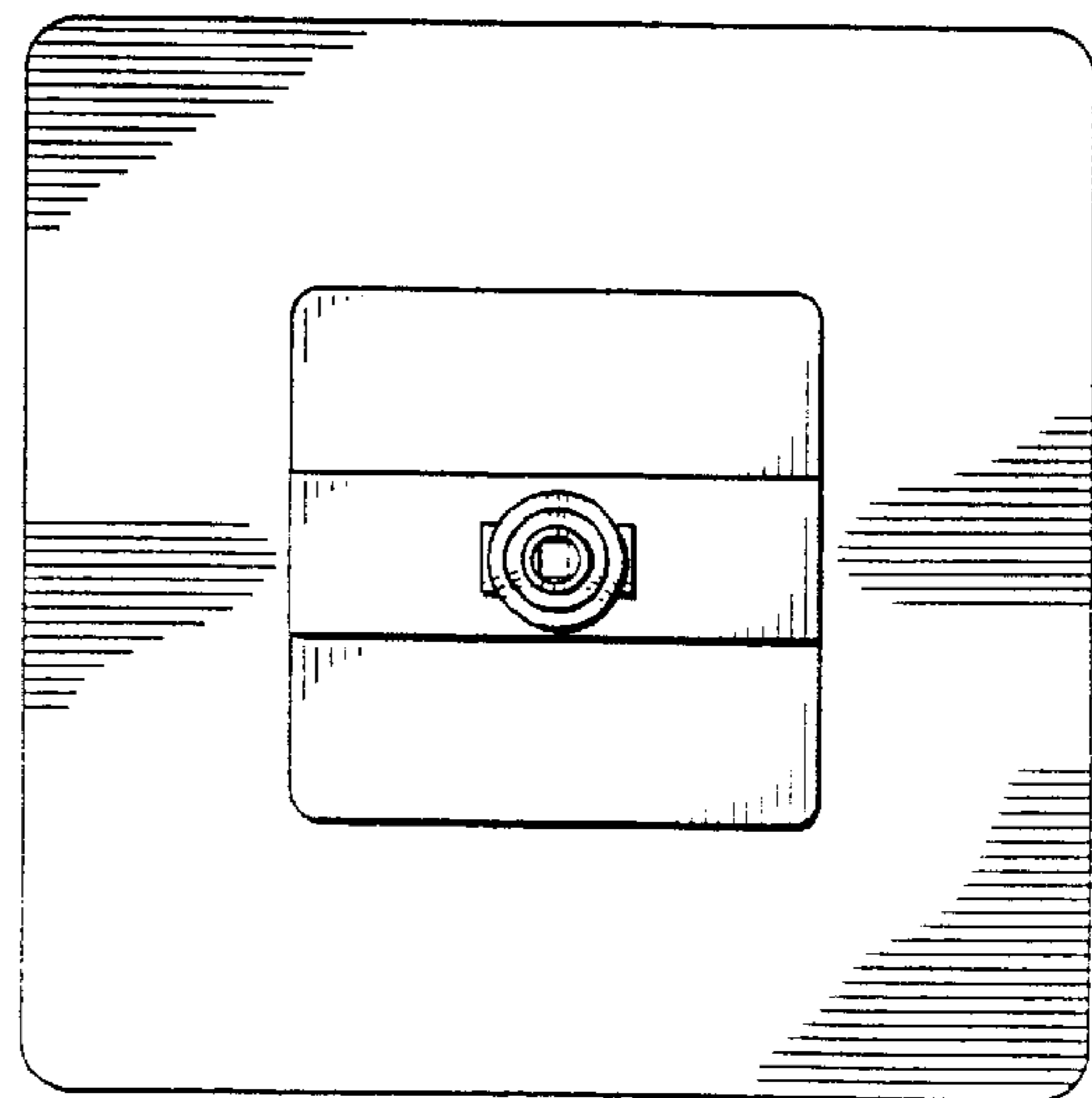


FIG. 7