



US00D533295S

(12) **United States Design Patent**
Chen

(10) **Patent No.:** **US D533,295 S**

(45) **Date of Patent:** **** Dec. 5, 2006**

(54) **SOLAR LAMP**

(75) Inventor: **Chi Gon Chen**, Guang Zhou (CN)

(73) Assignee: **International Development Corp.**,
Roanoke, TX (US)

(**) Term: **14 Years**

(21) Appl. No.: **29/240,589**

(22) Filed: **Oct. 14, 2005**

(51) **LOC (8) Cl.** **26-05**

(52) **U.S. Cl.** **D26/67**

(58) **Field of Classification Search** D26/67-71;
362/152, 183, 431, 410-415

See application file for complete search history.

(56) **References Cited**

U.S. PATENT DOCUMENTS

D197,438 S	*	2/1964	Harling et al.	D26/67
D329,100 S	*	9/1992	Hall et al.	D26/67
D346,873 S	*	5/1994	Frost	D26/67
D492,055 S	*	6/2004	Hon et al.	D26/67
D497,021 S	*	10/2004	Pu	D26/67
D499,831 S	*	12/2004	Chen	D26/68
D500,159 S	*	12/2004	Chen	D26/68
D503,008 S	*	3/2005	Chen	D26/68

D505,508 S	*	5/2005	Chen	D26/67
D506,019 S	*	6/2005	Chen	D26/67
2003/0081406 A1	*	5/2003	Lin	362/96

* cited by examiner

Primary Examiner—Clare E Heflin

(74) *Attorney, Agent, or Firm*—Strasburger & Price, LLP

(57) **CLAIM**

I claim the ornamental design for a solar lamp, as shown and described.

DESCRIPTION

FIG. 1 is a perspective view of a solar lamp showing my design;

FIG. 2 is a front elevational view of the solar lamp with the rear elevation being identical thereto;

FIG. 3 is a top plan view of the solar lamp;

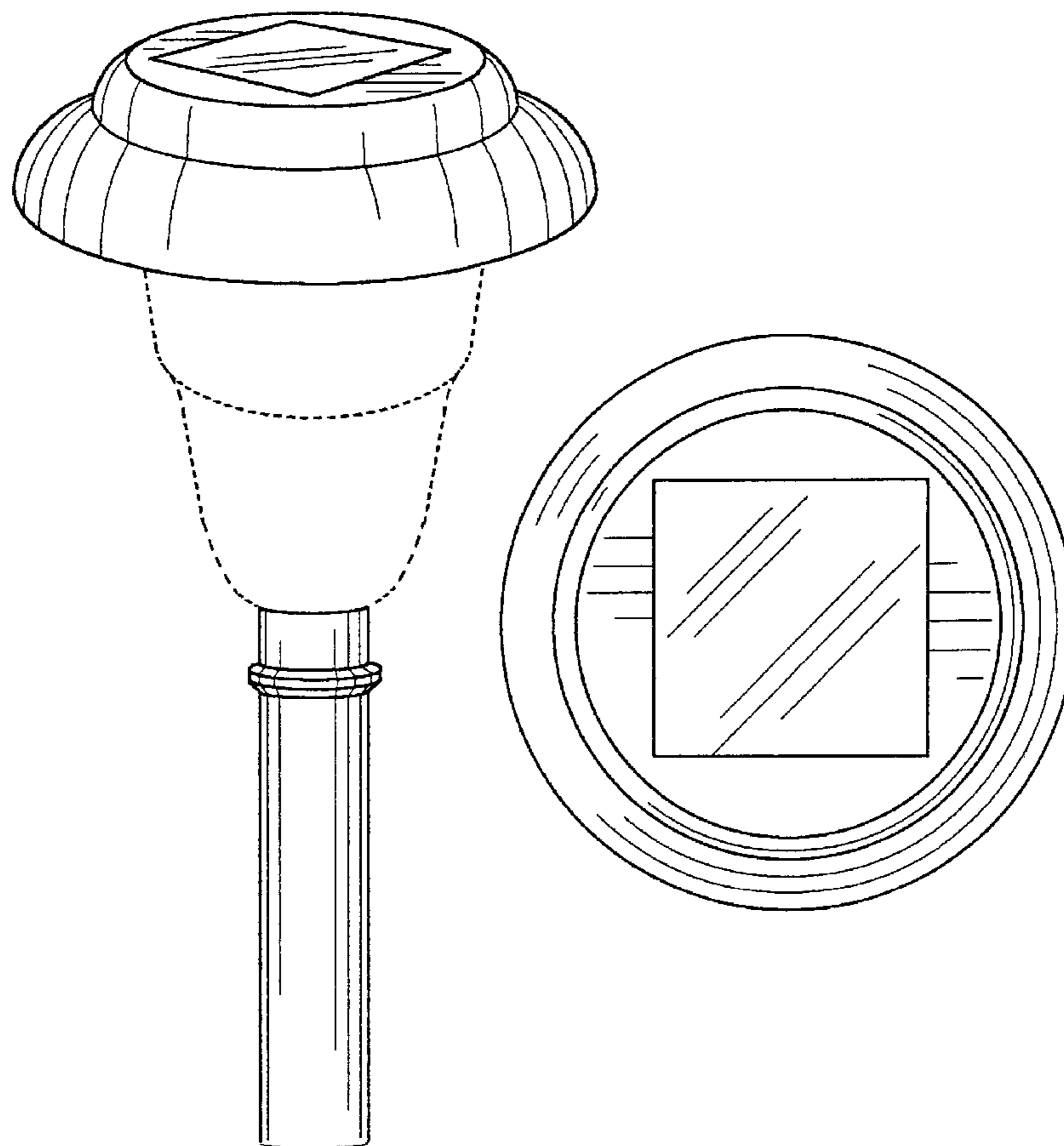
FIG. 4 is a left side elevational view of the solar lamp with the right side elevation being identical thereto; and,

FIG. 5 is a bottom plan view of the solar lamp.

The broken lines showing a lens associated with the solar lamp are for illustrative purposes only and form no part of the claimed design.

The broken line that defines the bounds of the claimed design forms no part thereof.

1 Claim, 3 Drawing Sheets



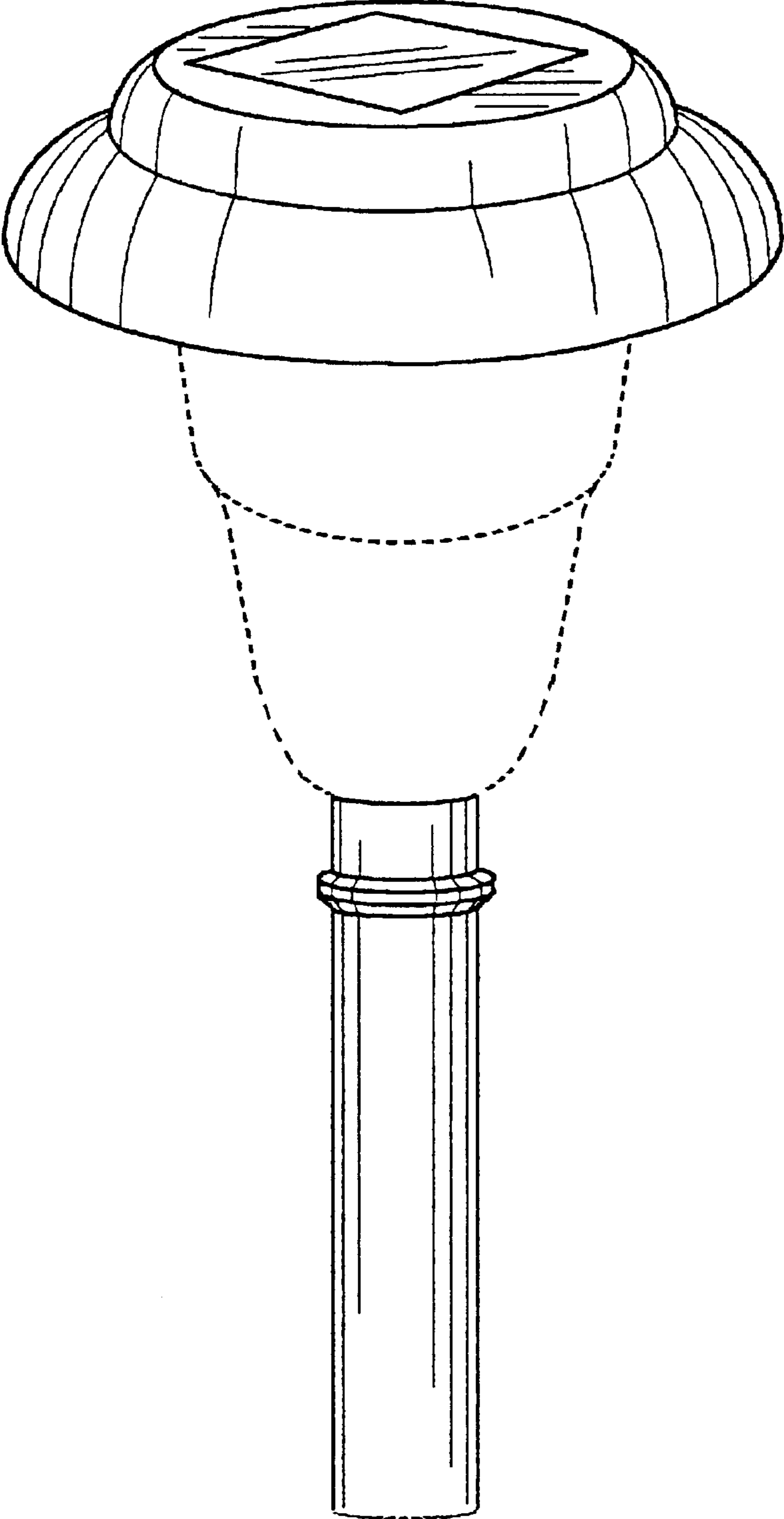


Fig. 1

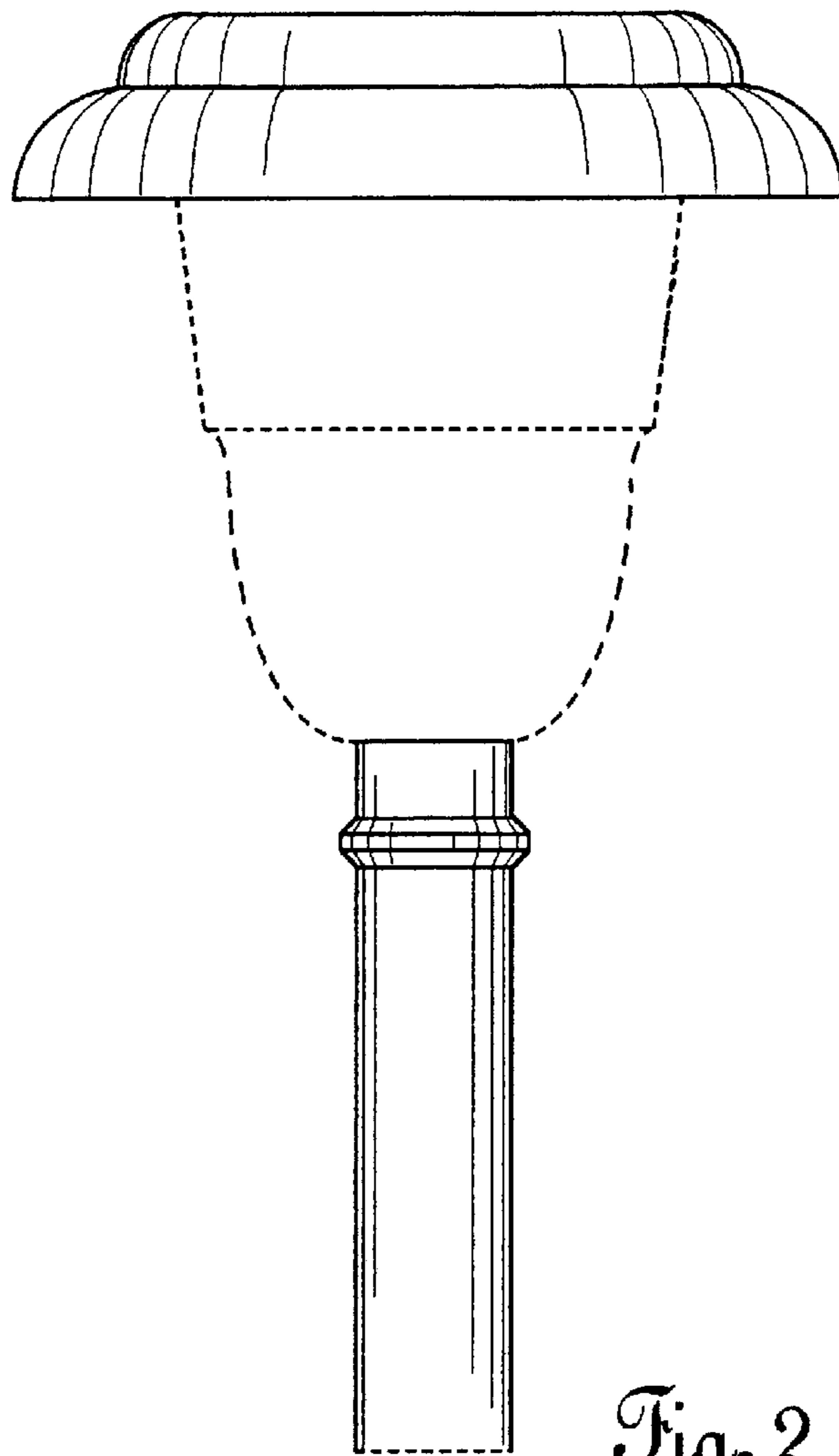


Fig. 2

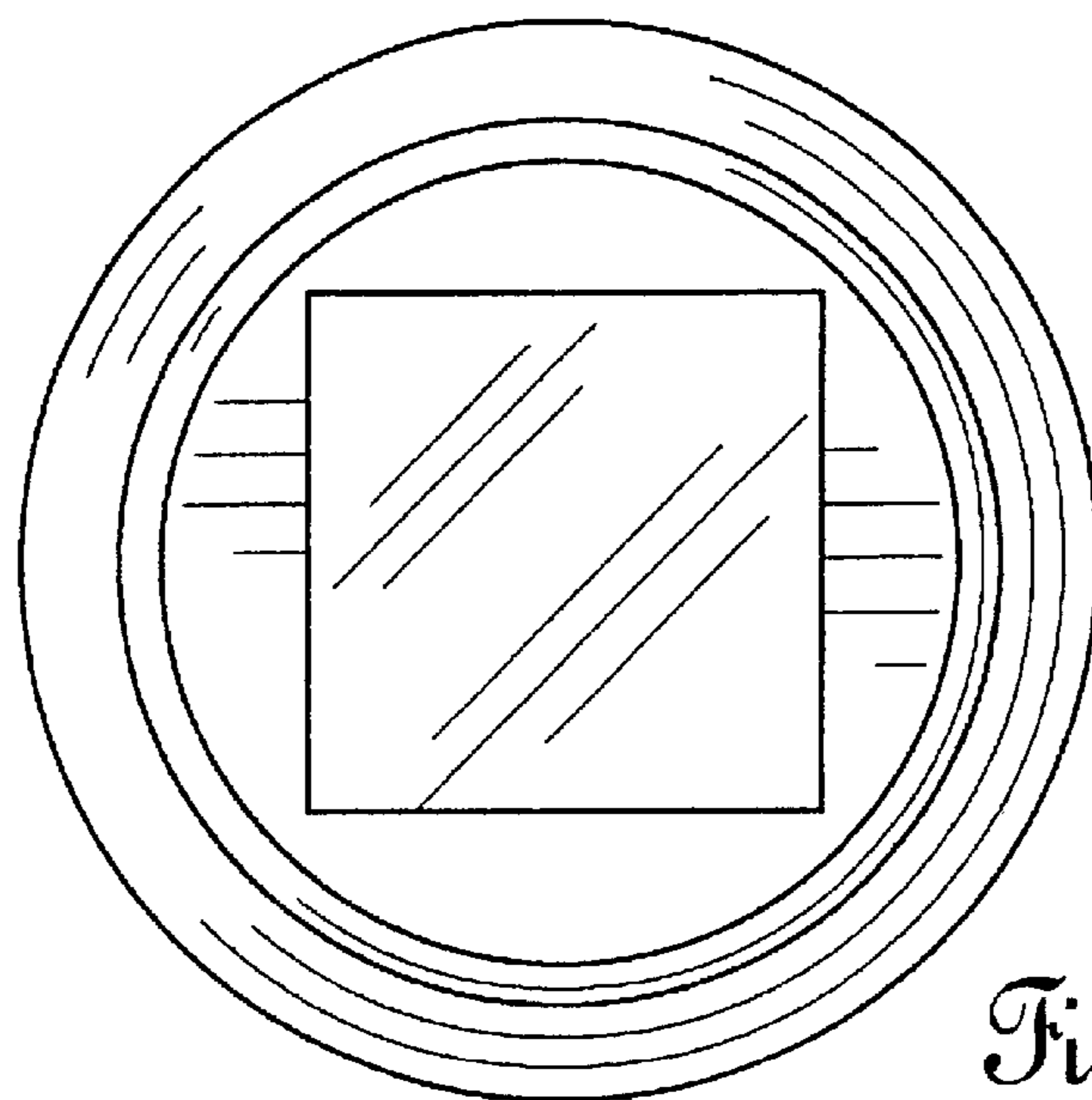


Fig. 3

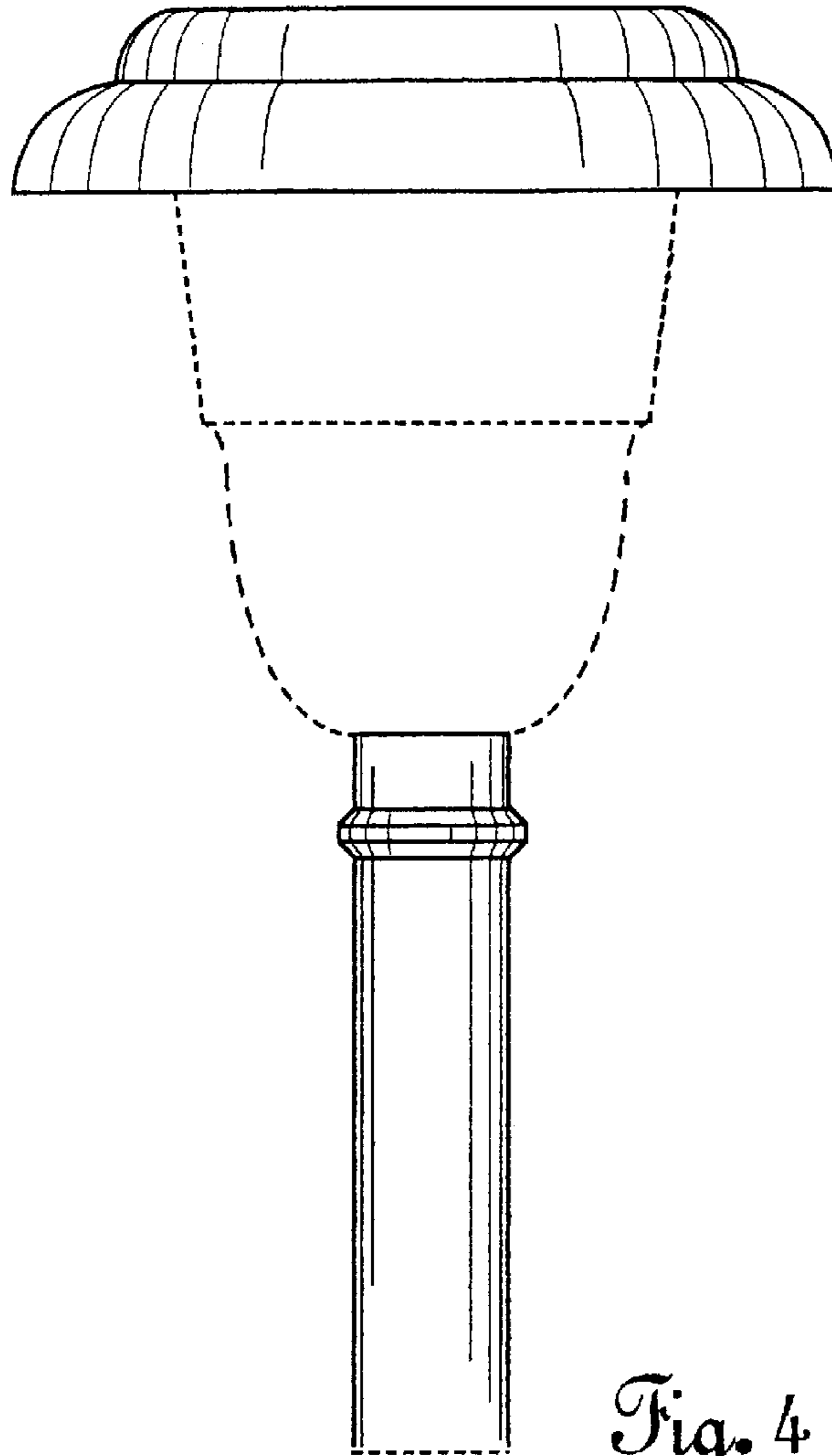


Fig. 4

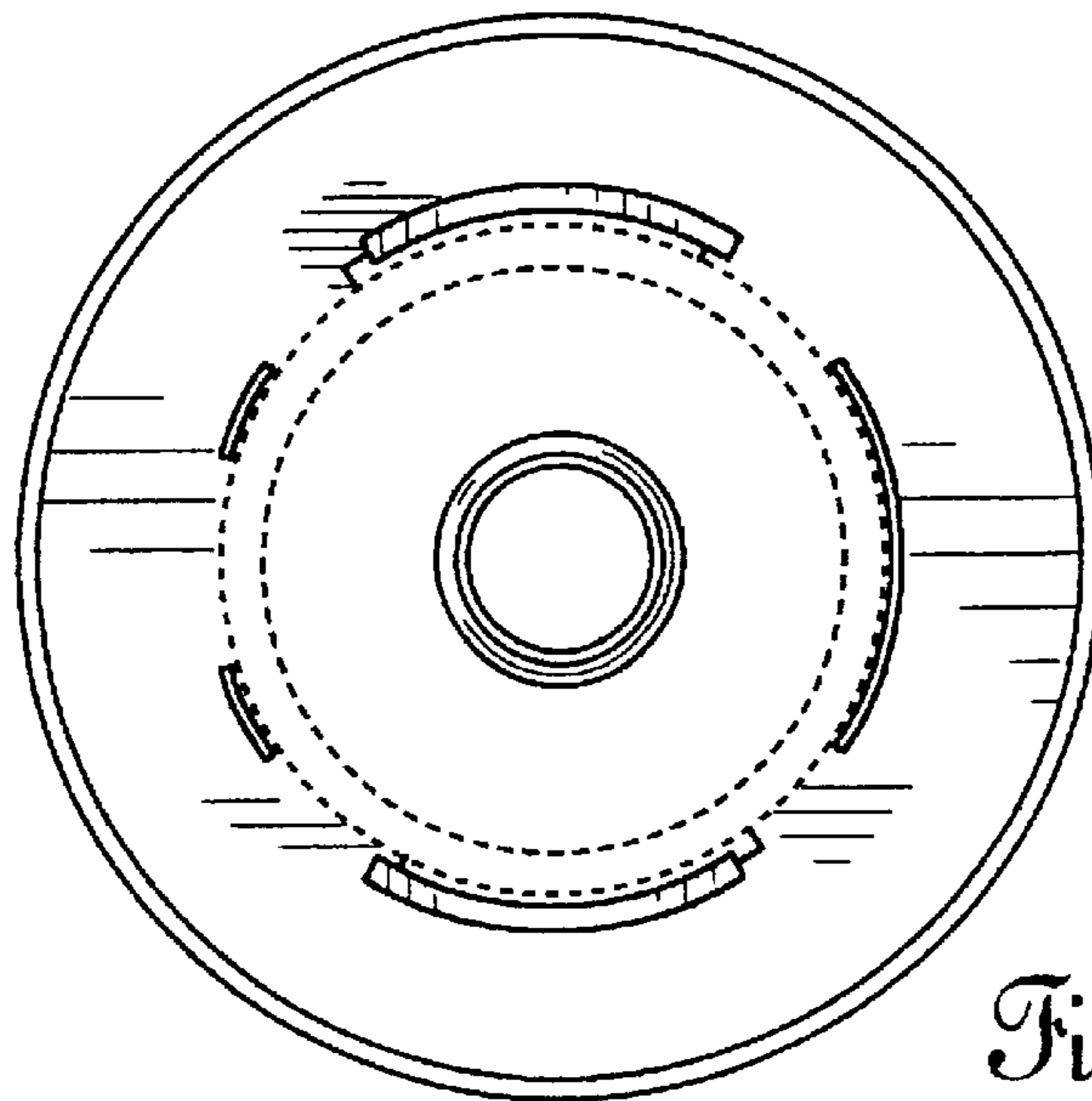


Fig. 5