



US00D533293S

(12) **United States Design Patent**  
**Chen**

(10) **Patent No.:** **US D533,293 S**

(45) **Date of Patent:** **\*\* Dec. 5, 2006**

(54) **SOLAR LAMP**

(75) Inventor: **Chi Gon Chen**, Guang Zhou (CN)

(73) Assignee: **International Development Corp.**,  
Roanoke, TX (US)

(\*\*) Term: **14 Years**

(21) Appl. No.: **29/240,583**

(22) Filed: **Oct. 14, 2005**

(51) **LOC (8) Cl.** ..... **26-05**

(52) **U.S. Cl.** ..... **D26/67**

(58) **Field of Classification Search** ..... D26/67-71;  
362/152, 183, 431, 410-415

See application file for complete search history.

(56) **References Cited**

U.S. PATENT DOCUMENTS

- D184,226 S \* 1/1959 Guggemos ..... D26/68
- D310,887 S \* 9/1990 Paris ..... D26/68
- D382,662 S \* 8/1997 Shalvi ..... D26/68

- D435,128 S \* 12/2000 Nicholas ..... D26/67
- D456,547 S \* 4/2002 Leen ..... D26/67

\* cited by examiner

*Primary Examiner*—Clare E Heflin

(74) *Attorney, Agent, or Firm*—Strasburger & Price, LLP

(57) **CLAIM**

I claim the design for a solar lamp, as shown and described.

**DESCRIPTION**

FIG. 1 is a perspective view of a solar lamp showing my design;

FIG. 2 is a top plan view of the solar lamp;

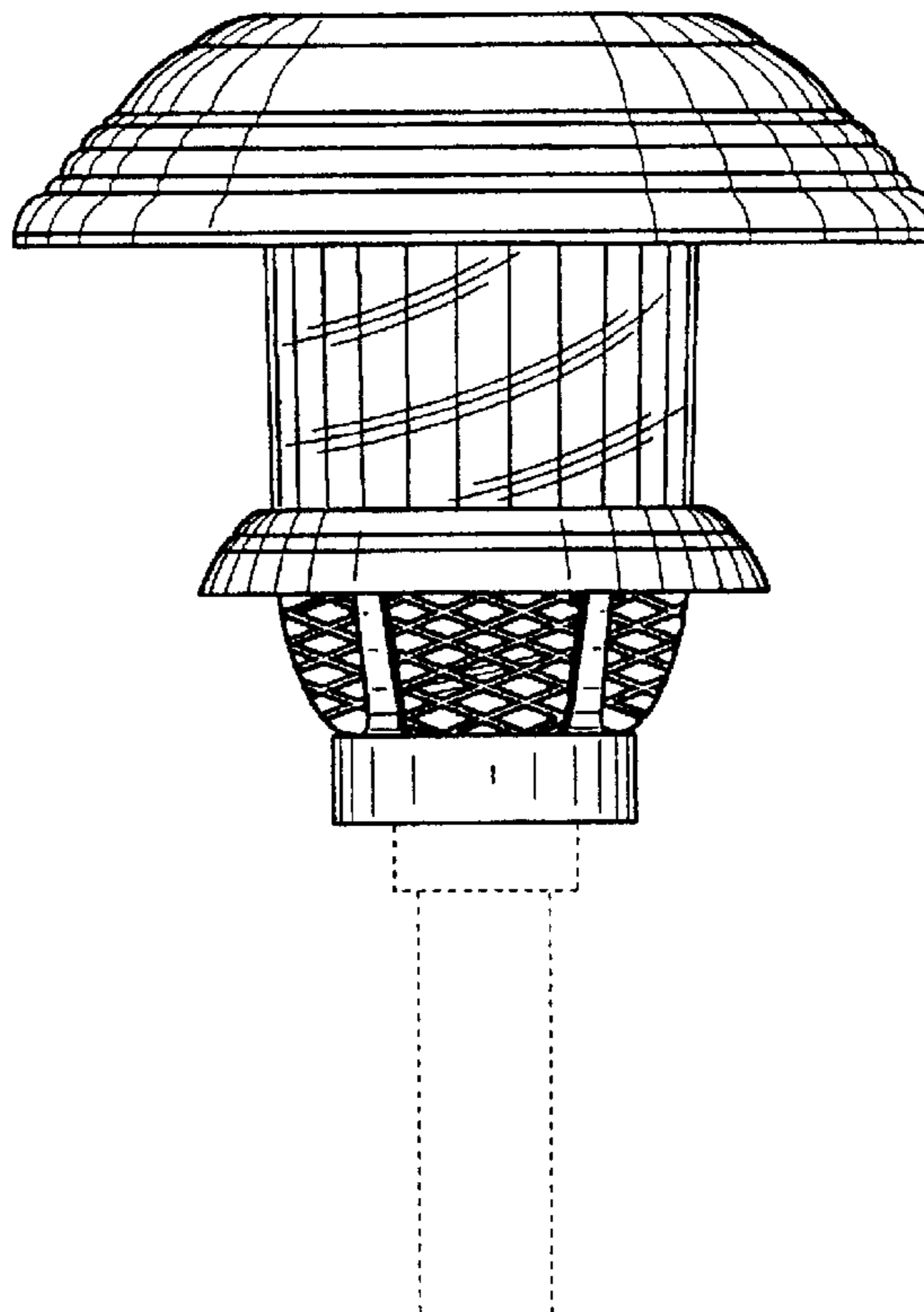
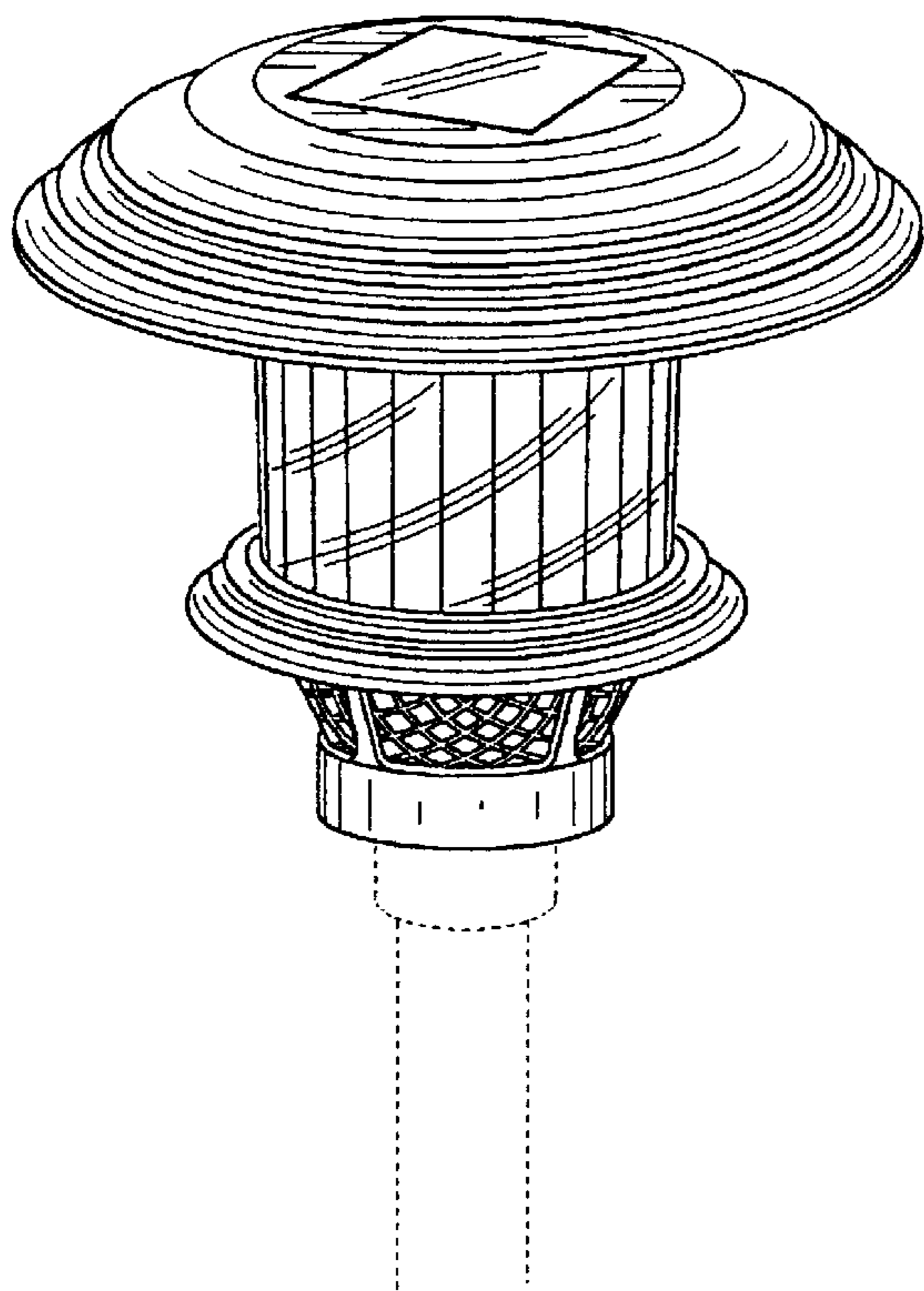
FIG. 3 is a left side elevational view of the solar lamp with the right side elevation being identical thereto;

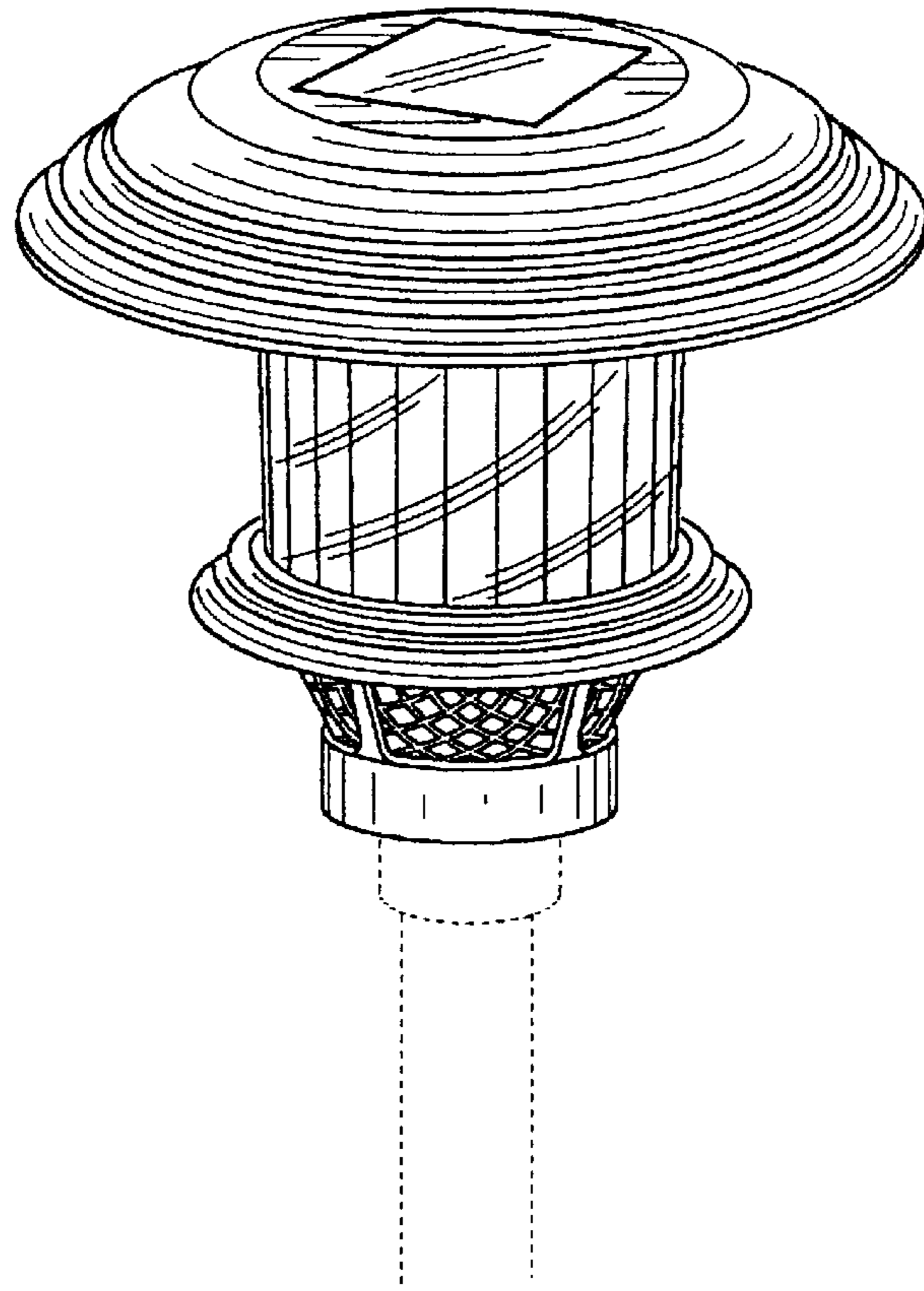
FIG. 4 is a rear elevational view of the solar lamp with the front elevation being identical thereto; and,

FIG. 5 is a bottom plan view of the solar lamp.

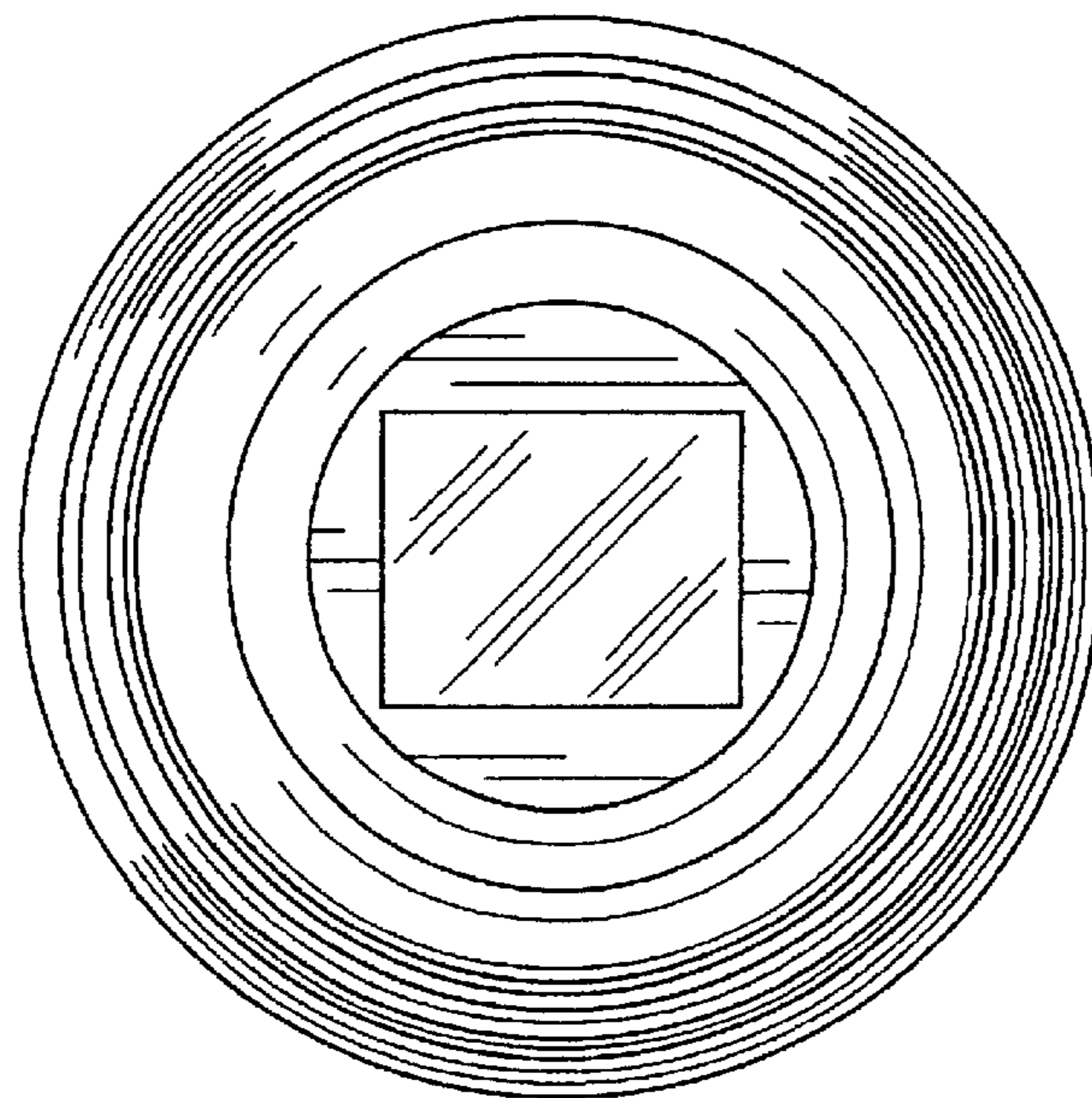
The broken lines showing a stand associated with the solar lamp are for illustrative purposes only and form no part of the claimed design.

**1 Claim, 2 Drawing Sheets**

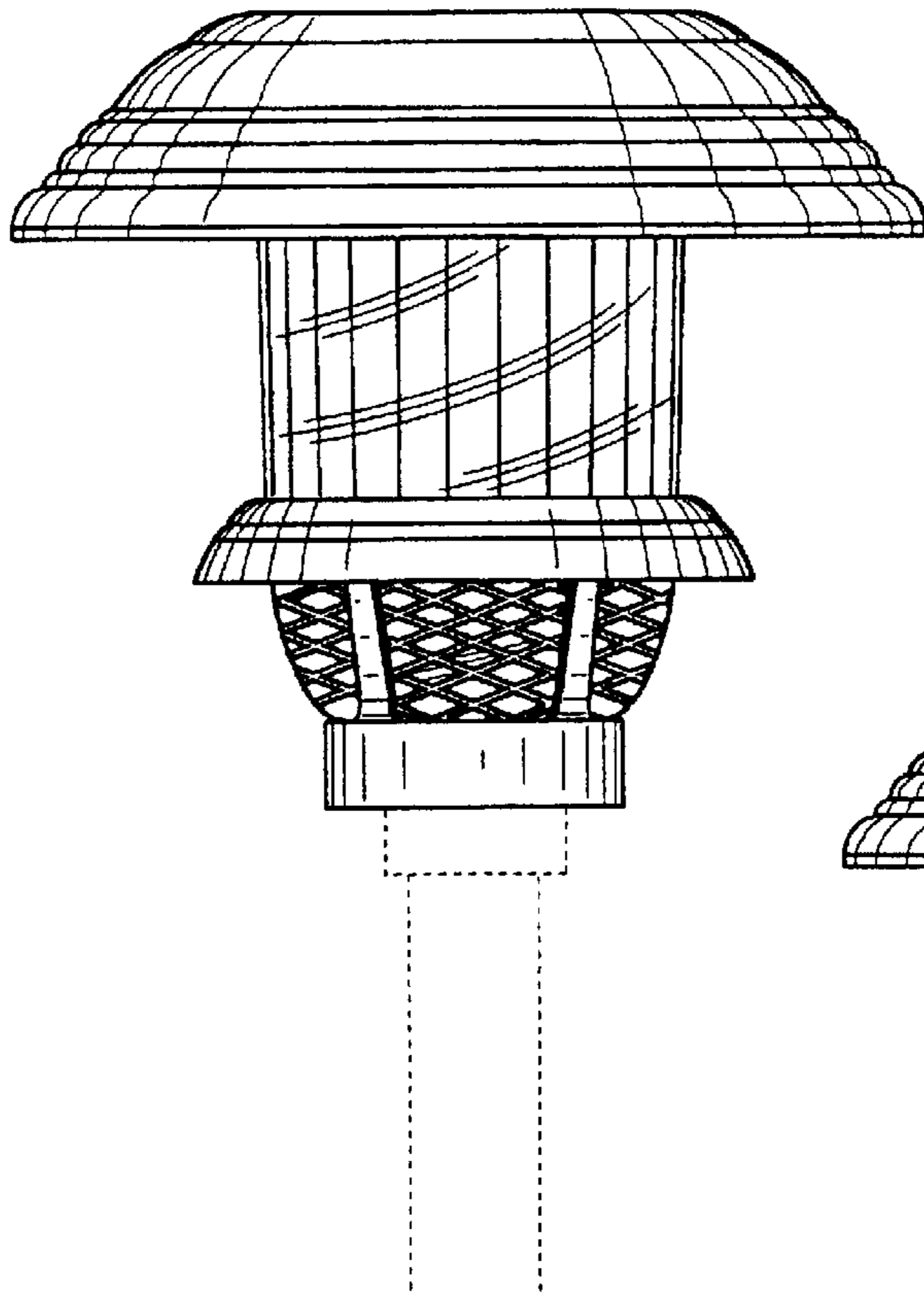




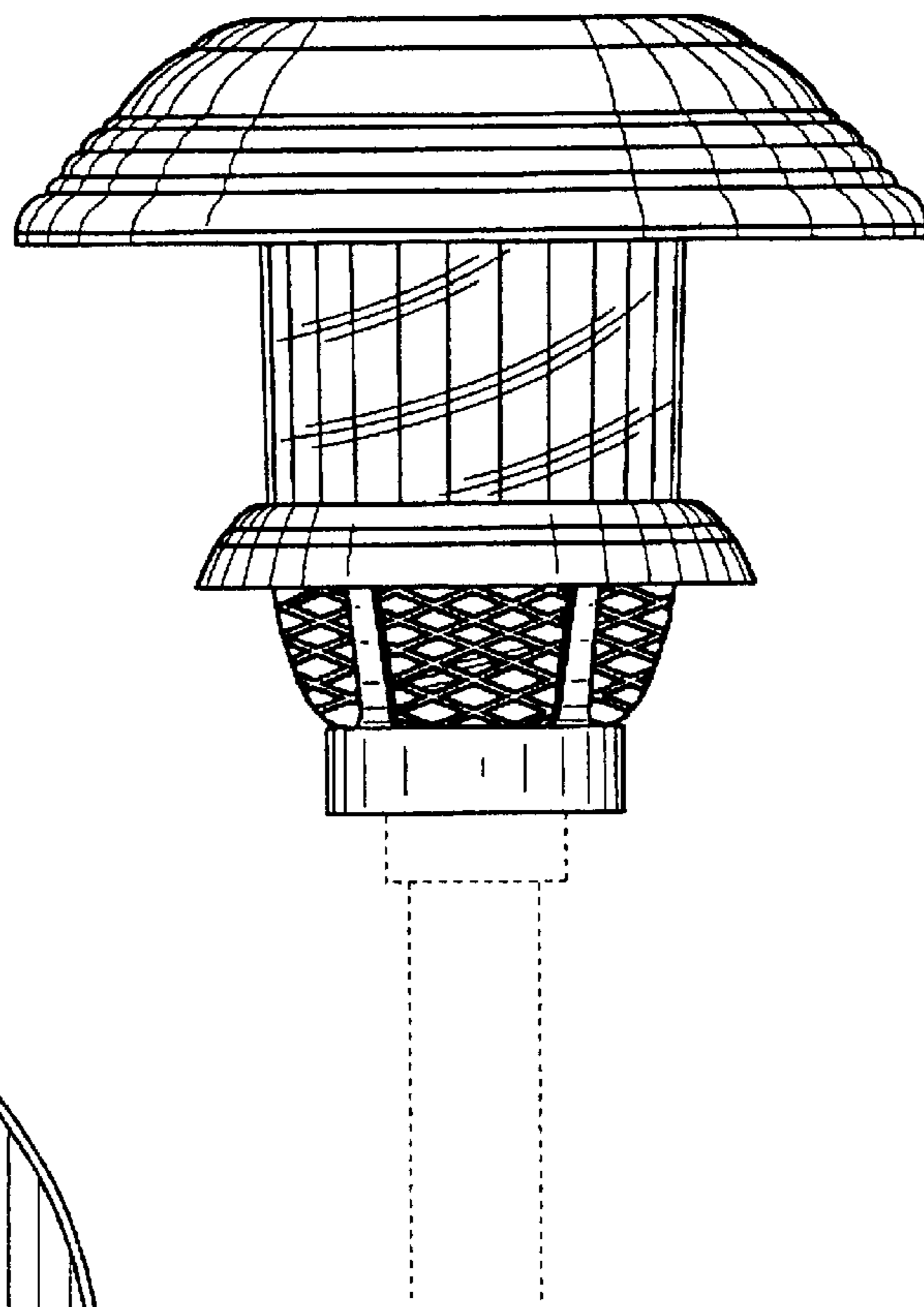
*Fig. 1*



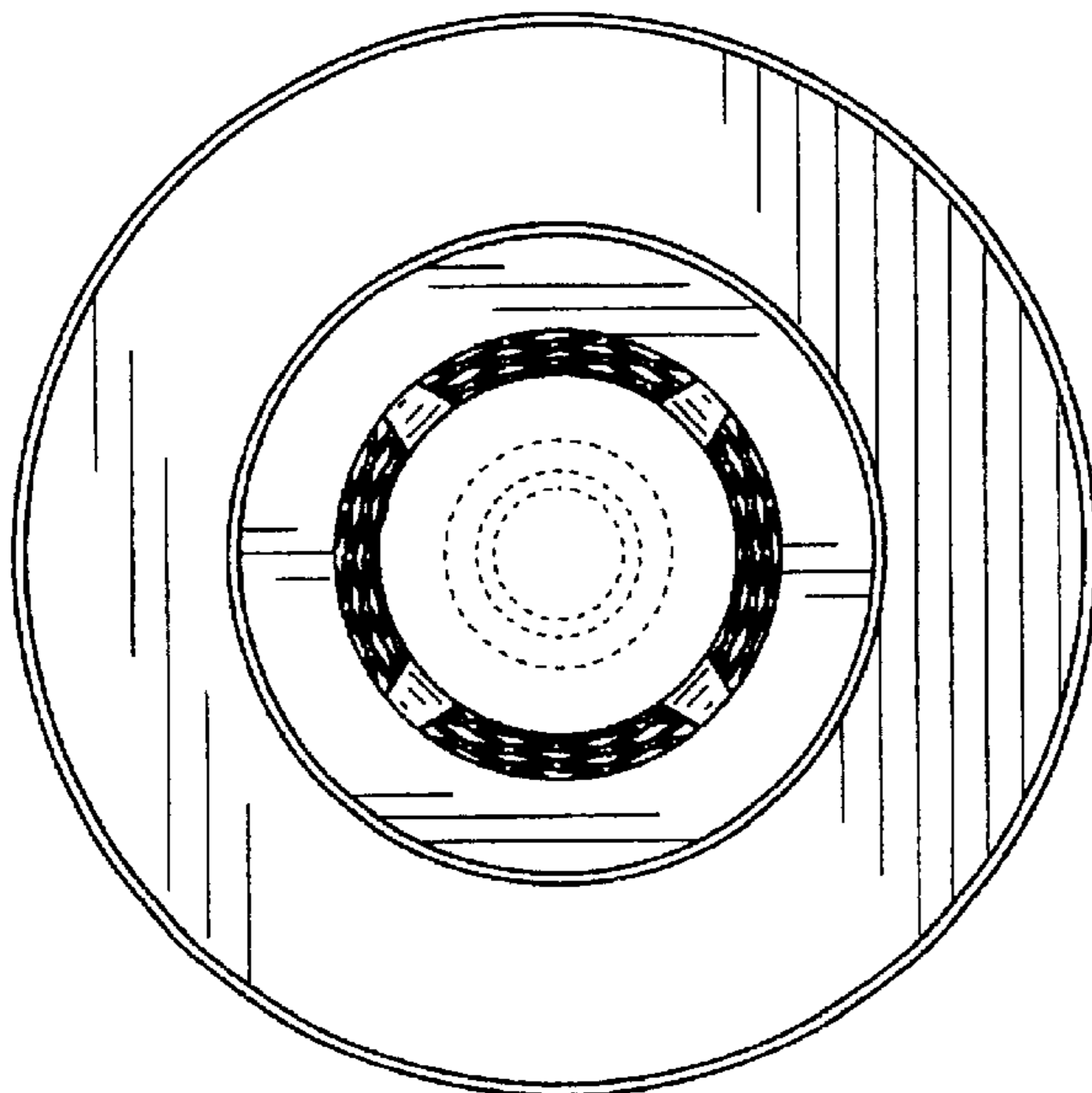
*Fig. 2*



*Fig. 3*



*Fig. 4*



*Fig. 5*