



US00D533291S

(12) **United States Design Patent**  
**Penke et al.**

(10) **Patent No.:** **US D533,291 S**

(45) **Date of Patent:** **\*\* Dec. 5, 2006**

(54) **PAIR OF FRONT SIDE ILLUMINATION  
SCONCES FOR A COMMUNITY  
COMMUNICATION HUB KIOSK**

(75) Inventors: **Mark S. Penke**, West Henrietta, NY  
(US); **Donald A. Brown**, Honeoye  
Falls, NY (US)

(73) Assignee: **Xerox Corporation**, Stamford, CT  
(US)

(\*\*) Term: **14 Years**

(21) Appl. No.: **29/192,795**

(22) Filed: **Oct. 30, 2003**

(51) **LOC (8) Cl.** ..... **26-05**

(52) **U.S. Cl.** ..... **D26/51; D26/58; D26/85**

(58) **Field of Classification Search** ..... D26/72,  
D26/74, 80-92, 51, 58; 362/147, 125, 127,  
362/362, 364, 432

See application file for complete search history.

(56) **References Cited**

**U.S. PATENT DOCUMENTS**

D78,477 S	*	5/1929	McFadden	.....	D26/85
D85,517 S	*	11/1931	Ecker	.....	D26/24
D170,188 S	*	8/1953	Flood, Jr.	.....	D26/85
D194,299 S	*	12/1962	Brach	.....	D26/58

4,352,149 A	*	9/1982	Stetler	.....	362/96
D320,668 S	*	10/1991	von Kluck	.....	D26/85
D323,906 S	*	2/1992	Miranda et al.	.....	D26/85
D398,415 S	*	9/1998	Markee	.....	D26/87
D402,074 S	*	12/1998	Crosby	.....	D26/85
6,116,748 A	*	9/2000	George	.....	362/145
D468,047 S	*	12/2002	Lara	.....	D26/85

\* cited by examiner

*Primary Examiner*—Clare E Heflin

(74) *Attorney, Agent, or Firm*—Tallam I. Nguti

(57) **CLAIM**

The ornamental design for pair of front side illumination sconces for a community communication hub kiosk, as shown and described.

**DESCRIPTION**

FIG. 1 is a perspective view showing the design of pair of front side illumination sconces for a community communication hub kiosk of the present invention;

FIG. 2 is a front side view thereof;

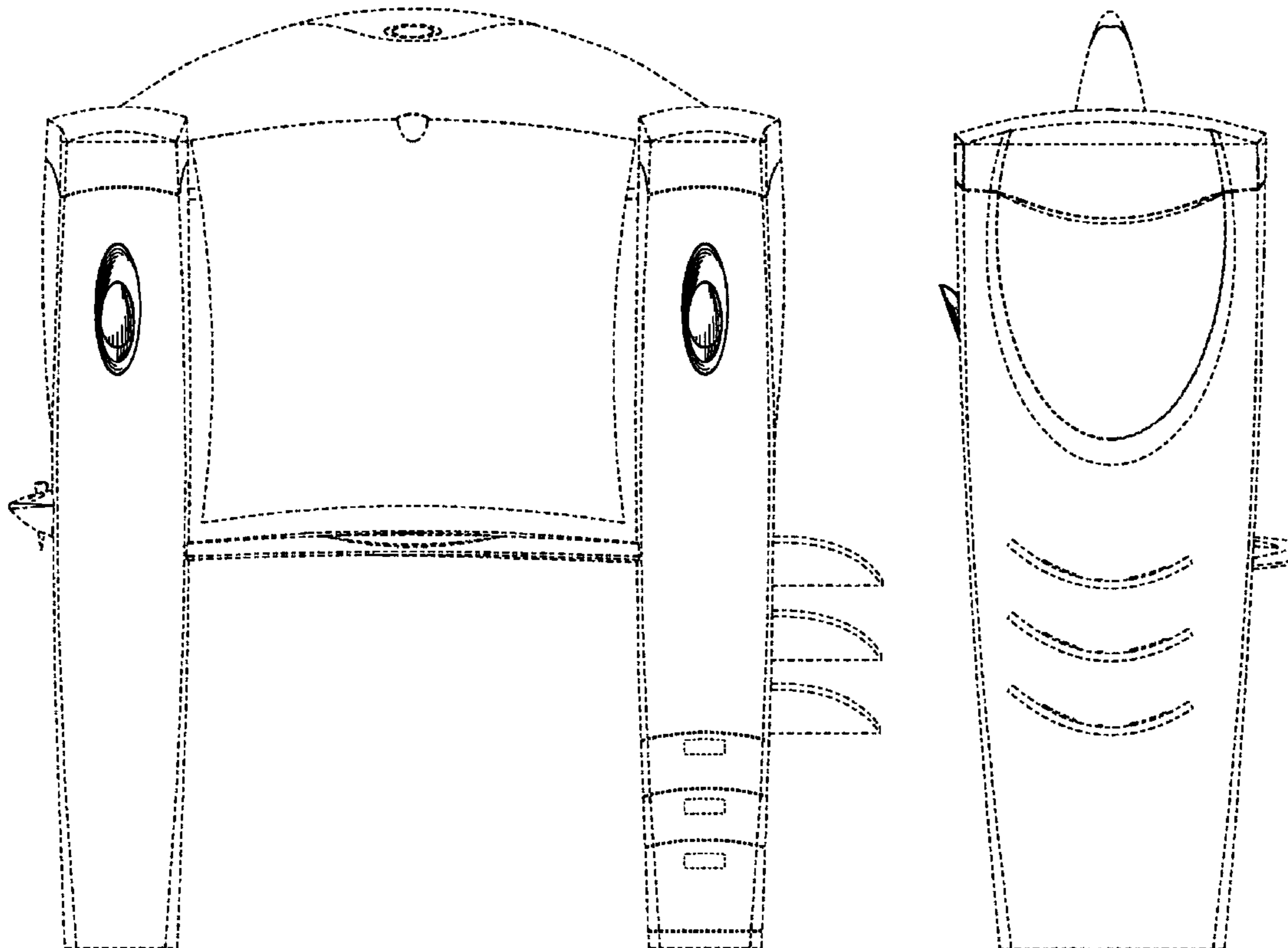
FIG. 3 is a right view thereof;

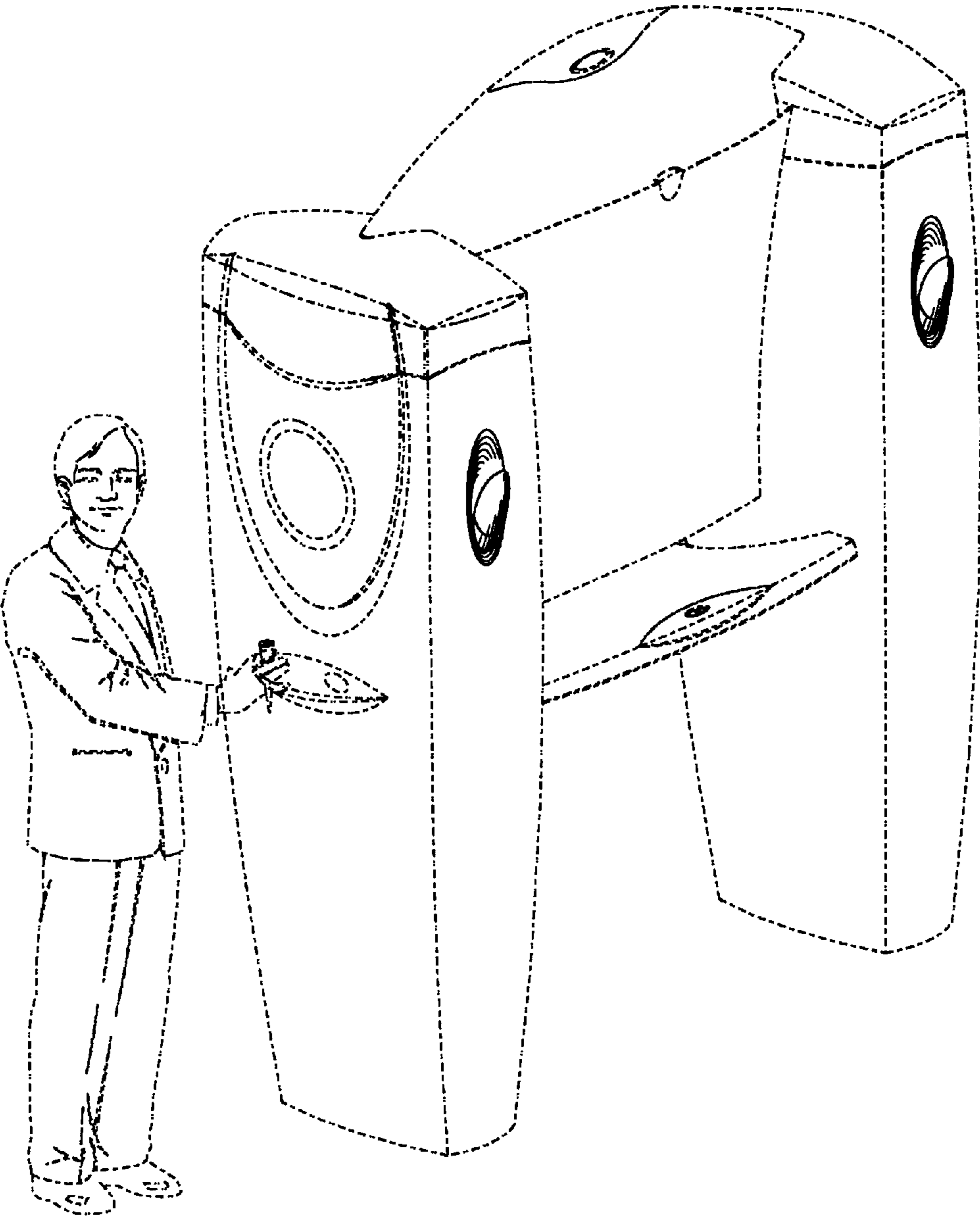
FIG. 4 is a left side view thereof; and,

FIG. 5 is a top plan view thereof.

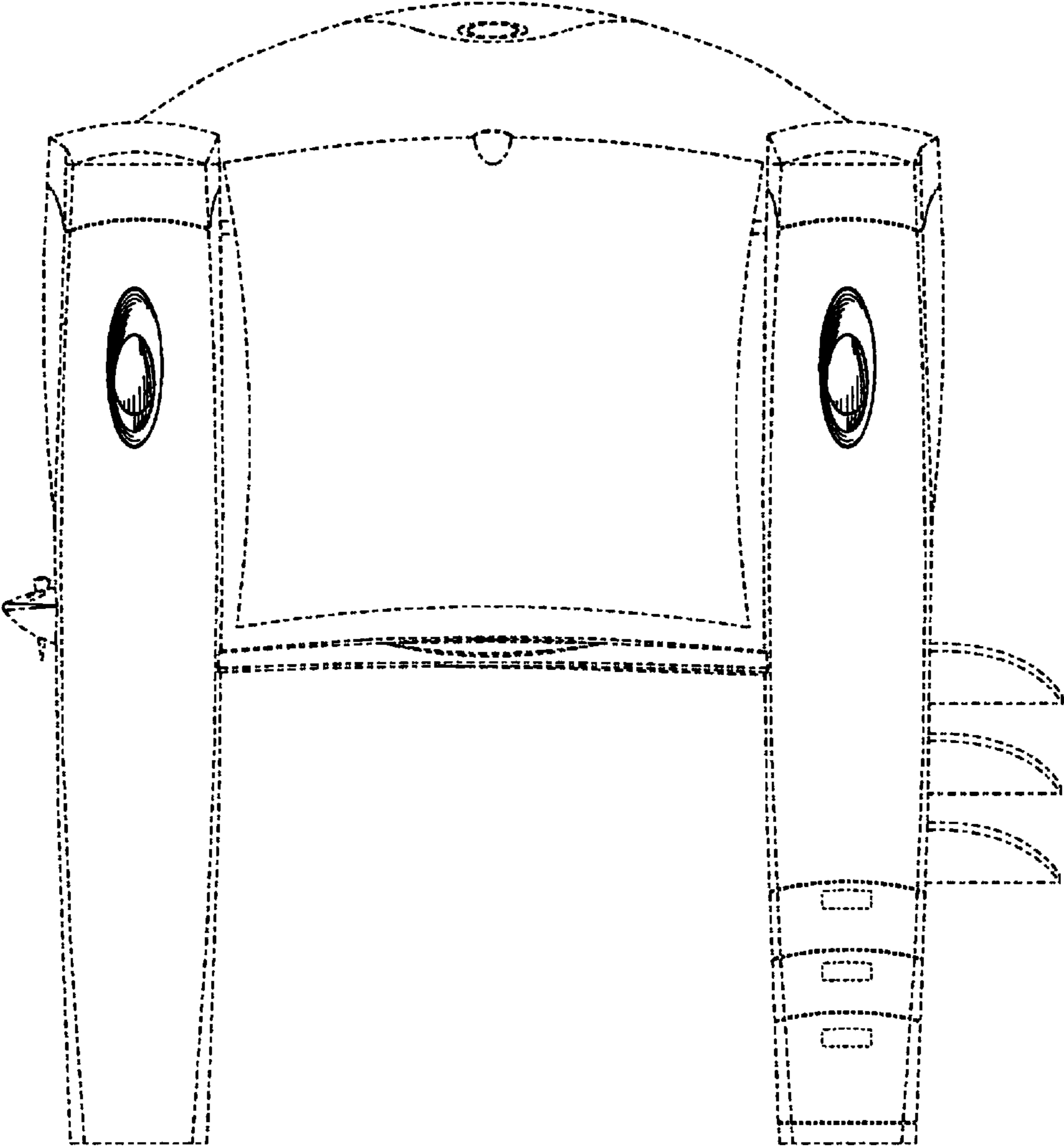
The broken lines showing in FIGS. 1-5 are for illustrative purposes only and do not form part of the claimed design.

**1 Claim, 5 Drawing Sheets**

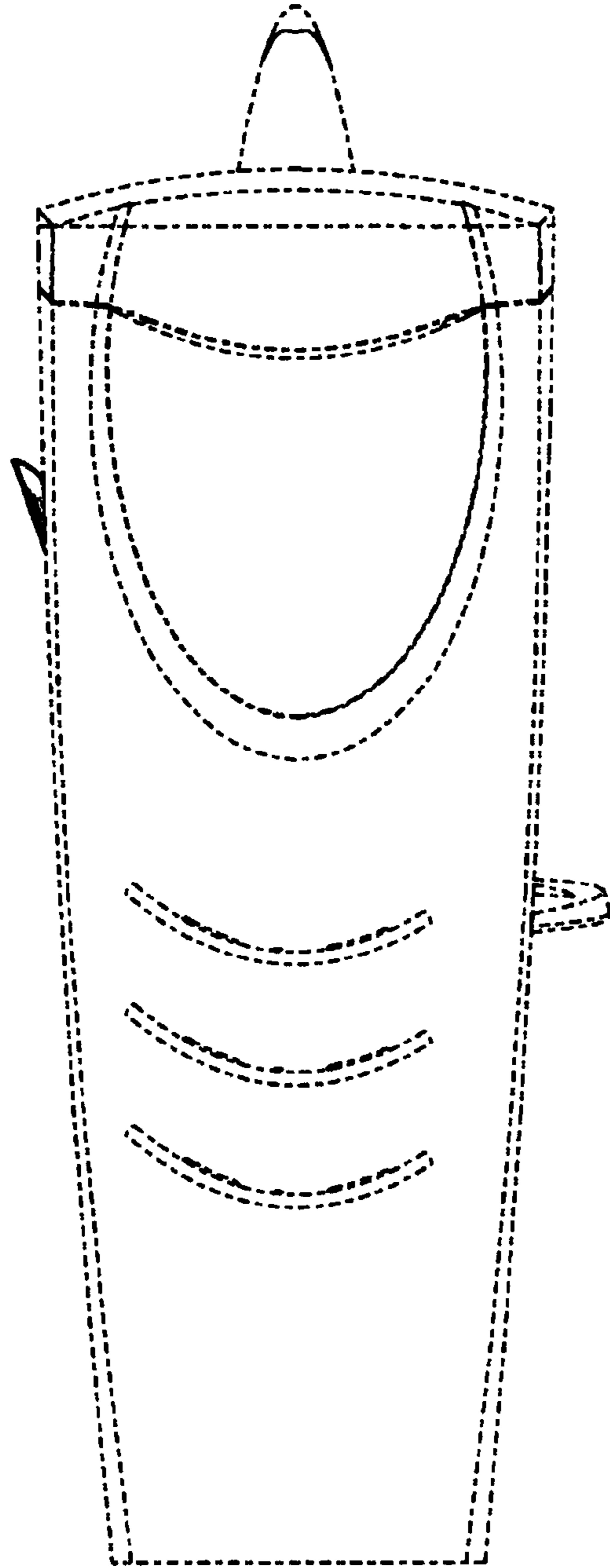




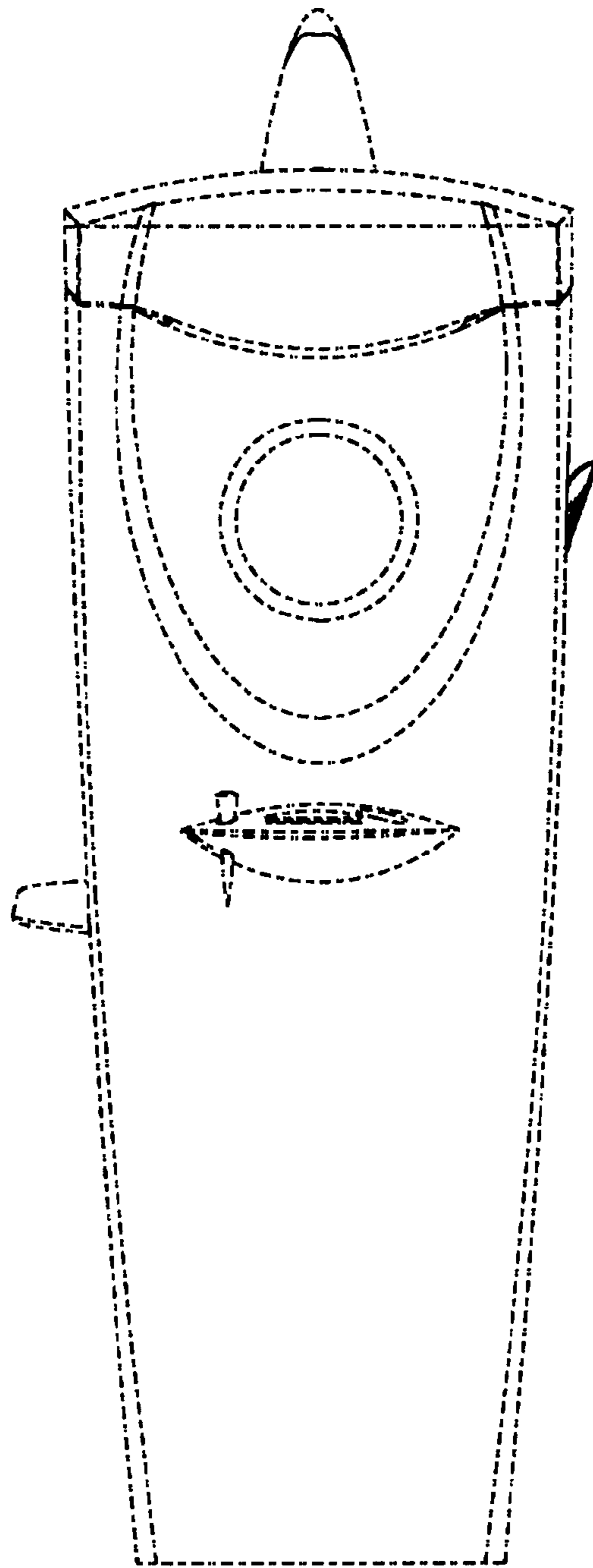
**FIG. 1**



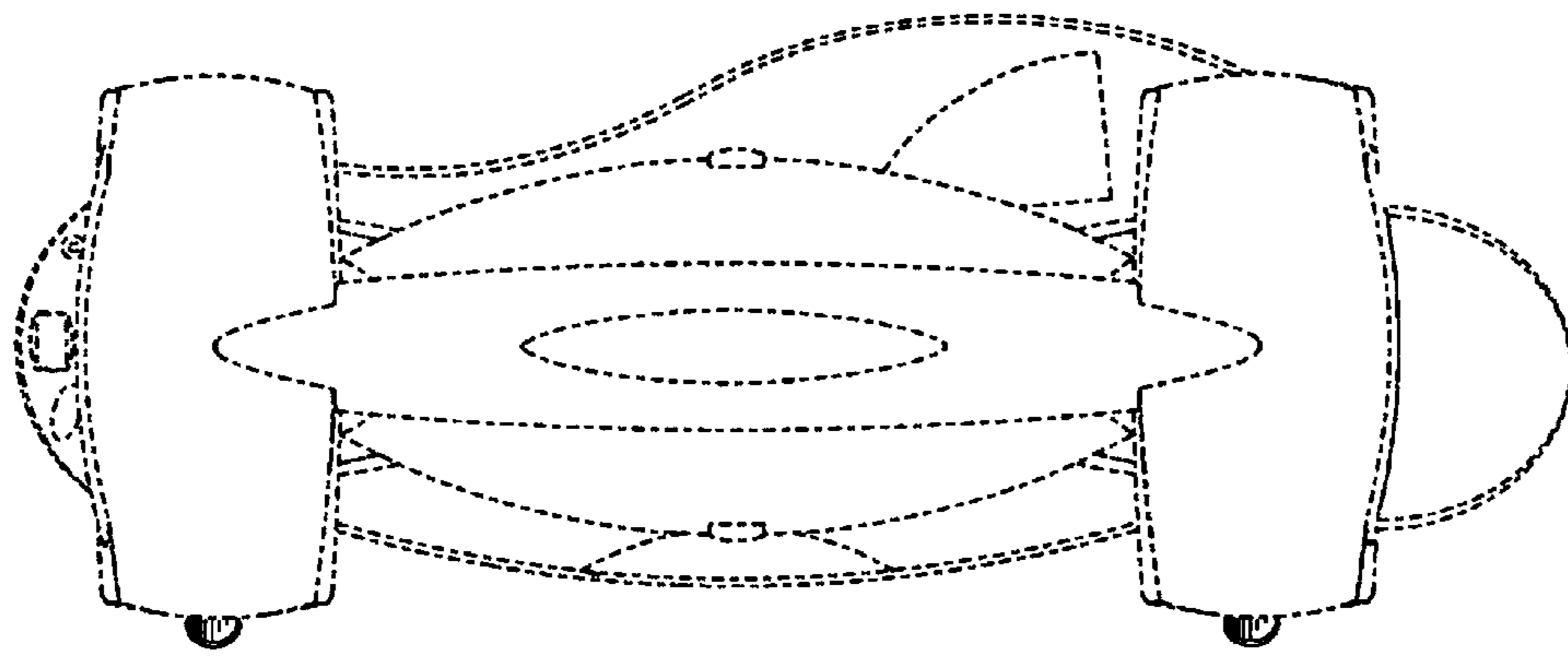
**FIG. 2**



**FIG. 3**



**FIG. 4**



**FIG. 5**