



US00D533289S

(12) **United States Design Patent**
Yuen

(10) **Patent No.:** **US D533,289 S**
(45) **Date of Patent:** **** Dec. 5, 2006**

(54) **HALOGEN SEARCHLIGHT WITH POWER STATION**

(75) Inventor: **Se Kit Yuen**, Hong Kong (HK)

(73) Assignee: **John Manufacturing Ltd.**, Kowloon (HK)

(**) Term: **14 Years**

(21) Appl. No.: **29/233,475**

(22) Filed: **Jul. 5, 2005**

(30) **Foreign Application Priority Data**

Apr. 14, 2005 (HK) 0500723

(51) **LOC (8) Cl.** **26-02**

(52) **U.S. Cl.** **D26/46**

(58) **Field of Classification Search** D26/37-50;
362/157, 158, 171-174, 183-208

See application file for complete search history.

(56) **References Cited**

U.S. PATENT DOCUMENTS

D443,089 S	*	5/2001	van Klinken	D26/46
D452,022 S	*	12/2001	Osiecki et al.	D26/48
D476,104 S	*	6/2003	Dalton et al.	D26/48
D493,556 S	*	7/2004	Yuen	D26/46
D514,722 S	*	2/2006	Shen	D26/46

* cited by examiner

Primary Examiner—Marcus A. Jackson

(74) *Attorney, Agent, or Firm*—Hedman & Costigan, P.C.

(57) **CLAIM**

The ornamental design for a halogen searchlight with power station, as shown and described.

DESCRIPTION

FIG. 1 is a perspective view of the present halogen searchlight with power station;

FIG. 2 is a front view of same;

FIG. 3 is a top view of the halogen searchlight with power station of FIG. 1;

FIG. 4 is a left side view of same;

FIG. 5 is a right side view of the halogen searchlight with power station of FIG. 1;

FIG. 6 is a bottom view of the present halogen searchlight with power station;

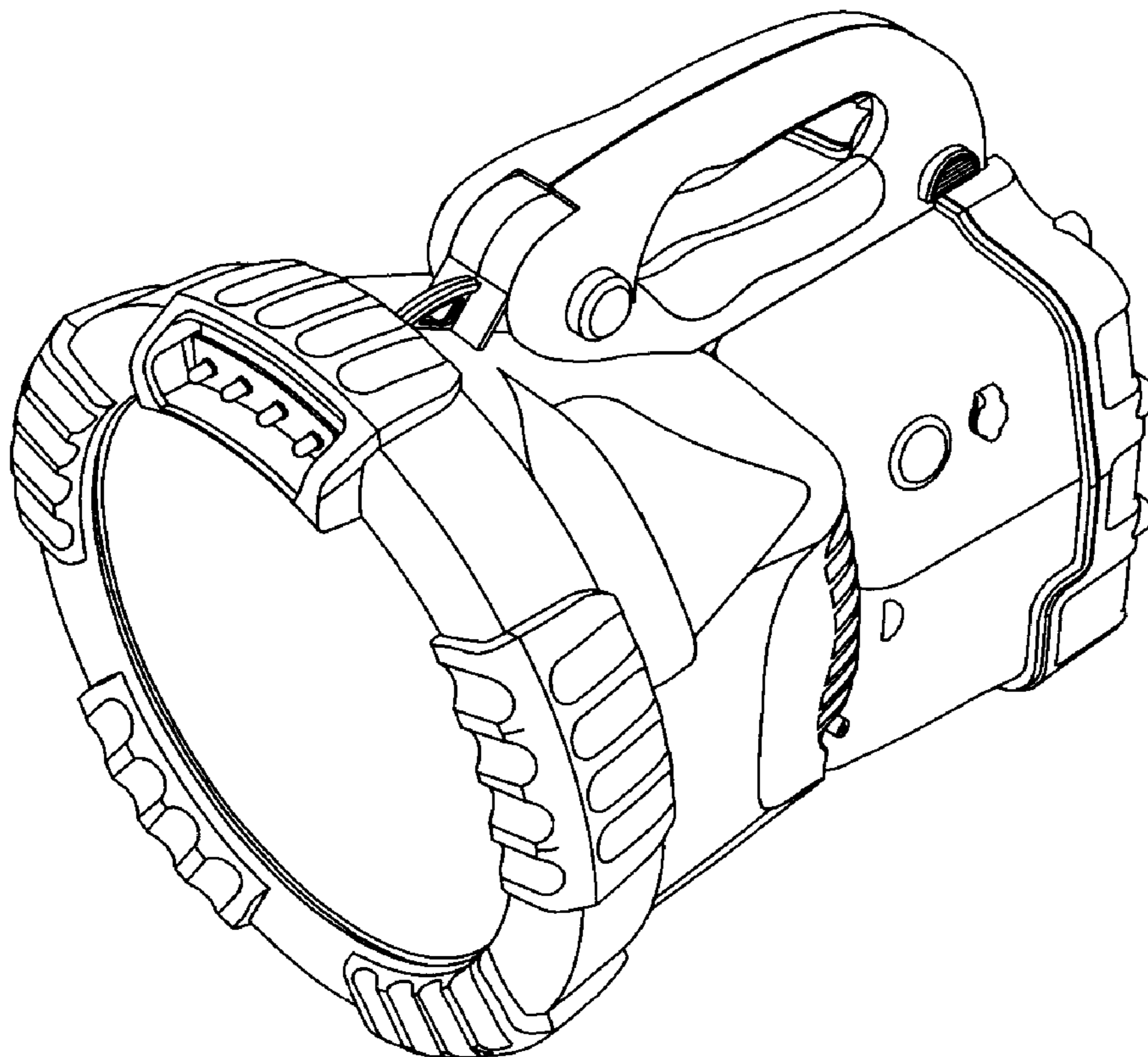
FIG. 7 is a rear view of the halogen searchlight with power station of FIG. 1;

FIG. 8 is another perspective view of the halogen searchlight with power station of FIG. 1 shown in an alternate position;

FIG. 9 is an exploded perspective view of the halogen searchlight with power station of FIG. 1; and,

FIG. 10 is another exploded perspective view of the halogen searchlight with power station of FIG. 1.

1 Claim, 10 Drawing Sheets



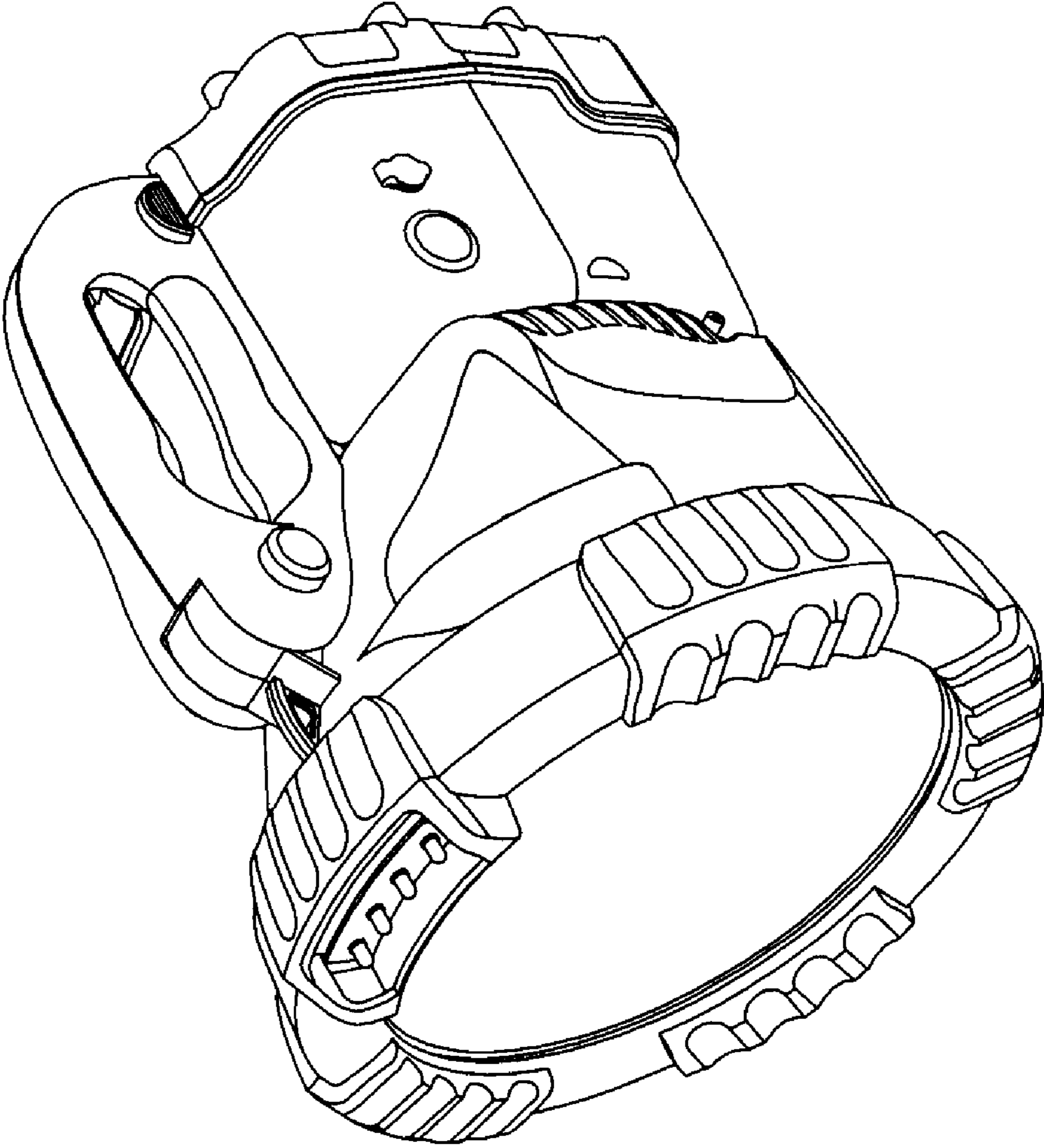


Fig.1

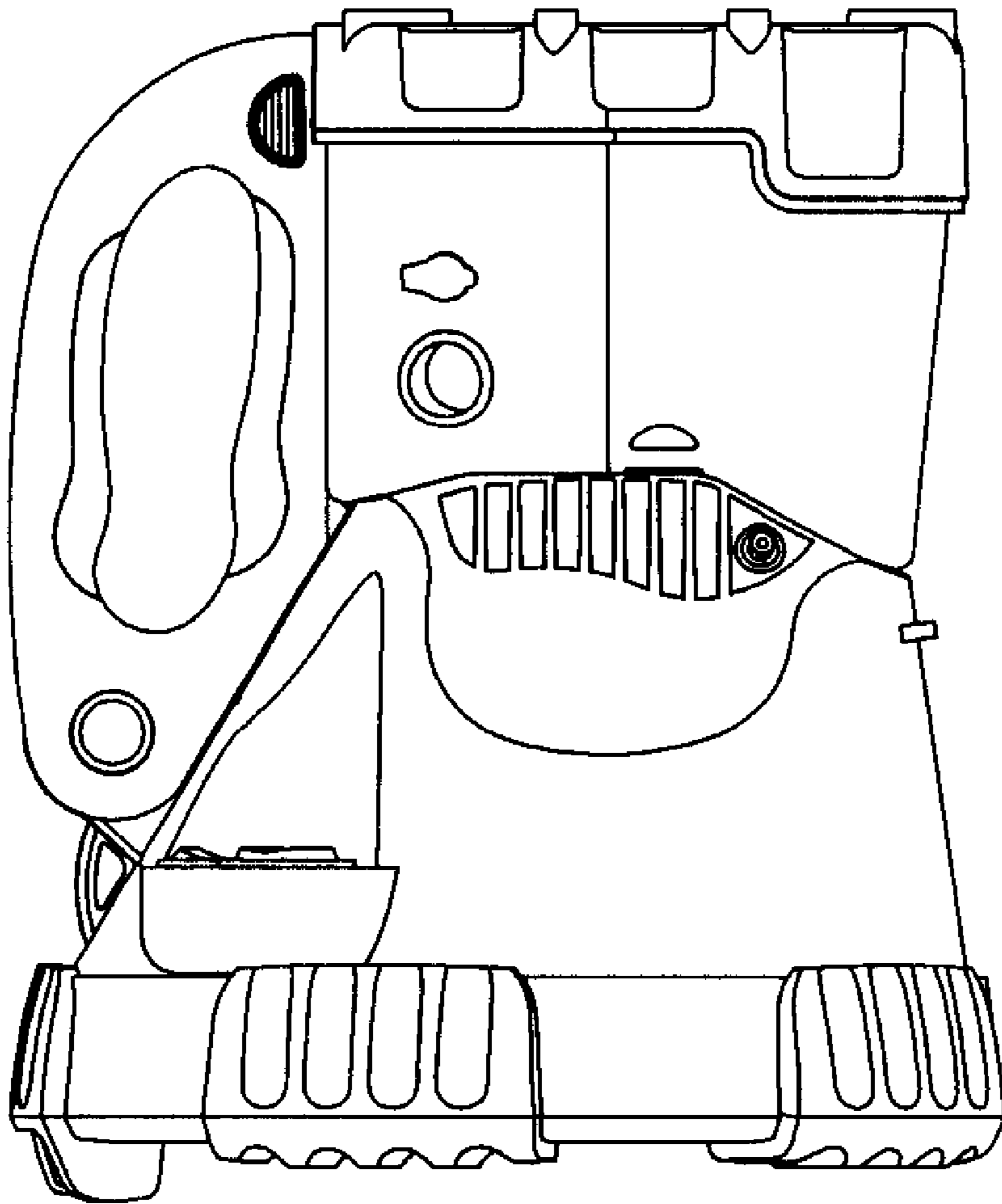


Fig. 2

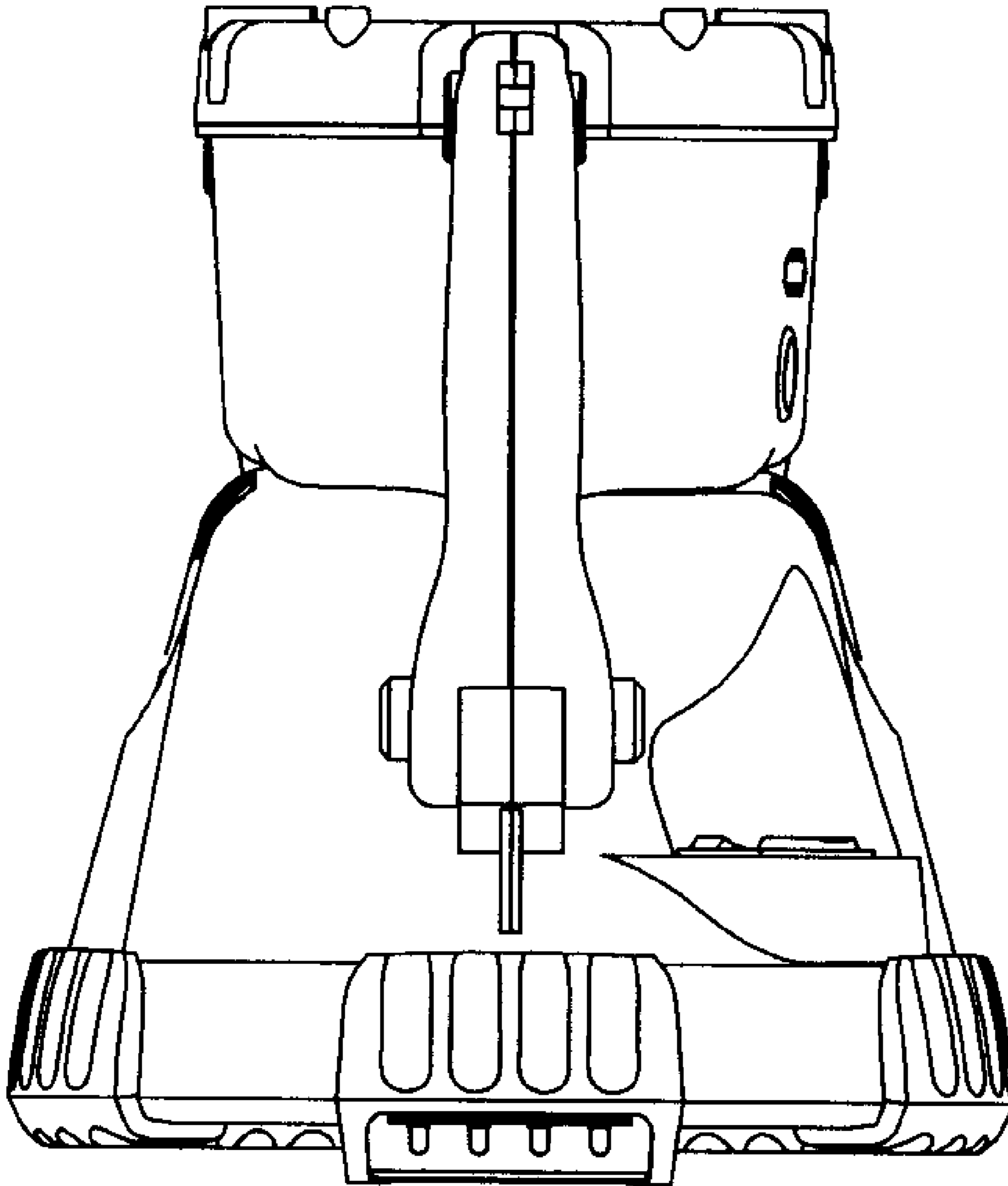


Fig.3

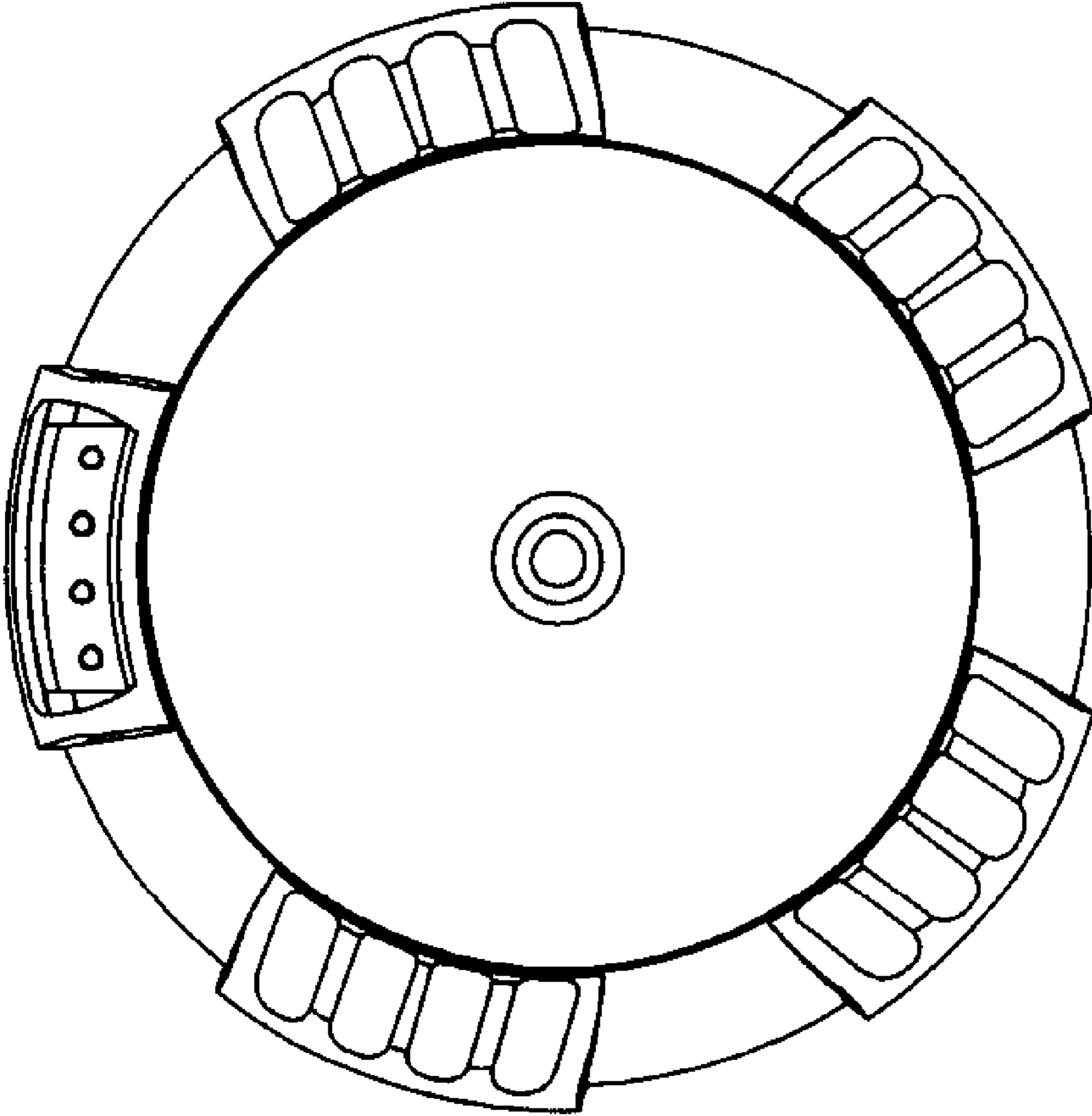


Fig.4

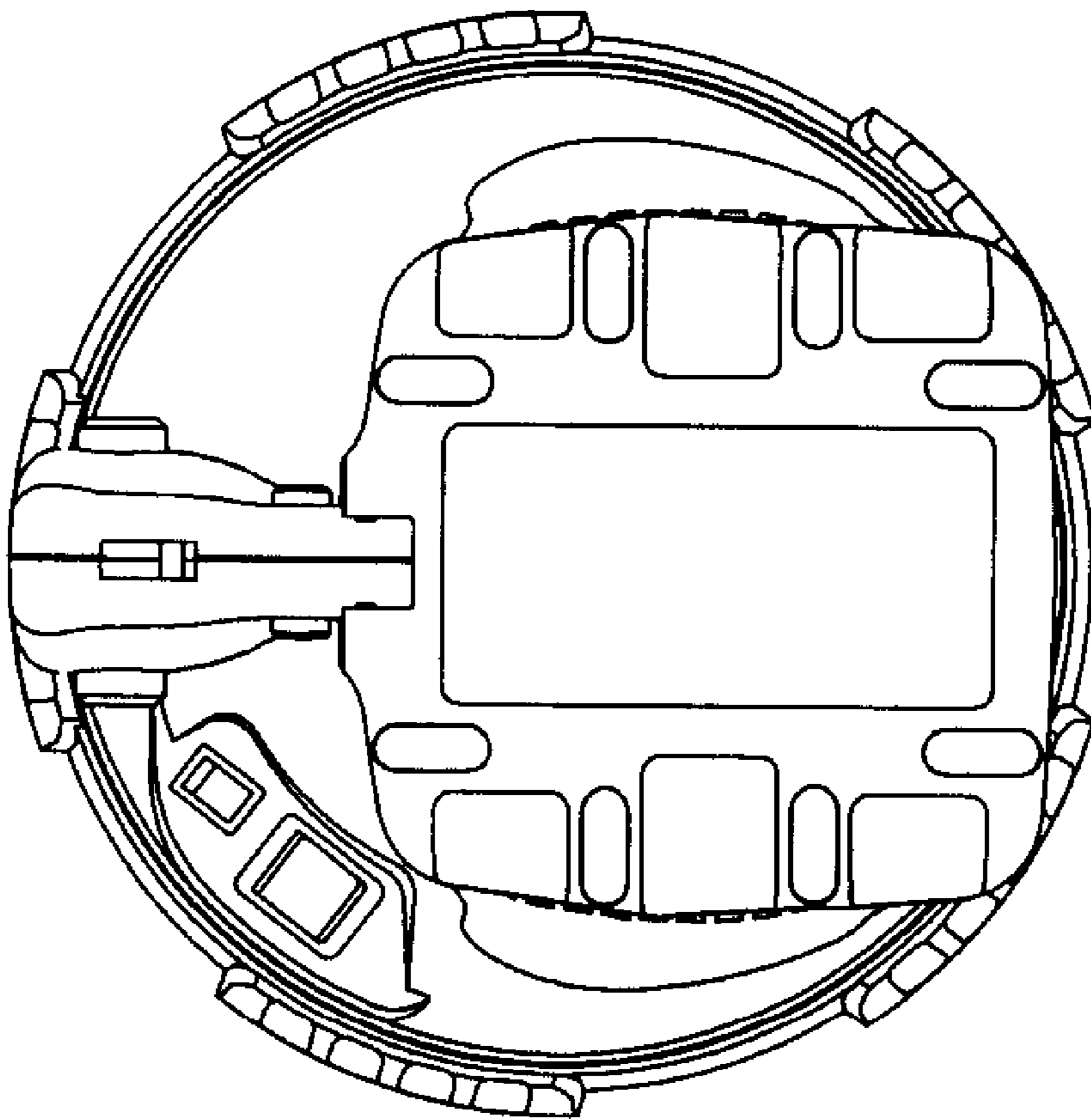


Fig.5

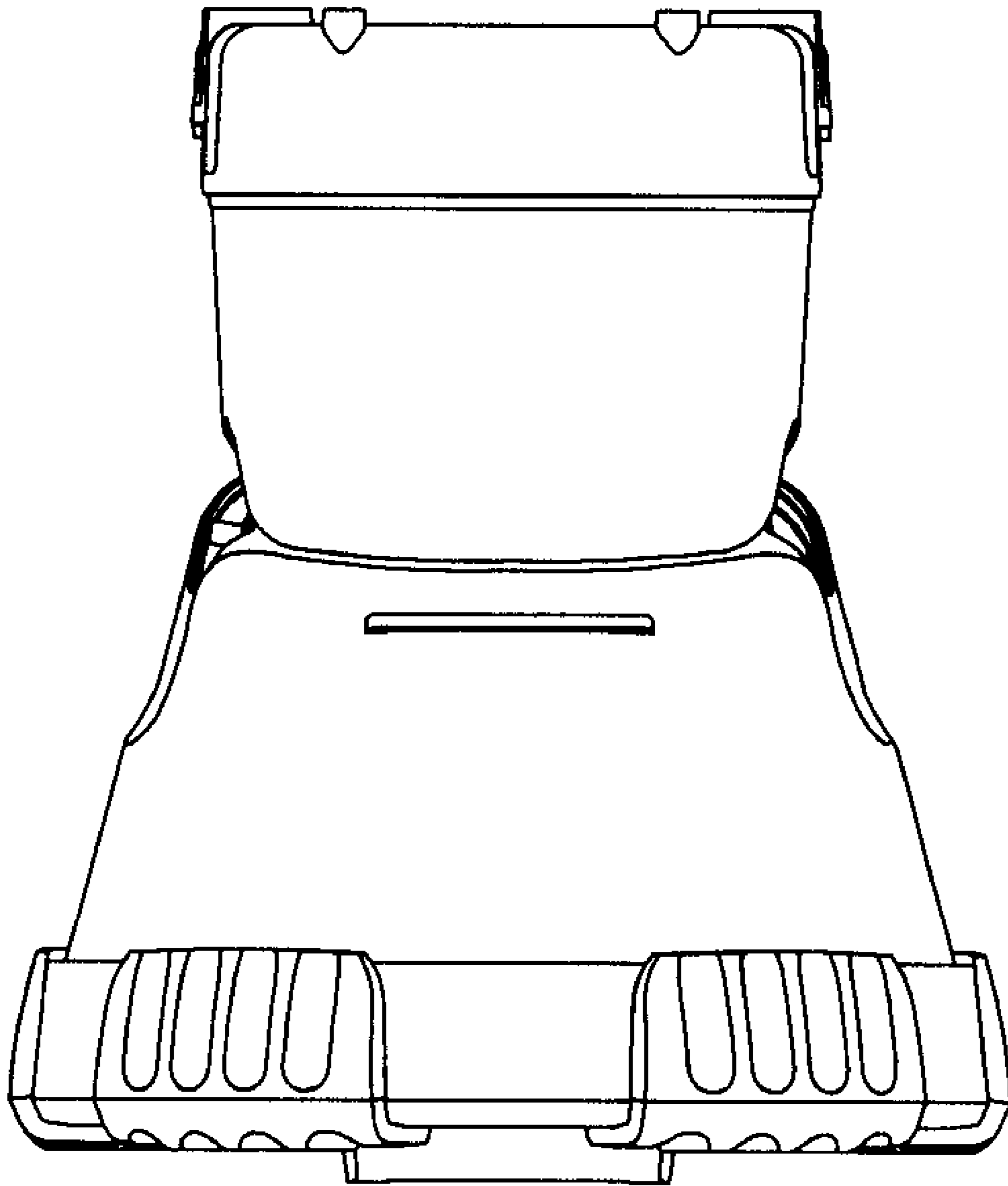


Fig.6

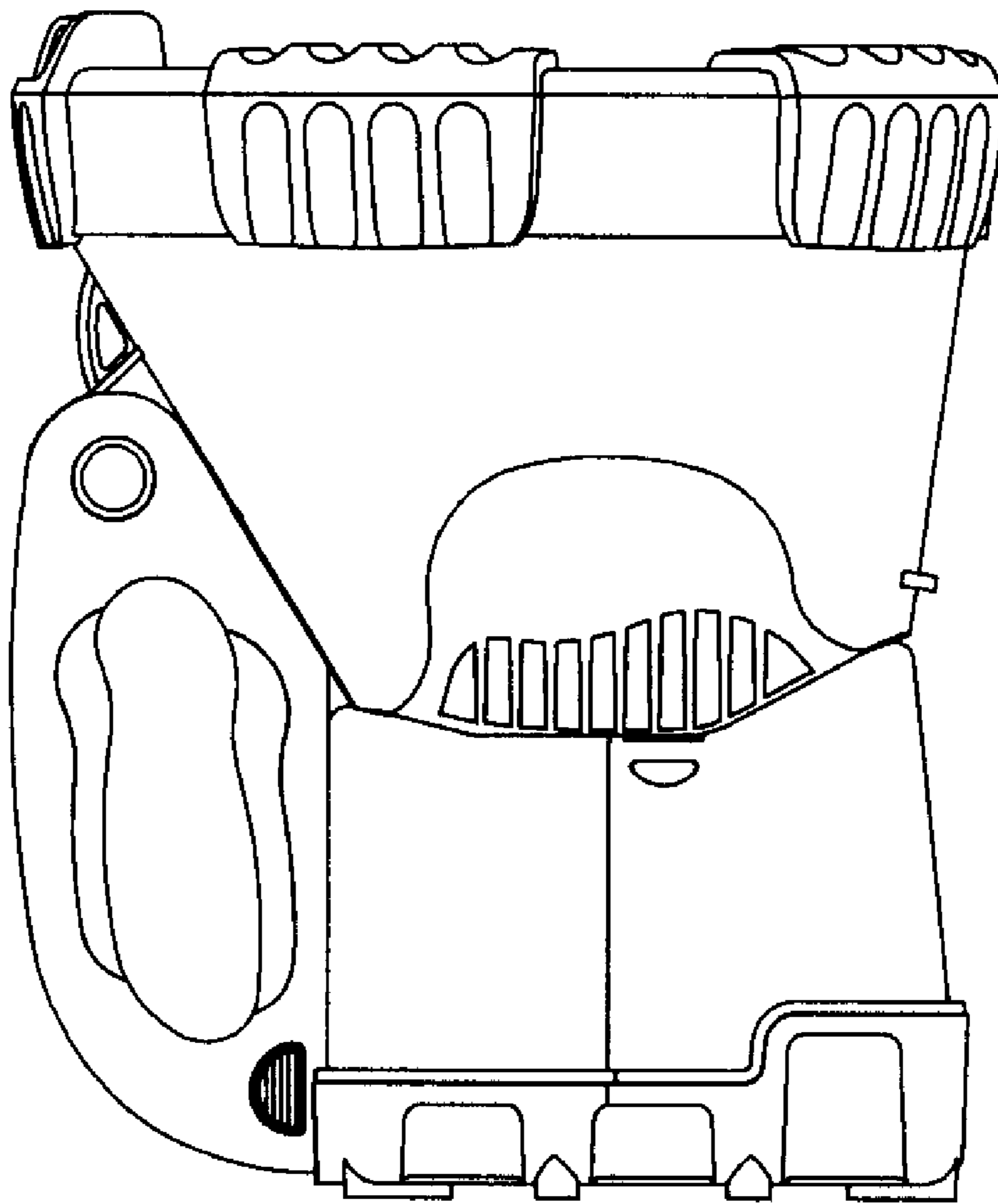


Fig.7

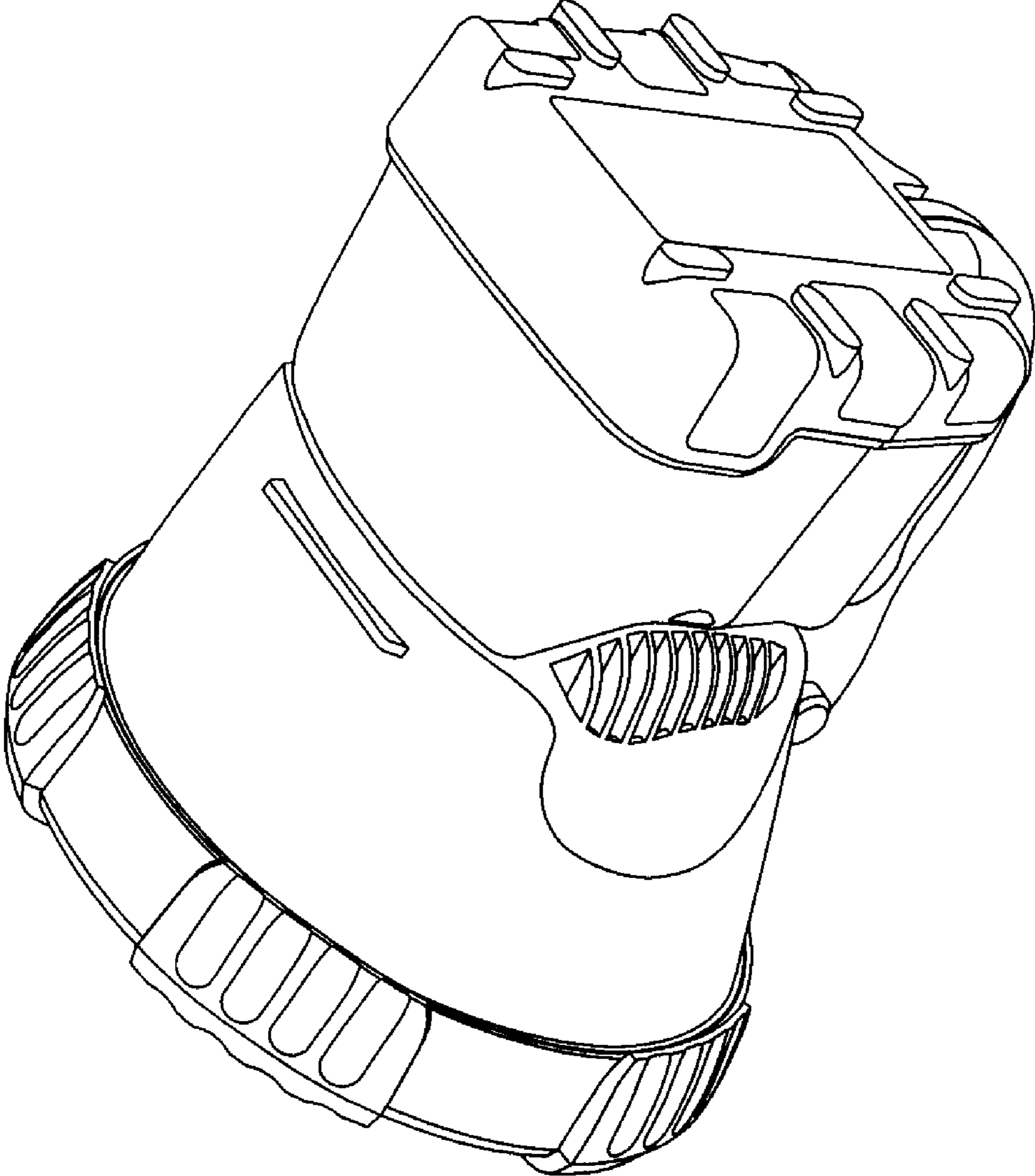


Fig.8

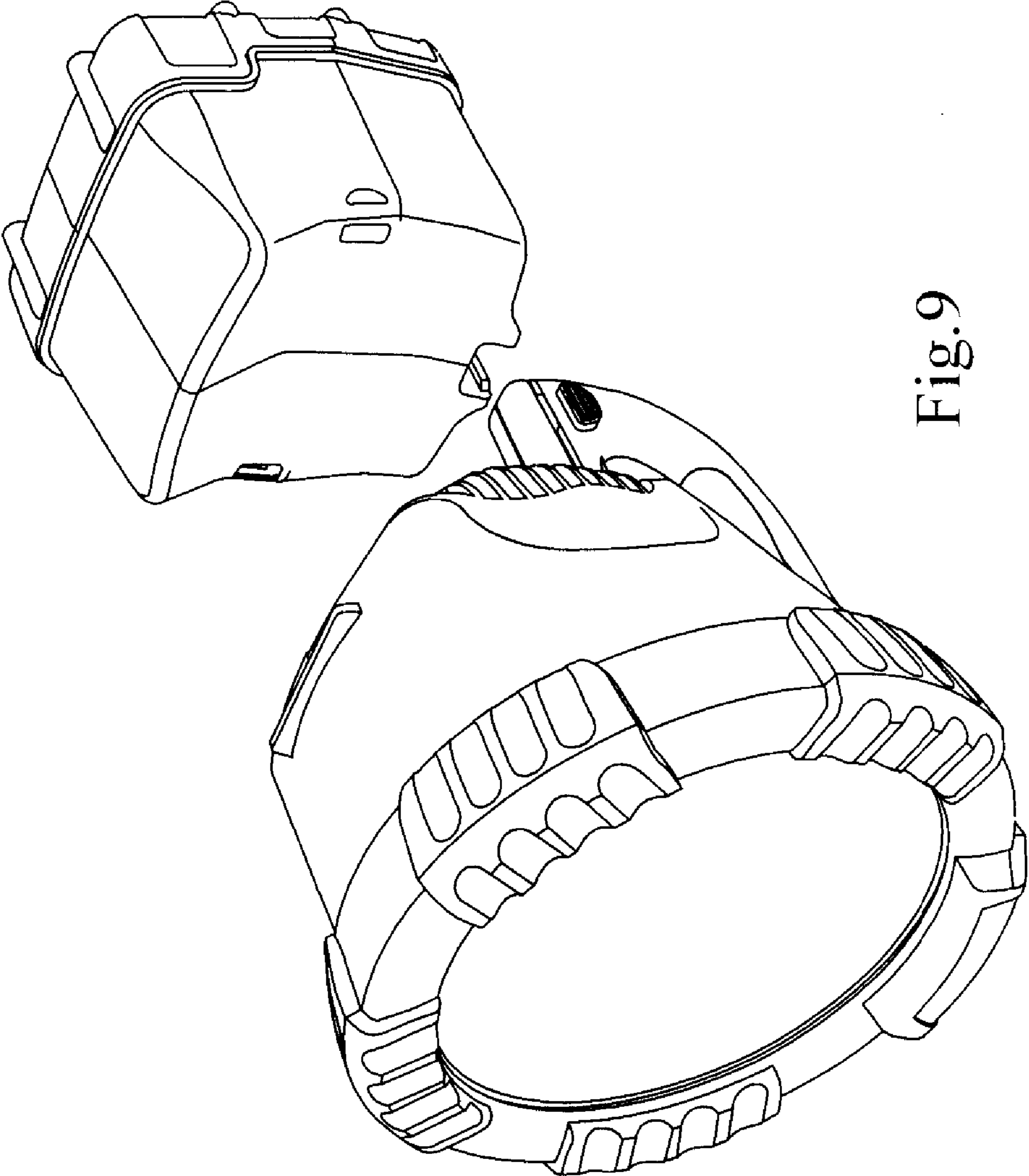


Fig. 9

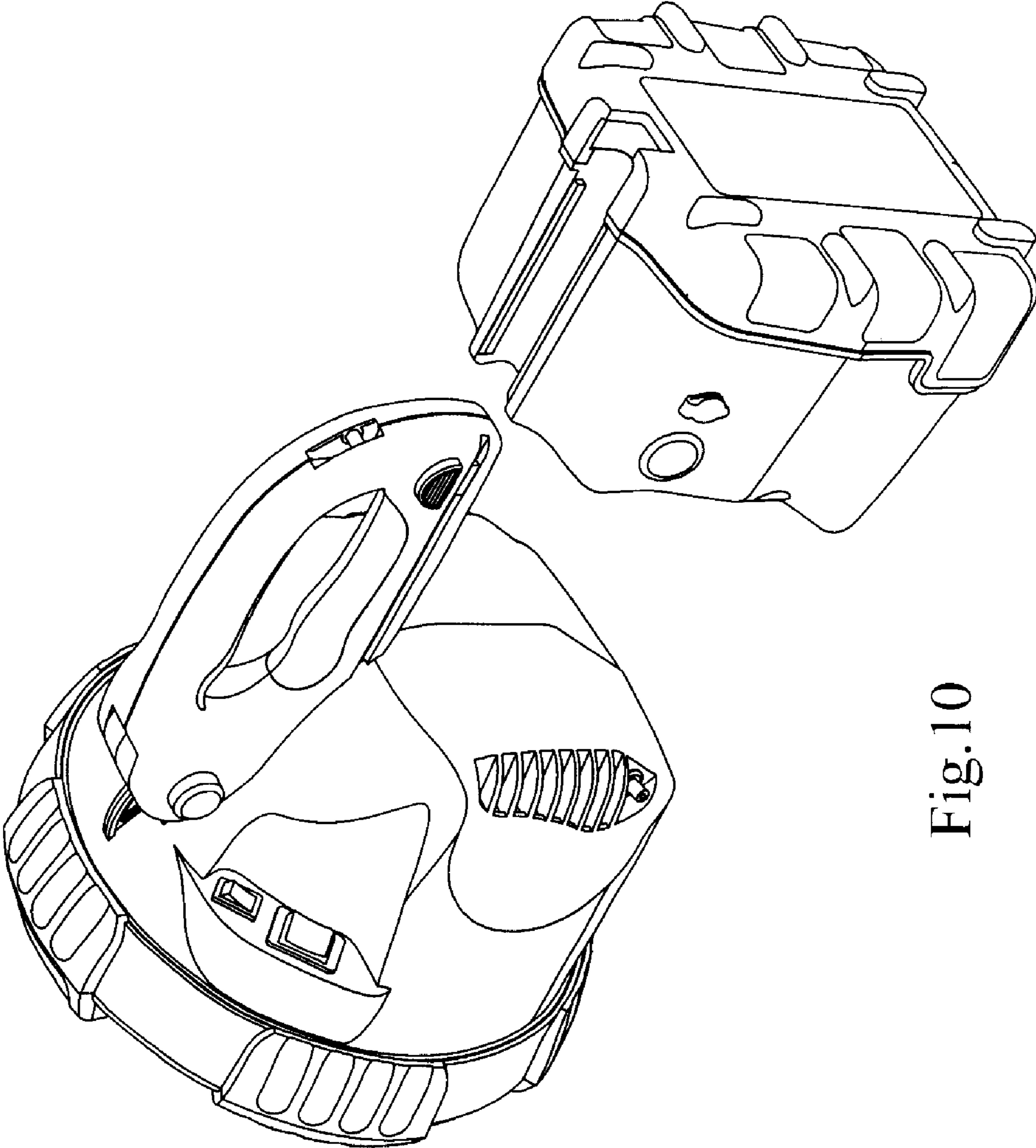


Fig. 10