

US00D533285S

(12) **United States Design Patent**  
**Male**

(10) **Patent No.:** **US D533,285 S**

(45) **Date of Patent:** **\*\* Dec. 5, 2006**

(54) **TERRA-COTTA BARDEAU FACING PANEL**

6,415,574 B1 \* 7/2002 Beck ..... 52/519  
6,682,814 B1 \* 1/2004 Hendrickson et al. .... 428/326

(75) Inventor: **Phillippe Male**, Toulouse (FR)

\* cited by examiner

(73) Assignee: **Terreal**, Courbevoie (FR)

*Primary Examiner*—Doris Clark

(\*\*) Term: **14 Years**

(74) *Attorney, Agent, or Firm*—Sughrue Mion, PLLC

(21) Appl. No.: **29/251,497**

(57) **CLAIM**

(22) Filed: **Jan. 10, 2006**

The ornamental design for a terra-cotta bardeau facing panel, as shown and described.

**Related U.S. Application Data**

**DESCRIPTION**

(62) Division of application No. 29/206,253, filed on May 28, 2004, now Pat. No. Des. 523,971.

FIG. 1 is an end view of a terra-cotta bardeau panel, the opposite end being a mirror image thereof;

(30) **Foreign Application Priority Data**

Nov. 28, 2003 (EM) ..... 000107552

FIG. 2 is a perspective view of the top, front and one end thereof;

(51) **LOC (8) Cl.** ..... **25-01**

FIG. 3 is a perspective view of the bottom, rear and one end thereof;

(52) **U.S. Cl.** ..... **D25/139**

FIG. 4 is an end view according to a second embodiment, the opposite end being a mirror image thereof;

(58) **Field of Classification Search** ..... D25/138,  
D25/136, 139; 52/287.1, 716.1, 716.8, 718.04,  
52/518, 545, 546

FIG. 5 is a perspective view of the top, front and one end thereof;

See application file for complete search history.

FIG. 6 is a perspective view of the bottom, rear and one end thereof;

(56) **References Cited**

**U.S. PATENT DOCUMENTS**

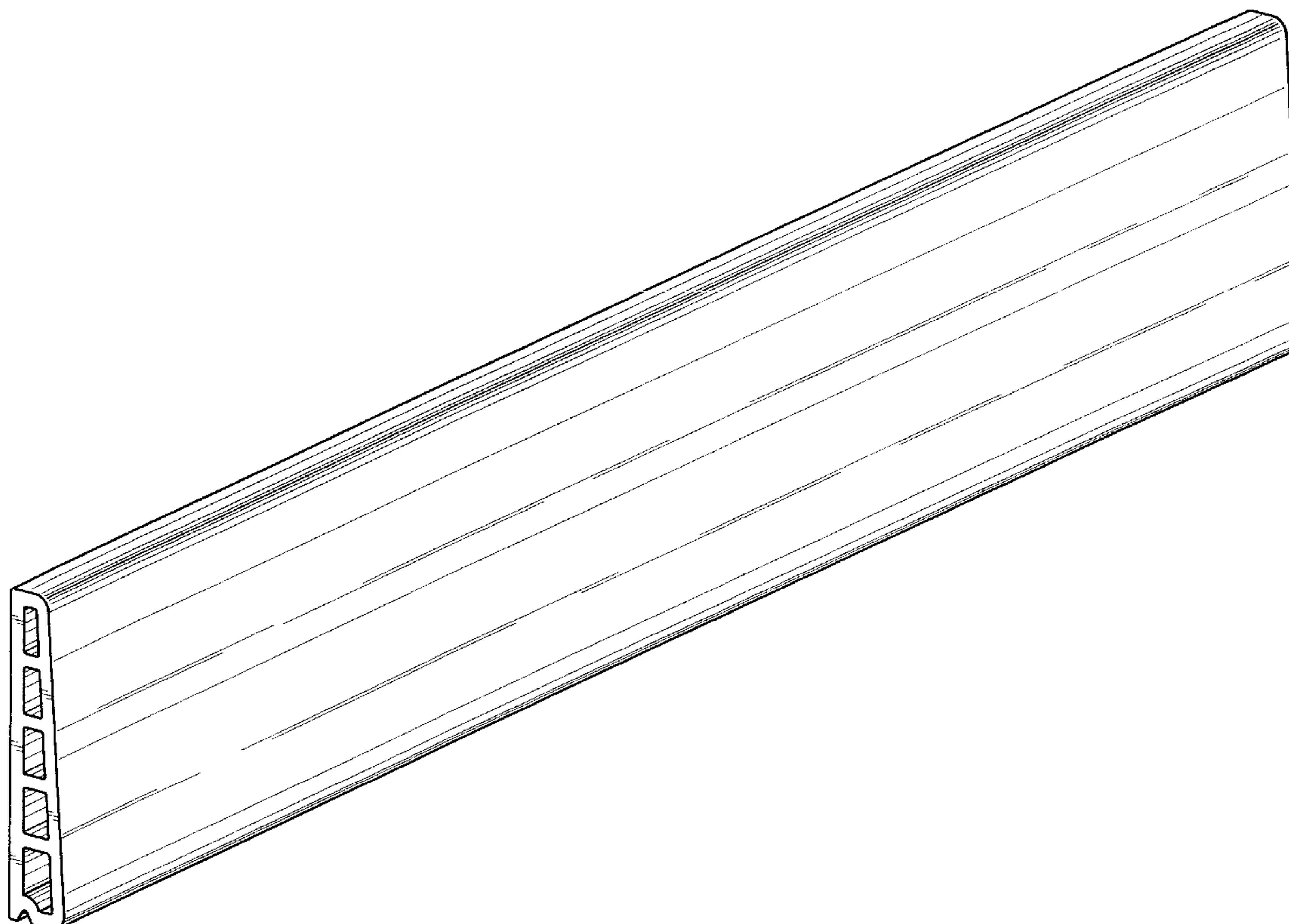
D368,782 S \* 4/1996 Noone et al. .... D25/139  
D372,545 S \* 8/1996 Schultz ..... D25/138  
D448,865 S \* 10/2001 Manning ..... D25/141  
6,301,856 B1 \* 10/2001 Nasi ..... 52/712

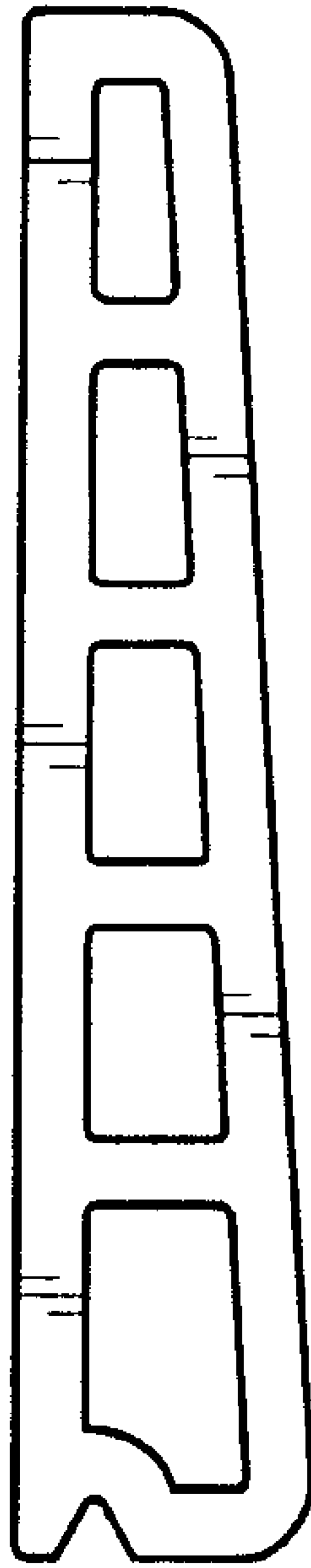
FIG. 7 is an end view according to a third embodiment, the opposite end being a mirror image thereof;

FIG. 8 is a perspective view of the top, front and one end thereof; and,

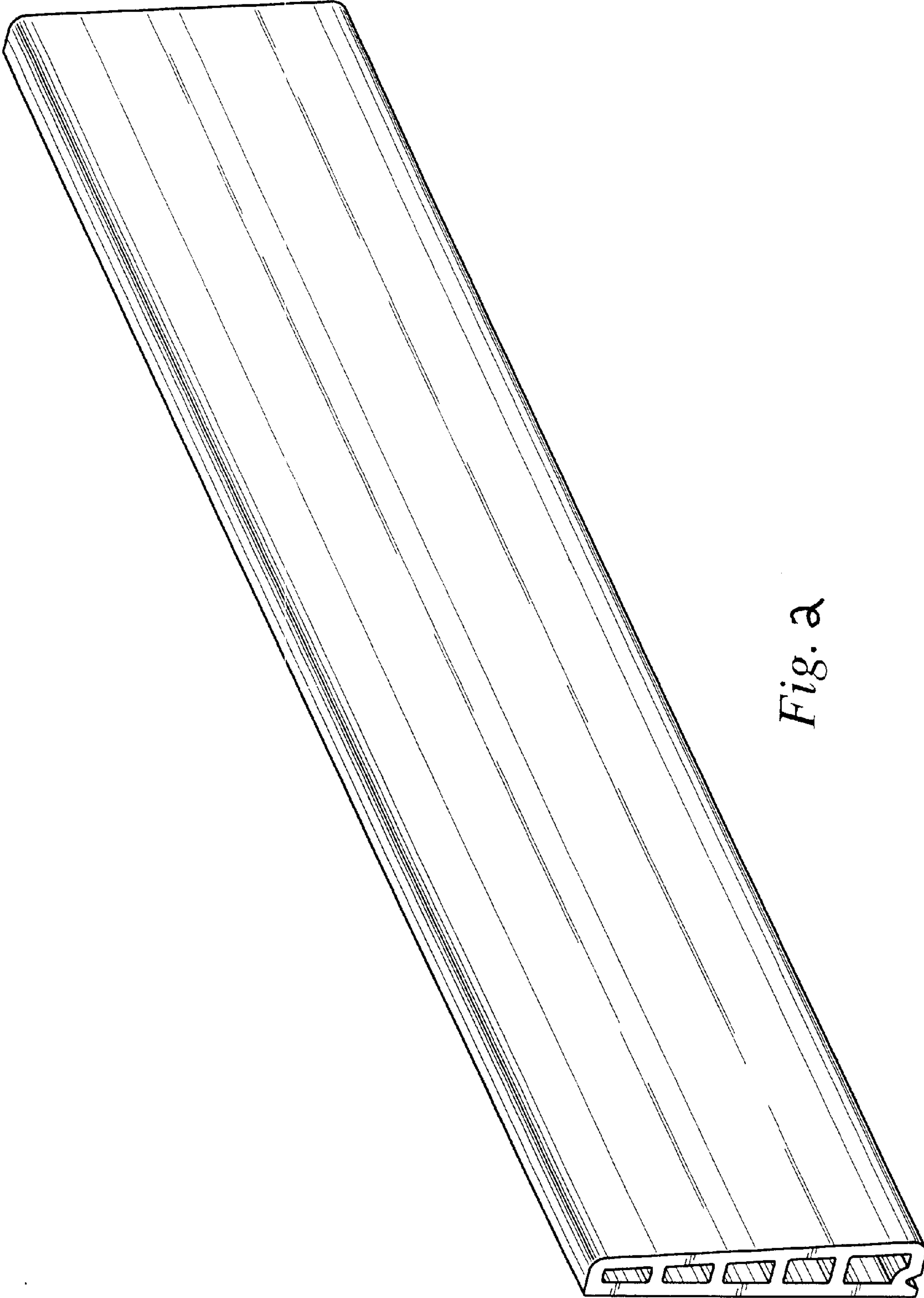
FIG. 9 is a perspective view of the bottom rear and one end thereof.

**1 Claim, 9 Drawing Sheets**

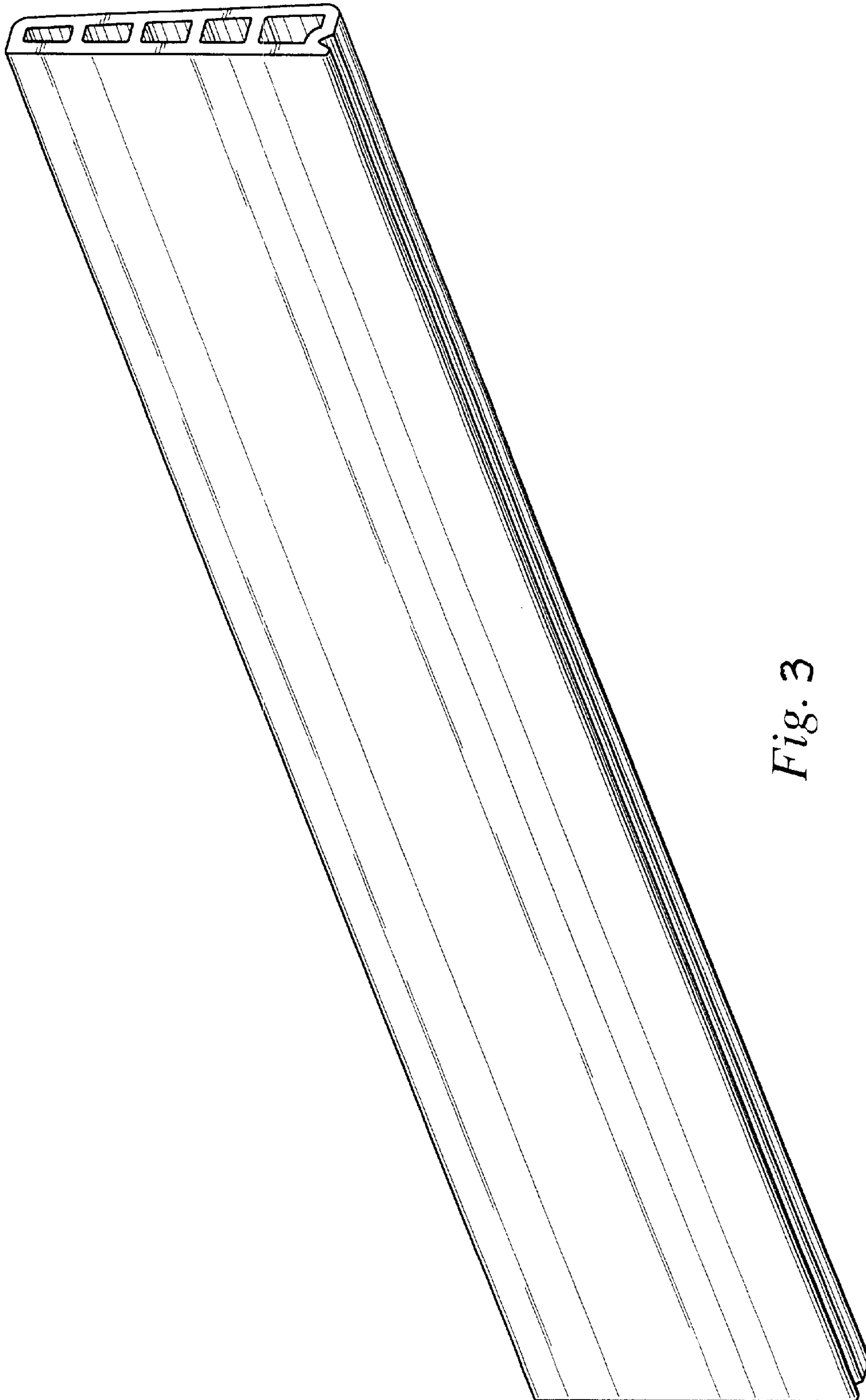




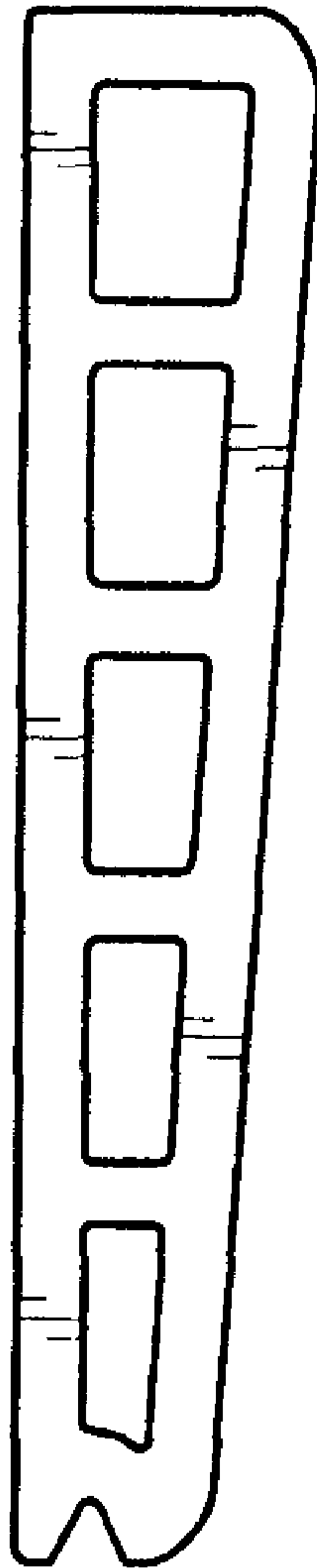
*Fig. 1*



*Fig. 2*

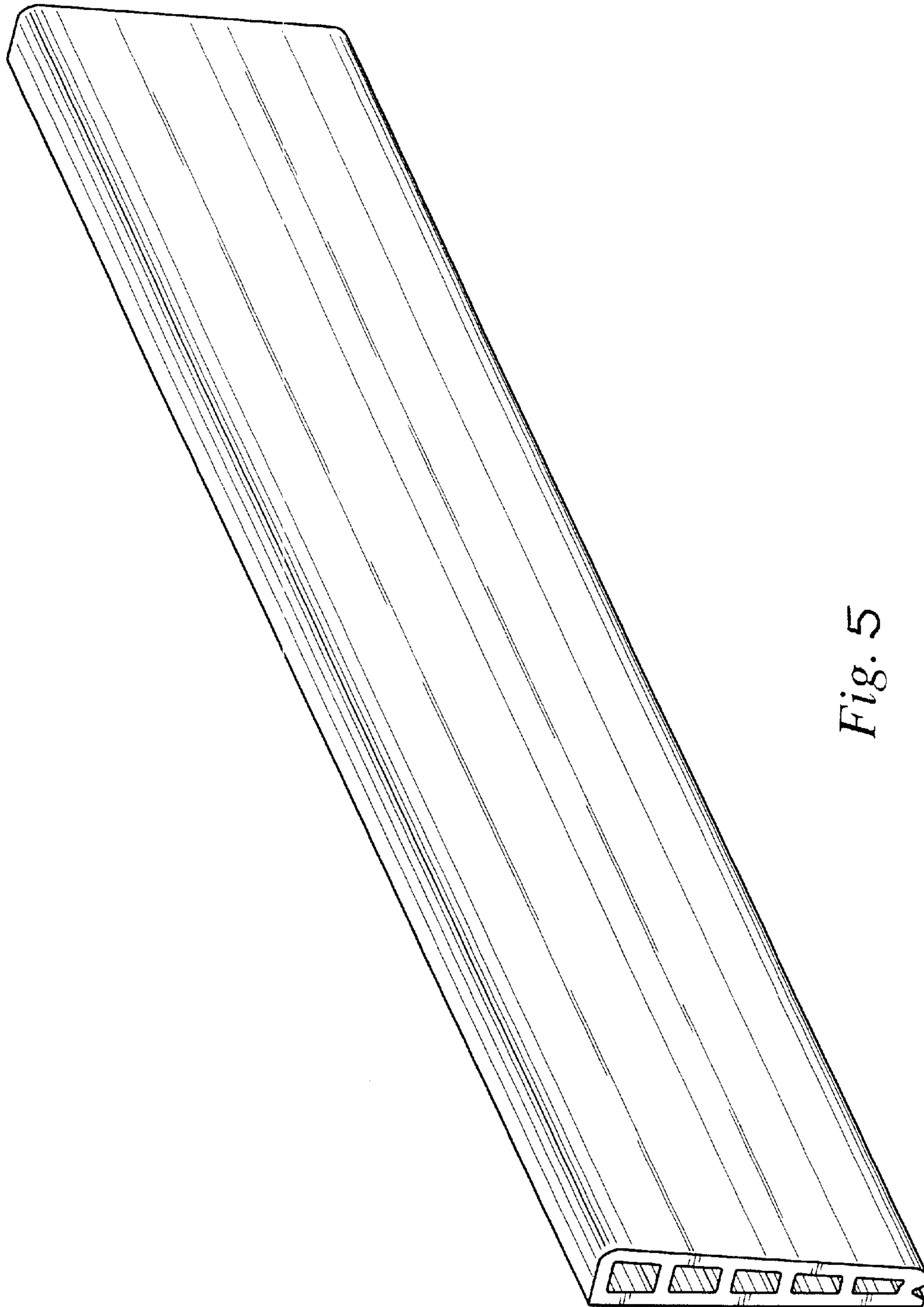


*Fig. 3*

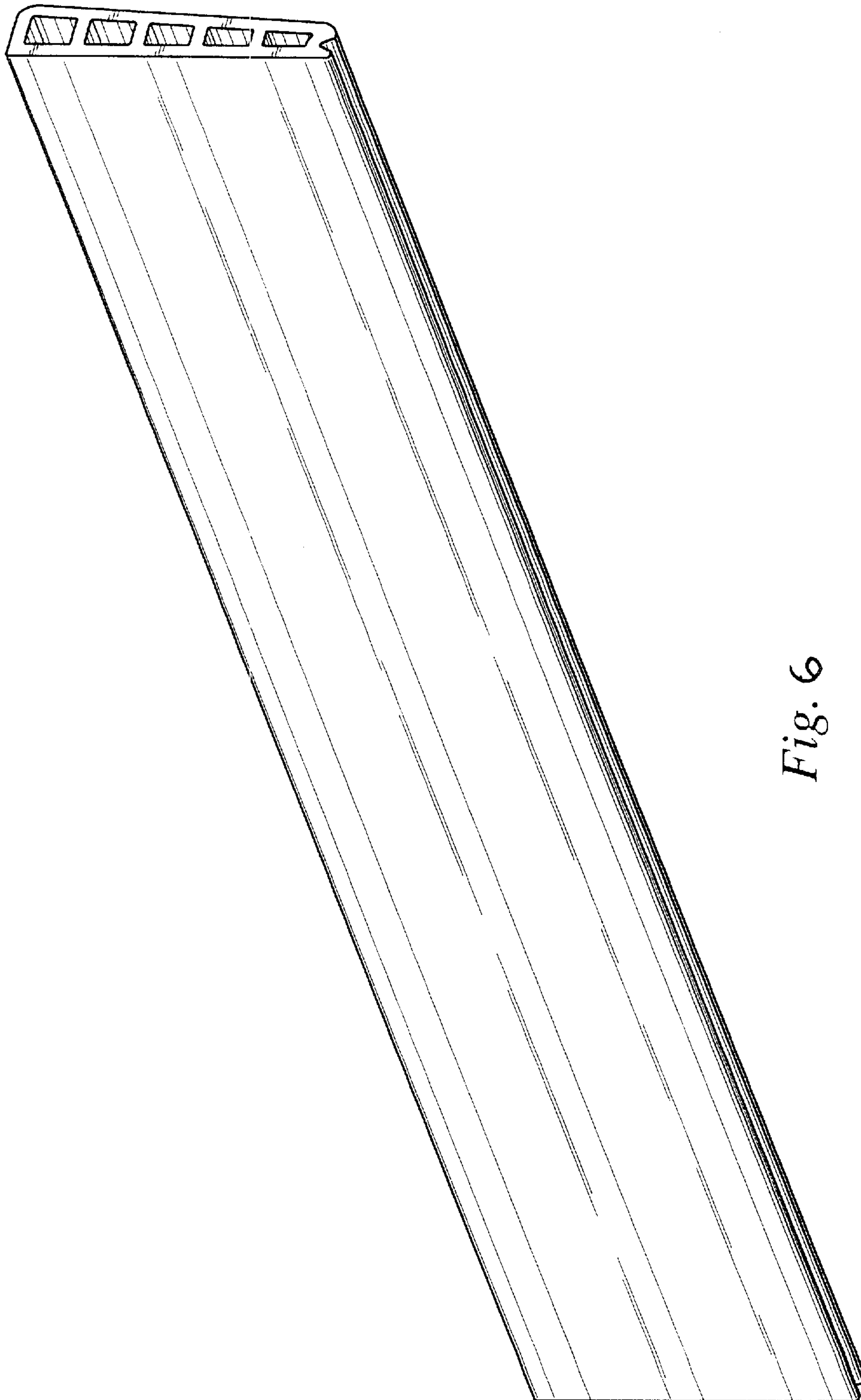


*Fig. 4*

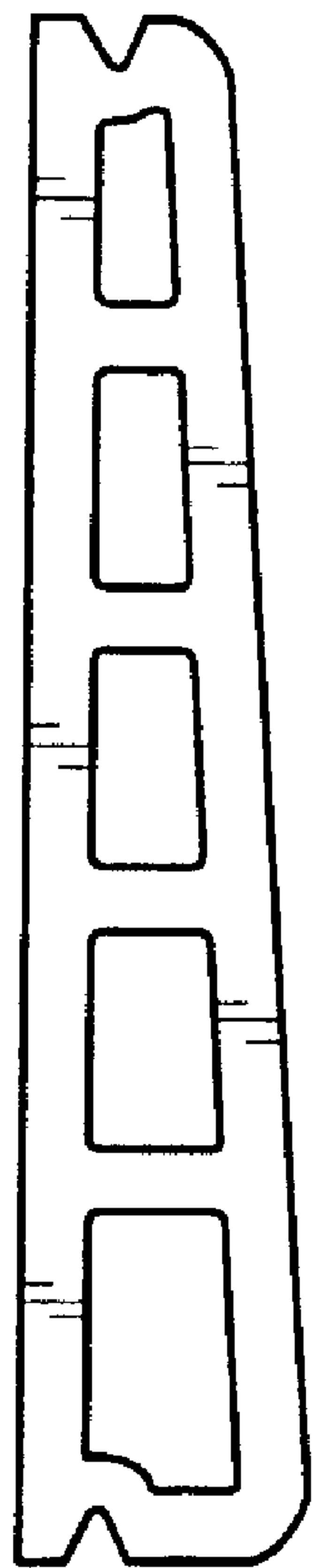




*Fig. 5*

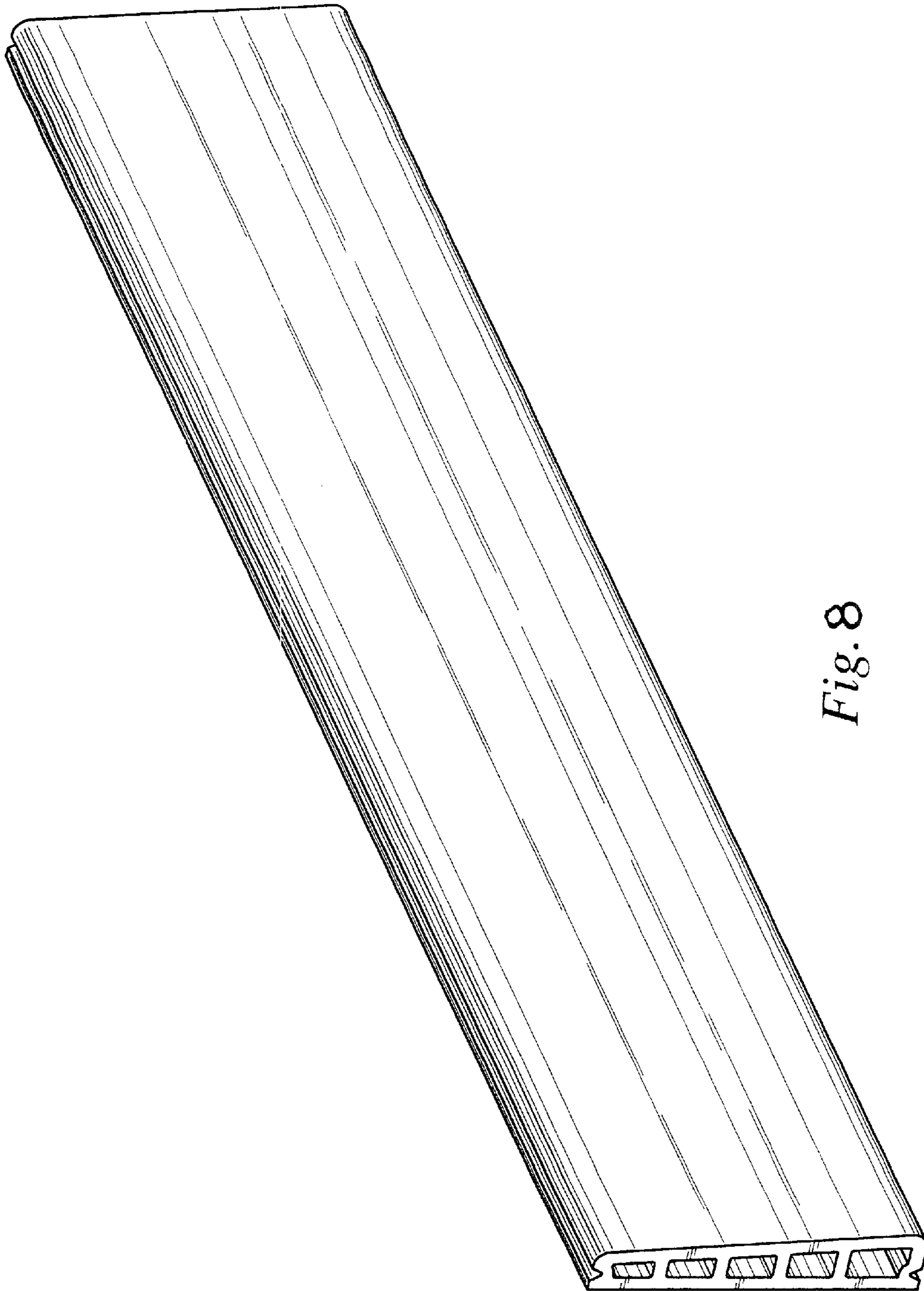


*Fig. 6*



*Fig. 7*





*Fig. 8*

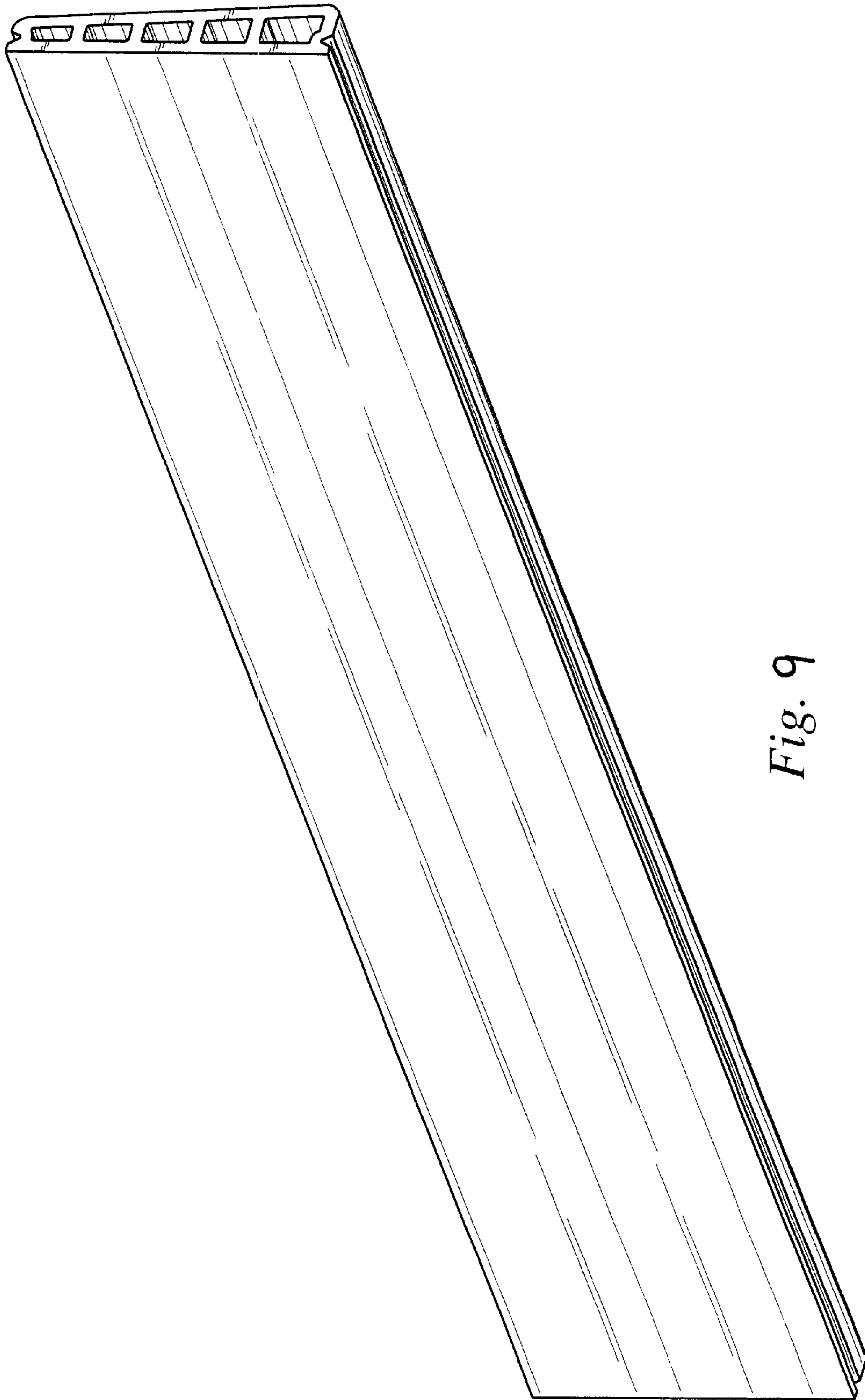


Fig. 9