



US00D533283S

(12) **United States Design Patent**
Holztrager

(10) **Patent No.:** **US D533,283 S**

(45) **Date of Patent:** **** Dec. 5, 2006**

(54) **SLATWALL SECTION**

(75) Inventor: **William J. Holztrager**, Bristol, TN
(US)

(73) Assignee: **Showall, Inc.**, Chilhowie, VA (US)

(**) Term: **14 Years**

(21) Appl. No.: **29/234,904**

(22) Filed: **Jul. 26, 2005**

Related U.S. Application Data

(62) Division of application No. 10/685,483, filed on Oct. 16, 2003.

(51) **LOC (8) Cl.** **25-01**

(52) **U.S. Cl.** **D25/123**

(58) **Field of Classification Search** D25/138,
D25/58, 119, 123; 211/94.01, 94.02; 52/36.4,
52/36.5

See application file for complete search history.

(56) **References Cited**

U.S. PATENT DOCUMENTS

5,485,934 A 1/1996 Holztrager
D400,270 S * 10/1998 Current D25/123

5,921,044 A 7/1999 Holztrager
D414,567 S * 9/1999 Burt et al. D25/123
5,983,574 A 11/1999 Holztrager
6,068,135 A 5/2000 Holztrager
6,134,846 A * 10/2000 Lamb 52/36.5
6,185,899 B1 * 2/2001 De Niet 52/762
D471,993 S 3/2003 Holztrager
D473,664 S * 4/2003 Perkins et al. D25/138

FOREIGN PATENT DOCUMENTS

EP 0547996 6/1996

* cited by examiner

Primary Examiner—Doris Clark

(74) *Attorney, Agent, or Firm*—Shlesinger, Arkwright & Garvey LLP

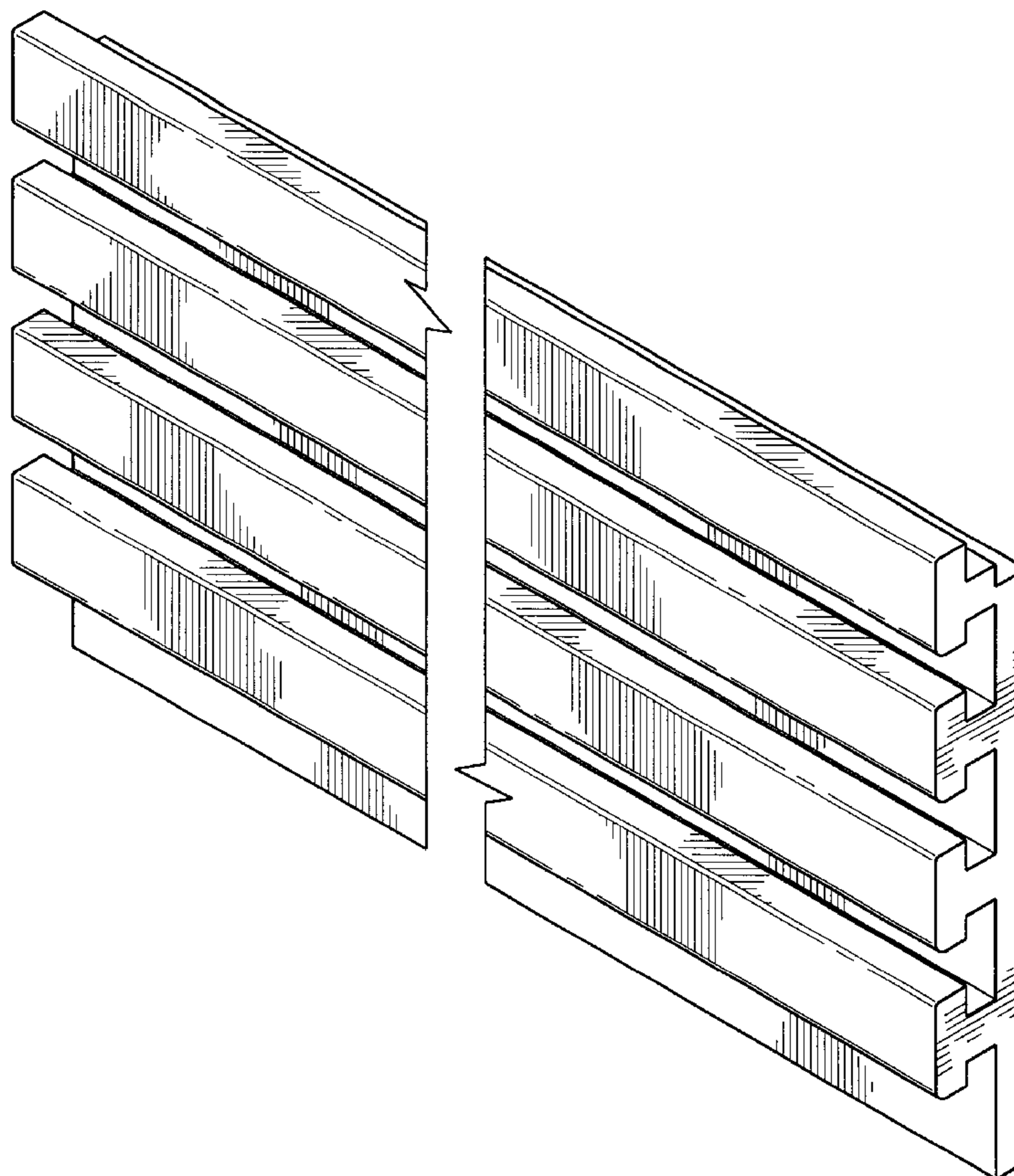
(57) **CLAIM**

The ornamental design for a slatwall section, as shown and described.

DESCRIPTION

FIG. 1 is a top and front perspective view of a slatwall section showing my new design; FIG. 2 is a right end view of FIG. 1; and, FIG. 3 is a top plan view of FIG. 1. No claim is made to the rear side of FIG. 1.

1 Claim, 1 Drawing Sheet



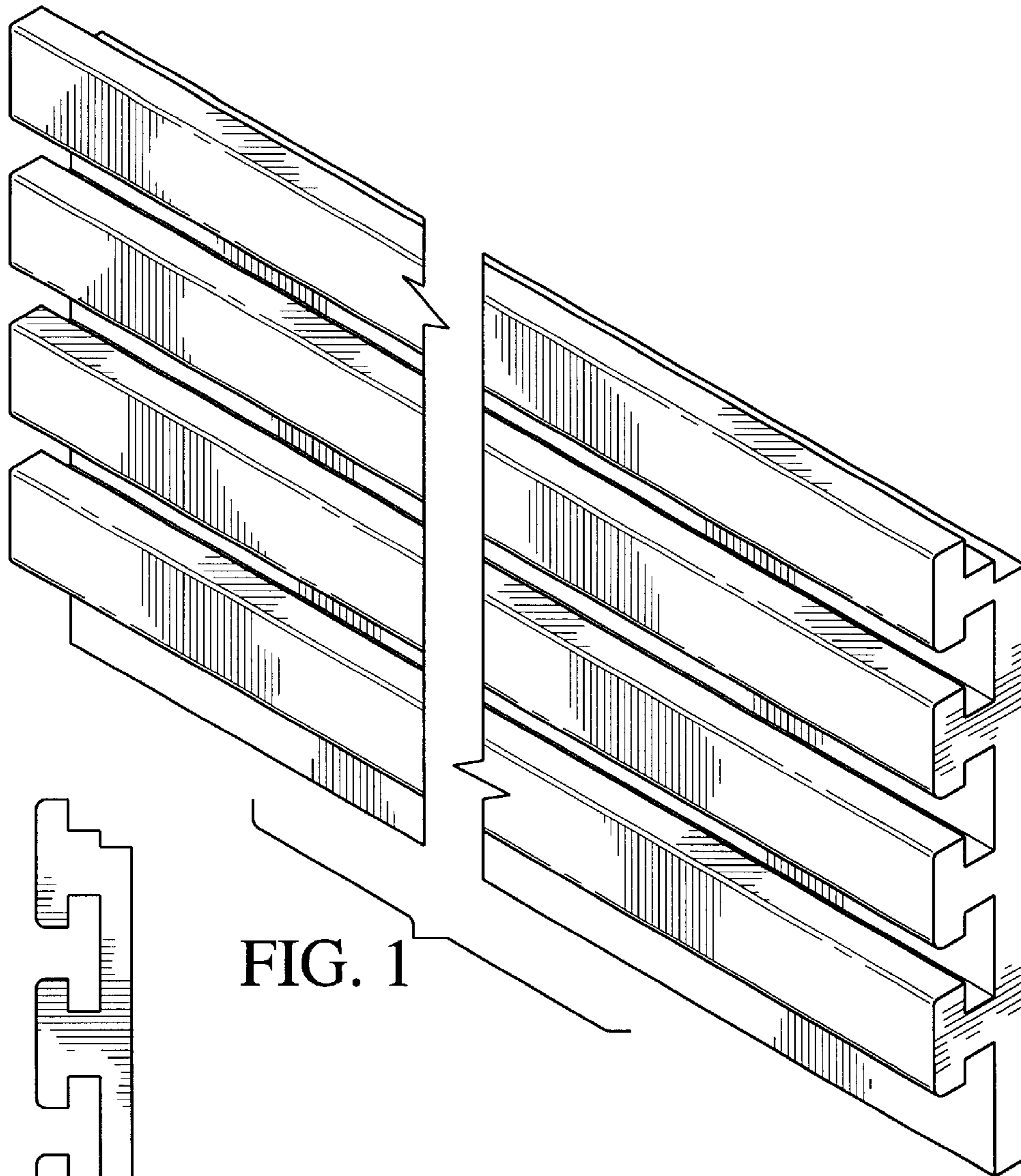


FIG. 2

FIG. 3

