



US00D533281S

(12) **United States Design Patent**
Christensen et al.

(10) **Patent No.:** **US D533,281 S**
(45) **Date of Patent:** **** Dec. 5, 2006**

(54) **BARRIER WITH INTERLOCKING SIDES**

6,672,799 B1 * 1/2004 Earl 405/111

(75) Inventors: **Marc E. Christensen**, Salt Lake City, UT (US); **Greg H. Brown**, Cleveland, OH (US); **David E. Cowan**, Cleveland, OH (US); **Bryan D. Grabowski**, Cleveland, OH (US); **Charles M Mettler**, Cleveland, OH (US); **Bruce E. Owens**, Cleveland, OH (US); **Patricia Russell**, Salt Lake City, UT (US)

* cited by examiner

Primary Examiner—Doris Clark
(74) *Attorney, Agent, or Firm*—Workman Nydegger

(57) **CLAIM**

The ornamental design for a barrier with interlocking sides, as shown and described.

DESCRIPTION

(73) Assignee: **Off the Wall Products, LLC**, Salt Lake City, UT (US)

FIG. 1 is a front perspective view of the barrier with interlocking sides;

(**) Term: **14 Years**

FIG. 2 is a back perspective view of the barrier with interlocking sides shown in FIG. 1;

(21) Appl. No.: **29/226,658**

FIG. 3 is an elevated left side view of the barrier with interlocking sides shown in FIG. 1;

(22) Filed: **Mar. 31, 2005**

FIG. 4 is an elevated right side view of the barrier with interlocking sides shown in FIG. 1;

(51) **LOC (8) Cl.** **25-02**

(52) **U.S. Cl.** **D25/38**

(58) **Field of Classification Search** D25/50,
D25/58, 38; 404/6; 256/1, 13.1

FIG. 5 is an elevated front view of the barrier with interlocking sides shown in FIG. 1;

See application file for complete search history.

FIG. 6 is an elevated back view of the barrier with interlocking sides shown in FIG. 1;

(56) **References Cited**

U.S. PATENT DOCUMENTS

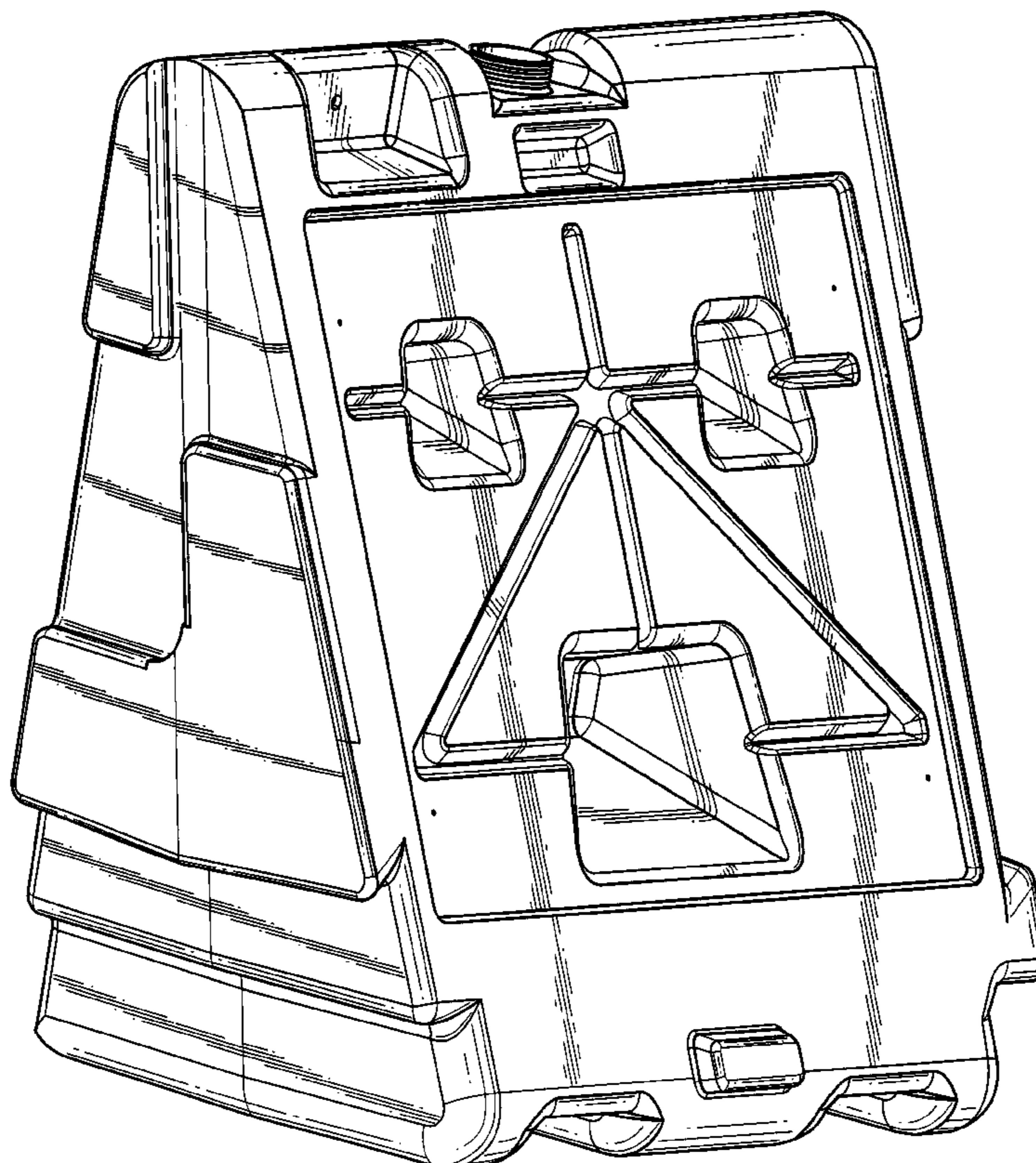
D400,264 S * 10/1998 Striefel et al. D25/38

D462,126 S * 8/2002 Englund D25/38

FIG. 7 is a bottom plan view of the barrier with interlocking sides shown in FIG. 1; and,

FIG. 8 is a top plan view of the barrier with interlocking sides shown in FIG. 1.

1 Claim, 7 Drawing Sheets



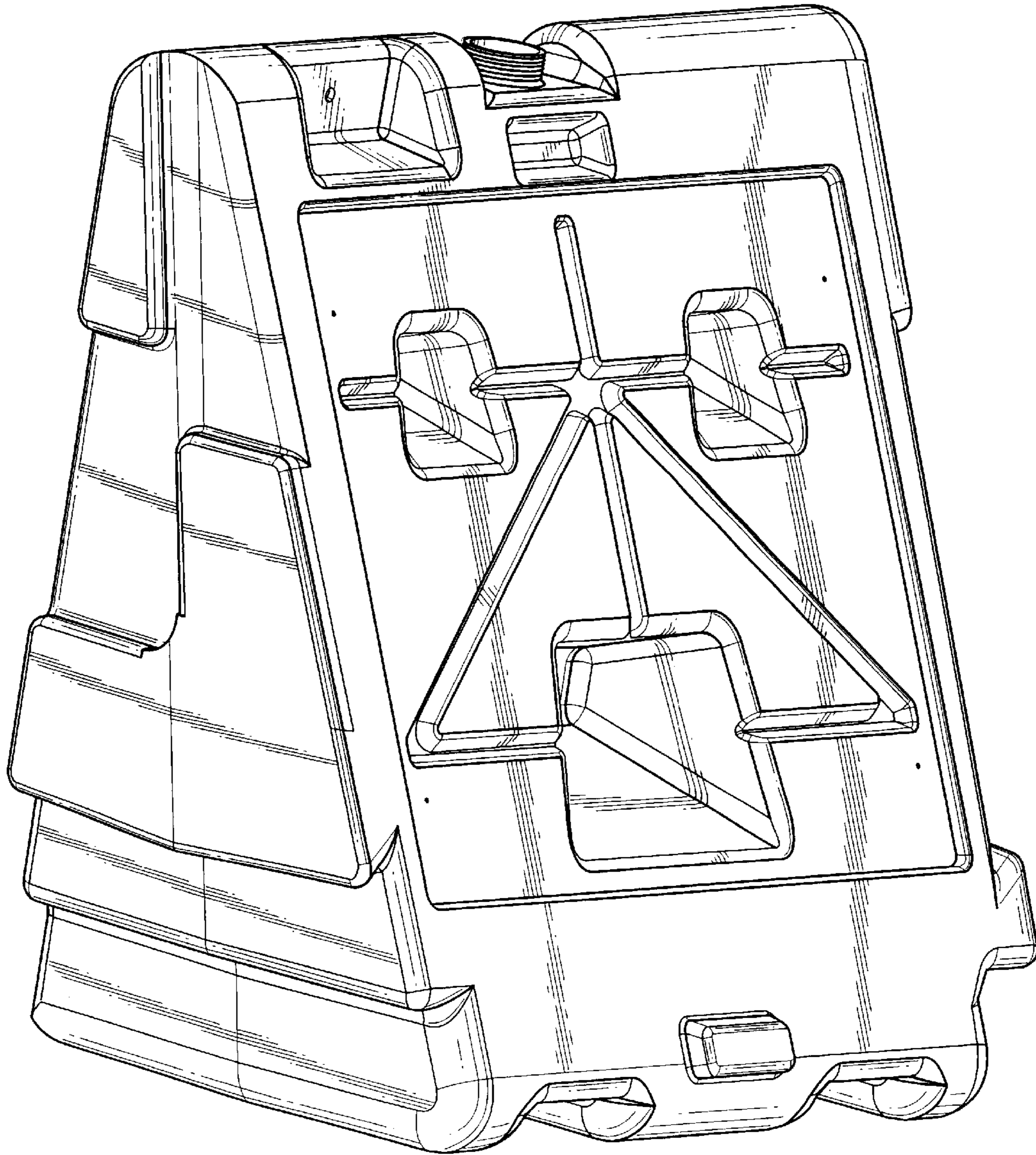


Fig. 1

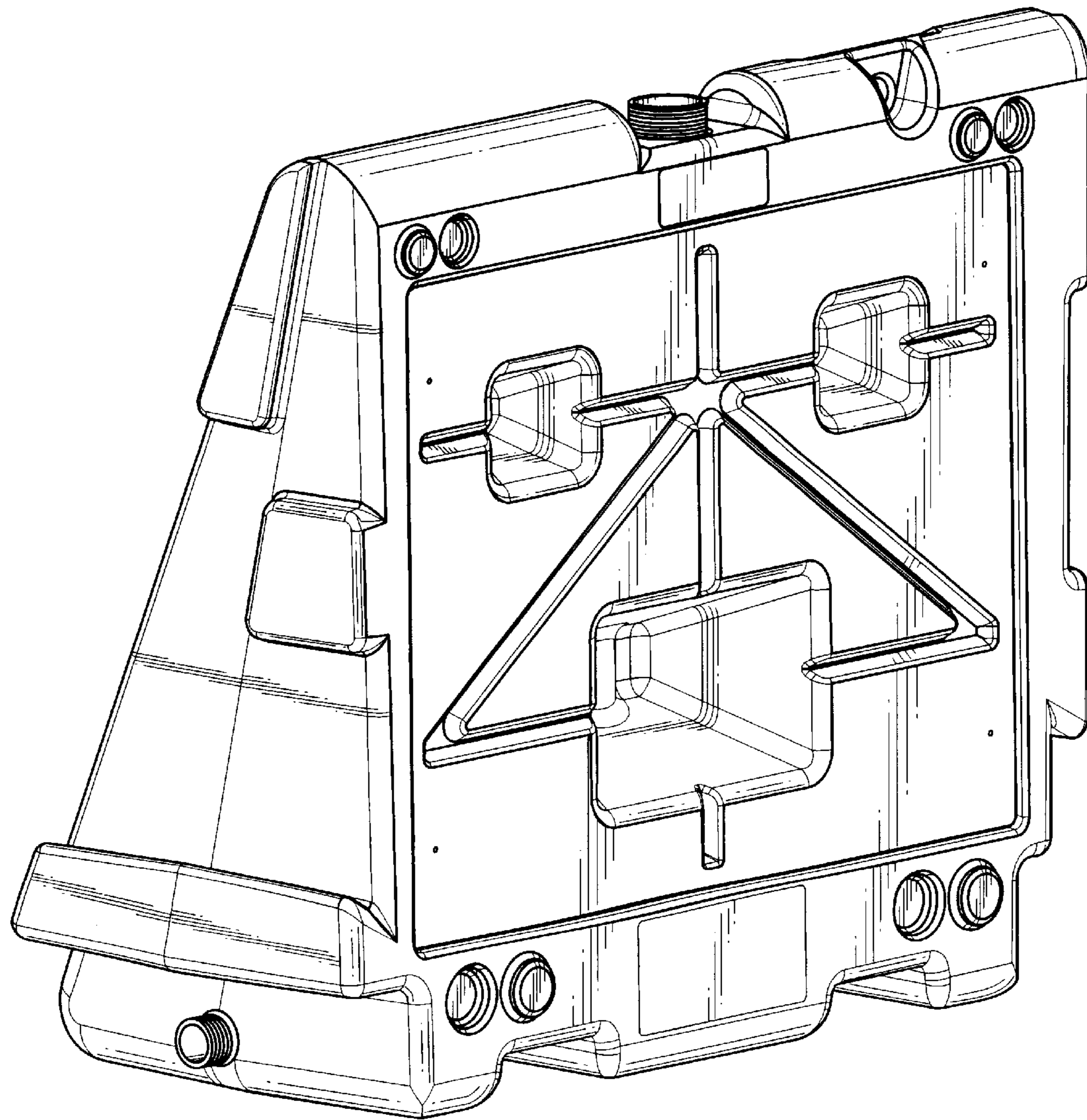


Fig. 2

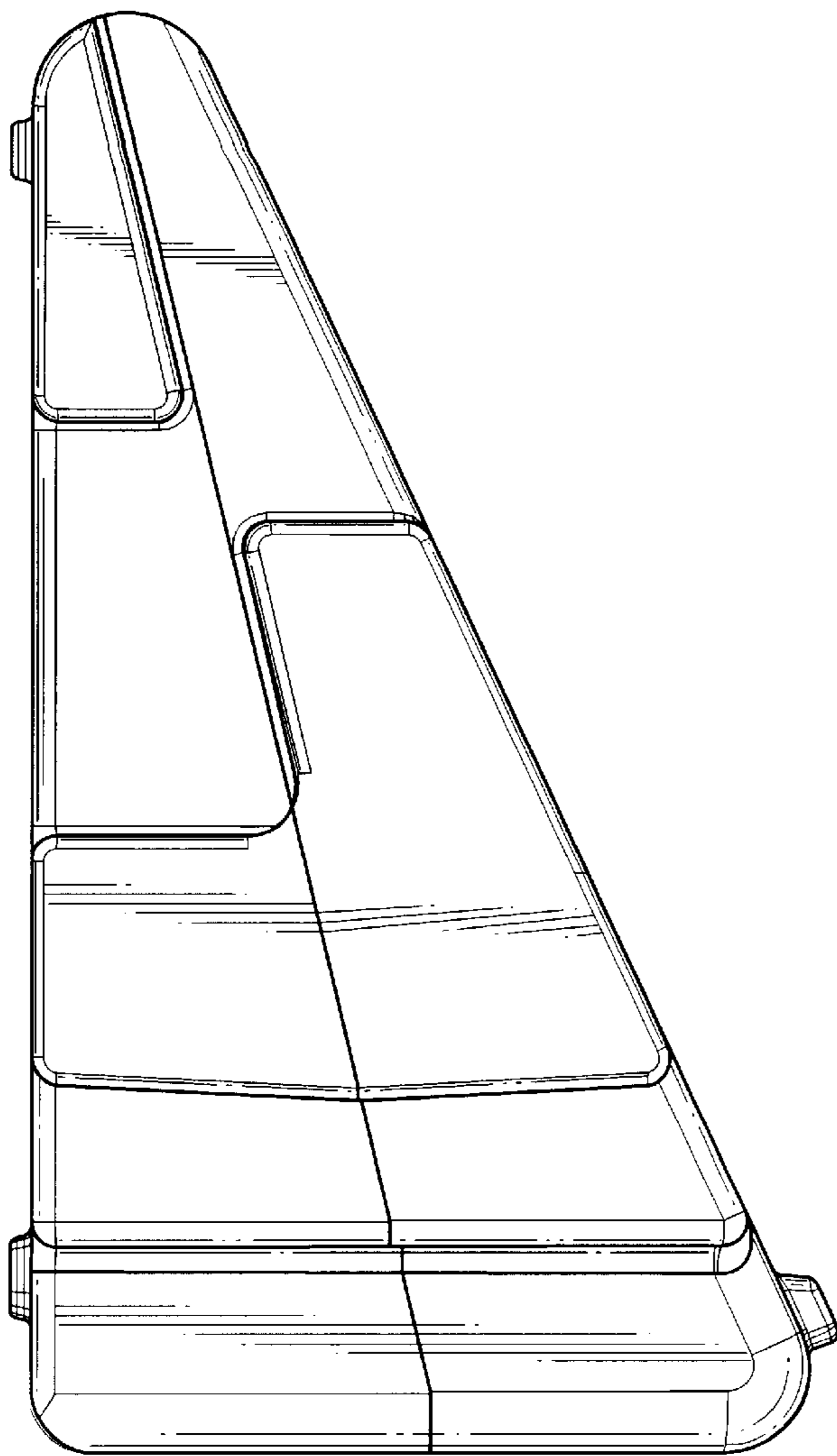


Fig. 3

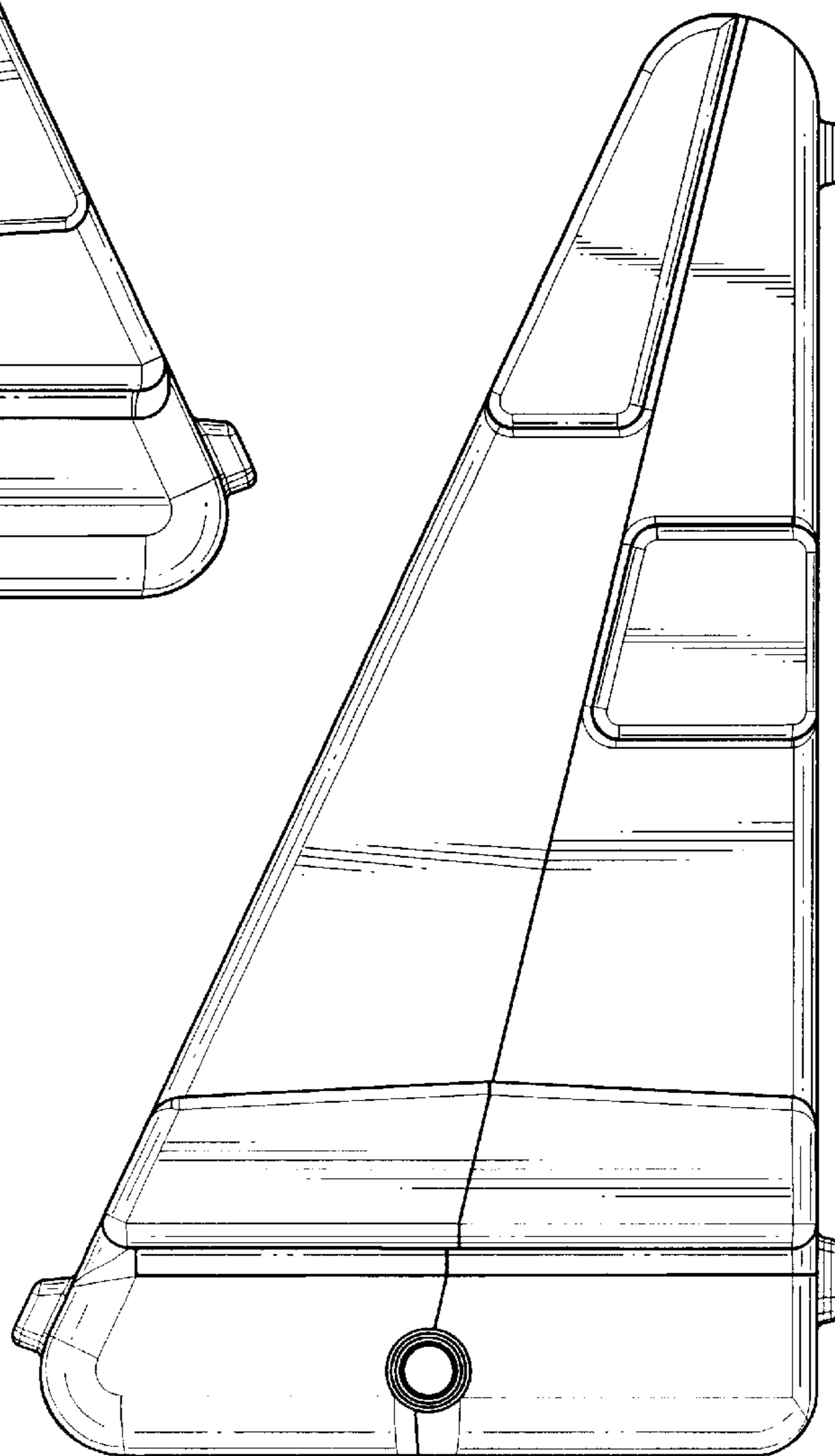


Fig. 4

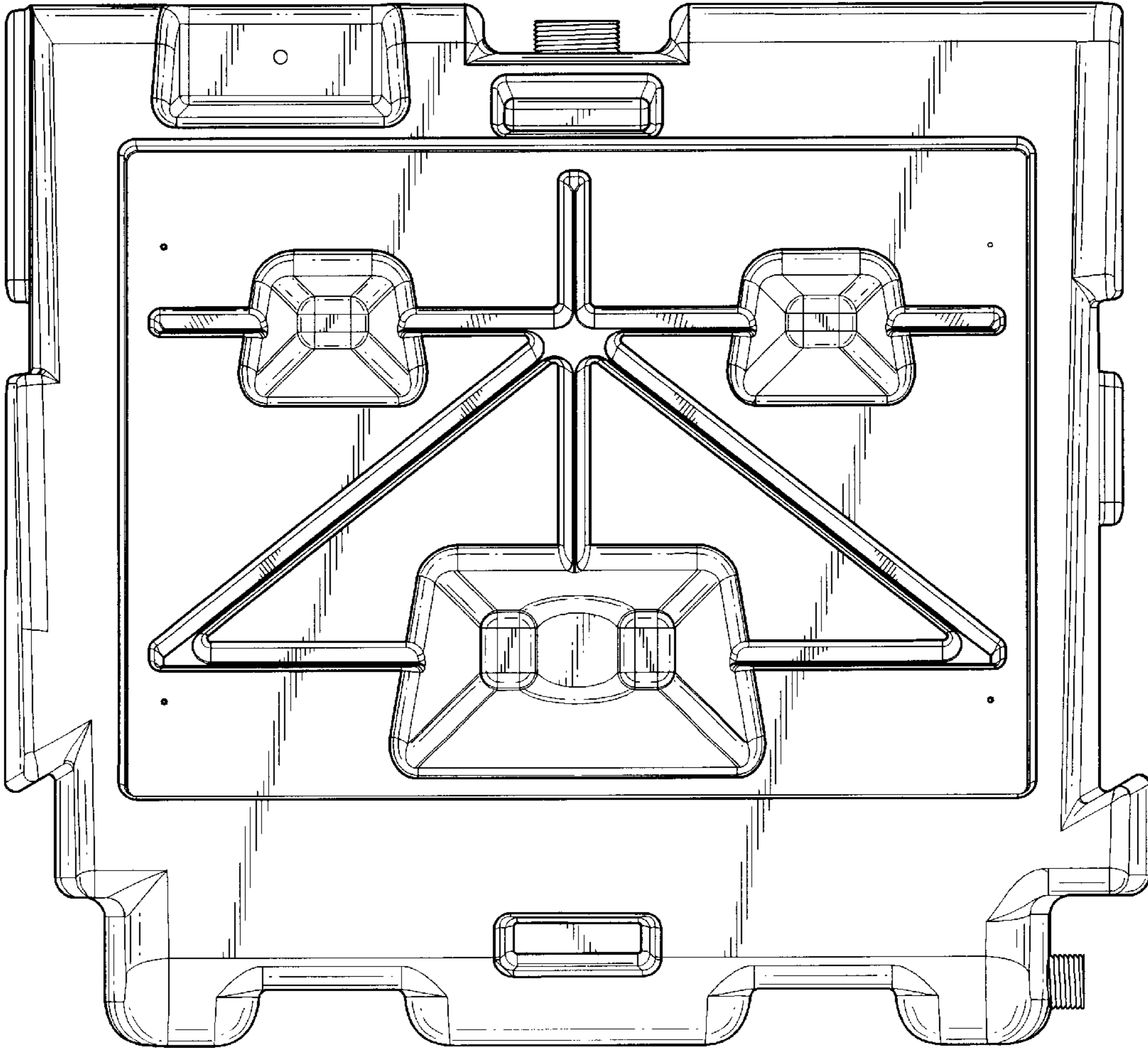


Fig. 5

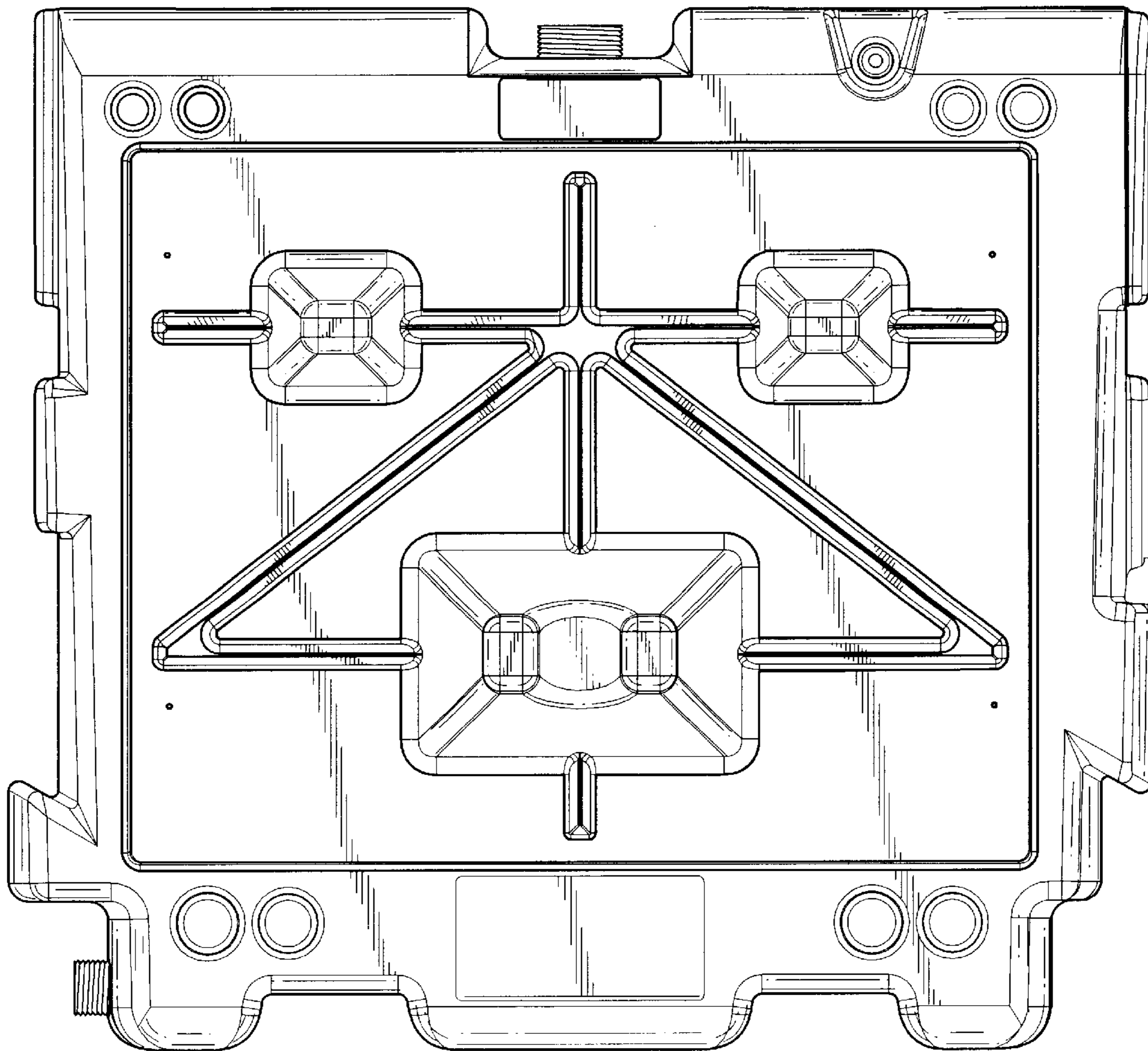


Fig. 6

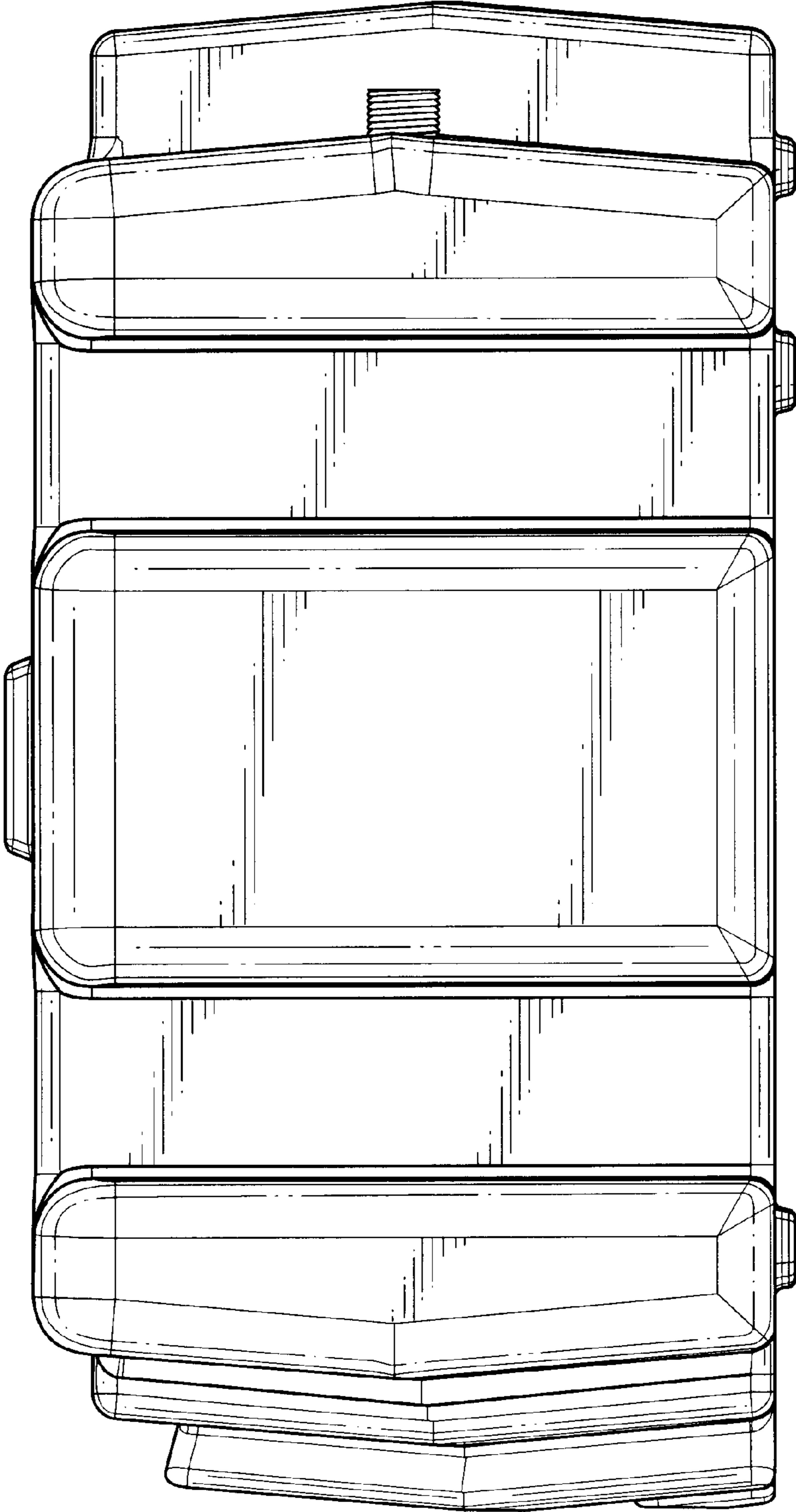


Fig. 7

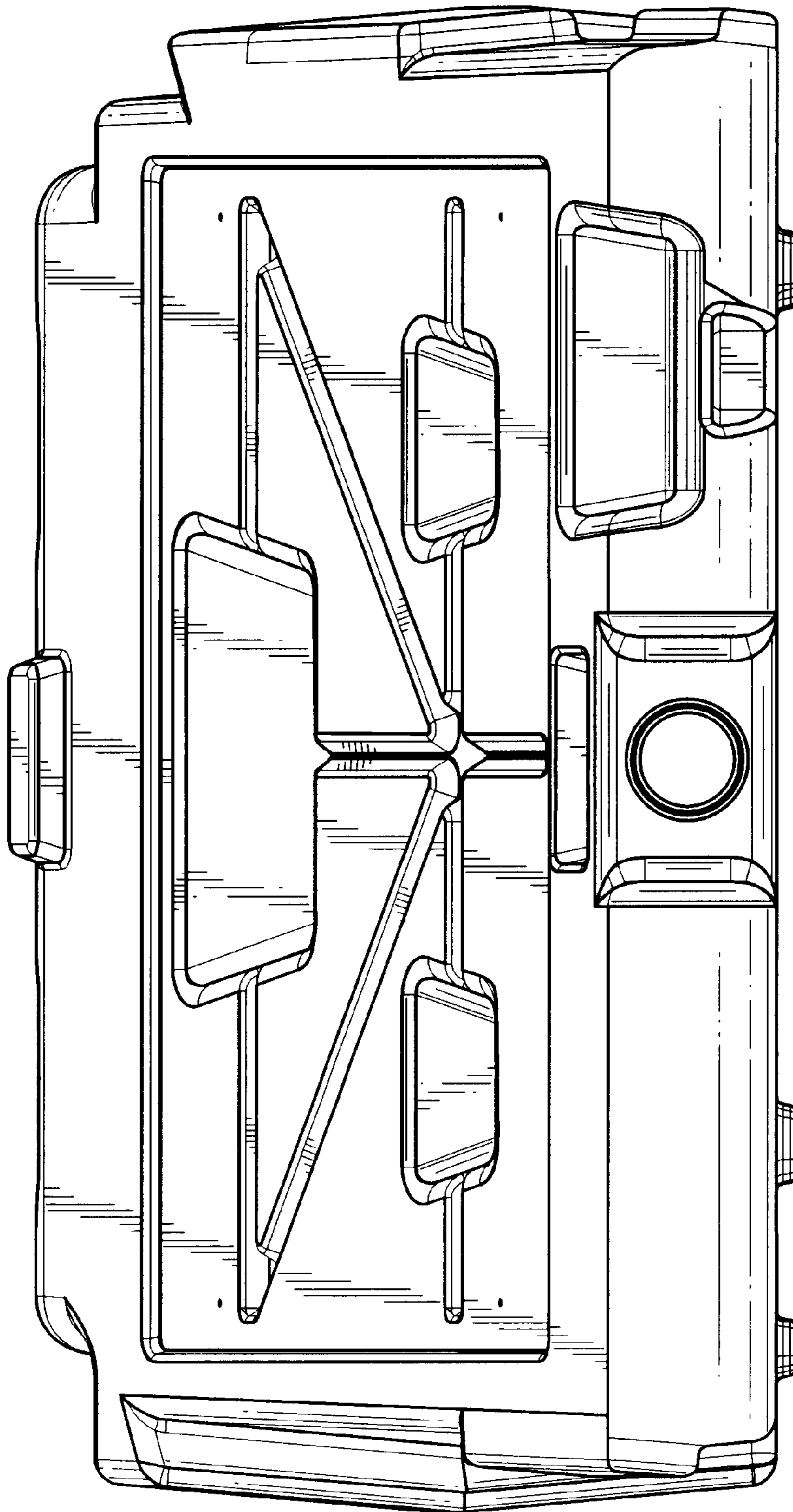


Fig. 8