



US00D533278S

(12) **United States Design Patent**
Luginbuhl et al.

(10) **Patent No.:** **US D533,278 S**
(45) **Date of Patent:** **** Dec. 5, 2006**

(54) **PATIENT SUPPORT FOR PRONE IMAGING AND INTERVENTION TABLE**

(75) Inventors: **Chris Luginbuhl**, 382 Rhodes Avenue, Toronto, Ontario (CA), M4L 3A5; **Cameron Piron**, 398 Avenue Road #428, Toronto, Ontario (CA), M4V 2H4; **Donald B. Plewes**, 54 Rykert Cres., Toronto, Ontario (CA), M4G 2S9

(73) Assignees: **Chris Luginbuhl**, Ontario (CA); **Cameron Piron**, Ontario (CA); **Donald B. Plewes**, Ontario (CA)

(**) Term: **14 Years**

(21) Appl. No.: **29/220,988**

(22) Filed: **Jan. 7, 2005**

Related U.S. Application Data

(63) Continuation-in-part of application No. 10/916,738, filed on Aug. 12, 2004.

(51) **LOC (8) Cl.** **24-01**

(52) **U.S. Cl.** **D24/159**

(58) **Field of Classification Search** D24/158-160, D24/186, 183; 5/600, 601, 621
See application file for complete search history.

(56) **References Cited**

U.S. PATENT DOCUMENTS

- 6,003,174 A * 12/1999 Kantrowitz et al. 5/601
- D436,175 S * 1/2001 Tumey et al. D24/183
- 6,508,181 B1 * 1/2003 Odell 5/601
- 6,721,977 B1 * 4/2004 Solesbee et al. 5/600

- 6,782,571 B1 * 8/2004 Josephson et al. 5/601
- 2002/0056160 A1 * 5/2002 Falbo et al. 5/600
- 2004/0216234 A1 * 11/2004 Wake et al. 5/601
- 2005/0028279 A1 * 2/2005 de Mooy 5/601
- 2005/0251914 A1 * 11/2005 Schaller et al. 5/601

* cited by examiner

Primary Examiner—Louis S. Zarfaz

Assistant Examiner—Daniel Yu

(74) *Attorney, Agent, or Firm*—Mark A. Litman & Associates, P.A.

(57) **CLAIM**

The ornamental design of a patient support for prone imaging and intervention table, as shown and described.

DESCRIPTION

FIG. 1 is a rearward-looking perspective view of a patient support for prone imaging and intervention table showing our new design;

FIG. 2 is a forward-looking perspective view thereof;

FIG. 3 is a front view thereof;

FIG. 4 is a back view thereof;

FIG. 5 is a side view thereof;

FIG. 6 is a top plan view thereof;

FIG. 7 is a rearward-looking perspective view of a second embodiment of a patient support for prone imaging and intervention table showing our new design;

FIG. 8 is a forward-looking perspective view thereof;

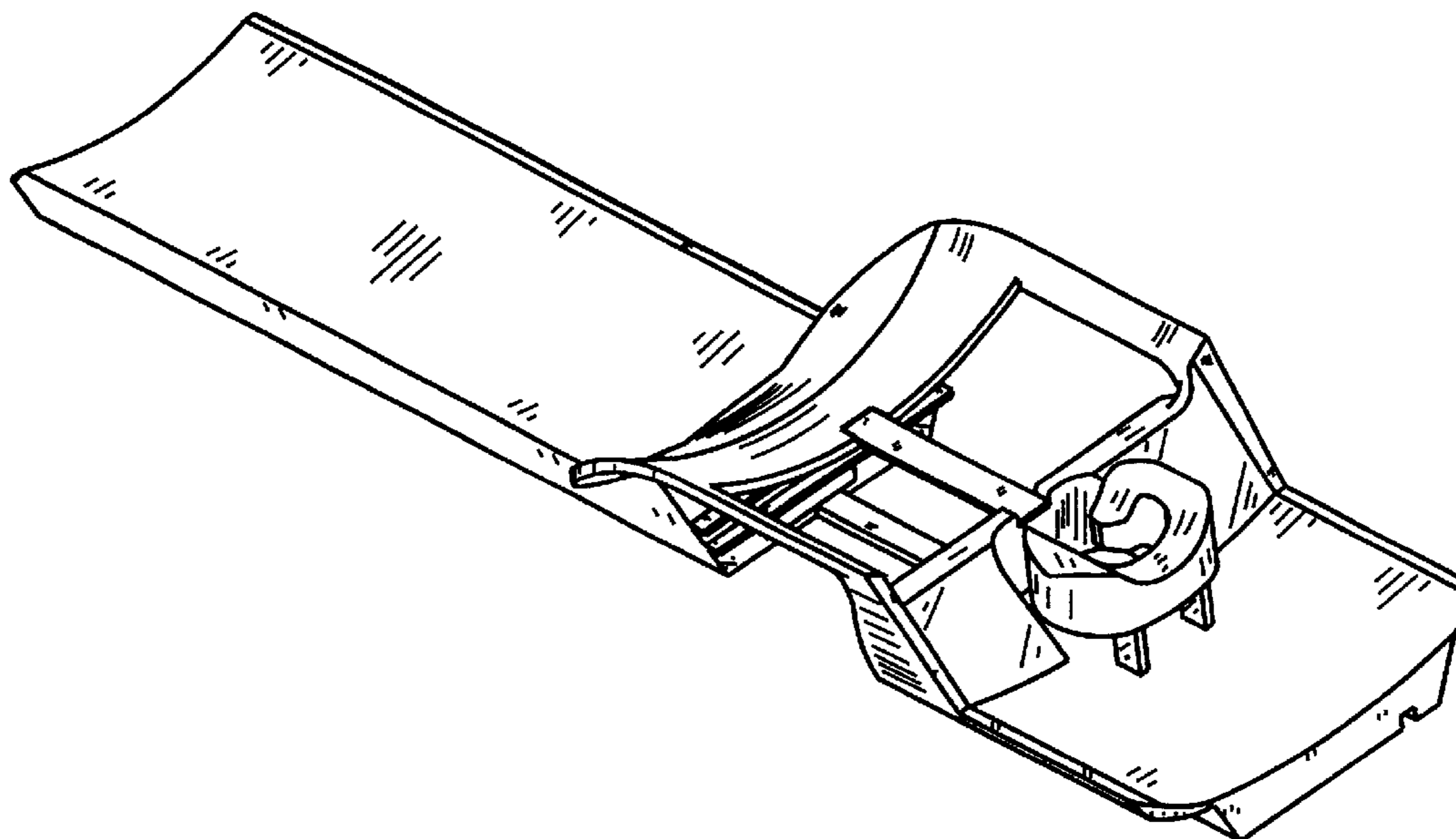
FIG. 9 is a front view thereof;

FIG. 10 is a back view thereof;

FIG. 11 is a side view thereof; and,

FIG. 12 top plan view thereof.

1 Claim, 4 Drawing Sheets



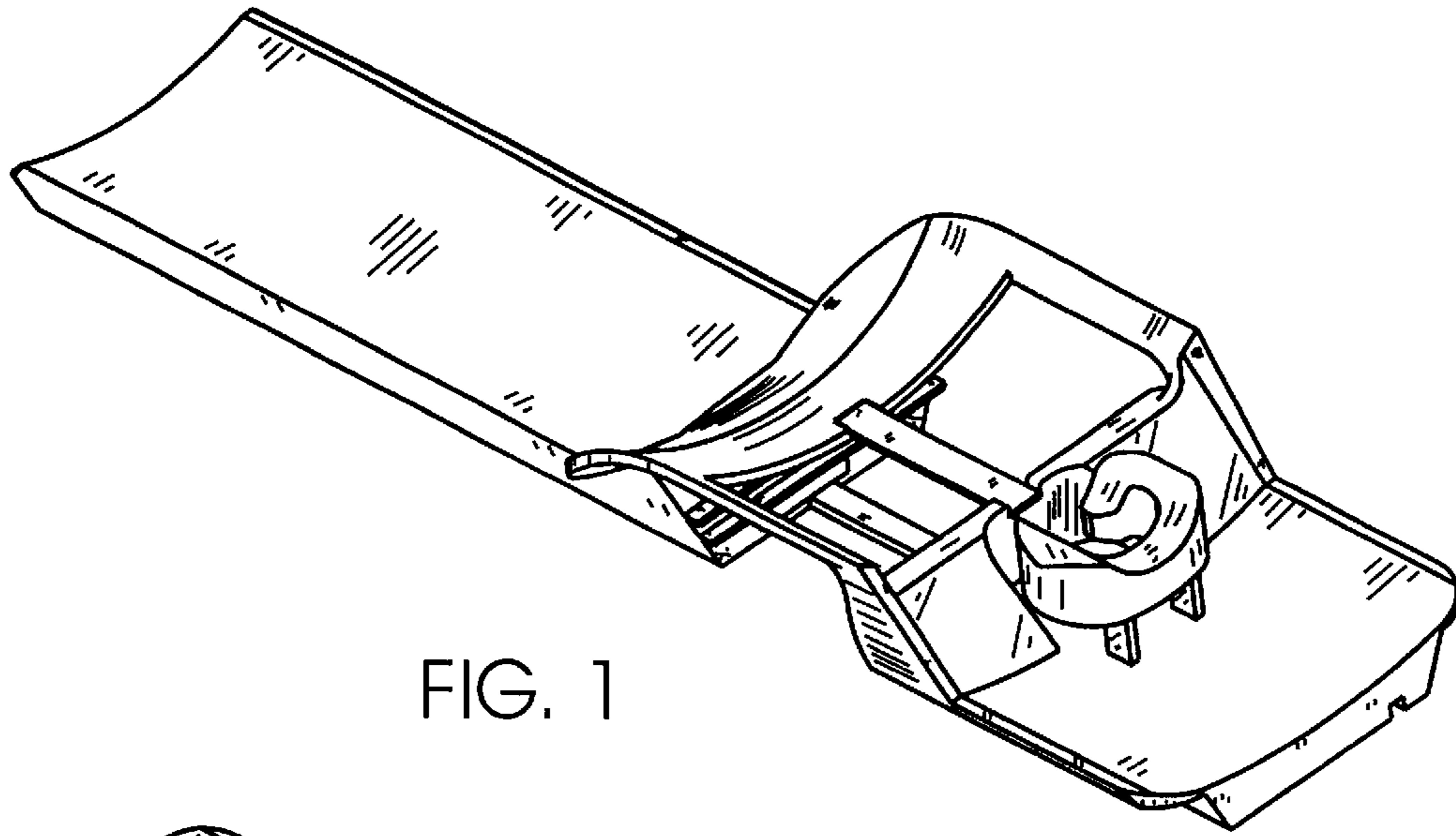


FIG. 1

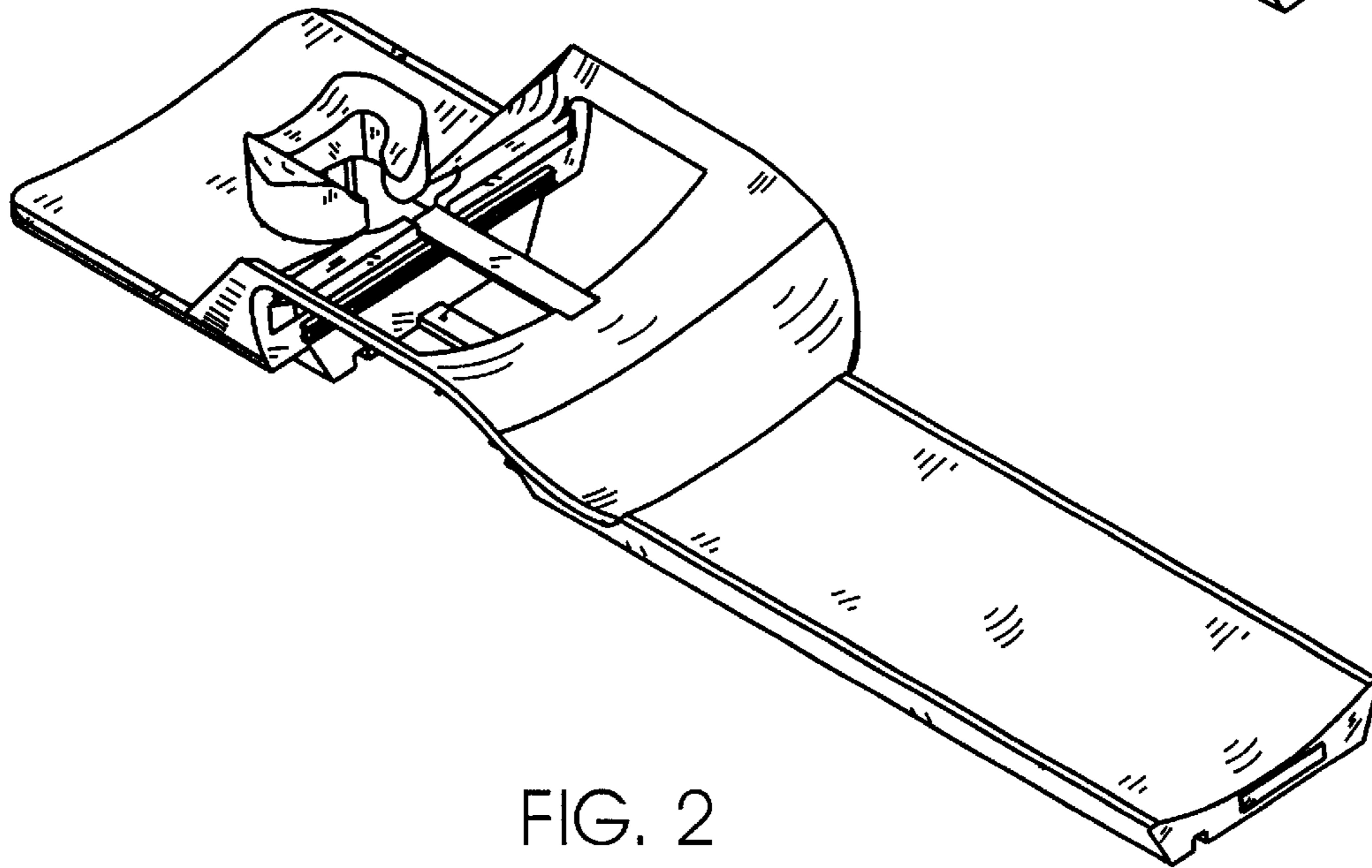


FIG. 2

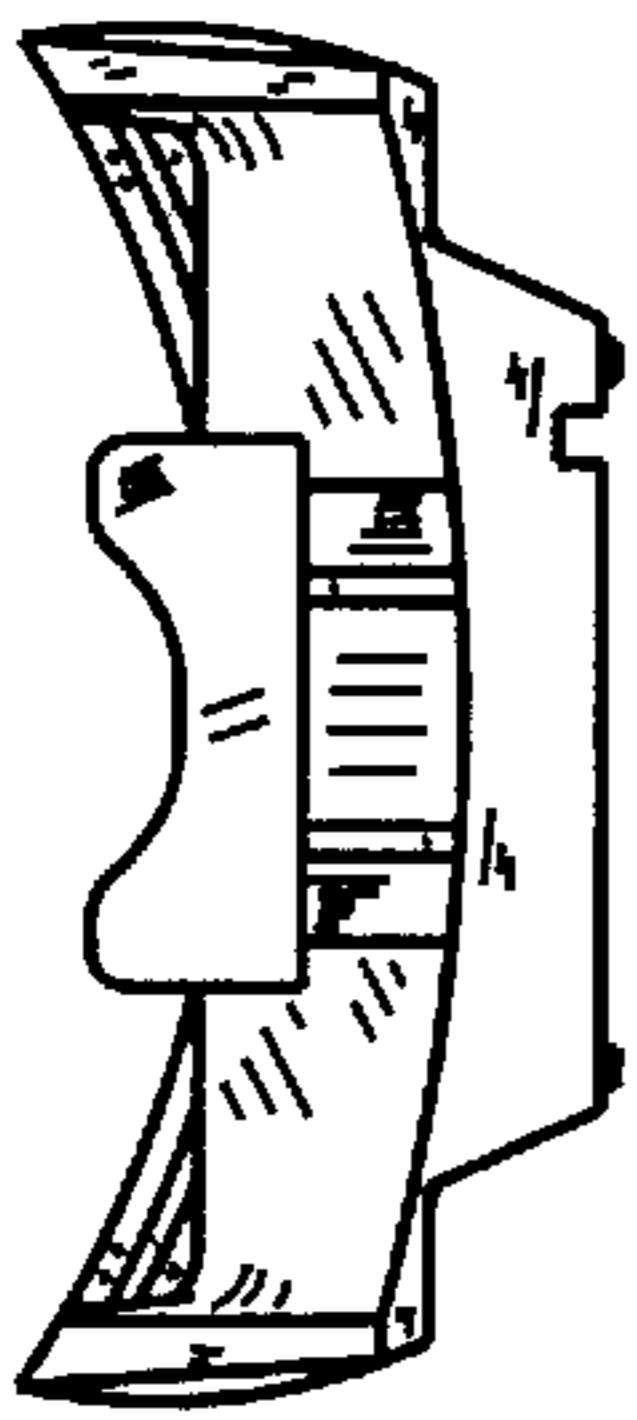


FIG. 3

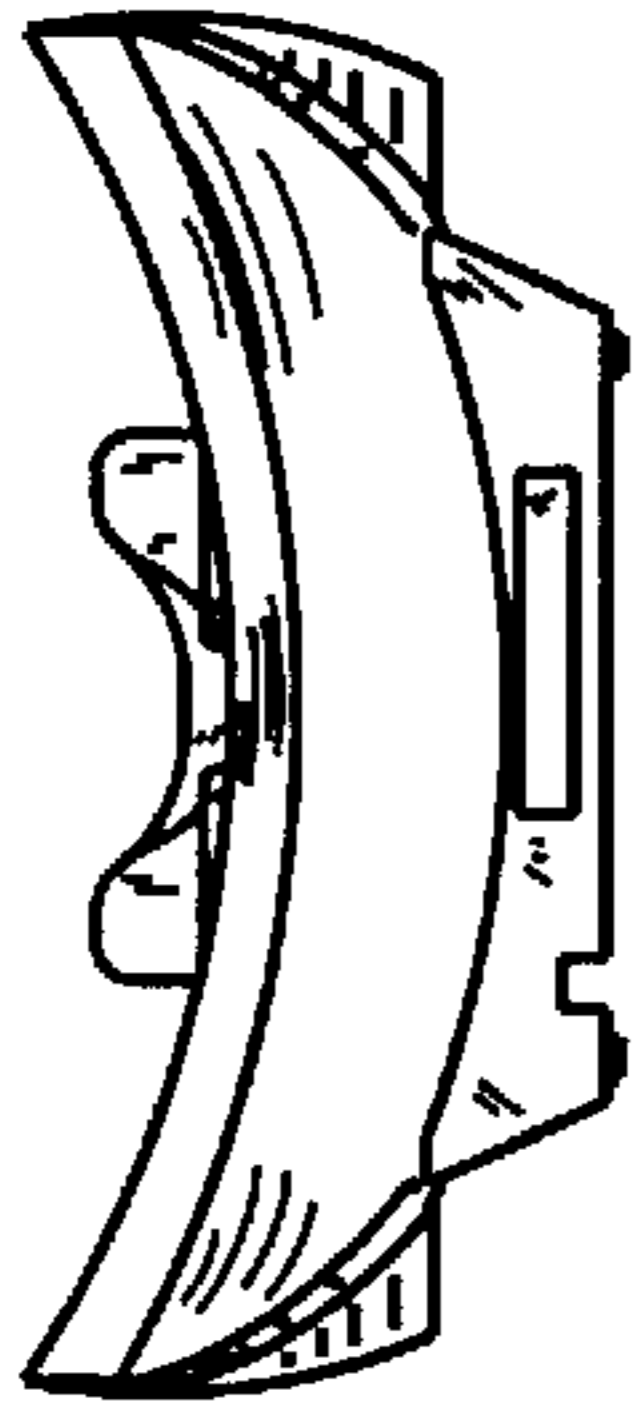


FIG. 4

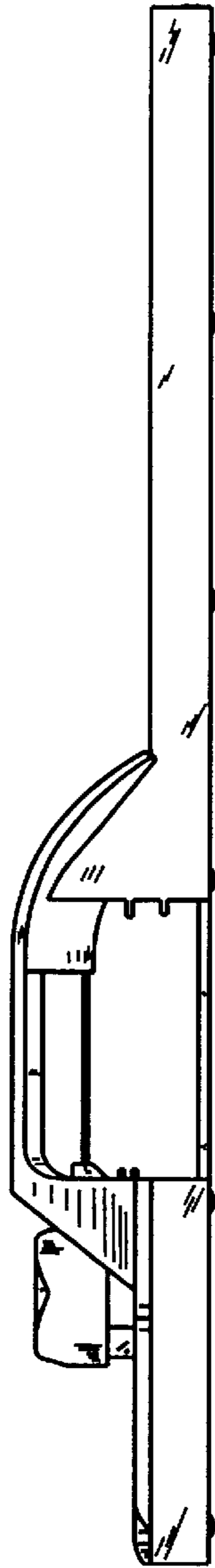


FIG. 5

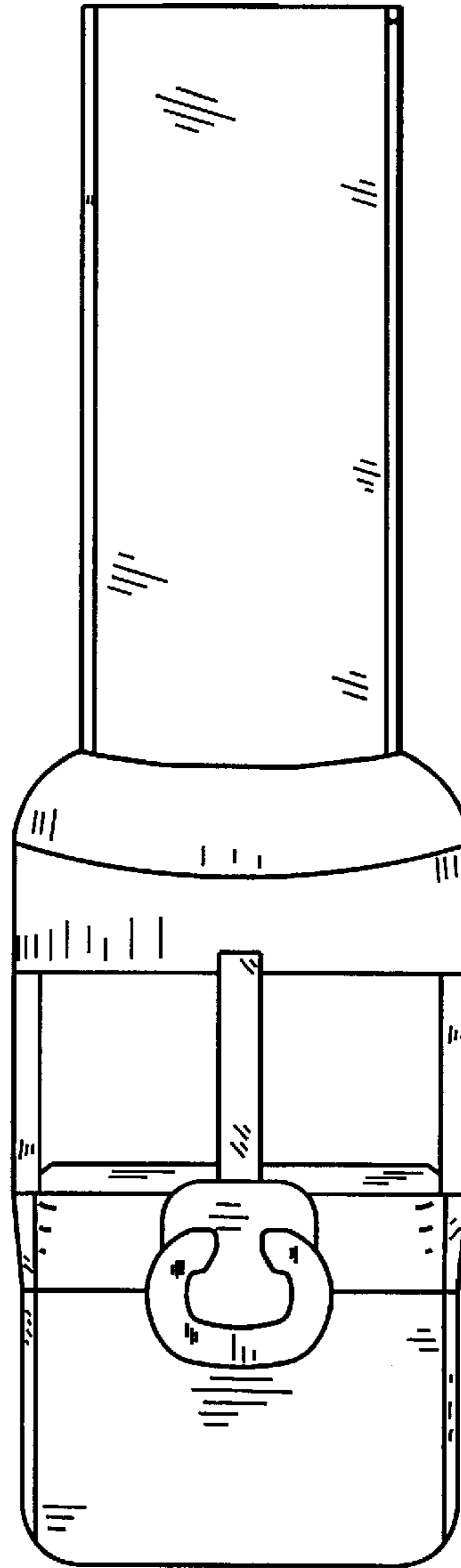


FIG. 6

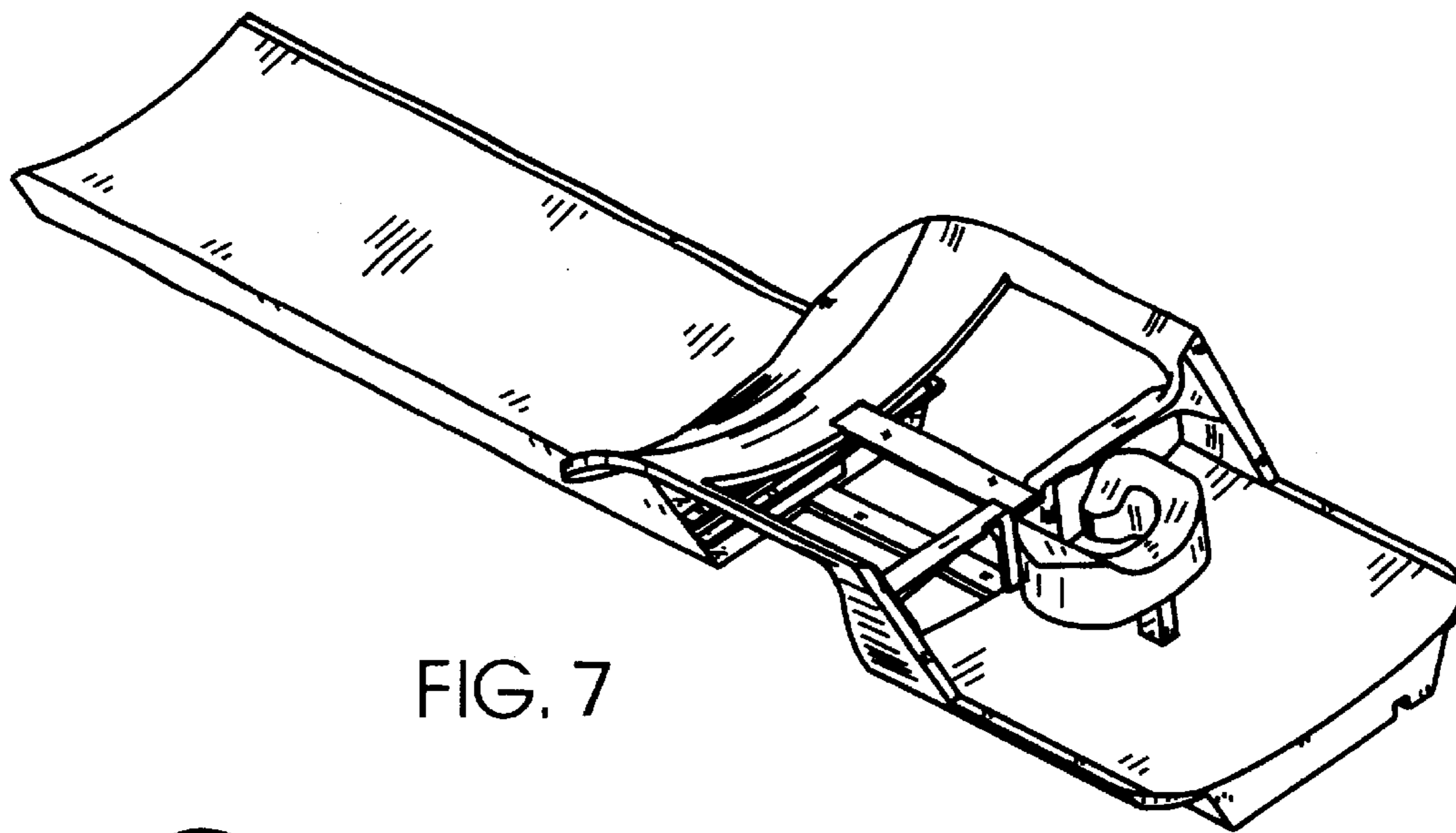


FIG. 7

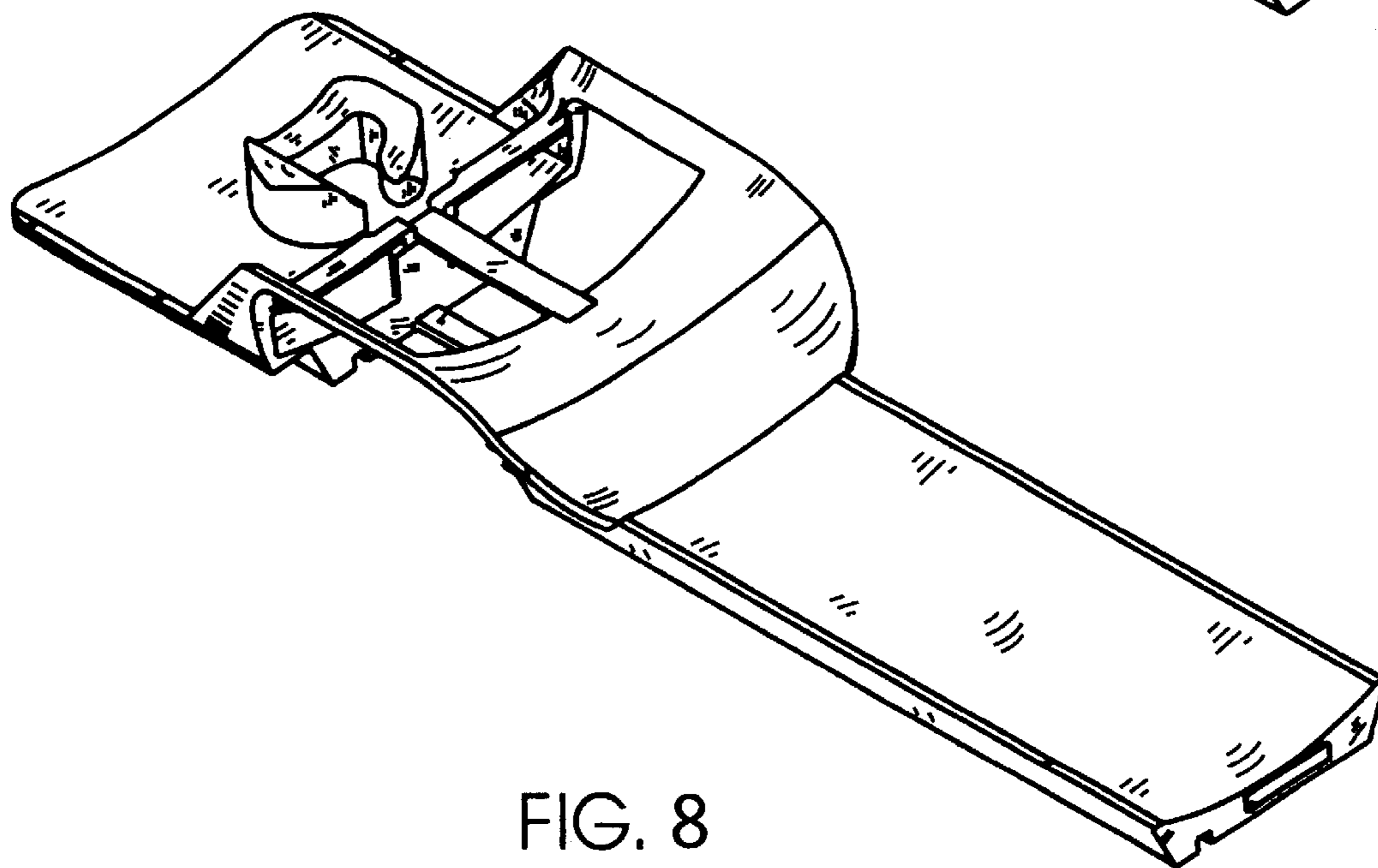


FIG. 8

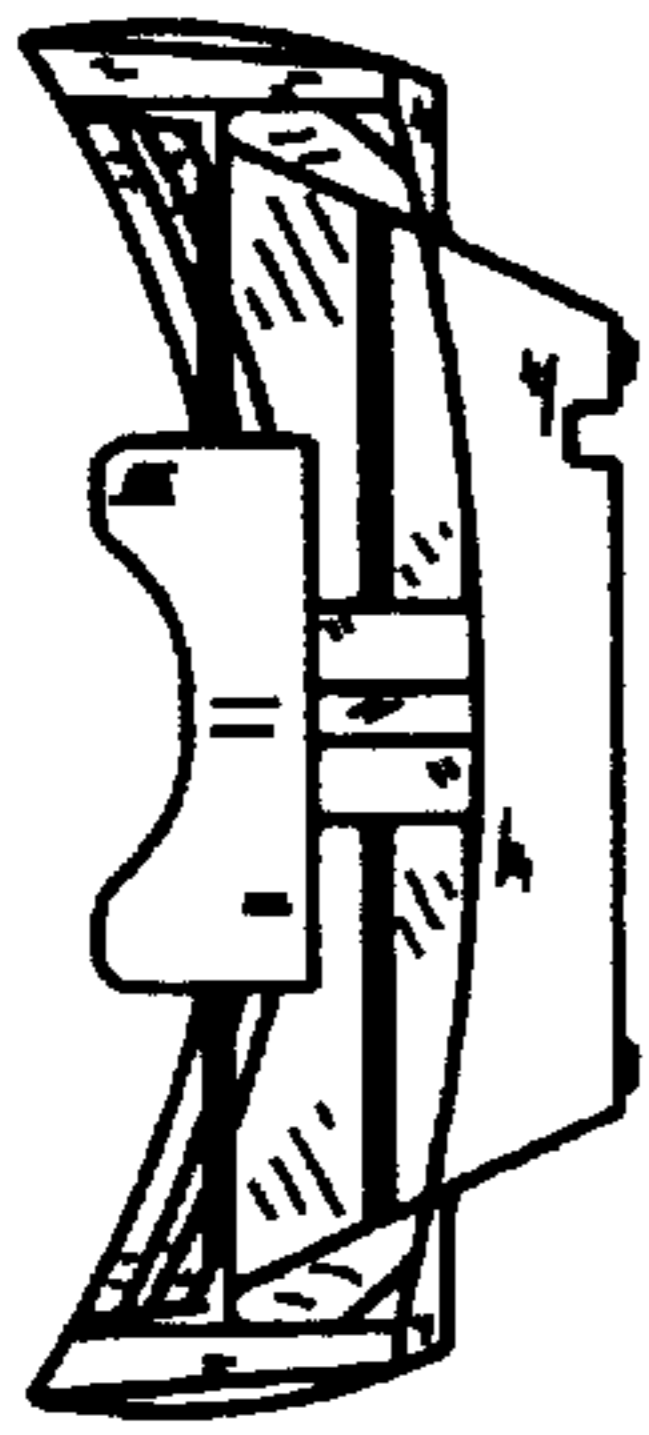


FIG. 9

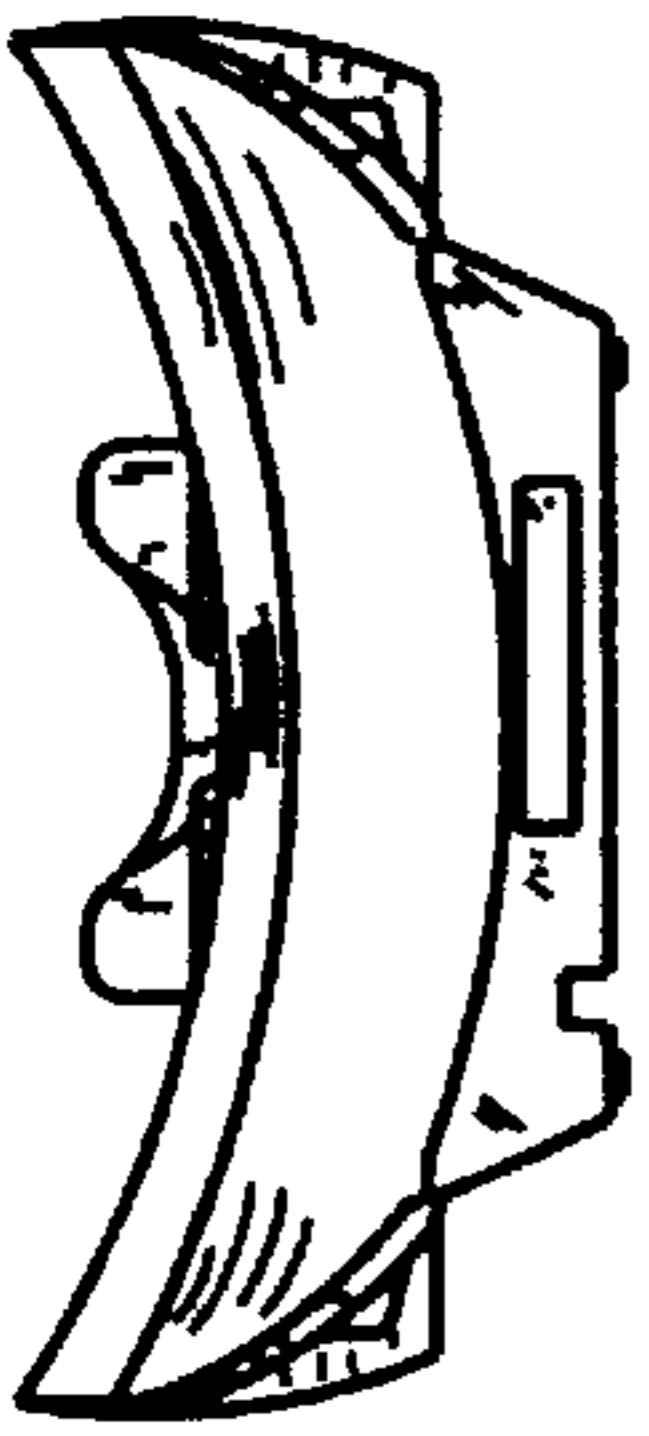


FIG. 10

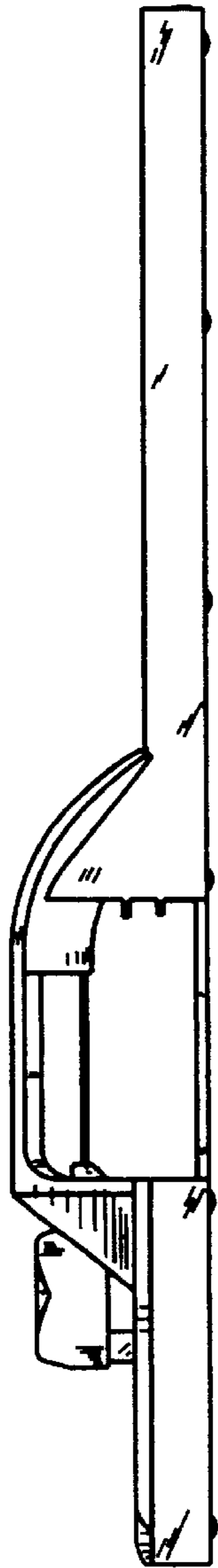


FIG. 11

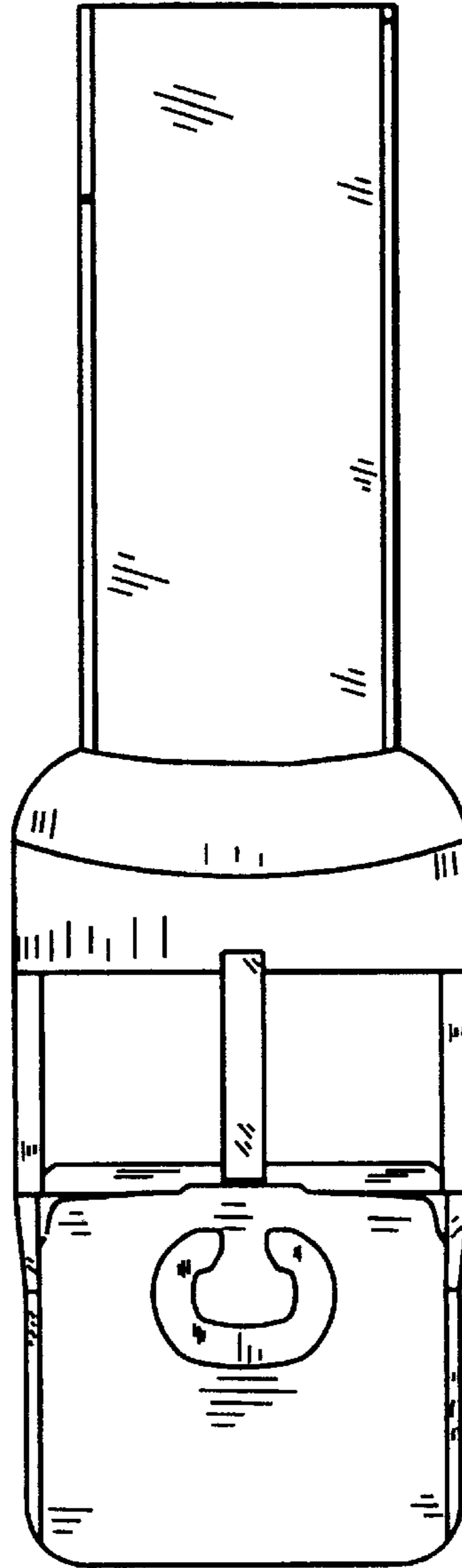


FIG. 12