



US00D533277S

(12) **United States Design Patent** (10) **Patent No.:** **US D533,277 S**  
**Blain** (45) **Date of Patent:** **\*\* Dec. 5, 2006**

(54) **INTERBODY FUSION DEVICE**  
(75) Inventor: **Jason Blain**, Encinitas, CA (US)  
(73) Assignee: **Quantum Orthopedics, Inc.**, Carlsbad, CA (US)  
(\*\*) Term: **14 Years**  
(21) Appl. No.: **29/242,012**  
(22) Filed: **Nov. 4, 2005**  
(51) **LOC (8) Cl.** ..... **24-03**  
(52) **U.S. Cl.** ..... **D24/155**  
(58) **Field of Classification Search** ..... D24/155;  
606/61, 72, 74; 623/17.16, 17.17, 11.11  
See application file for complete search history.

6,730,127 B1 5/2004 Michelson  
6,746,484 B1 \* 6/2004 Liu et al. .... 623/17.16  
D493,225 S 7/2004 Varga et al.  
D494,274 S 8/2004 Varga et al.  
6,824,564 B1 \* 11/2004 Crozet ..... 623/17.11  
D501,555 S 2/2005 Varga et al.  
D503,801 S \* 4/2005 Jackson ..... D24/155  
6,942,698 B1 \* 9/2005 Jackson ..... 623/17.16  
6,955,691 B1 \* 10/2005 Chae et al. .... 623/17.16  
6,964,687 B1 \* 11/2005 Bernard et al. .... 623/17.11  
6,972,019 B1 \* 12/2005 Michelson ..... 623/17.16  
6,974,480 B1 \* 12/2005 Messerli et al. .... 623/17.16  
6,979,353 B1 \* 12/2005 Bresina ..... 623/17.16  
6,989,031 B1 \* 1/2006 Michelson ..... D24/155  
2002/0099376 A1 7/2002 Michelson  
2002/0103540 A1 8/2002 Cooper et al.  
2002/0143400 A1 10/2002 Biscup  
2003/0114931 A1 6/2003 Lee et al.  
2003/0139812 A1 7/2003 Garcia et al.  
2004/0117020 A1 6/2004 Frey et al.  
2004/0127990 A1 7/2004 Bartish, Jr. et al.  
2005/0004671 A1 1/2005 Ross et al.  
2005/0027360 A1 2/2005 Webb et al.  
2005/0038431 A1 2/2005 Bartish et al.  
2005/0096745 A1 5/2005 Andre et al.

(56) **References Cited**  
U.S. PATENT DOCUMENTS

5,425,772 A 6/1995 Brantigan  
5,443,514 A 8/1995 Steffee  
5,484,437 A 1/1996 Michelson  
5,658,337 A 8/1997 Kohrs et al.  
5,669,909 A 9/1997 Zdeblick et al.  
5,766,252 A \* 6/1998 Henry et al. .... 623/17.16  
5,782,919 A 7/1998 Zdeblick et al.  
5,888,223 A 3/1999 Bray, Jr.  
5,888,224 A 3/1999 Beckers et al.  
5,984,967 A 11/1999 Zdeblick et al.  
6,080,158 A 6/2000 Lin  
6,120,502 A 9/2000 Michelson  
6,132,465 A 10/2000 Ray et al.  
6,231,610 B1 5/2001 Geisler  
6,235,059 B1 5/2001 Benezech et al.  
6,245,108 B1 6/2001 Biscup  
6,290,724 B1 9/2001 Marino  
6,325,827 B1 12/2001 Lin  
6,342,055 B1 1/2002 Eisermann et al.  
6,375,655 B1 \* 4/2002 Zdeblick et al. .... 606/61  
6,409,766 B1 \* 6/2002 Brett ..... 623/17.16  
6,432,106 B1 8/2002 Fraser  
6,468,311 B1 \* 10/2002 Boyd et al. .... 623/17.16  
6,482,233 B1 11/2002 Aebi et al.  
D472,634 S \* 4/2003 Anderson ..... D24/155  
D473,650 S \* 4/2003 Anderson ..... D24/155  
6,613,091 B1 \* 9/2003 Zdeblick et al. .... 623/17.16  
6,676,703 B1 1/2004 Biscup  
6,726,722 B1 \* 4/2004 Walkenhorst et al. .... 623/17.11

\* cited by examiner

*Primary Examiner*—Charles A. Rademaker  
(74) *Attorney, Agent, or Firm*—Knobbe Martens Olson & Bear LLP

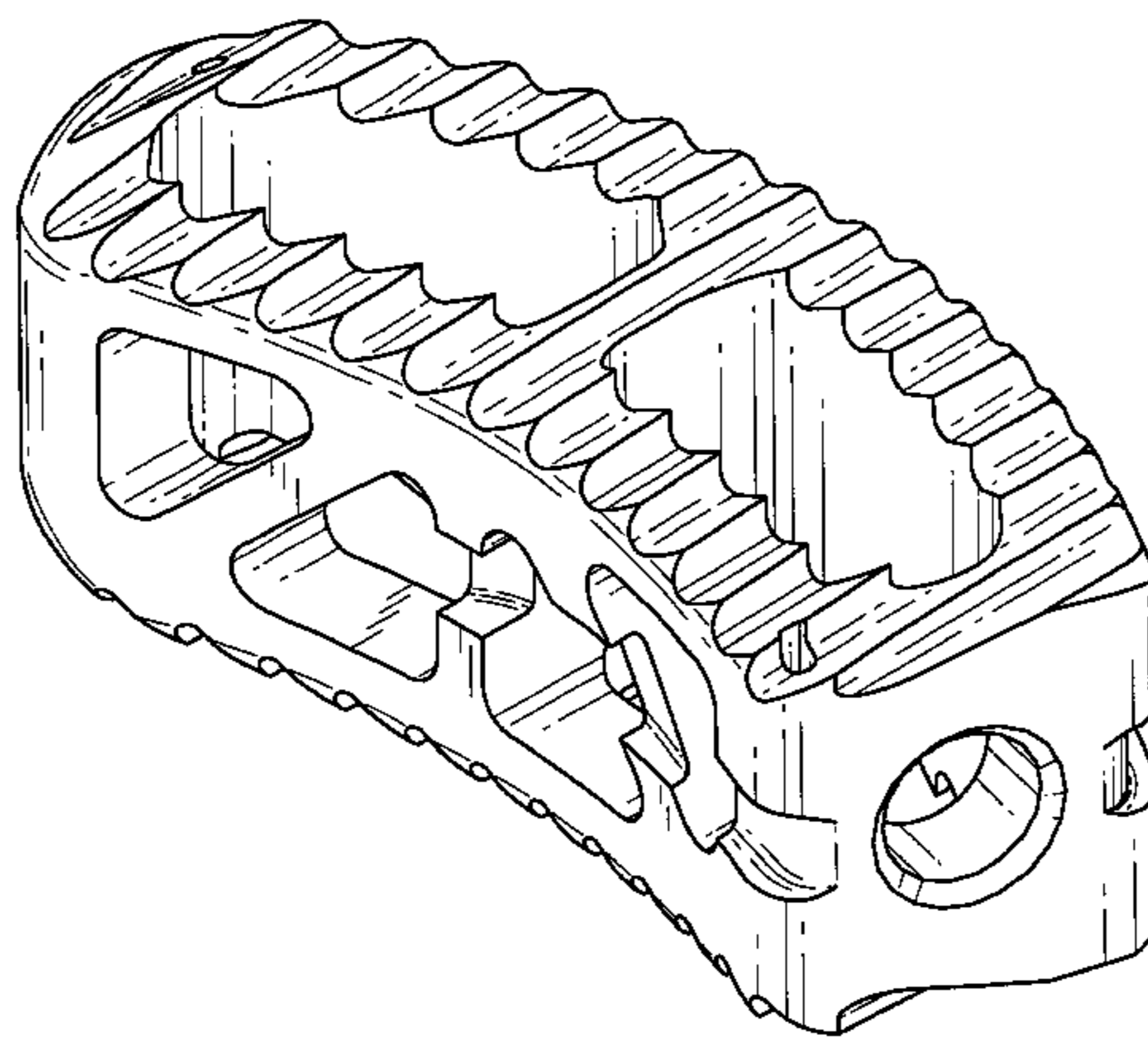
(57) **CLAIM**

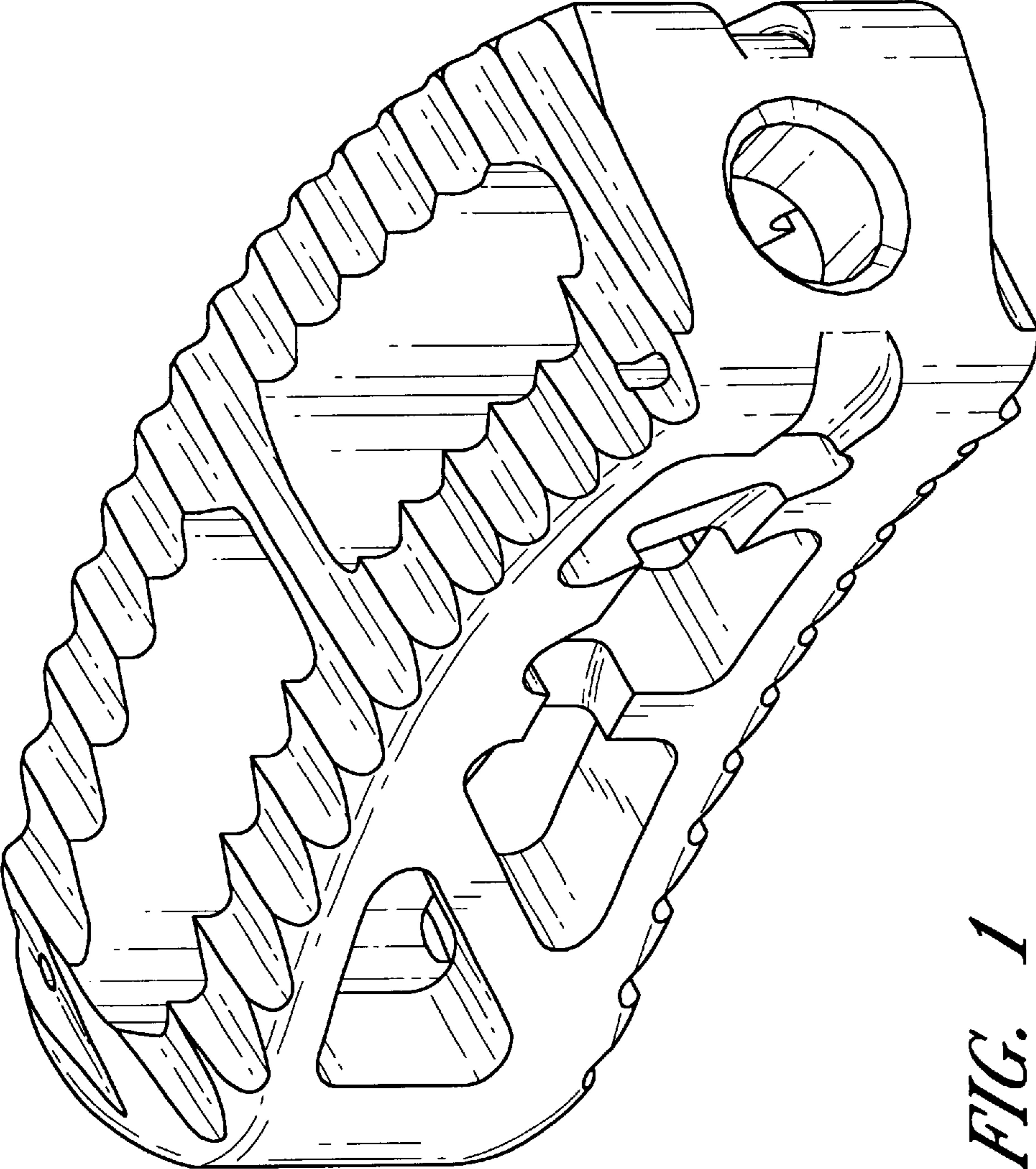
The ornamental design for an interbody fusion device, as shown and described.

**DESCRIPTION**

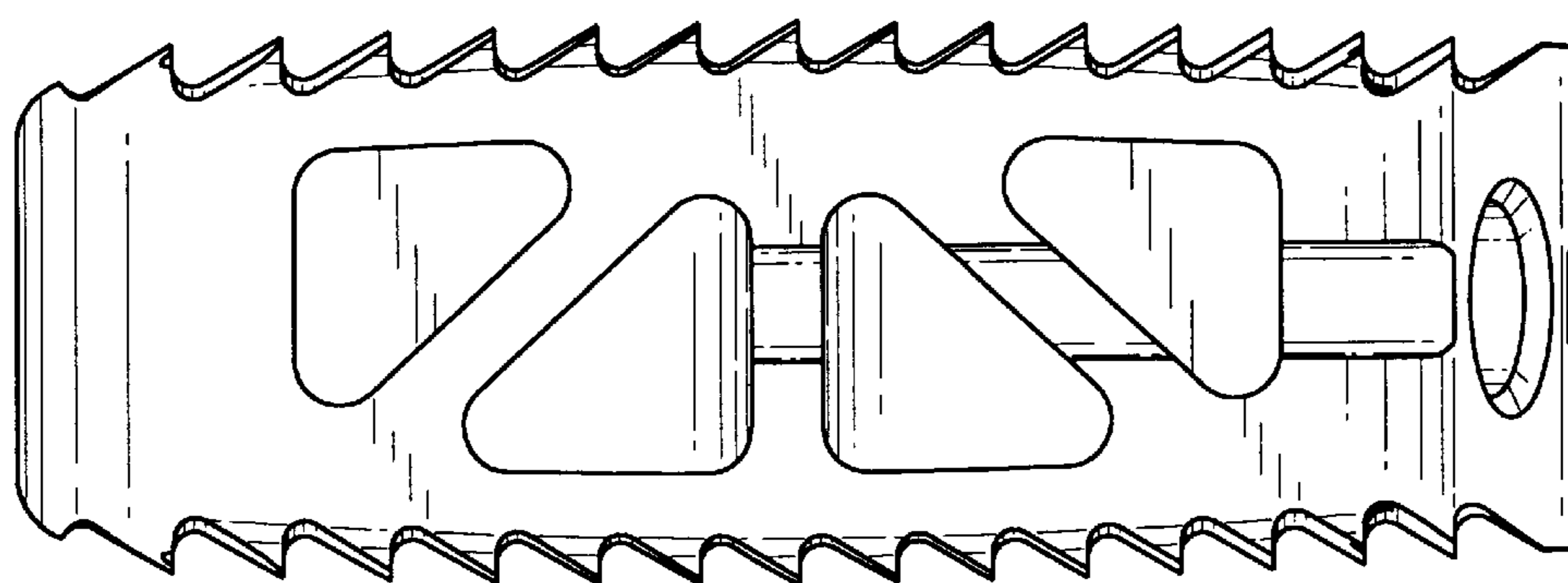
FIG. 1 is a rear perspective view of an interbody fusion device showing my new design; FIG. 2 is a right-side elevation thereof; FIG. 3 is a left-side elevation thereof; FIG. 4 is a rear elevation thereof; FIG. 5 is a front elevation thereof; FIG. 6 is a top plan view thereof; and, FIG. 7 is a bottom plan view thereof.

**1 Claim, 4 Drawing Sheets**

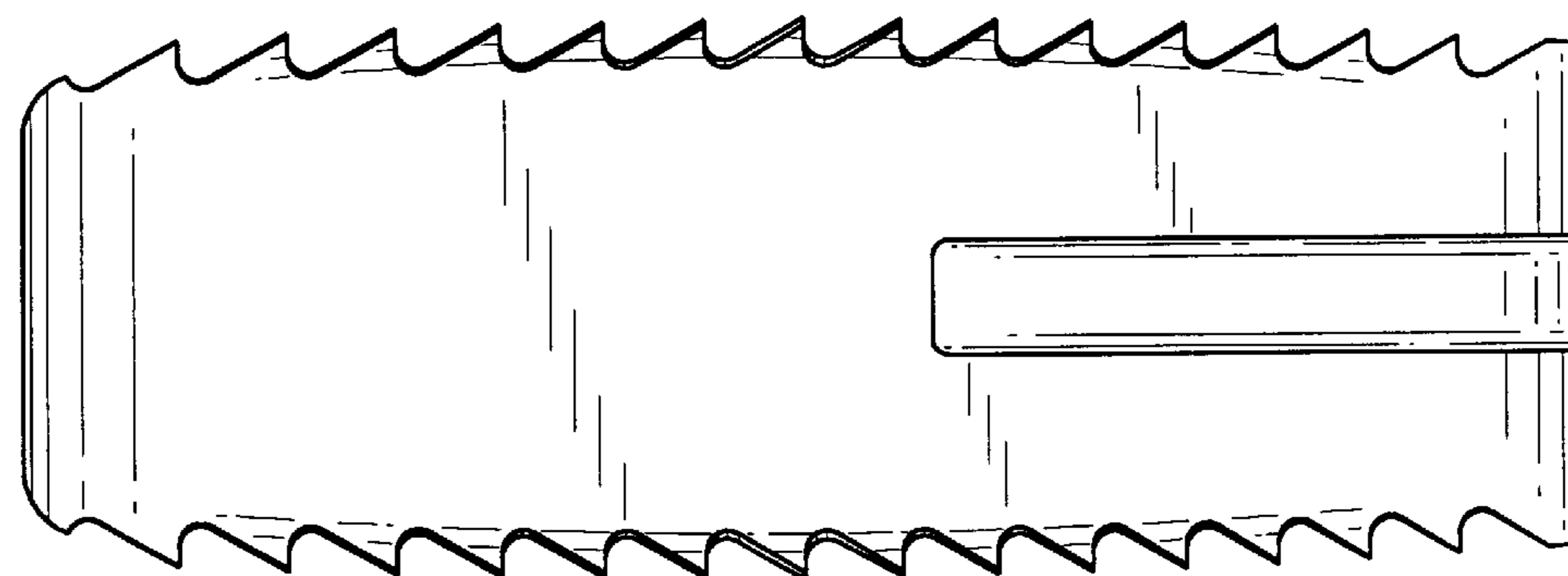




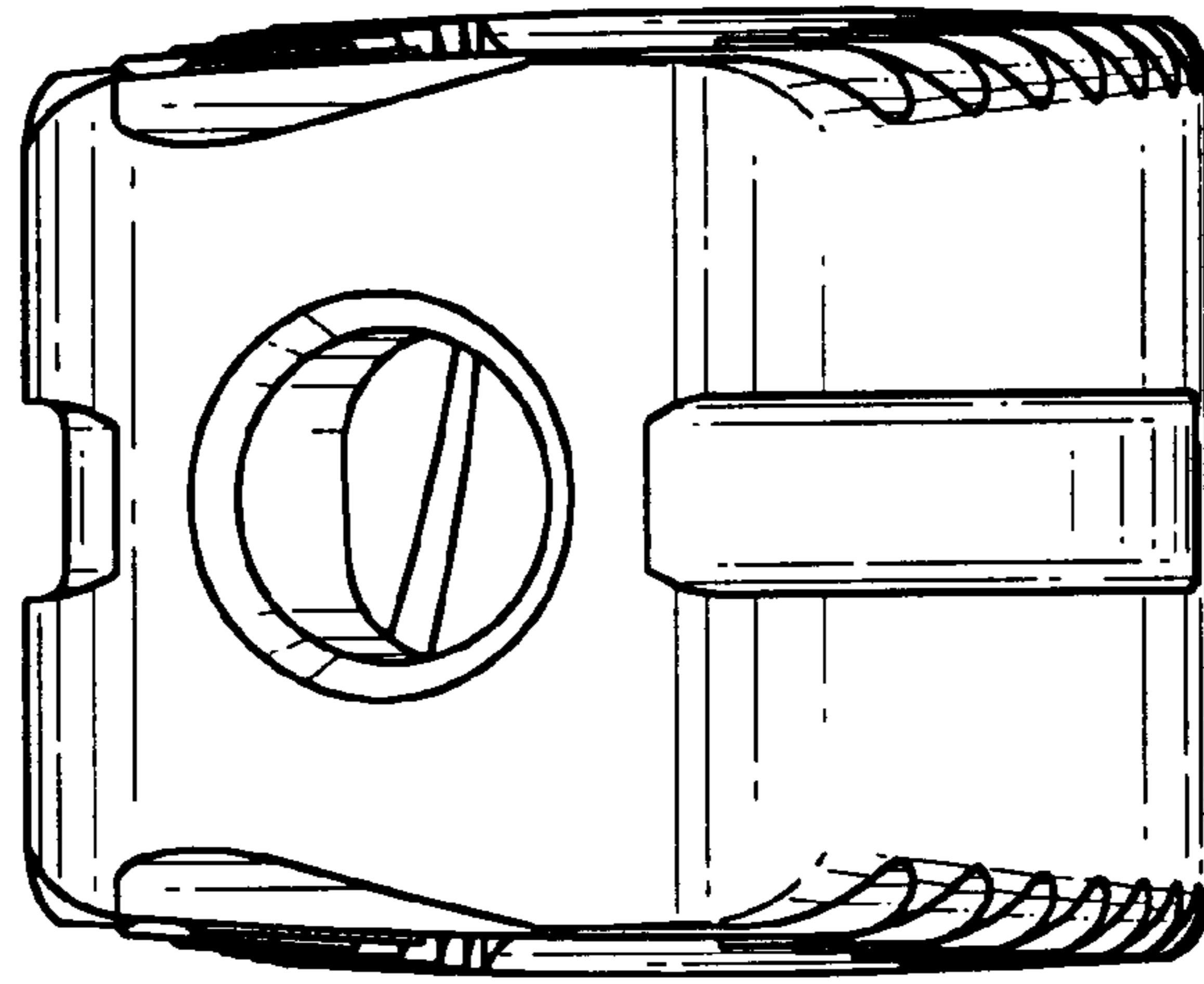
*FIG. 1*



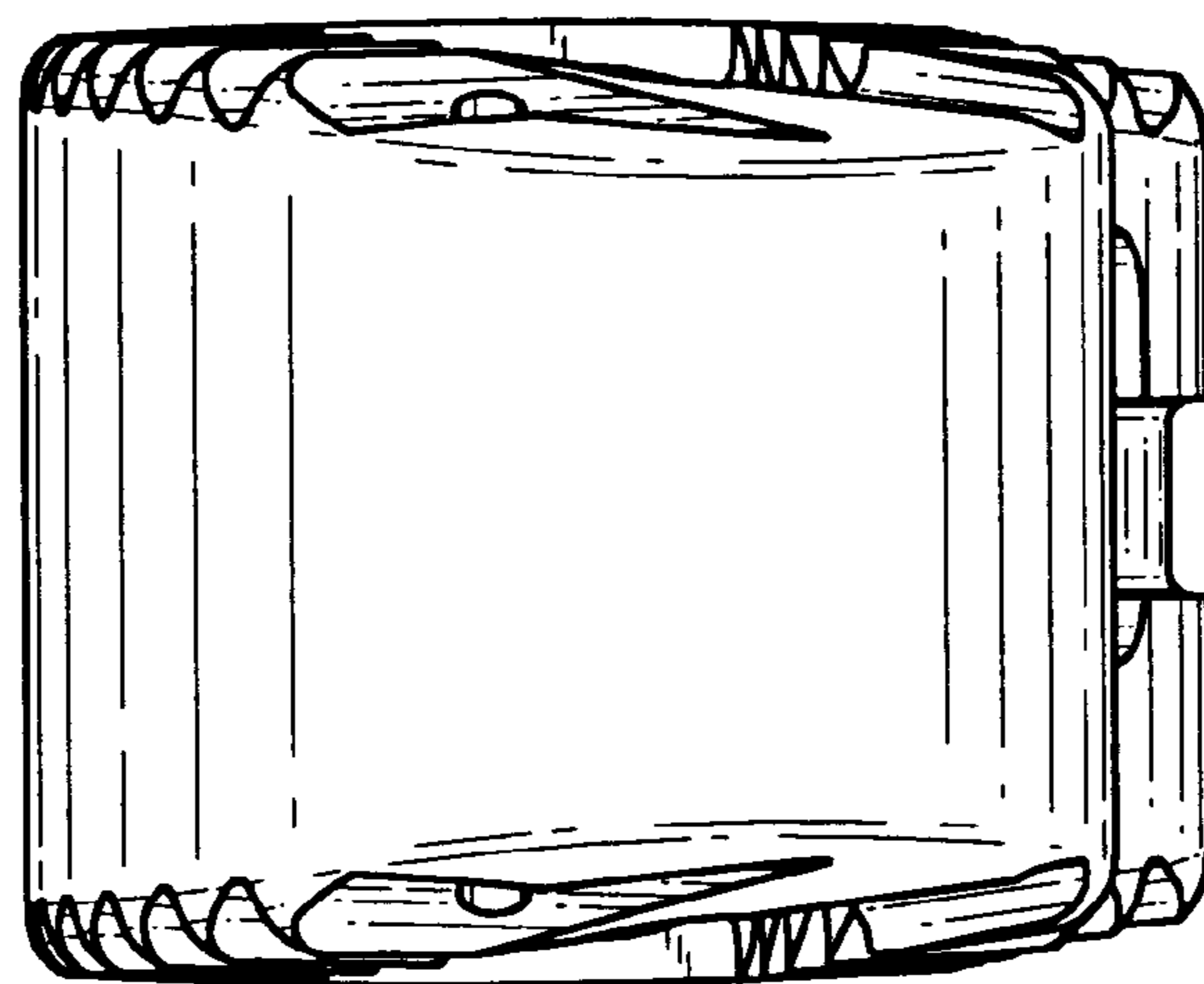
*FIG. 2*



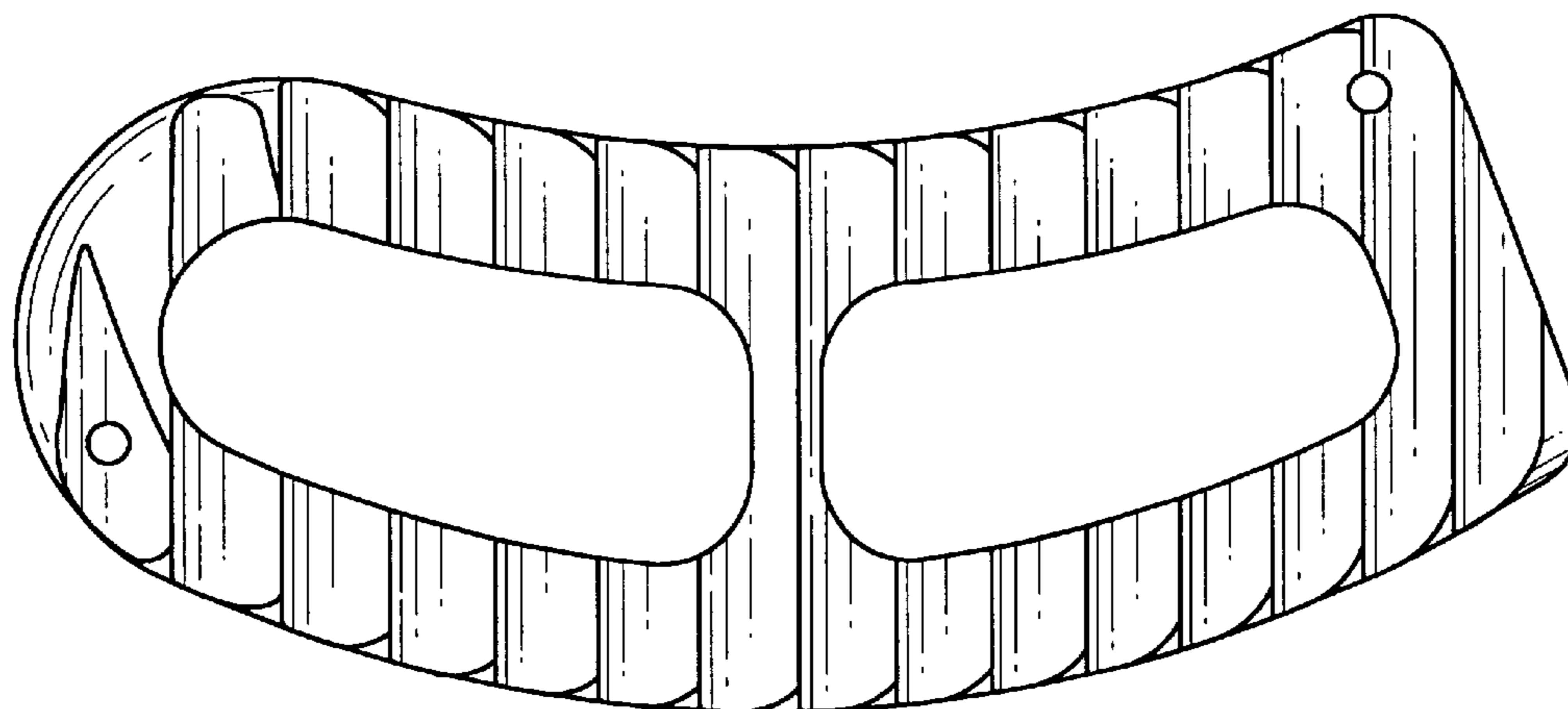
*FIG. 3*



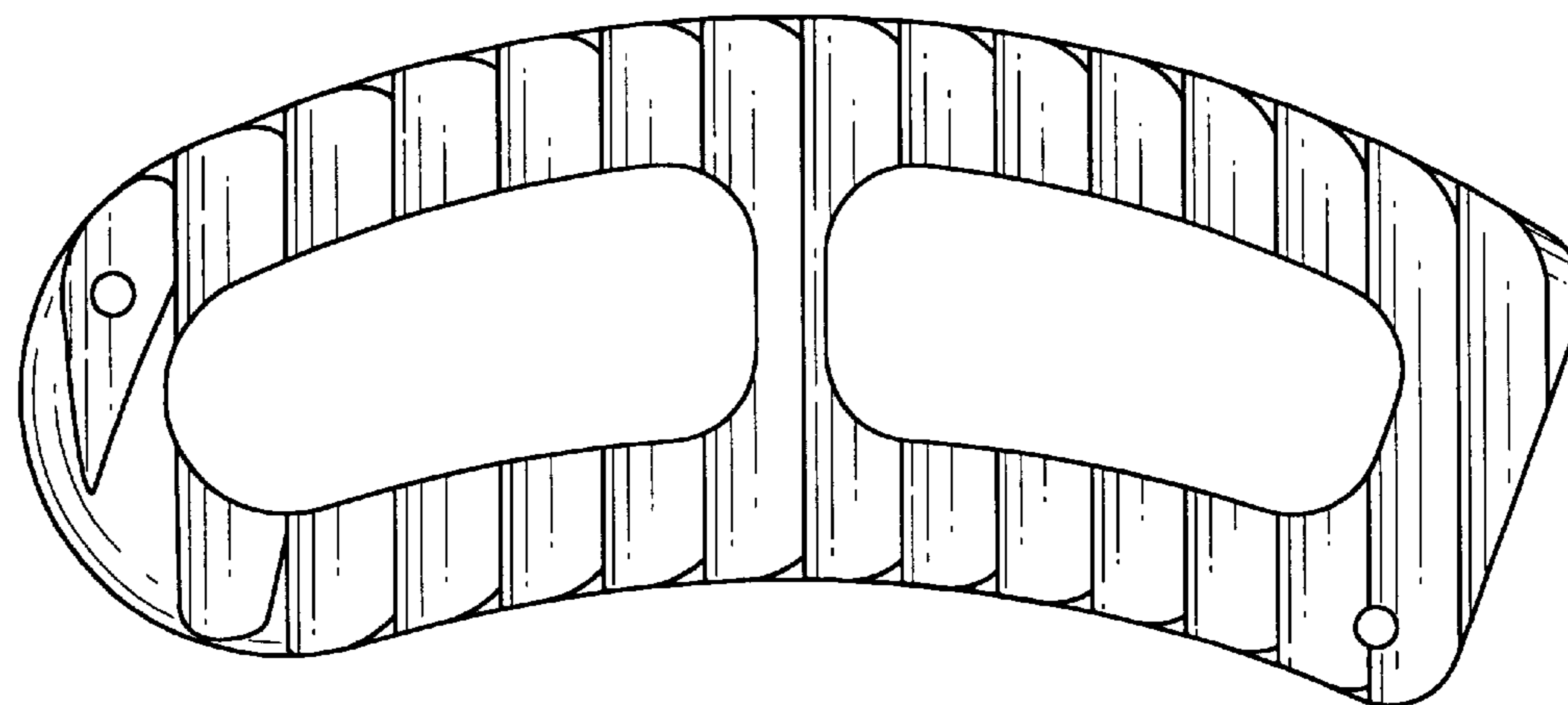
*FIG. 4*



*FIG. 5*



*FIG. 6*



*FIG. 7*