



US00D533269S

(12) **United States Design Patent**  
**McAuley et al.**

(10) **Patent No.:** **US D533,269 S**

(45) **Date of Patent:** **\*\* Dec. 5, 2006**

(54) **NASAL CANNULA**

(75) Inventors: **Alastair Edwin McAuley**, Auckland (NZ); **Craig Robert Prentice**, Auckland (NZ); **Oliver Gleeson**, Auckland (NZ)

(73) Assignee: **Fisher & Paykel Healthcare Limited**, Auckland (NZ)

(\*\*) **Term:** **14 Years**

(21) Appl. No.: **29/211,664**

(22) Filed: **Aug. 19, 2004**

(51) **LOC (8) Cl.** ..... **29-02**

(52) **U.S. Cl.** ..... **D24/110.6**

(58) **Field of Classification Search** ..... D24/110, D24/110.4, 110.6; 128/207.18, 207.13, 206.11  
See application file for complete search history.

(56) **References Cited**

**U.S. PATENT DOCUMENTS**

4,367,735 A \* 1/1983 Dali ..... 128/207.18

4,915,105 A \* 4/1990 Lee ..... 128/205.27  
6,431,172 B1 \* 8/2002 Bordewick ..... 128/207.18  
2005/0028822 A1 \* 2/2005 Sleeper et al. .... 128/207.18

\* cited by examiner

*Primary Examiner*—Antoine D. Davis

*Assistant Examiner*—Christopher Lee

(74) *Attorney, Agent, or Firm*—Trexler, Bushnell, Giangiorgi, Blackstone & Marr, Ltd.

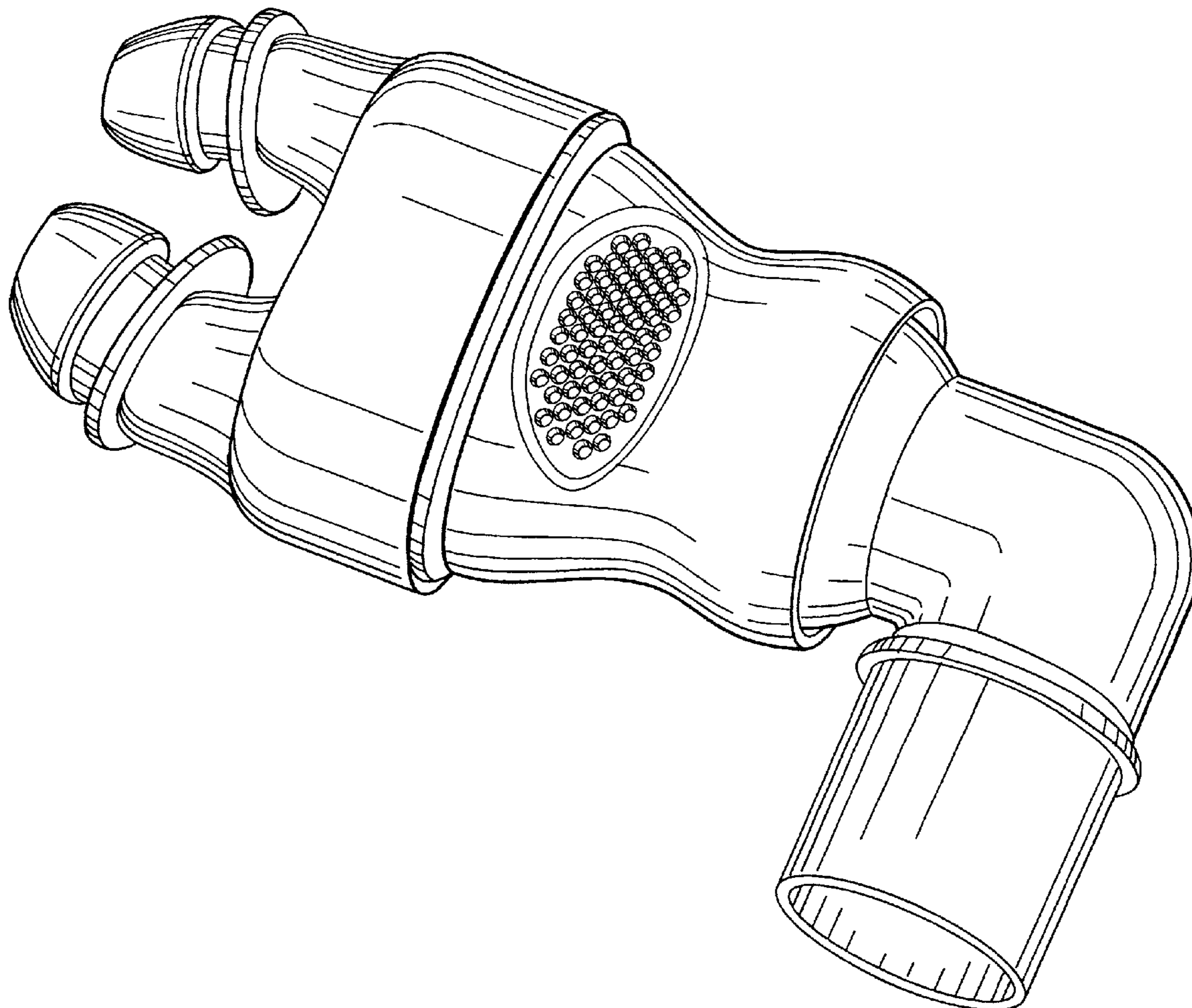
(57) **CLAIM**

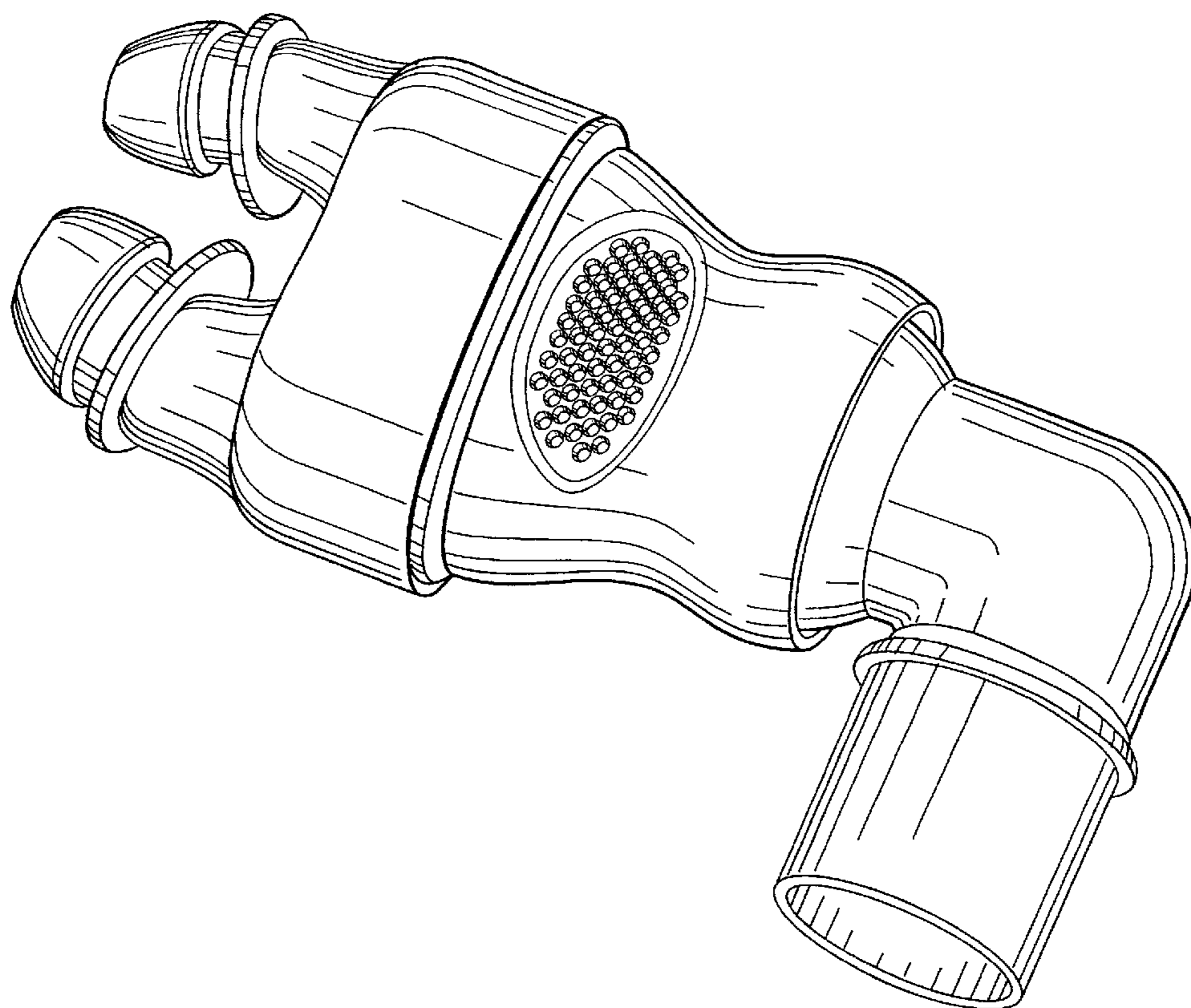
The ornamental design for a nasal cannula, as shown and described.

**DESCRIPTION**

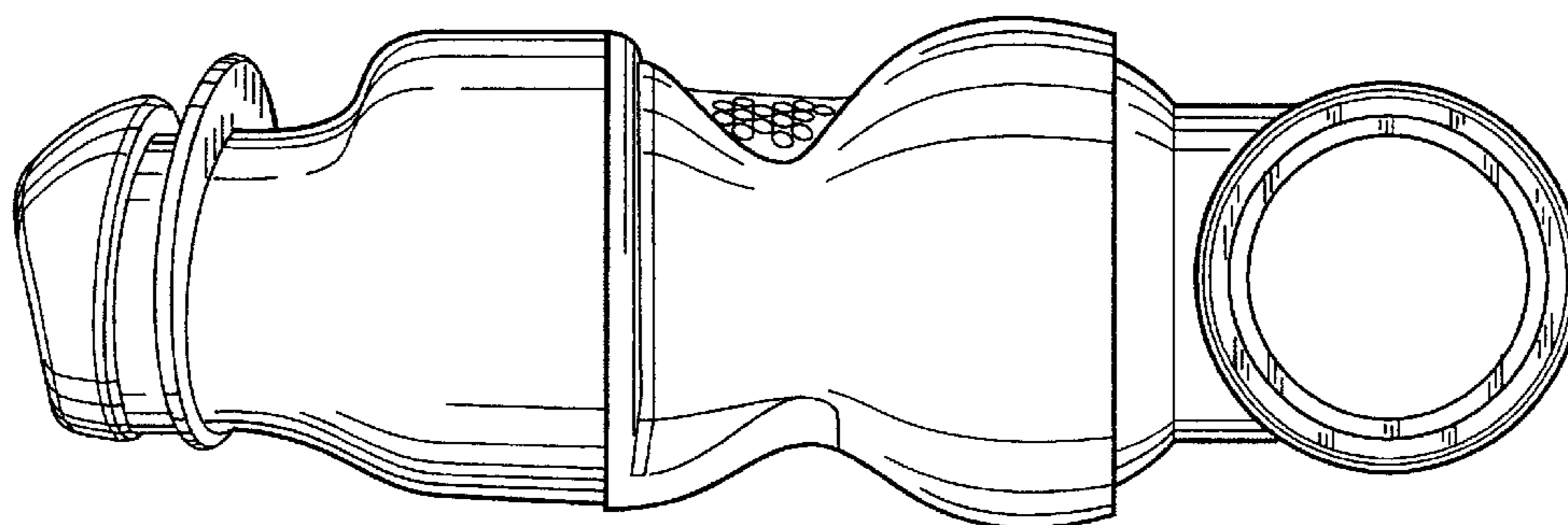
FIG. 1 is a perspective view of the nasal cannula in accordance with our design;  
FIG. 2 is a side view of the nasal cannula;  
FIG. 3 is an exploded perspective view of the nasal cannula;  
FIG. 4 is a front view of the nasal cannula; and,  
FIG. 5 is an exploded side view of the nasal cannula.

**1 Claim, 3 Drawing Sheets**

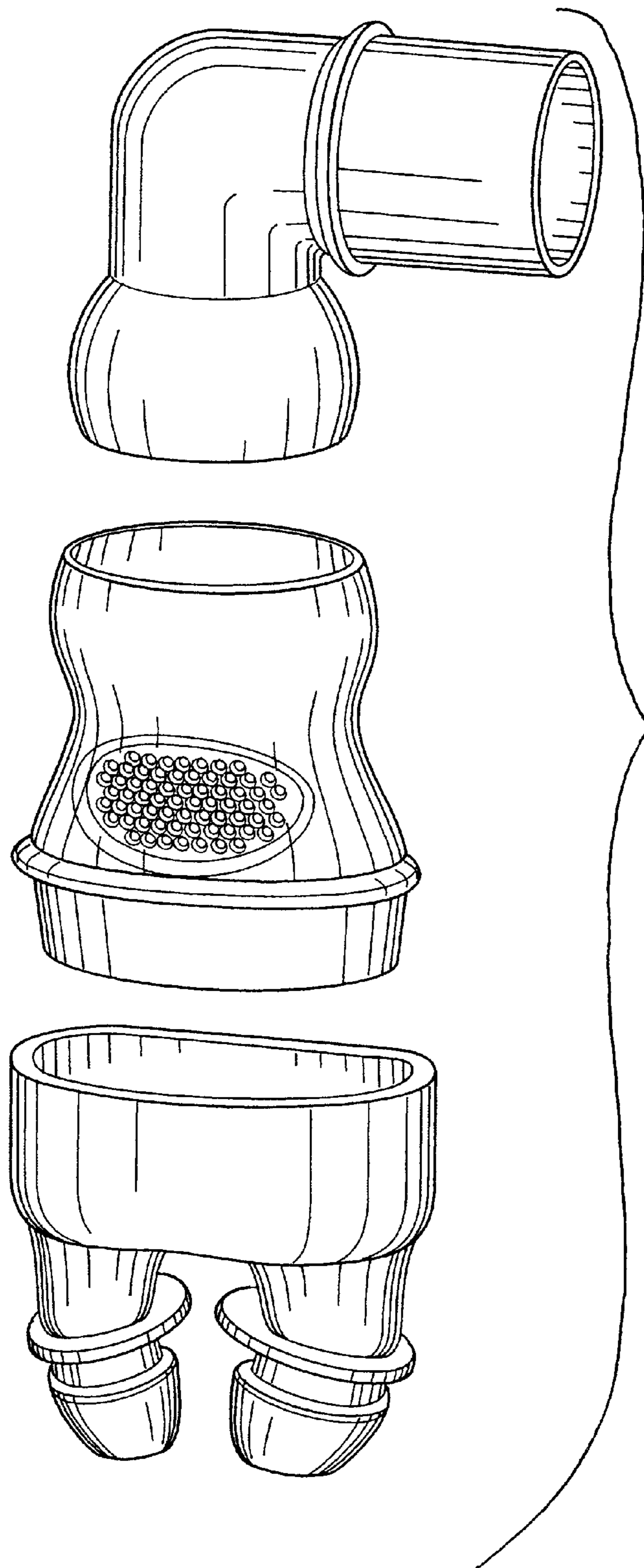




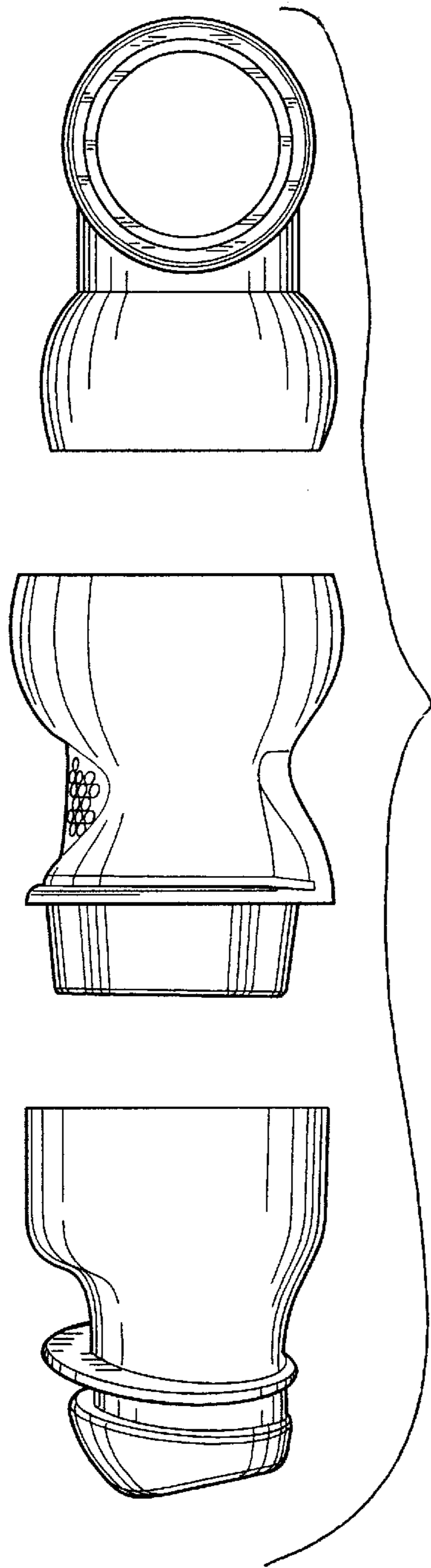
**FIGURE 1**



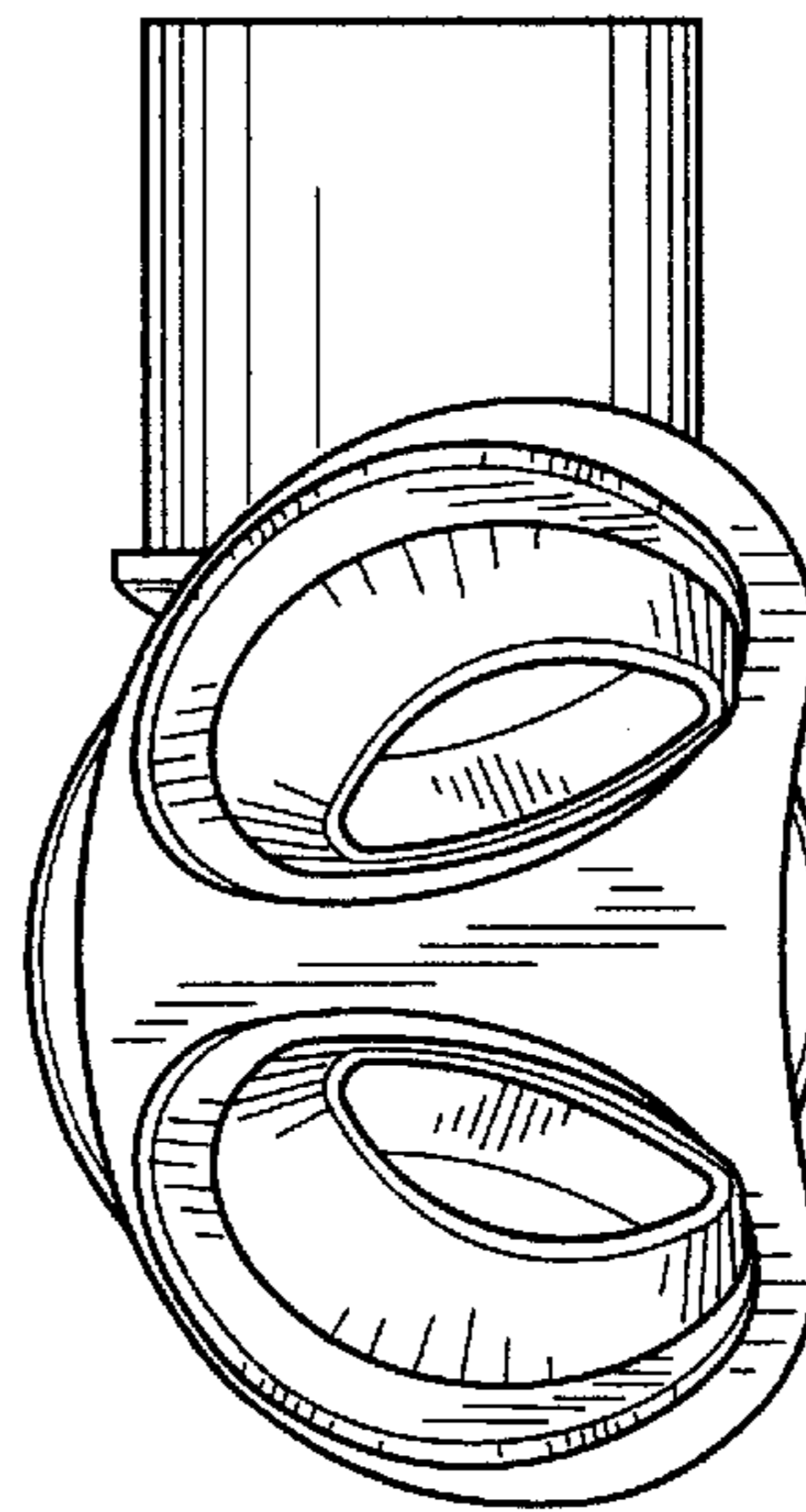
**FIGURE 2**



**FIGURE 3**



**FIGURE 5**



**FIGURE 4**