



US00D533267S

(12) **United States Design Patent** (10) **Patent No.:** **US D533,267 S**
Pan (45) **Date of Patent:** **** Dec. 5, 2006**

(54) **CEILING FAN BLADE HOLDER**

(75) Inventor: **Peter Pan**, Shetzu (TW)

(73) Assignee: **Air Cool Industrial Co., Ltd.**,
Taichung (TW)

(**) Term: **14 Years**

(21) Appl. No.: **29/244,536**

(22) Filed: **Dec. 8, 2005**

(51) **LOC (8) Cl.** **23-04**

(52) **U.S. Cl.** **D23/411**

(58) **Field of Classification Search** D23/377,
D23/379, 385, 411, 413; 416/5

See application file for complete search history.

(56) **References Cited**

U.S. PATENT DOCUMENTS

D369,405 S	*	4/1996	Holbrook	D23/411
5,508,484 A		4/1996	Chen		
D396,530 S		7/1998	Tai		
D404,808 S		1/1999	Tai		
D404,809 S		1/1999	Tai		
D405,878 S		2/1999	Tai		
D408,073 S		4/1999	Tai		
D408,074 S		4/1999	Tai		
D408,516 S		4/1999	Tai		
D409,297 S		5/1999	Tai		
6,059,531 A		5/2000	Tai		
6,135,618 A		10/2000	Tai		
6,259,025 B1		7/2001	Tai		
6,379,116 B1		4/2002	Tai		
D457,947 S		5/2002	Tai		
6,392,146 B1		5/2002	Tai		
D458,675 S		6/2002	Tai		
D478,381 S		8/2003	Tai		
D483,463 S		12/2003	Tai		
D483,464 S		12/2003	Tai		
D483,465 S		12/2003	Tai		
D483,847 S		12/2003	Tai		
D483,848 S		12/2003	Tai		
D483,849 S		12/2003	Tai		
D483,850 S		12/2003	Tai		

D484,588 S	12/2003	Tai
D484,969 S	1/2004	Tai
D485,344 S	1/2004	Tai
D485,609 S	1/2004	Tai
D485,611 S	1/2004	Tai
D485,897 S	1/2004	Tai
D490,888 S	6/2004	Tai
D494,705 S	8/2004	Tai
D501,578 S	2/2005	Tai
D503,472 S	3/2005	Tai
D503,473 S	3/2005	Tai

(Continued)

Primary Examiner—Lisa Lichtenstein

(74) *Attorney, Agent, or Firm*—Morrison & Foerster LLP

(57) **CLAIM**

The ornamental design for a ceiling fan blade holder, as shown and described.

DESCRIPTION

FIG. 1 is a perspective view of a ceiling fan blade holder shown in use;

FIG. 2 is an enlarged rear view of the ceiling fan blade holder in accordance with the present invention;

FIG. 3 is an enlarged front view of the ceiling fan blade holder in accordance with the present invention;

FIG. 4 is an enlarged side view of the ceiling fan blade holder in accordance with the present invention;

FIG. 5 is another side view of the ceiling fan blade holder in accordance with the present invention;

FIG. 6 is an enlarged bottom view of the ceiling fan blade holder in accordance with the present invention;

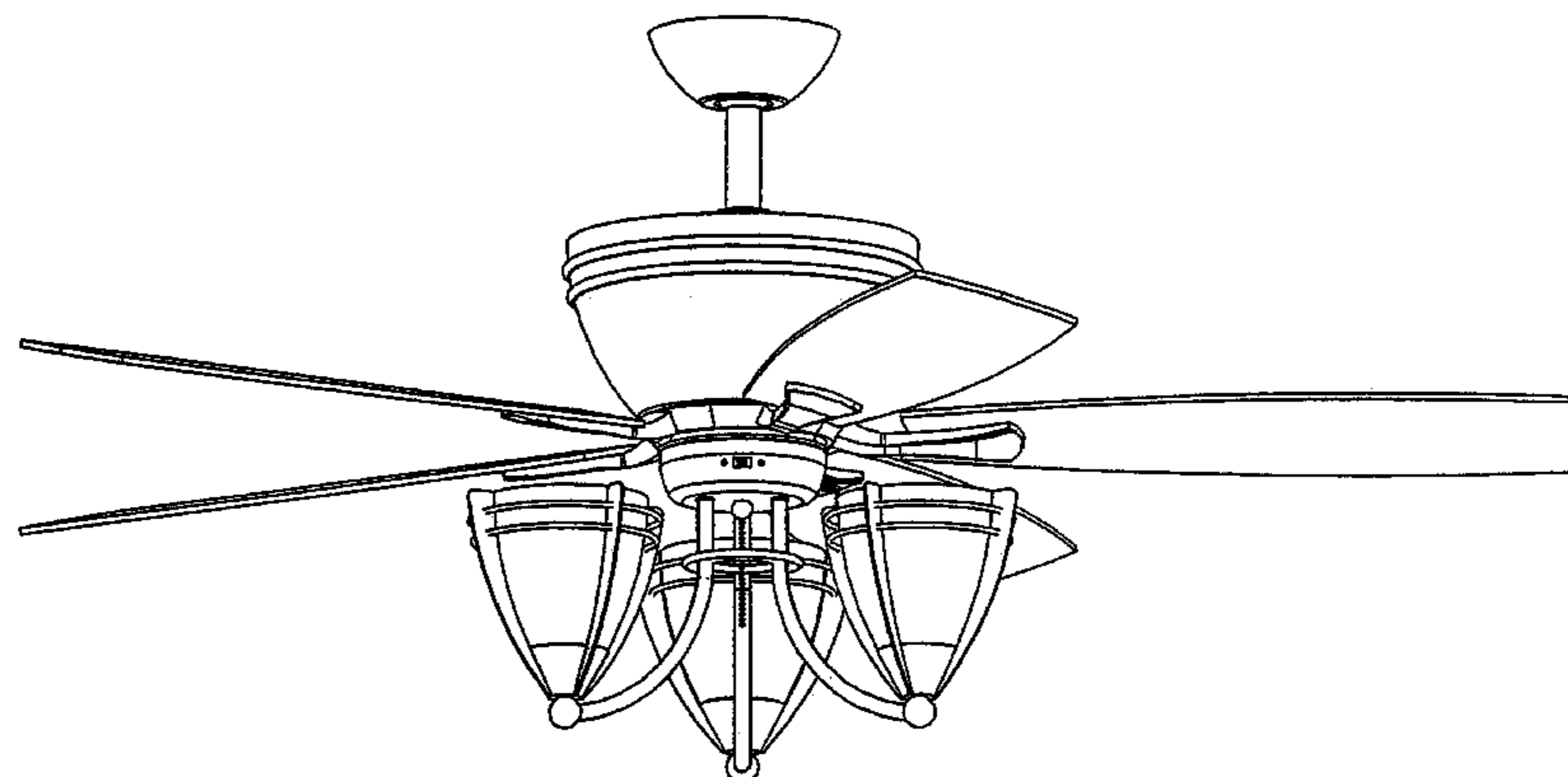
FIG. 7 is an enlarged top view of the ceiling fan blade holder in accordance with the present invention;

FIG. 8 is an enlarged perspective view of the ceiling fan blade holder in accordance with the present invention; and,

FIG. 9 is another perspective view of the ceiling fan blade holder in accordance with the present invention.

The broken line showing of environmental structure is for illustrative purposes only and forms no part of the claimed design.

1 Claim, 9 Drawing Sheets



US D533,267 S

Page 2

U.S. PATENT DOCUMENTS

D503,474 S	3/2005	Tai	D505,197 S	5/2005	Tai	
D503,475 S	3/2005	Tai	D505,724 S	5/2005	Tai	
D503,476 S	3/2005	Tai	D507,644 S	7/2005	Tai	
D503,795 S	4/2005	Tai	D507,830 S	7/2005	Tai	
D504,173 S	4/2005	Tai	D520,630 S	* 5/2006	Pickett D23/411

* cited by examiner

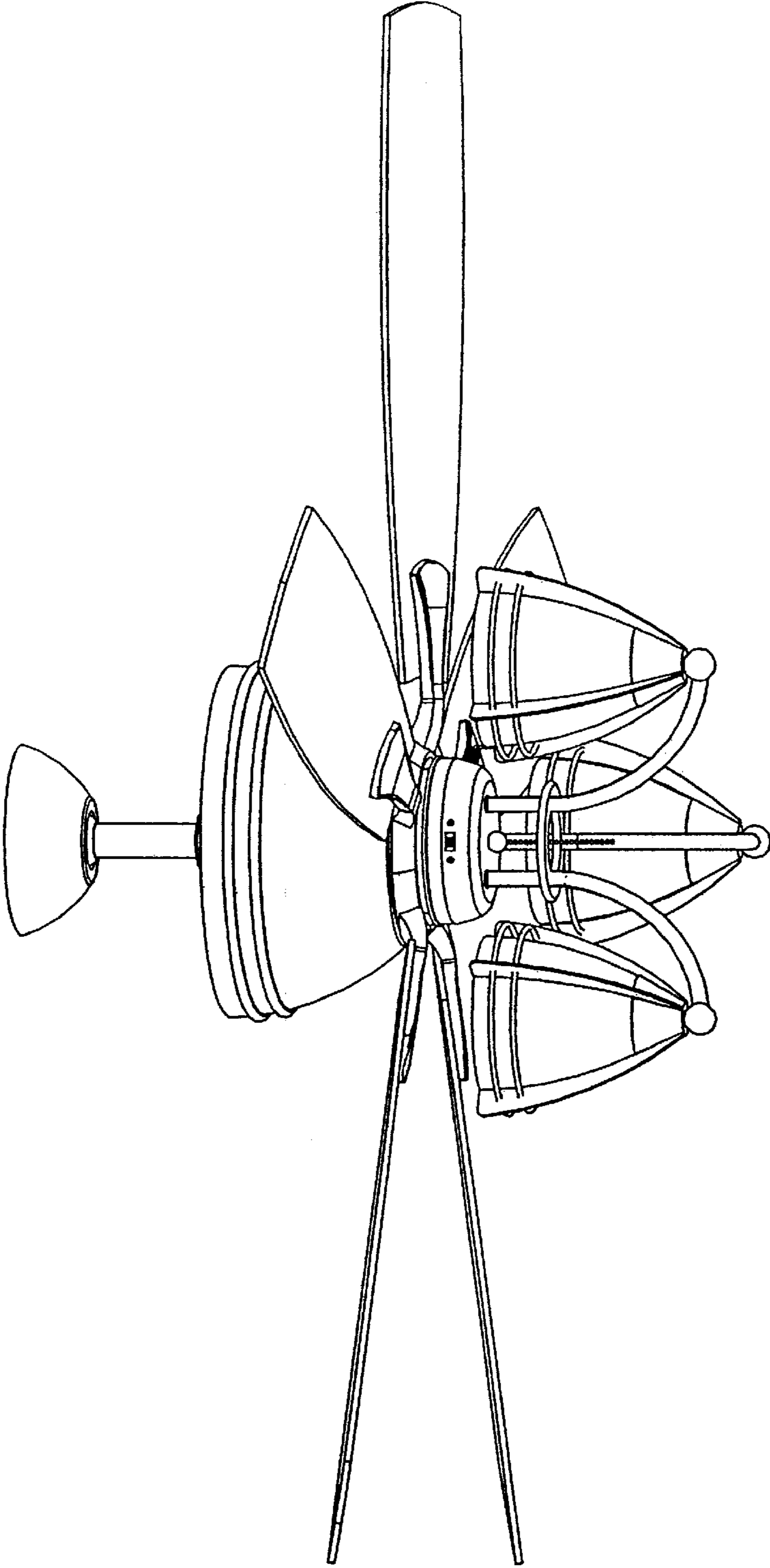


Fig. 1

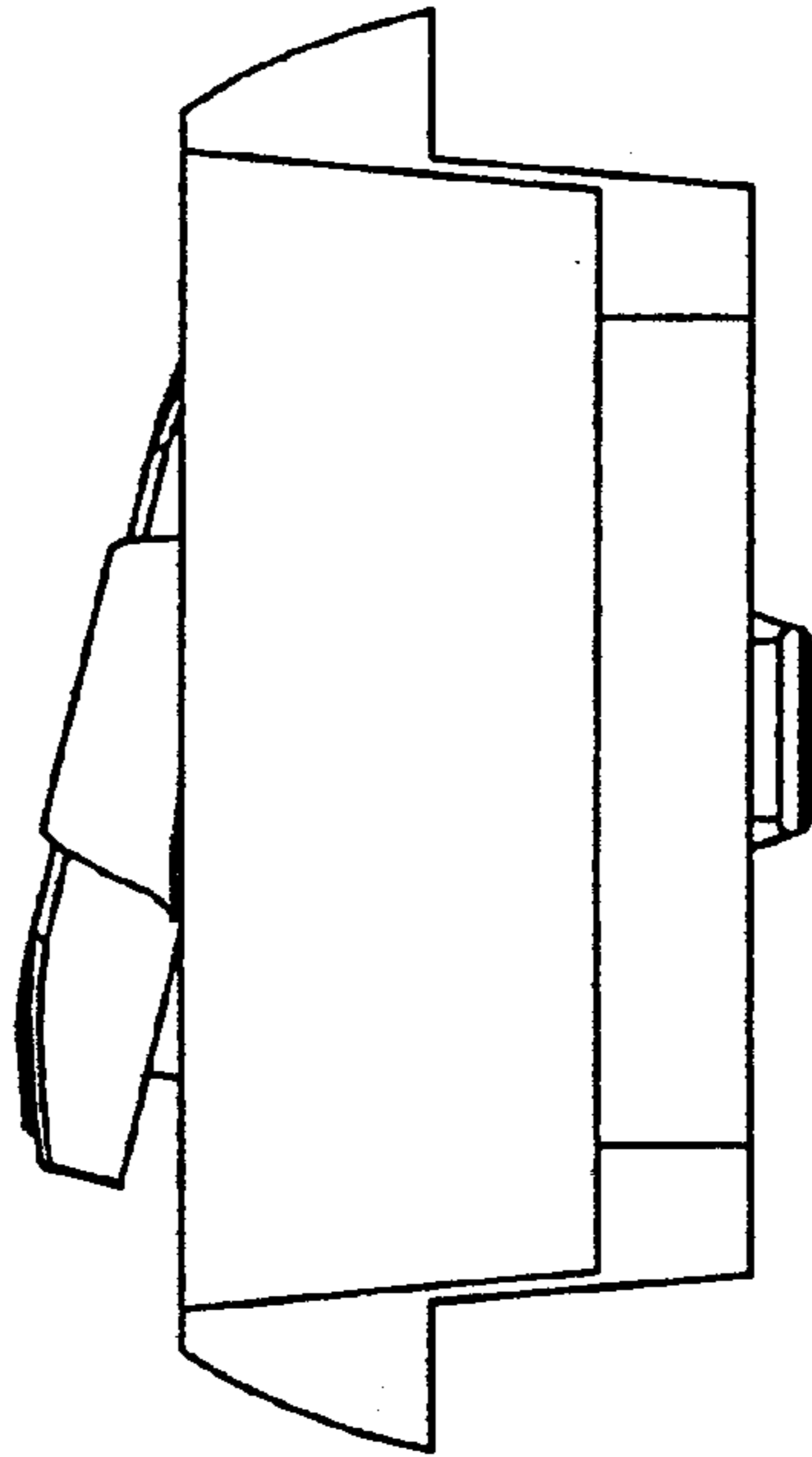


Fig. 2

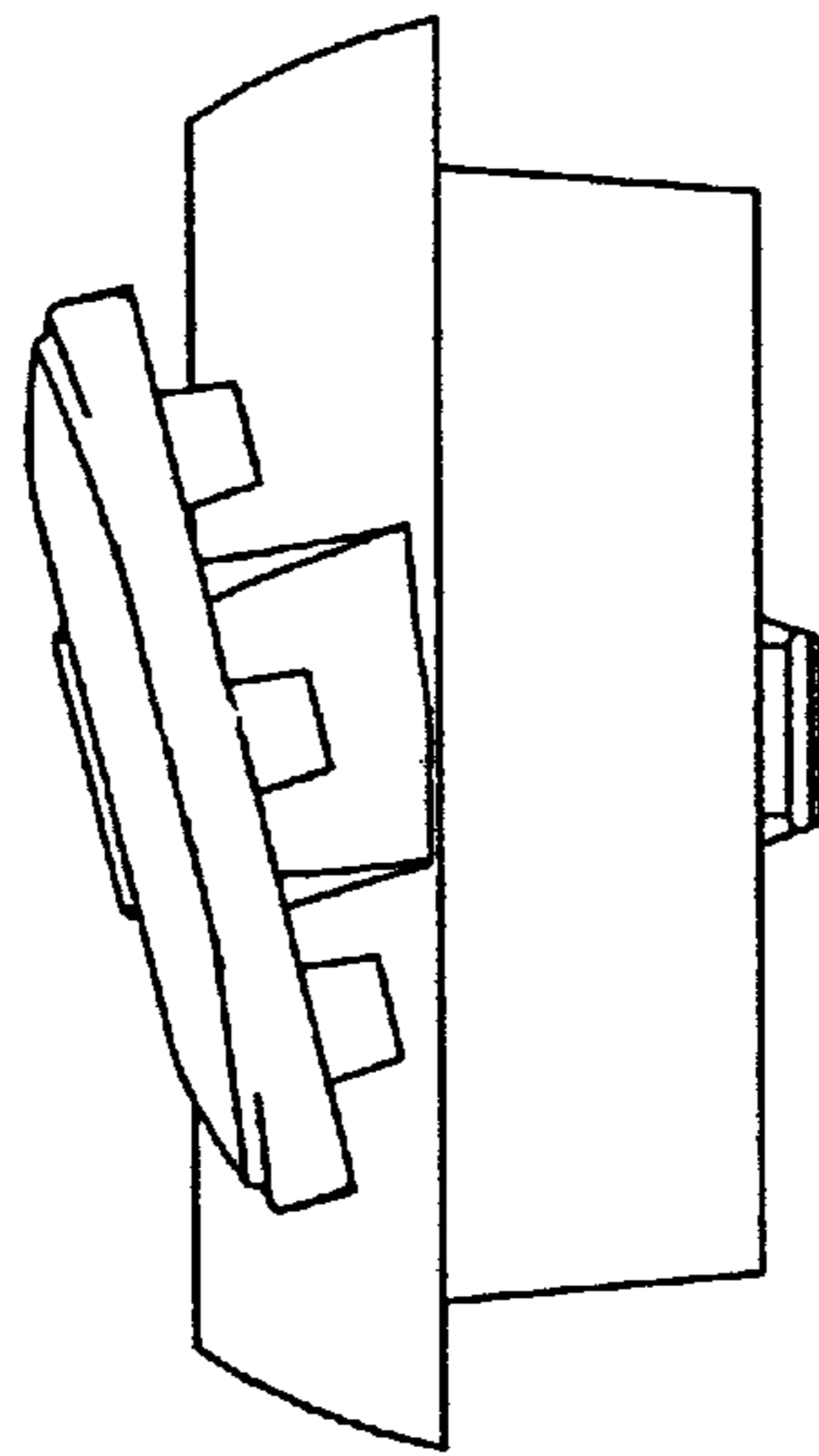


Fig. 3

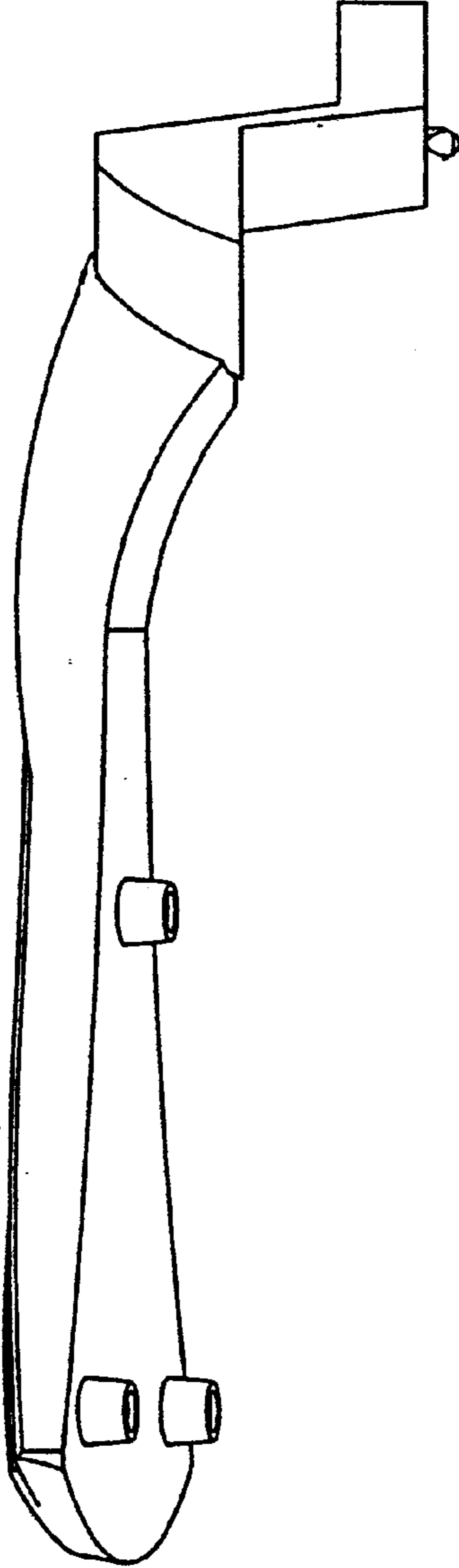


Fig. 4

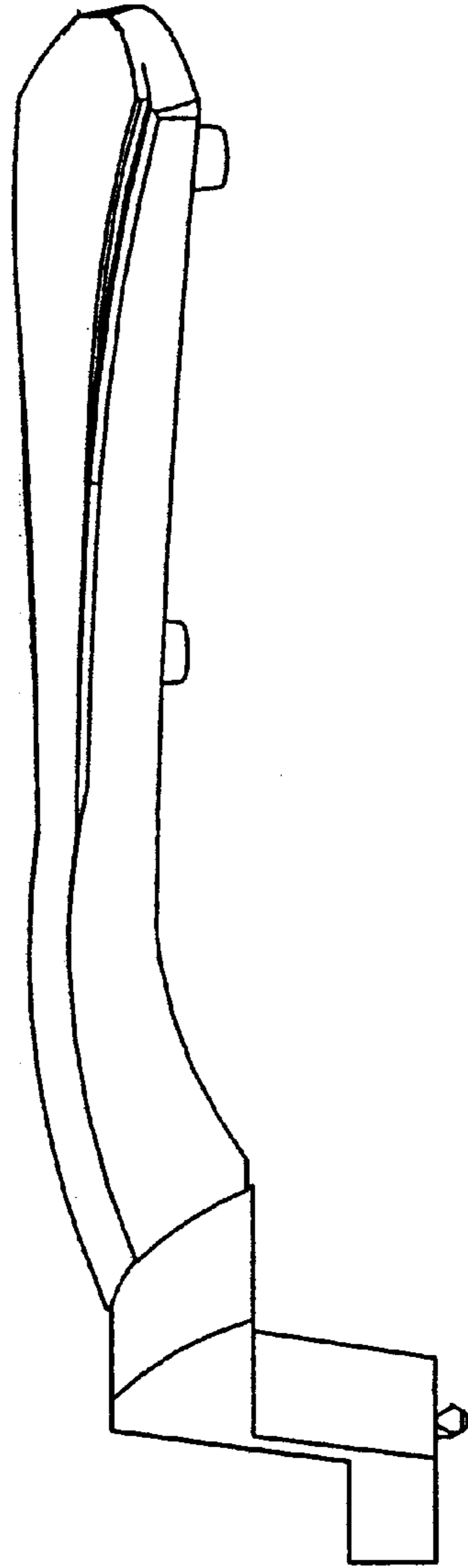


Fig. 5

Fig. 6

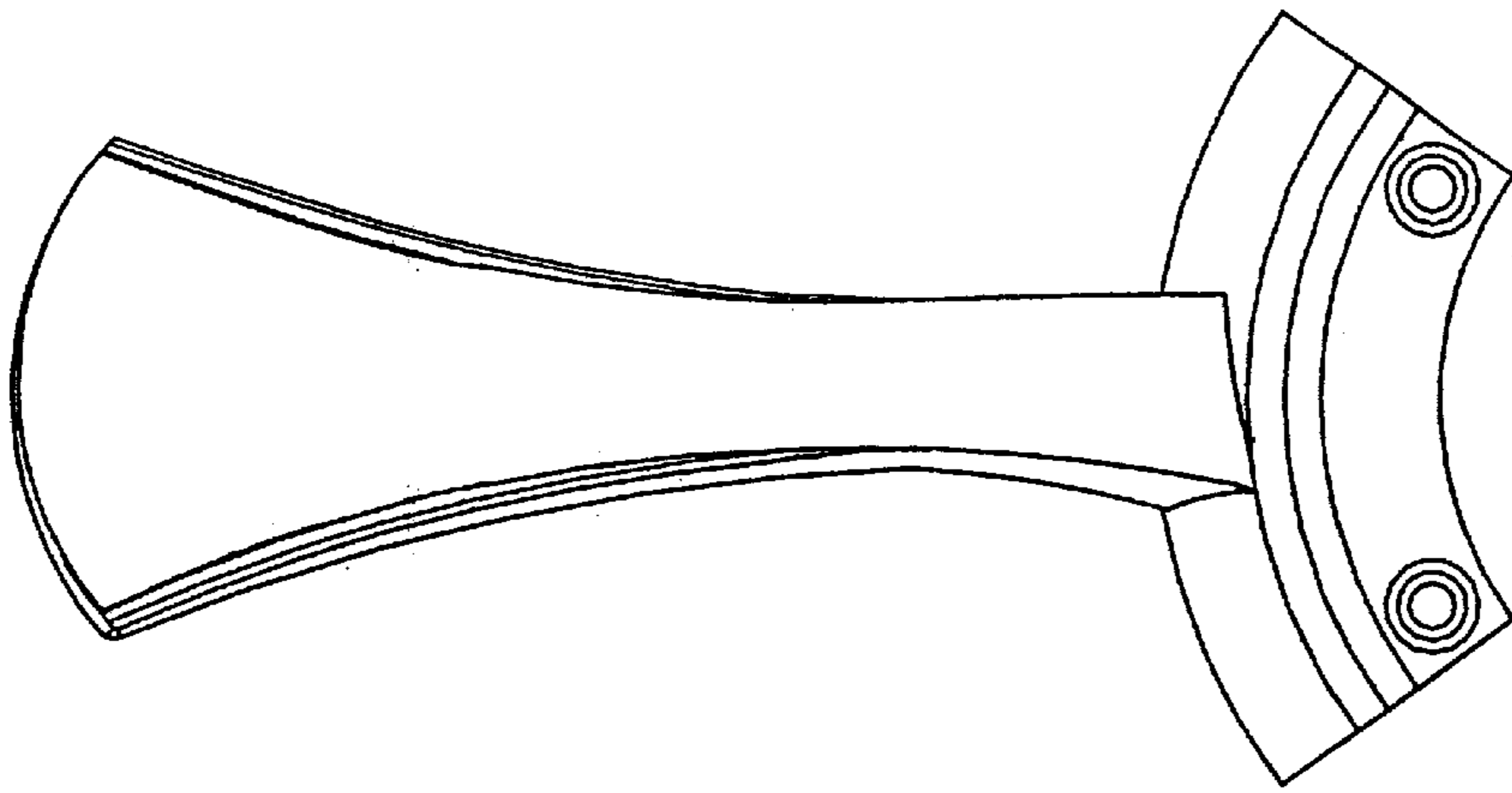


Fig. 7

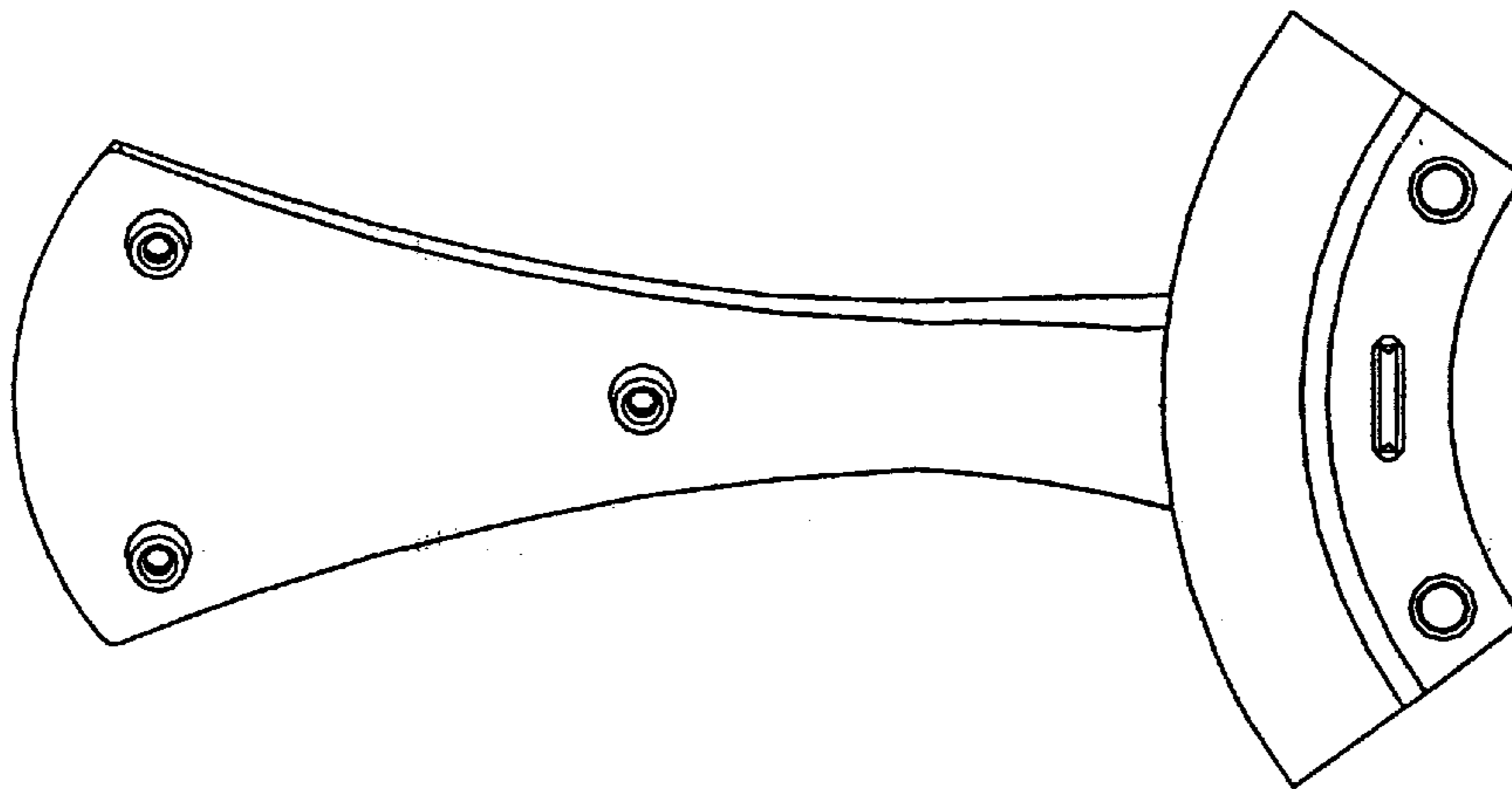


Fig. 8

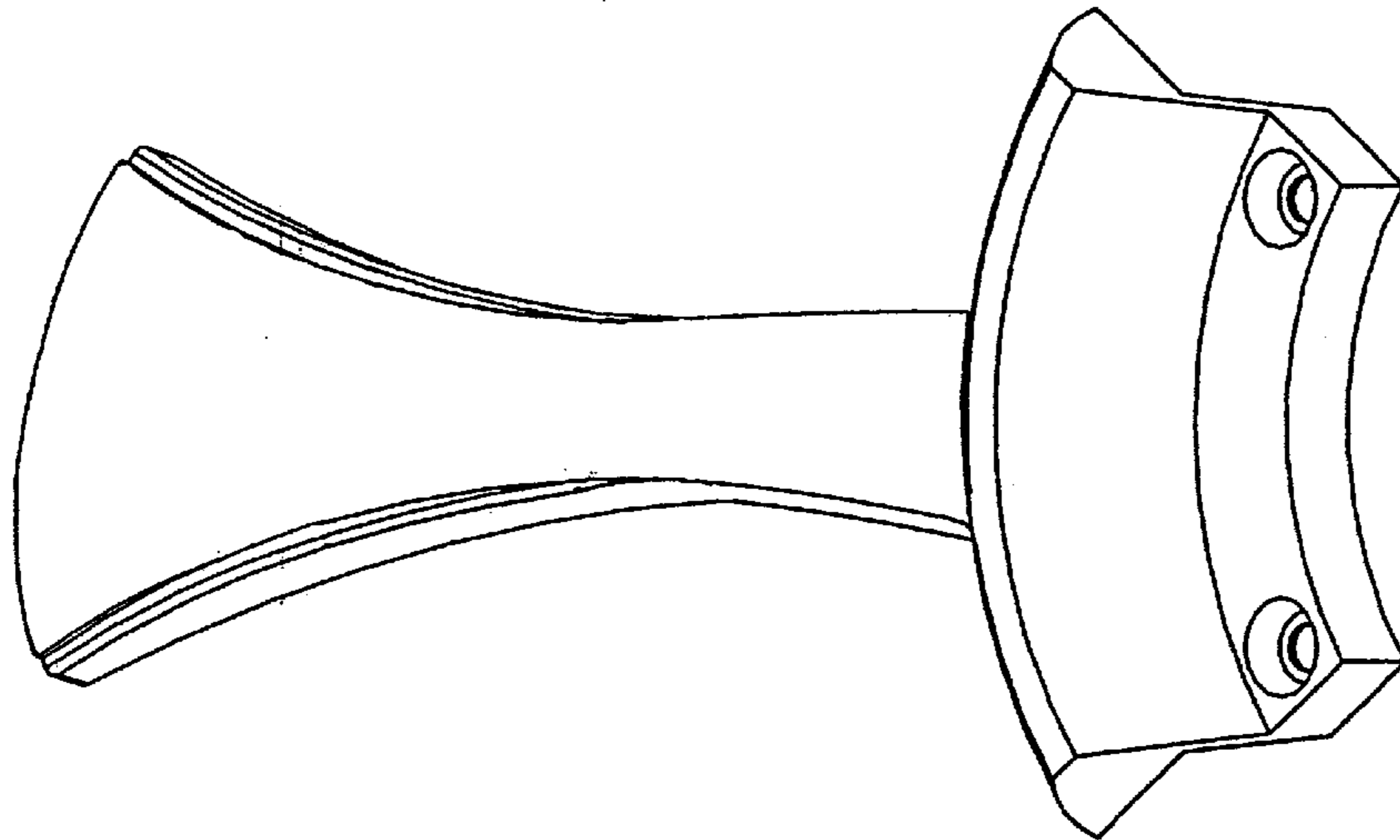


Fig. 9

