



US00D533266S

(12) **United States Design Patent**
Yoshida et al.

(10) **Patent No.: US D533,266 S**
(45) **Date of Patent: ** Dec. 5, 2006**

(54) **BACKPACK BLOWER**

FOREIGN PATENT DOCUMENTS

(75) Inventors: **Kazuhiro Yoshida**, Togane (JP); **Shinji Ohwaku**, Togane (JP); **Junichi Miyamoto**, Togane (JP)

JP D1056065 12/1999
JP D1130379 1/2002

* cited by examiner

(73) Assignee: **Maruyama Mfg. Co., Inc.**, Tokyo (JP)

Primary Examiner—Lisa Lichtenstein

(**) Term: **14 Years**

(74) *Attorney, Agent, or Firm*—Leydig, Voit & Mayer, Ltd.

(21) Appl. No.: **29/236,158**

(57) **CLAIM**

(22) Filed: **Aug. 12, 2005**

The ornamental design for a backpack blower, as shown and described.

(30) **Foreign Application Priority Data**

DESCRIPTION

Feb. 15, 2005 (JP) D2005-003907

FIG. 1 is a front view of a backpack blower of the present invention.

(51) **LOC (8) Cl.** **23-04**

FIG. 2 is a rear view of the backpack blower of FIG. 1.

(52) **U.S. Cl.** **D23/383**

FIG. 3 is a left side view of the backpack blower of FIG. 1.

(58) **Field of Classification Search** D23/383;
15/405, 330, 327.5

FIG. 4 is a right side of the backpack blower of FIG. 1.

See application file for complete search history.

FIG. 5 is a top plan view of the backpack blower of FIG. 1.

FIG. 6 is a bottom view of the backpack blower of FIG. 1.

(56) **References Cited**

FIG. 7 is a front perspective view of the backpack blower of FIG. 1; and,

U.S. PATENT DOCUMENTS

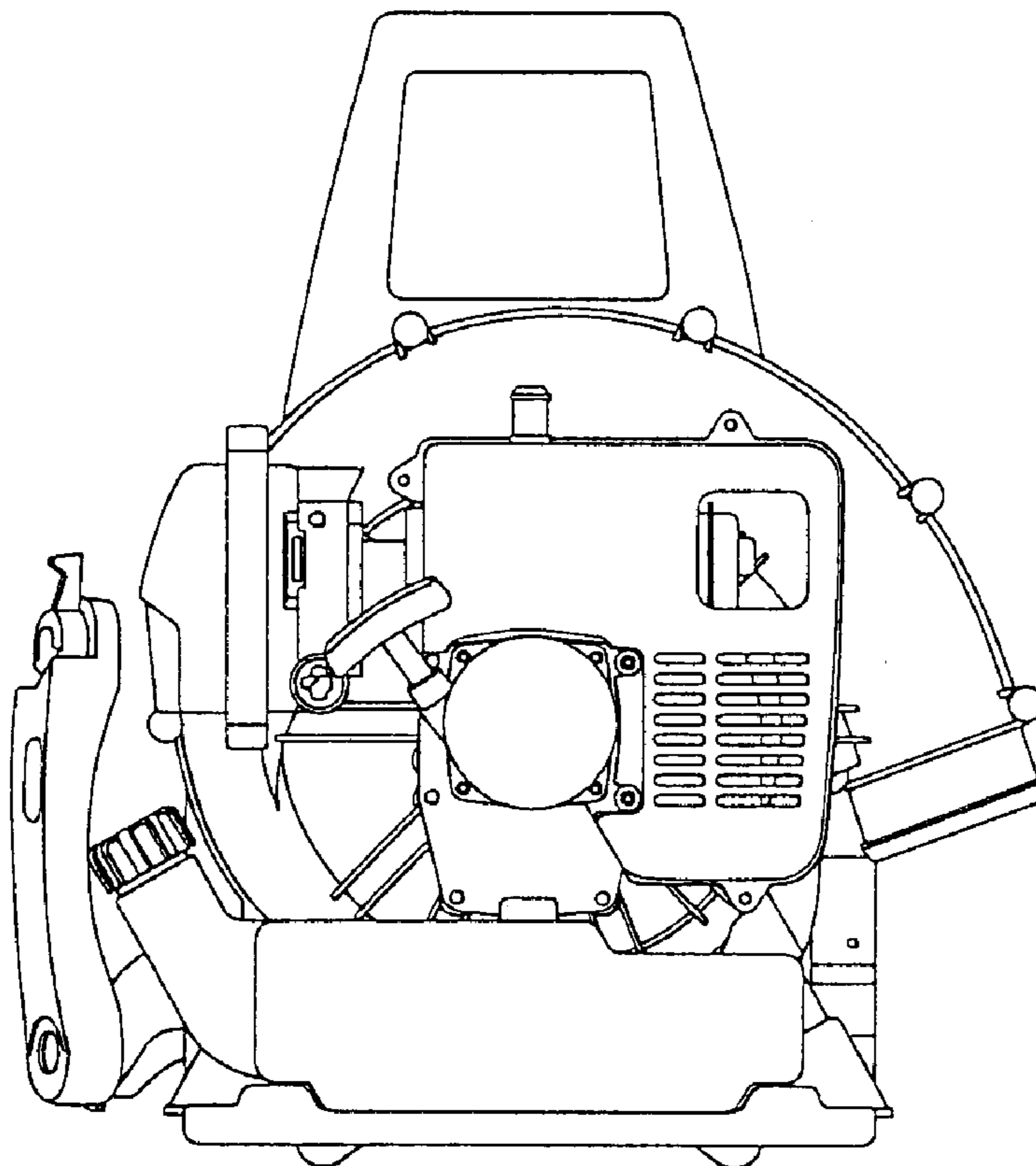
FIG. 8 is a rear perspective view of the backpack blower of FIG. 1.

5,813,088 A * 9/1998 Wagner et al. 15/327.5

6,928,693 B1 * 8/2005 Ericson 15/405

7,055,213 B1 * 6/2006 Iida et al. 15/405

1 Claim, 8 Drawing Sheets



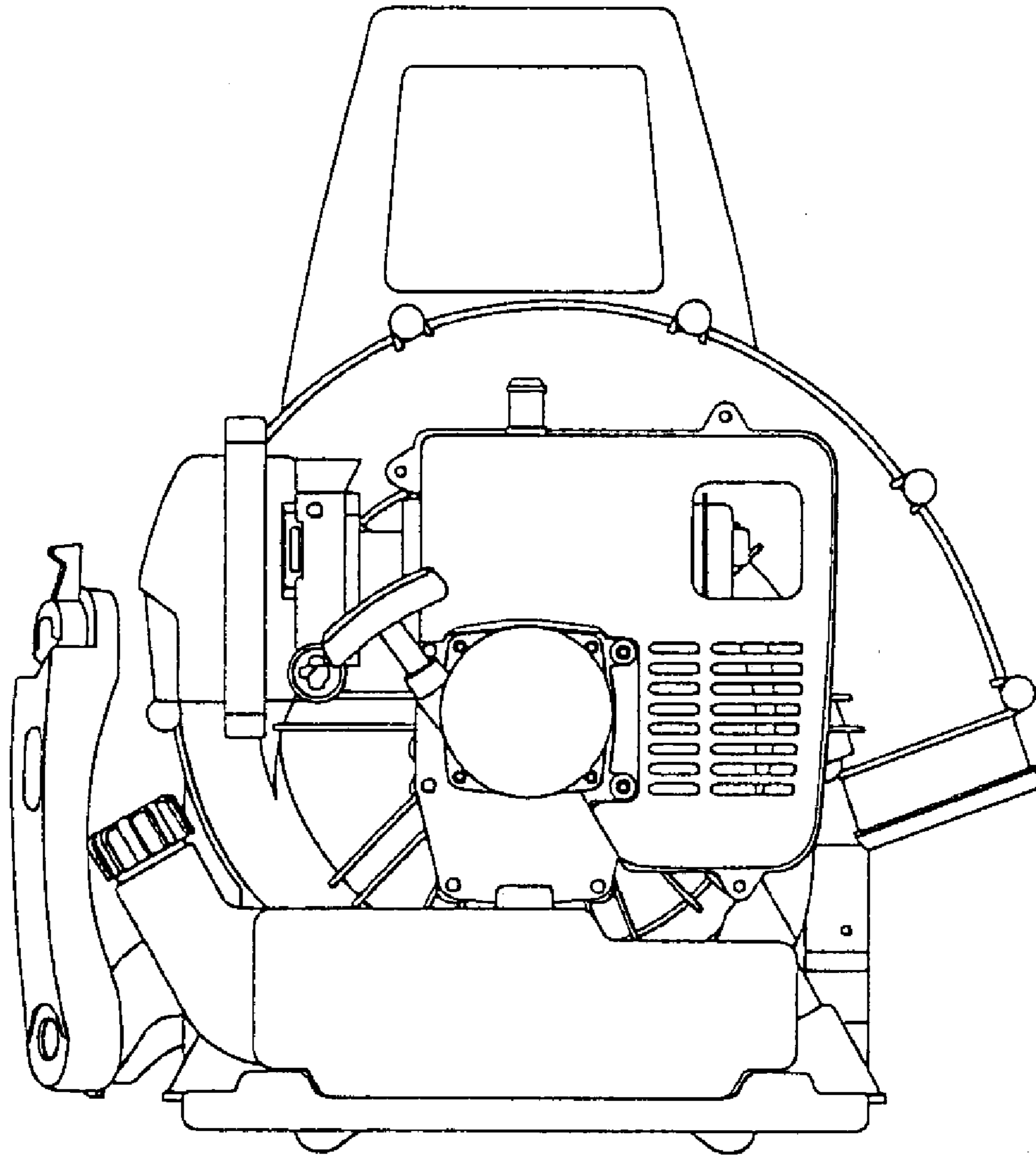


FIG. 1

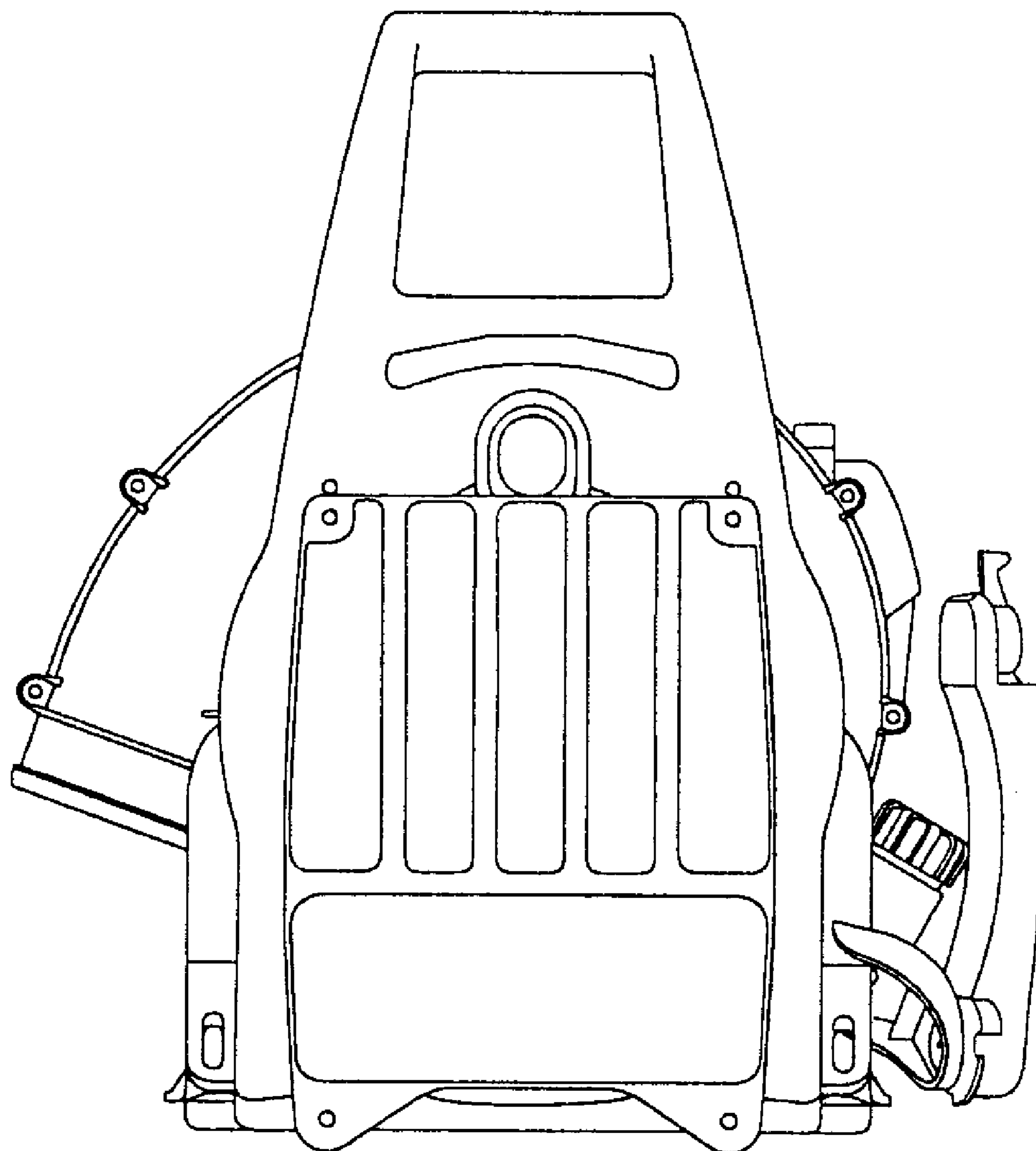


FIG. 2

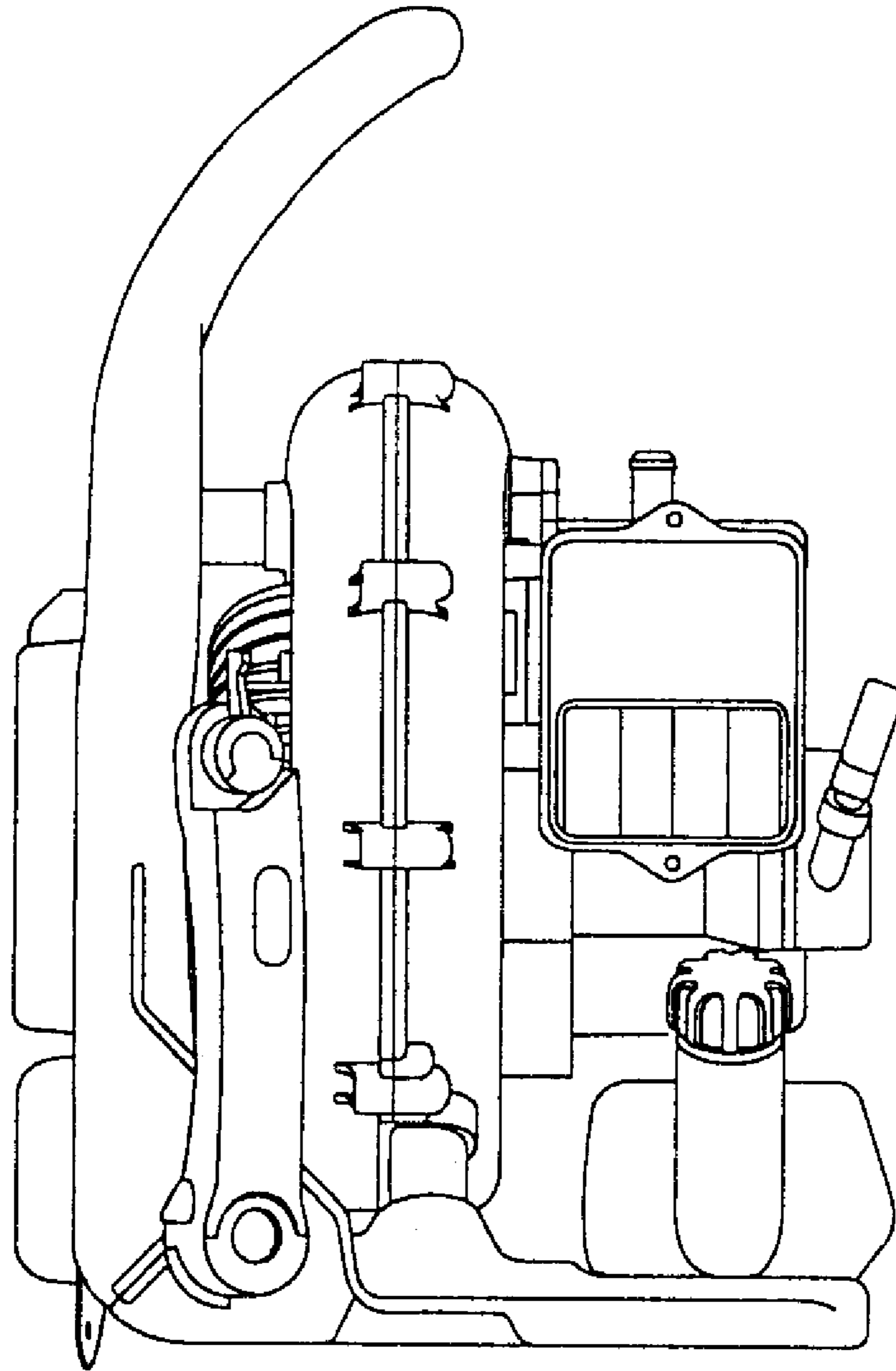


FIG. 3

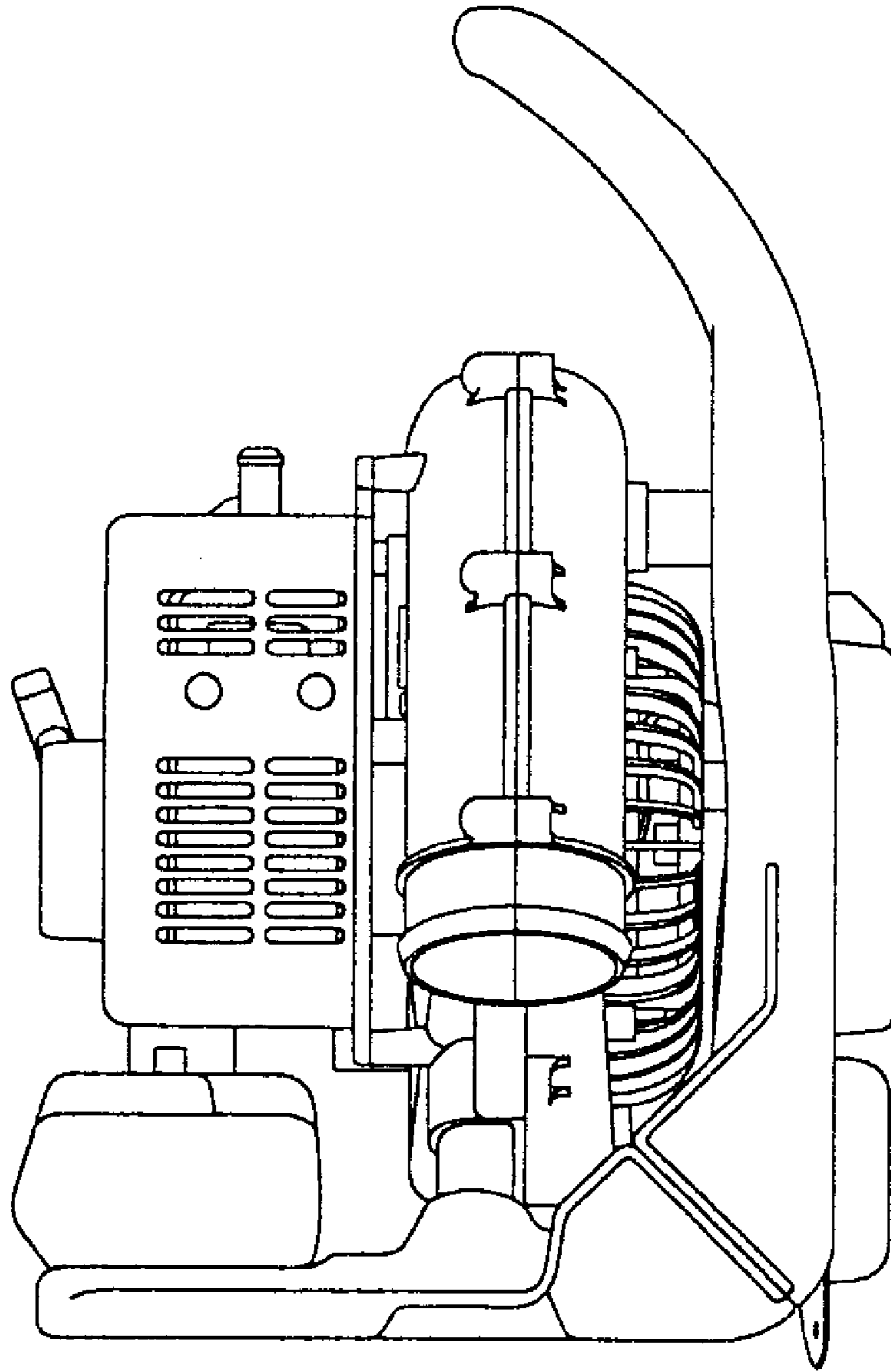


FIG. 4

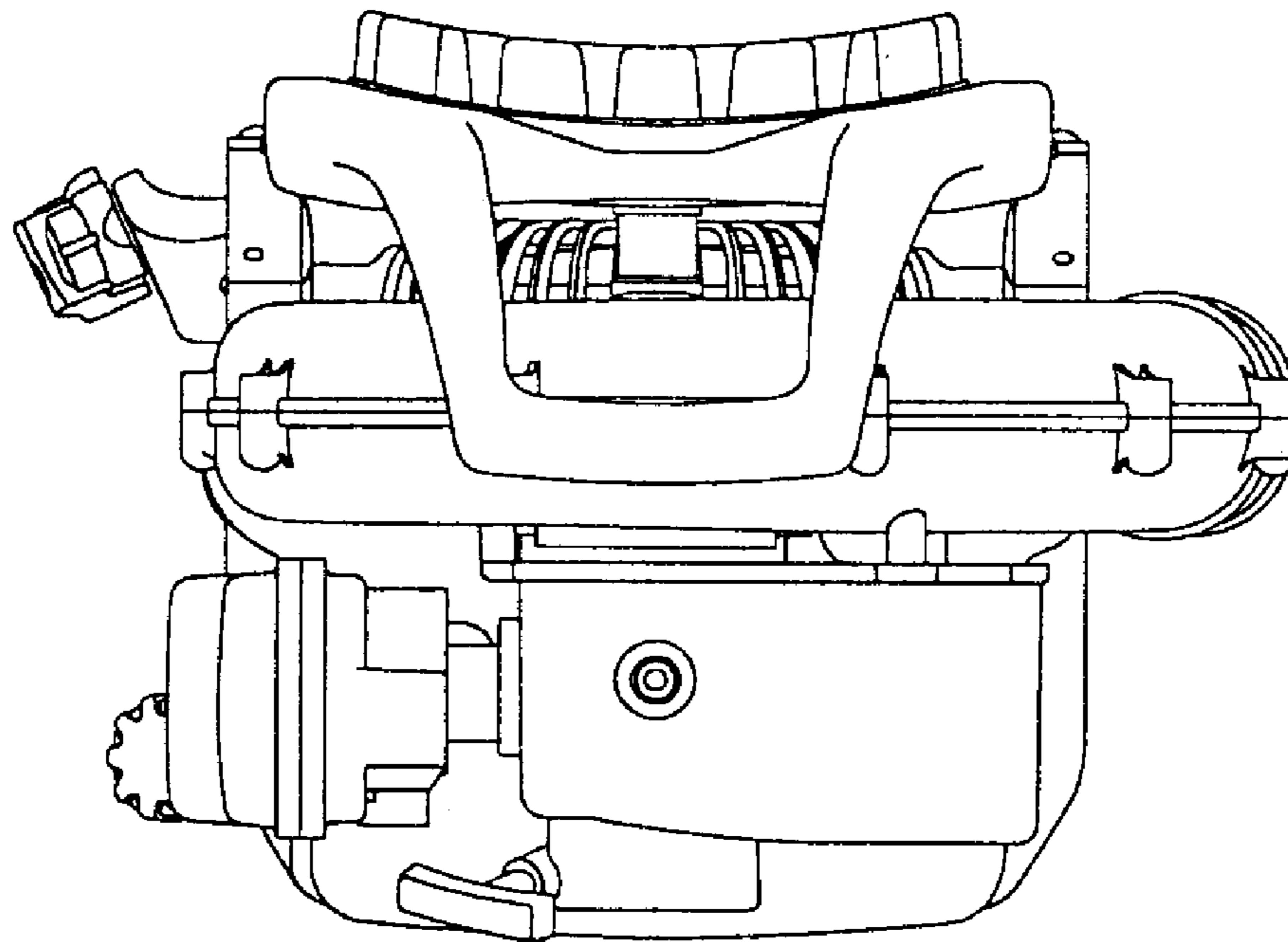


FIG. 5

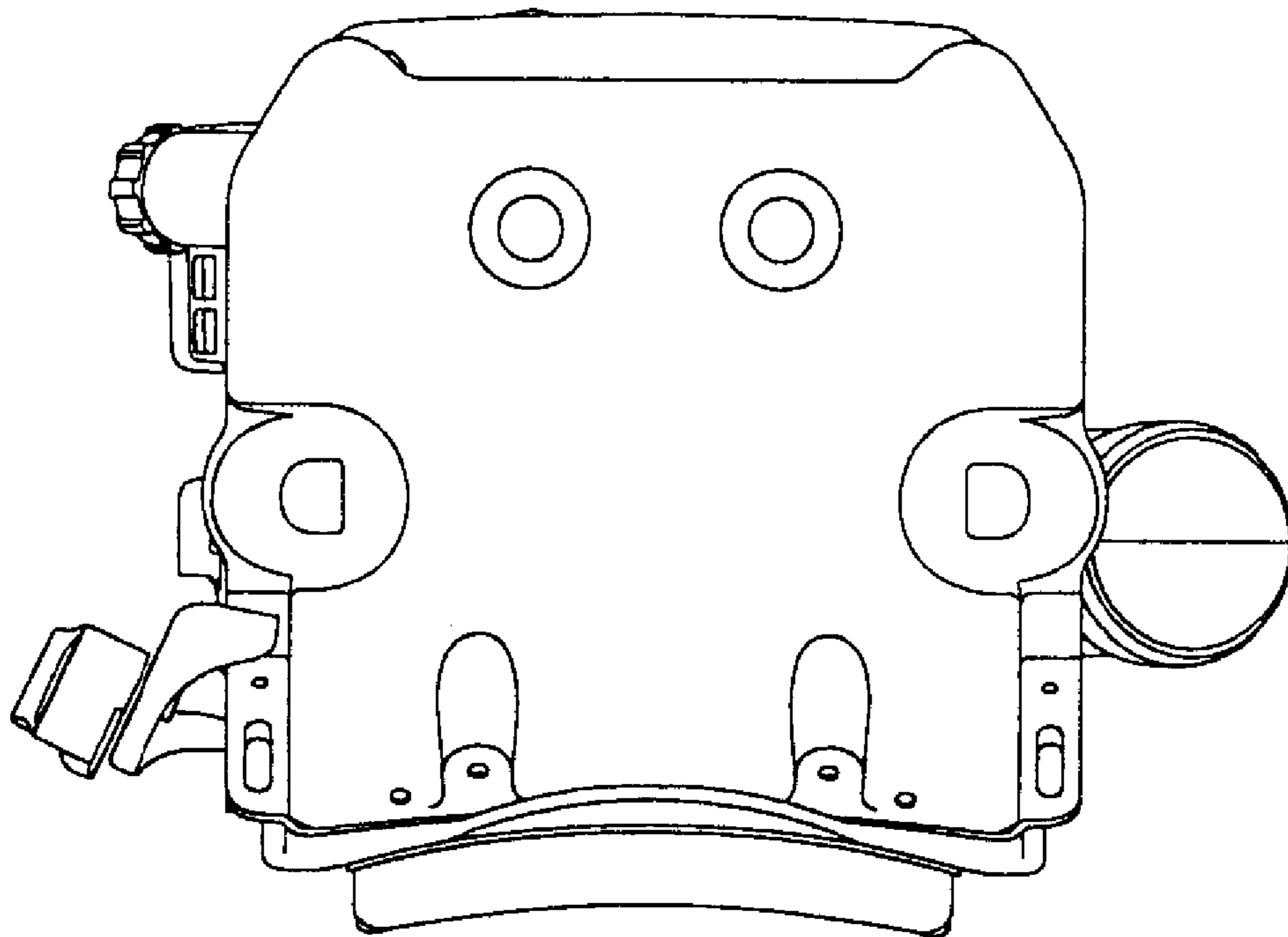


FIG. 6

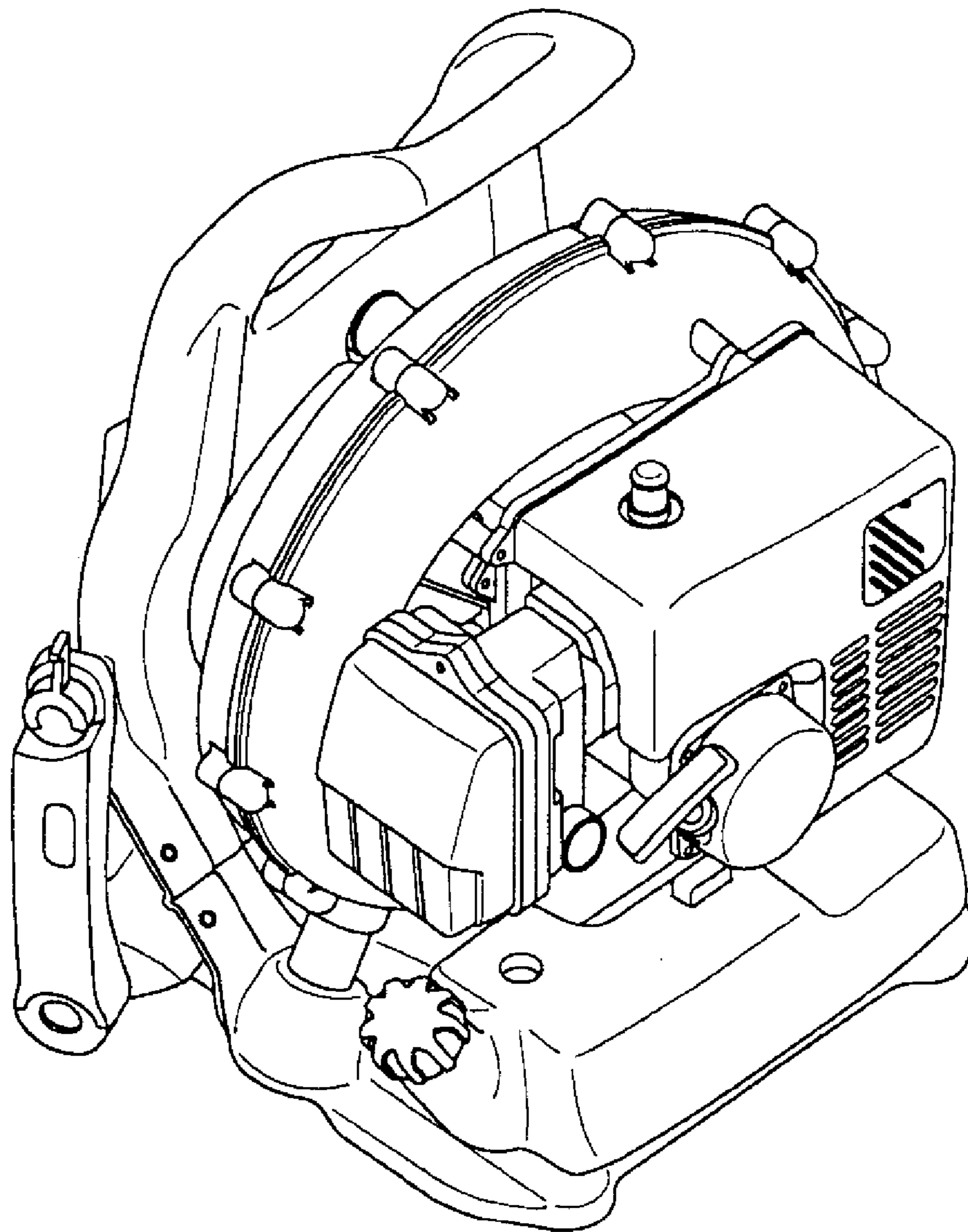


FIG. 7

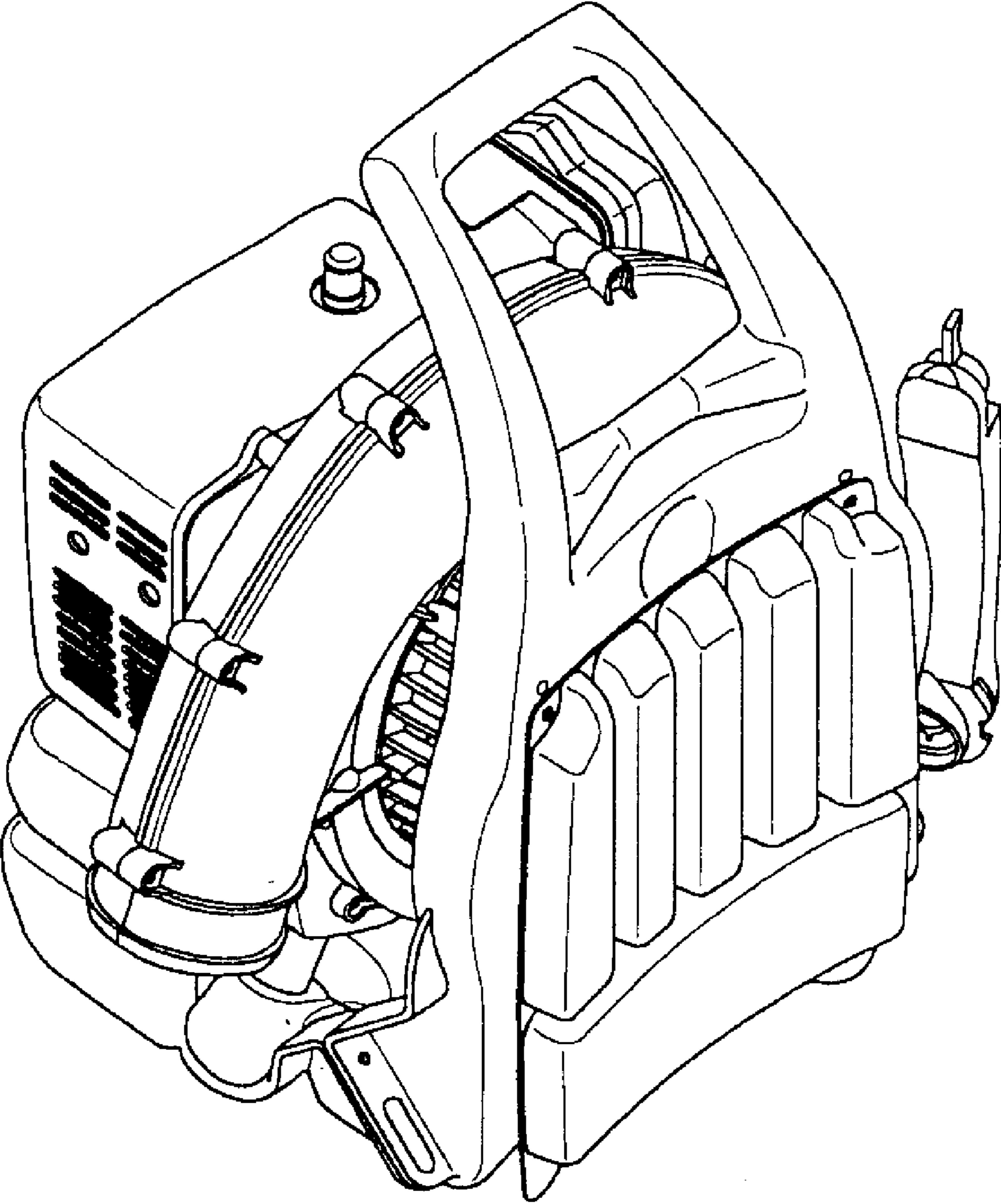


FIG. 8