



US00D533265S

(12) **United States Design Patent**  
**Fiello et al.**

(10) **Patent No.:** **US D533,265 S**

(45) **Date of Patent:** **\*\* \*Dec. 5, 2006**

(54) **AIR FILTER WITH A PROTRUDING INNER FILTERING PORTION**

D449,678 S \* 10/2001 Ng-Gee-Quan ..... D23/365  
6,833,023 B1 \* 12/2004 Vandenberghe et al. .... 95/268

(75) Inventors: **Jonathan Richard Fiello**, Yucaipa, CA (US); **David James Miles**, Sun City, CA (US); **Steve Williams**, Loma Linda, CA (US)

\* cited by examiner

*Primary Examiner*—Robin Webster

(73) Assignee: **K&N Engineering**, Riverside, CA (US)

(57) **CLAIM**

The ornamental design for an air filter with a protruding inner filtering portion, as shown and described.

(\*) Notice: This patent is subject to a terminal disclaimer.

**DESCRIPTION**

(\*\*) Term: **14 Years**

FIG. 1 is a perspective view of an air filter with a protruding inner filtering portion;  
FIG. 2 is a front side view of the air filter with the protruding inner filtering portion;  
FIG. 3 is a rear side view of the air filter with the protruding inner filtering portion;  
FIG. 4 is a right side view of the air filter with the protruding inner filtering portion;  
FIG. 5 is a left side view of the air filter with the protruding inner filtering portion;  
FIG. 6 is a cross-sectional view of the air filter with a protruding inner filtering portion taken along line 6—6 of FIG. 5;  
FIG. 7 is a top side view of the air filter with the protruding inner filtering portion; and,  
FIG. 8 is a bottom side view of the air filter with the protruding inner filtering portion.  
The features shown in broken lines in FIGS. 1—8 are for illustrative purposes only and form no part of the claimed design.

(21) Appl. No.: **29/214,405**

(22) Filed: **Sep. 30, 2004**

(51) **LOC (8) Cl.** ..... **23-04**

(52) **U.S. Cl.** ..... **D23/365**

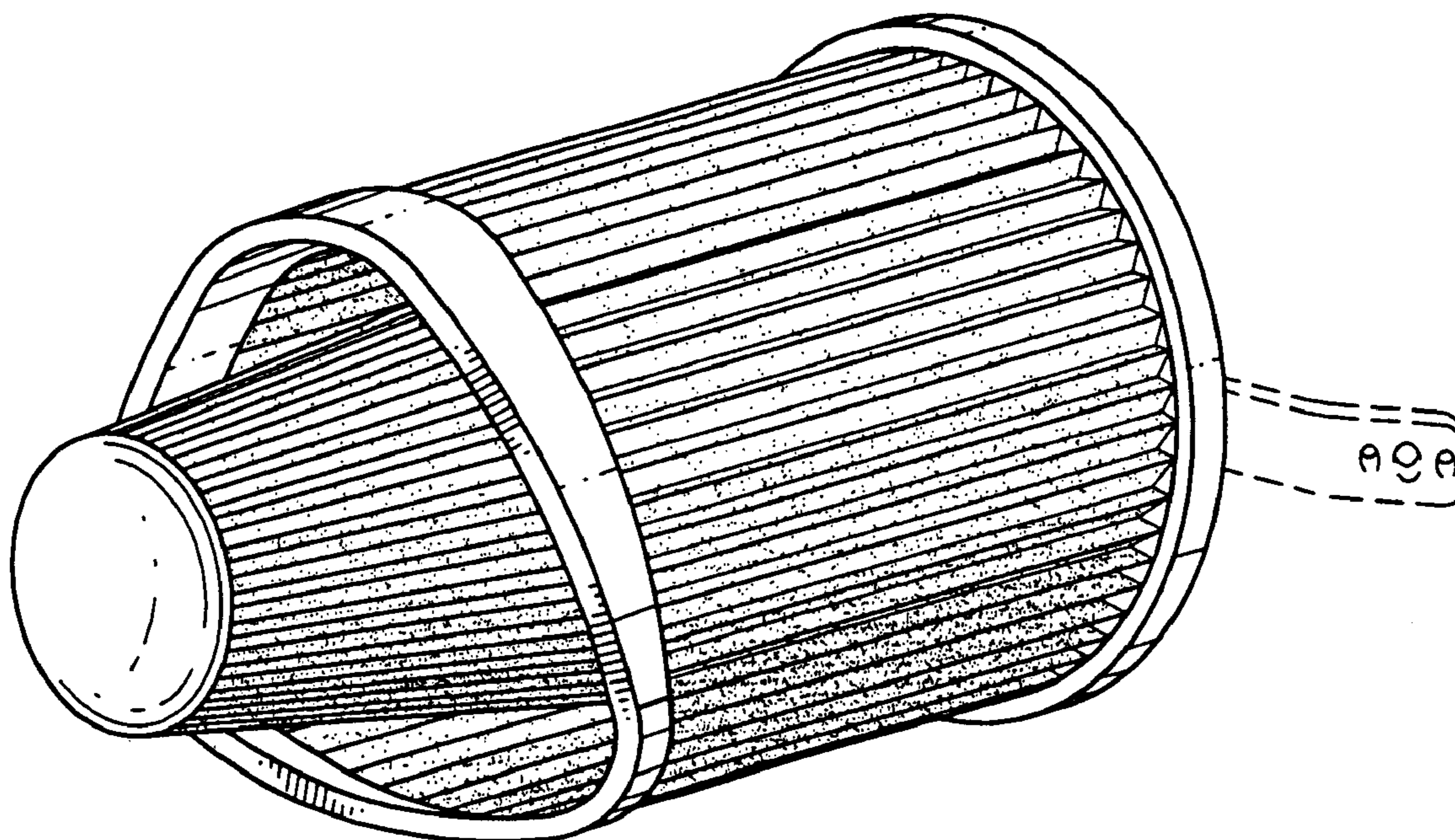
(58) **Field of Classification Search** ..... D23/209,  
D23/365; 55/521, 385.03, 498  
See application file for complete search history.

(56) **References Cited**

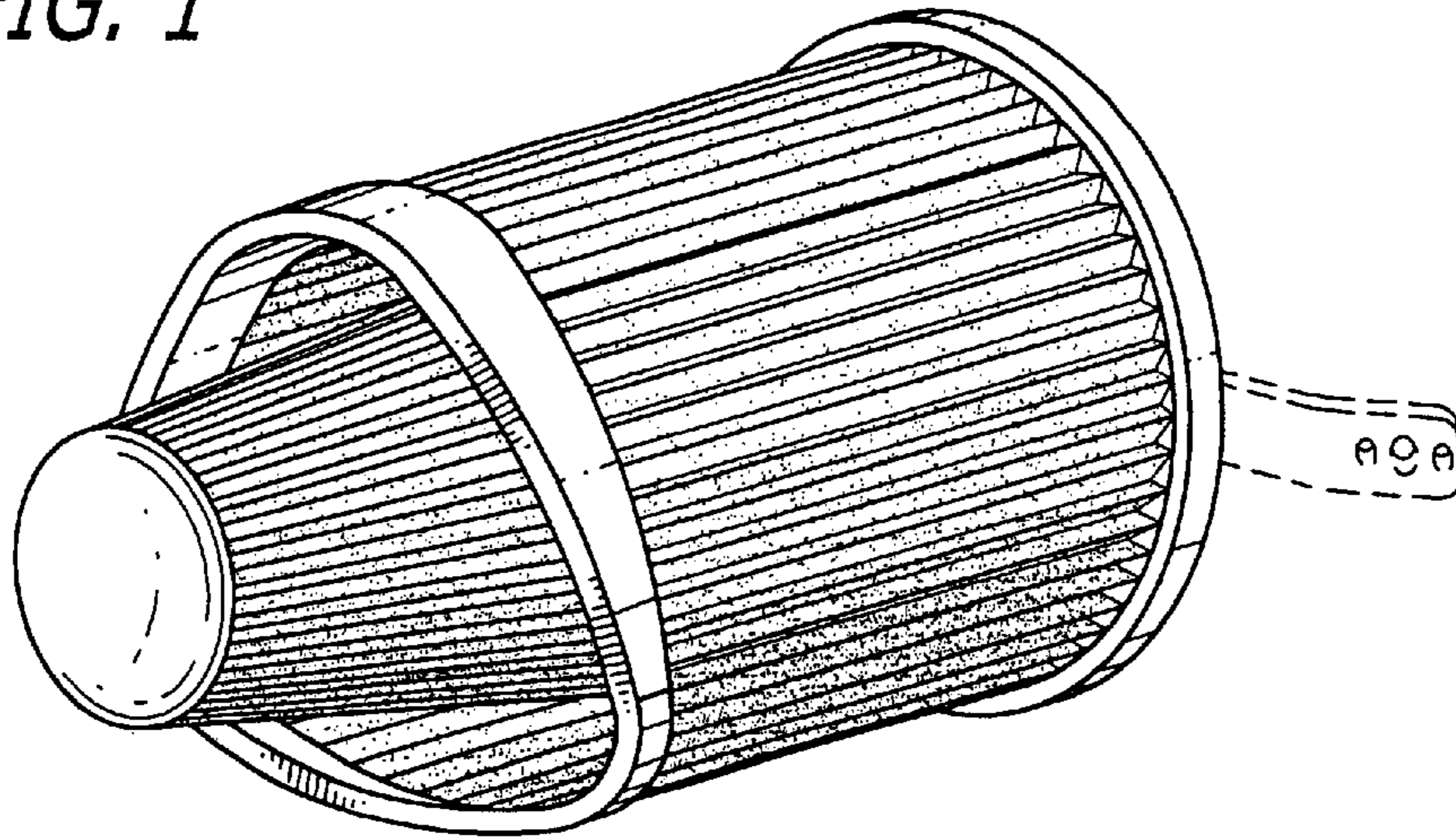
**U.S. PATENT DOCUMENTS**

D342,990 S	*	1/1994	Jaroszczyk	.....	D23/365
5,522,909 A	*	6/1996	Haggard	.....	55/327
D381,741 S	*	7/1997	Johnson	.....	D23/364
5,685,887 A	*	11/1997	Mochida	.....	55/336
5,814,117 A	*	9/1998	Mochida	.....	55/385.3
D401,684 S	*	11/1998	Shelton et al.	.....	D23/365
5,972,059 A	*	10/1999	Morgan	.....	55/336

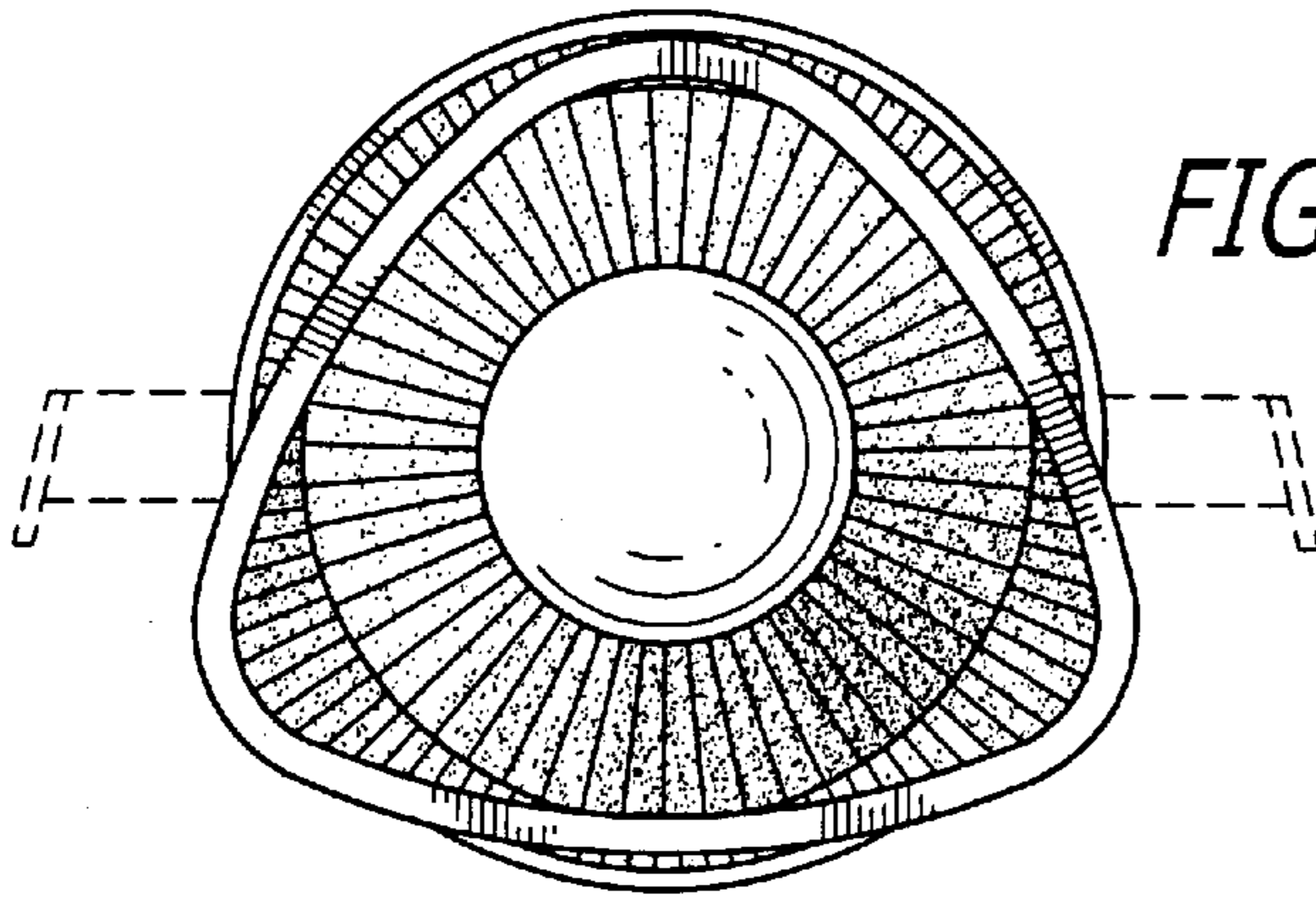
**1 Claim, 3 Drawing Sheets**



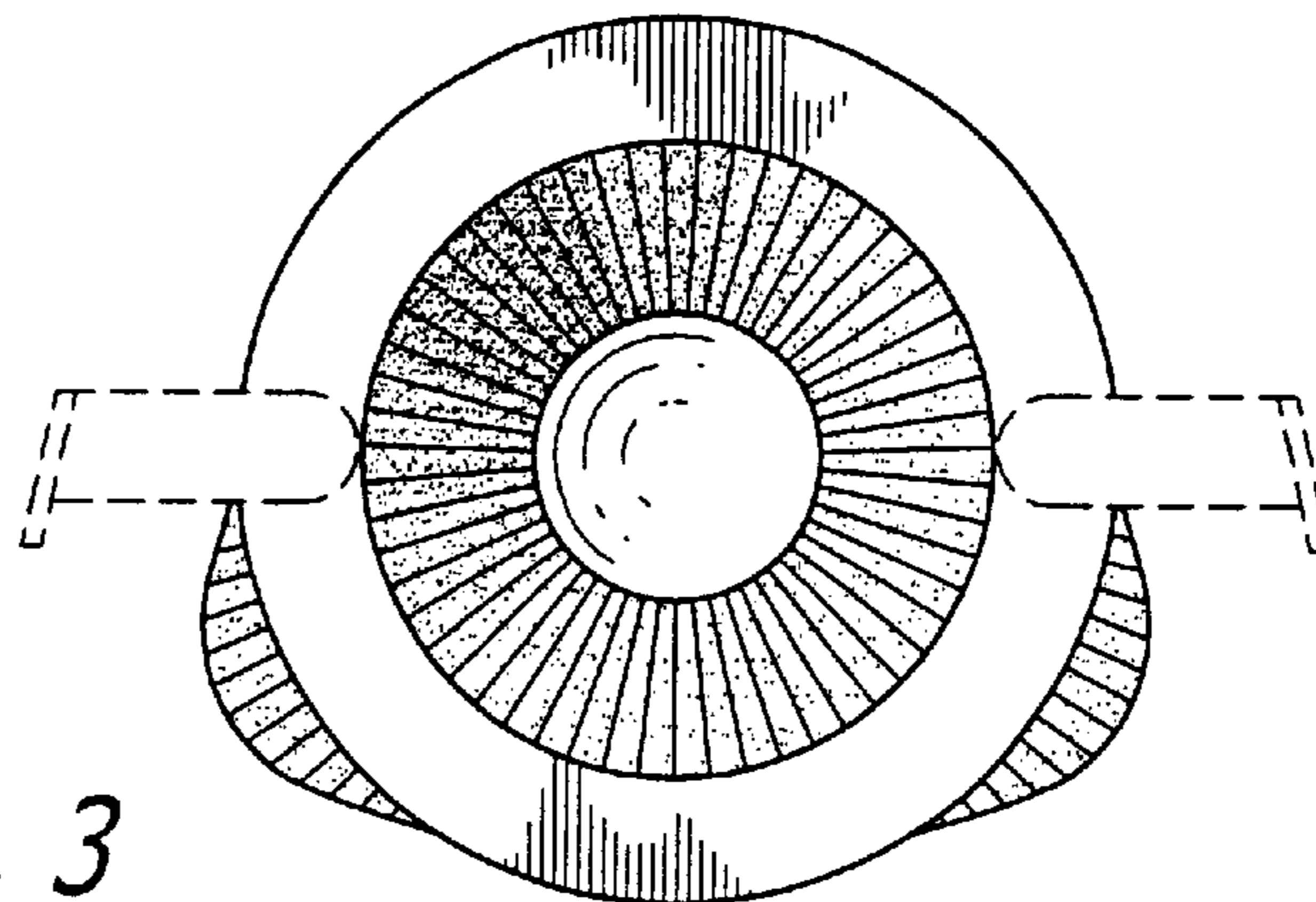
*FIG. 1*



*FIG. 2*



*FIG. 3*



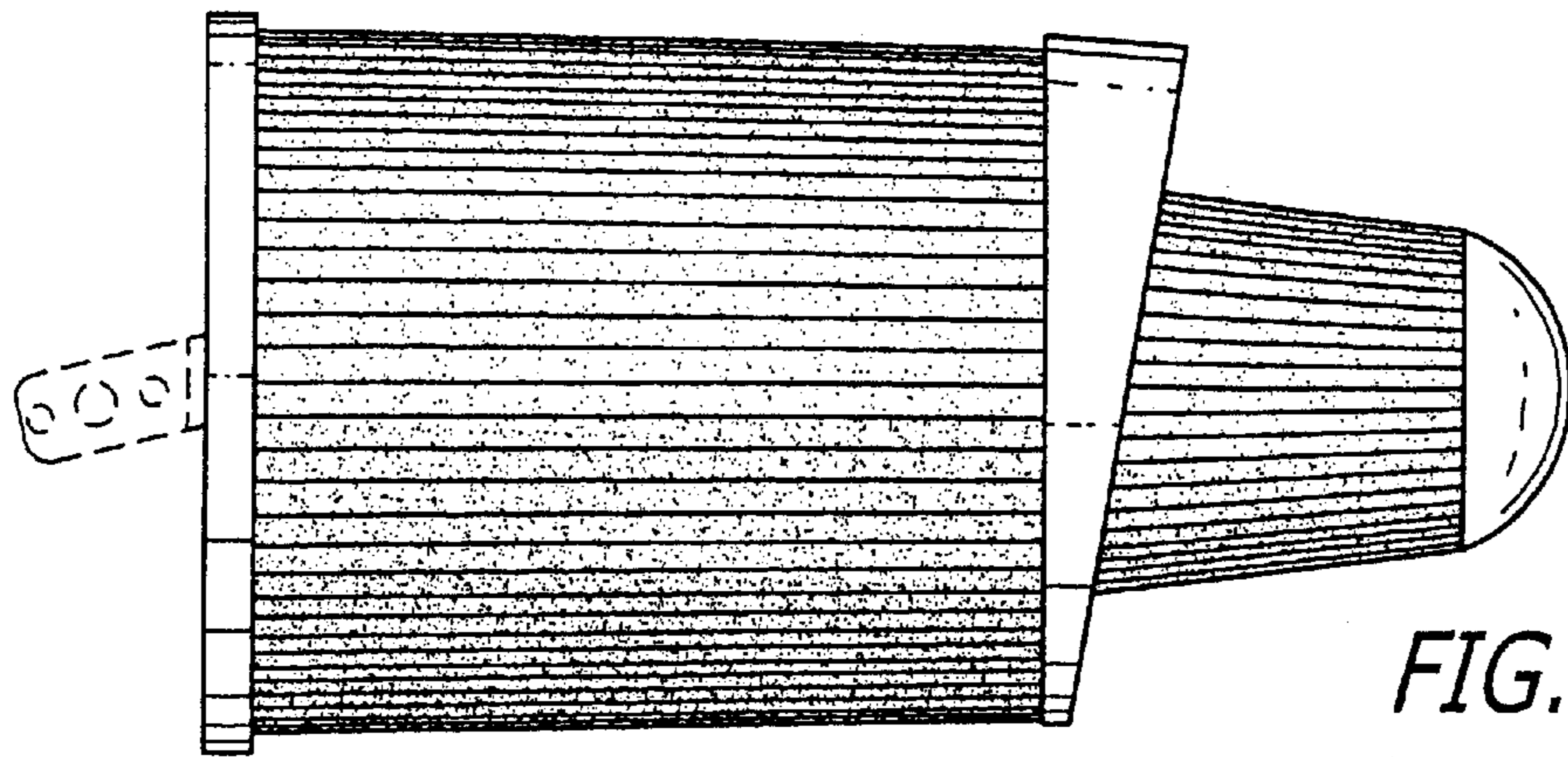


FIG. 4

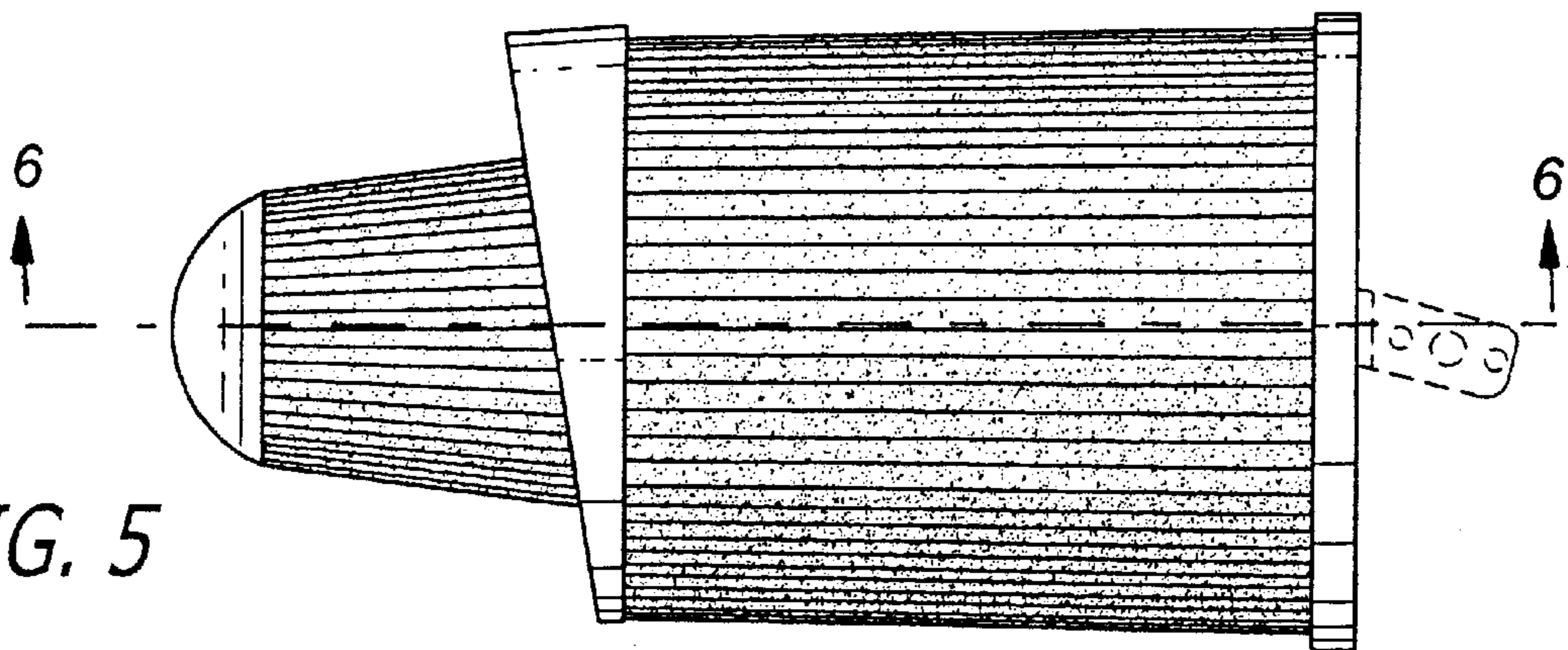


FIG. 5

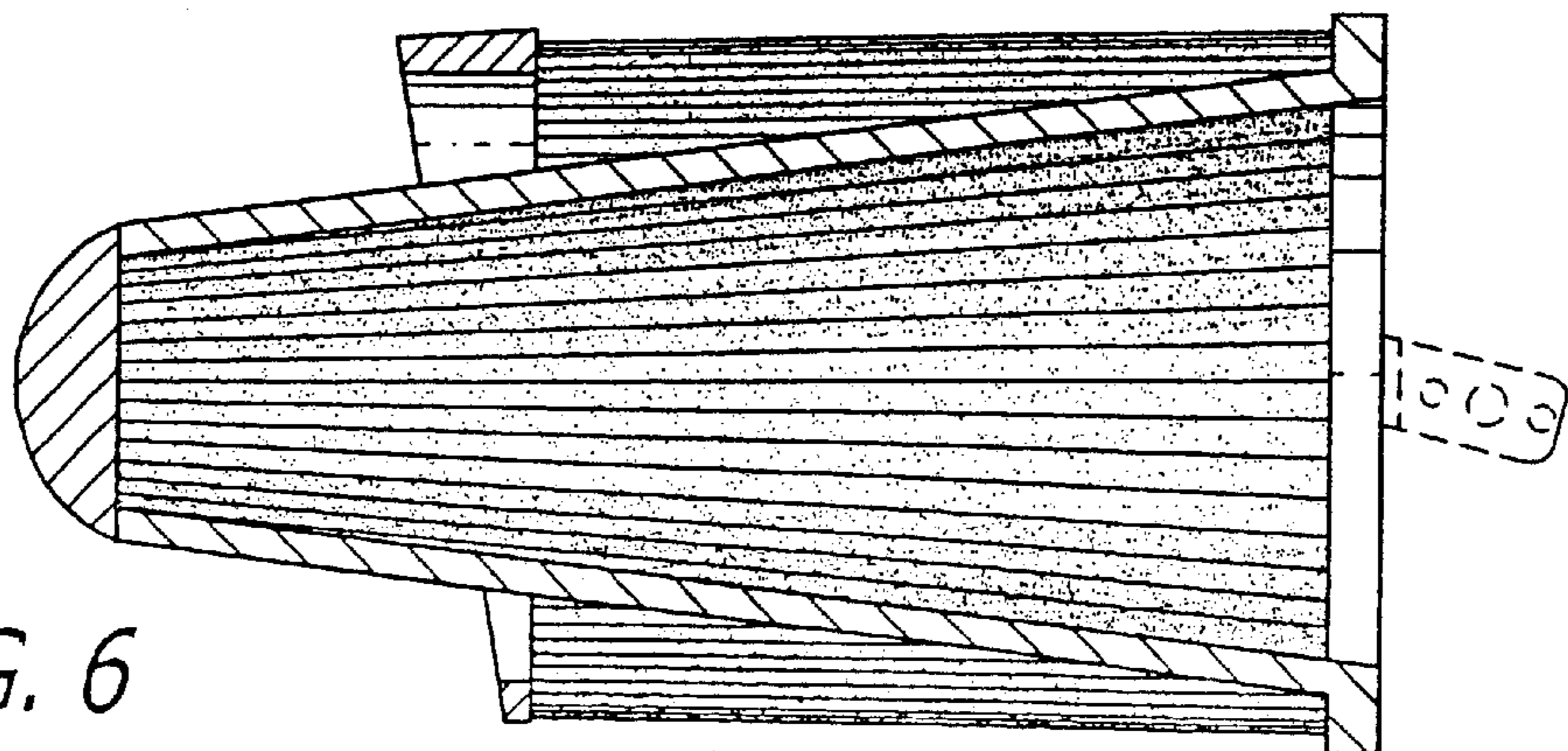


FIG. 6

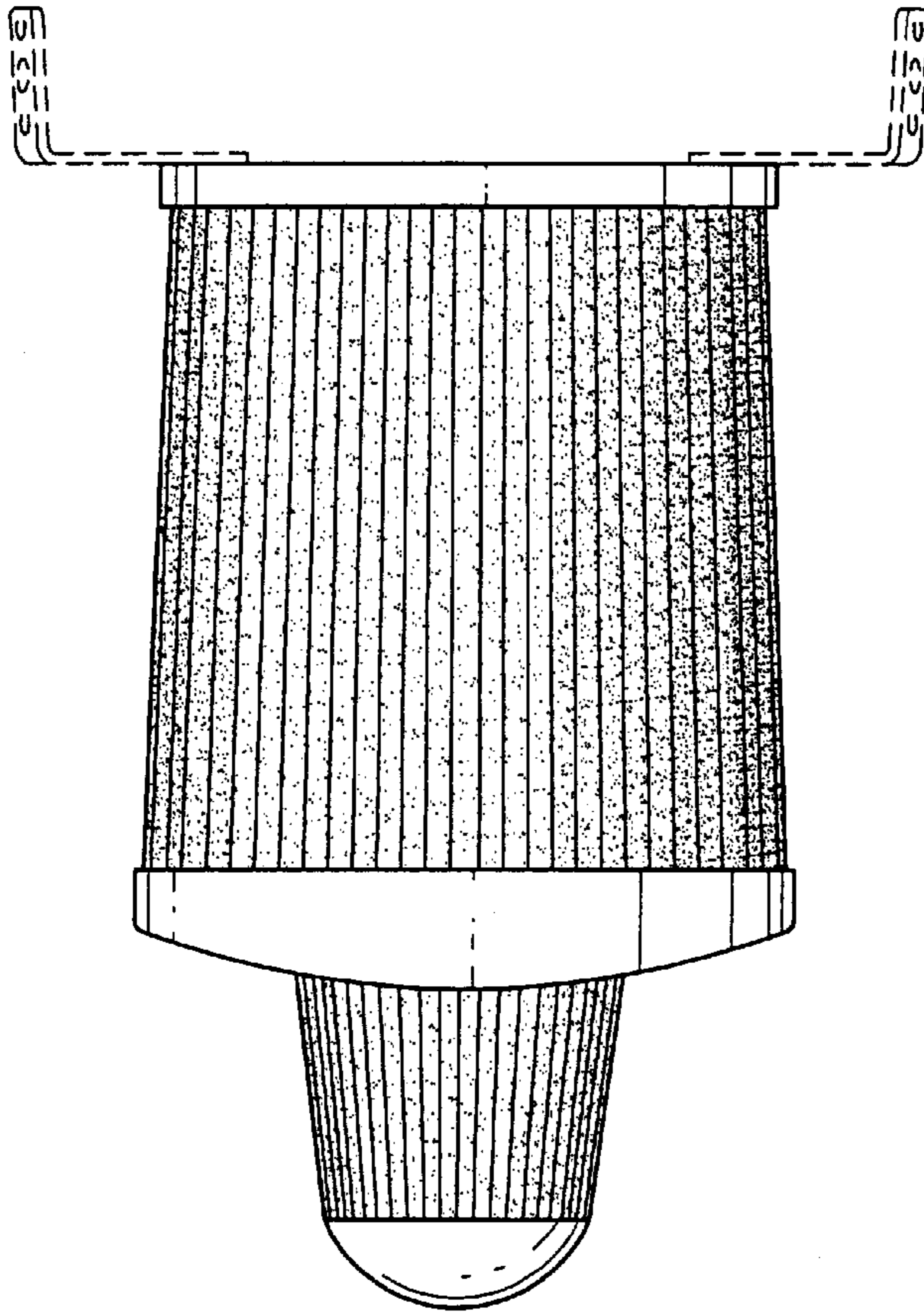


FIG. 7

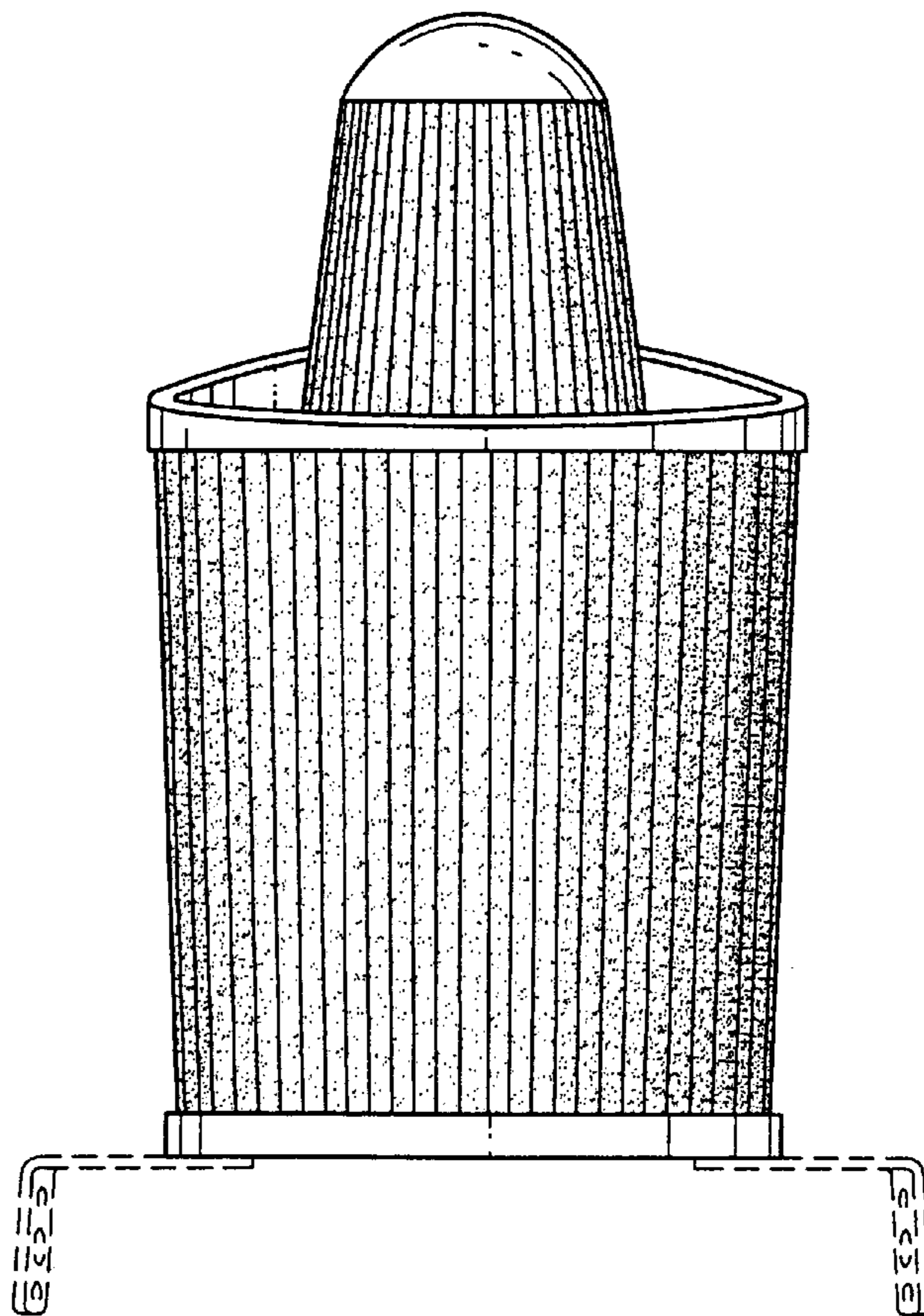


FIG. 8