



US00D533261S

(12) **United States Design Patent**
Mukai

(10) **Patent No.:** **US D533,261 S**
(45) **Date of Patent:** **** Dec. 5, 2006**

(54) **WATER CLOSET**

(75) Inventor: **Yoshitaka Mukai**, Kitakyushu (JP)

(73) Assignee: **TOTO Ltd**, Kitakyusha (JP)

(**) Term: **14 Years**

(21) Appl. No.: **29/257,032**

(22) Filed: **Mar. 29, 2006**

(51) **LOC (8) Cl.** **23-02**

(52) **U.S. Cl.** **D23/301**

(58) **Field of Classification Search** D23/273-274,
D23/295-301, 303, 309, 313; 4/663-665,
4/300-300.3, 312-313, 328-329, 353, 420,
4/443-446, 449, 459-460, 479-480, 902,
4/905, DIG. 11, DIG. 12, DIG. 15

See application file for complete search history.

(56) **References Cited**

U.S. PATENT DOCUMENTS

D101,441 S * 10/1936 Dreyfuss D23/301
D116,810 S * 9/1939 Uphues D23/301

3,995,327 A * 12/1976 Hendrick 4/363
5,031,253 A * 7/1991 Brendlinger 4/300.3
D520,614 S * 5/2006 Tani D23/301

* cited by examiner

Primary Examiner—Robert A. Delehanty

(74) *Attorney, Agent, or Firm*—Birch, Stewart, Kolasch & Birch, LLP

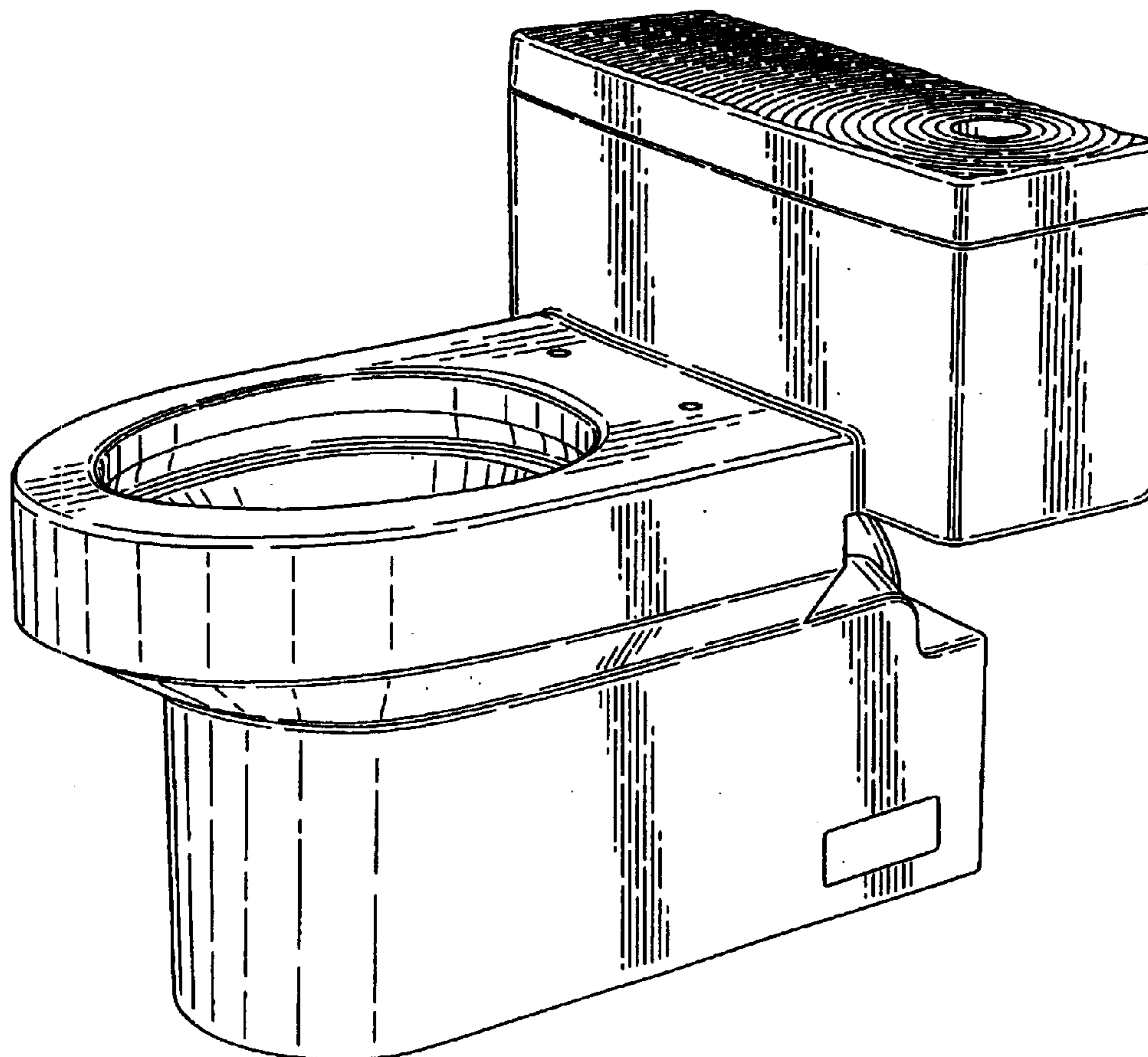
(57) **CLAIM**

The ornamental design for a water closet, as shown and described.

DESCRIPTION

FIG. 1 is a perspective view of the top, front and right side of a water closet showing my new design;
FIG. 2 is a top plan view thereof;
FIG. 3 is a front view thereof;
FIG. 4 is a left side view thereof;
FIG. 5 is a right side view thereof;
FIG. 6 is a rear view thereof; and,
FIG. 7 is a bottom view thereof.

1 Claim, 4 Drawing Sheets



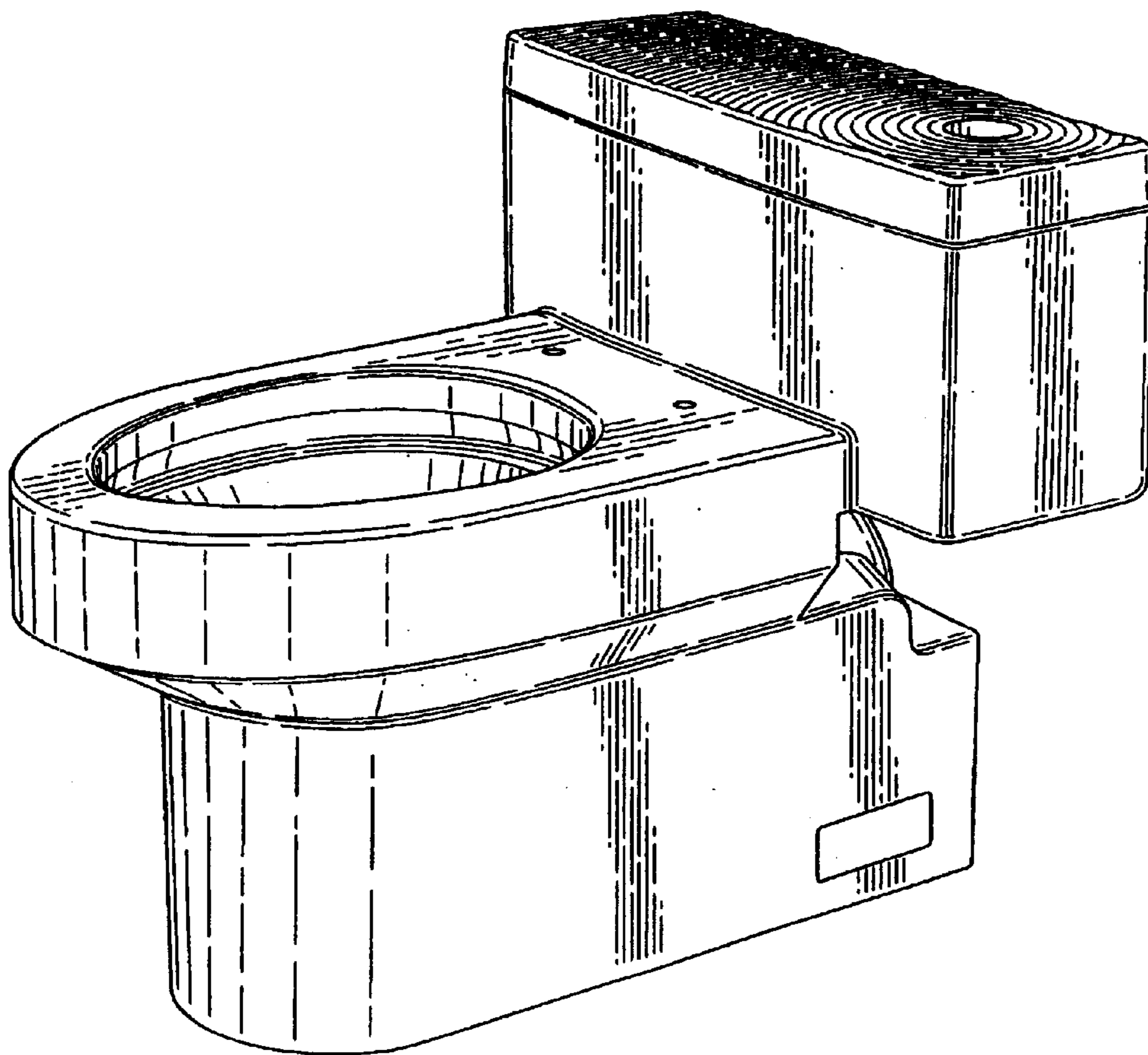


FIG. 1

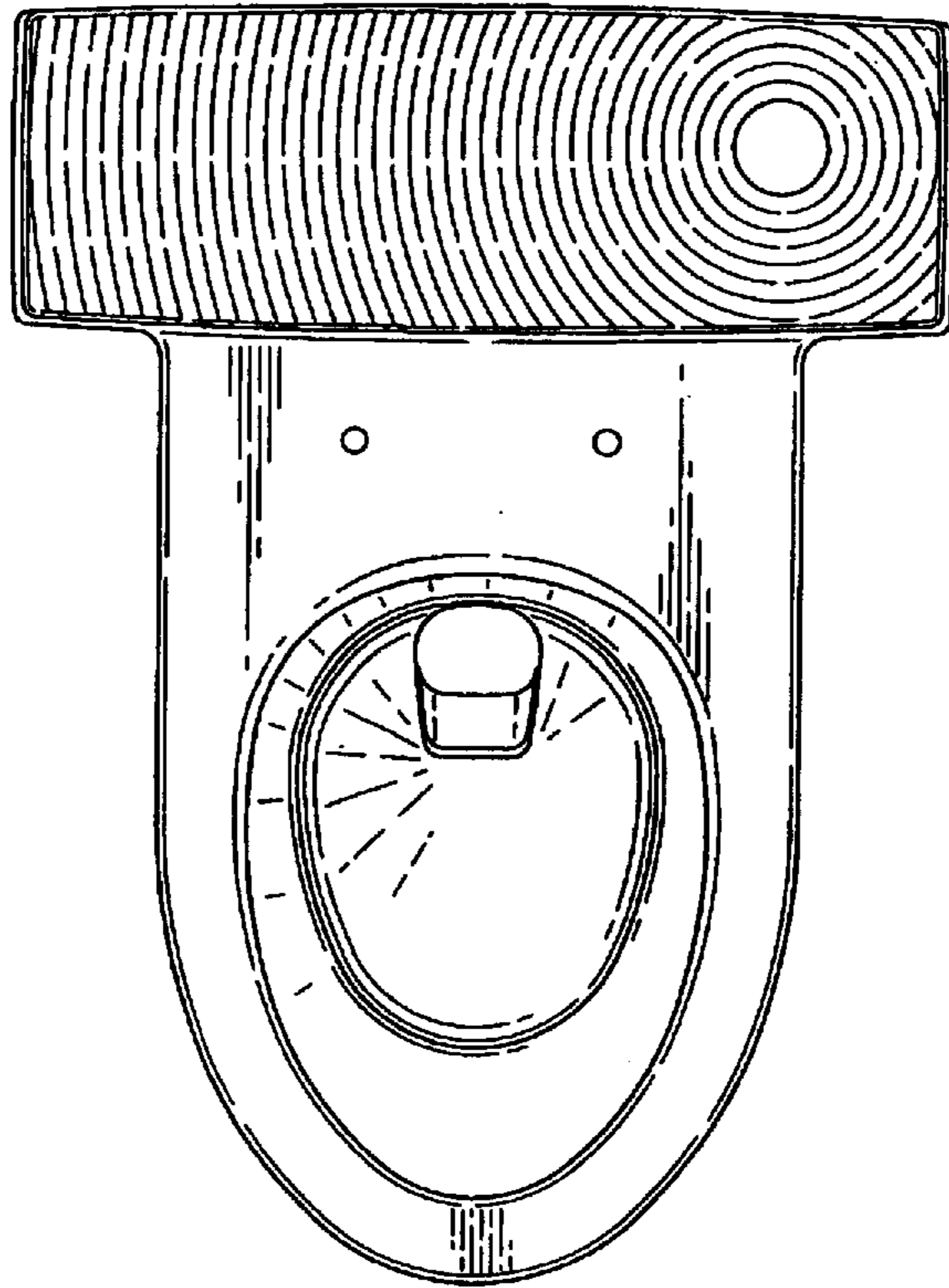


FIG. 2

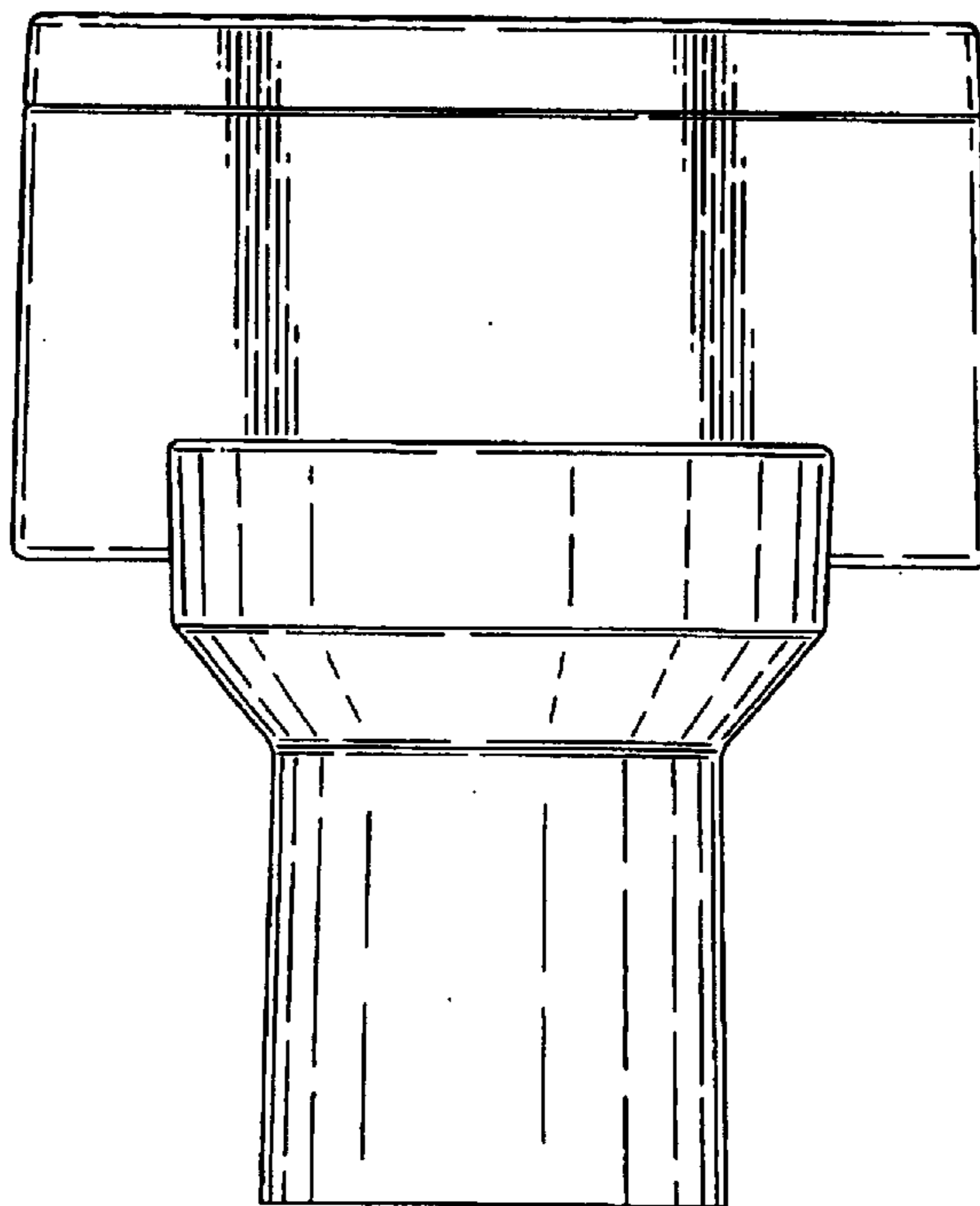


FIG. 3

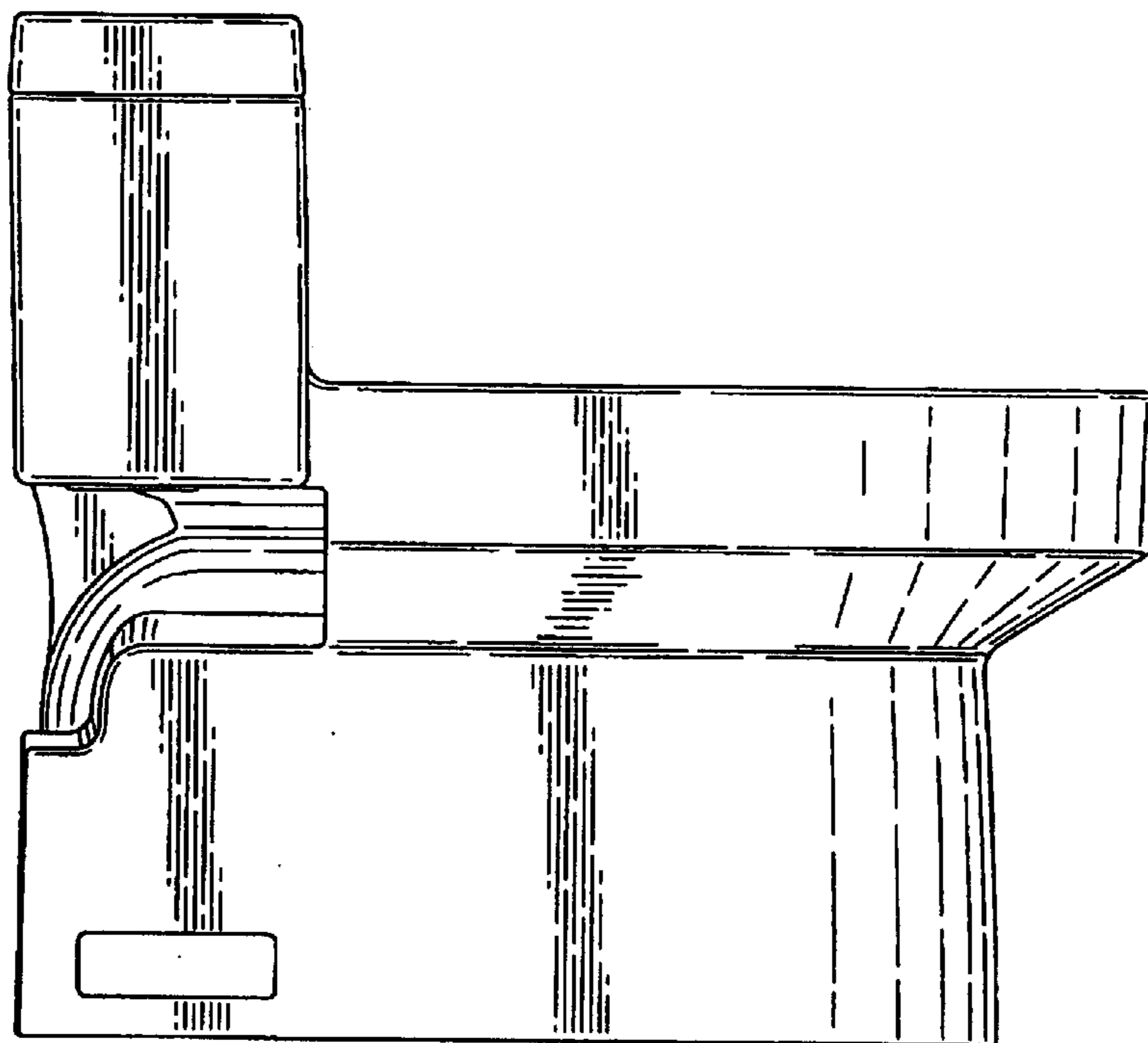


FIG. 4

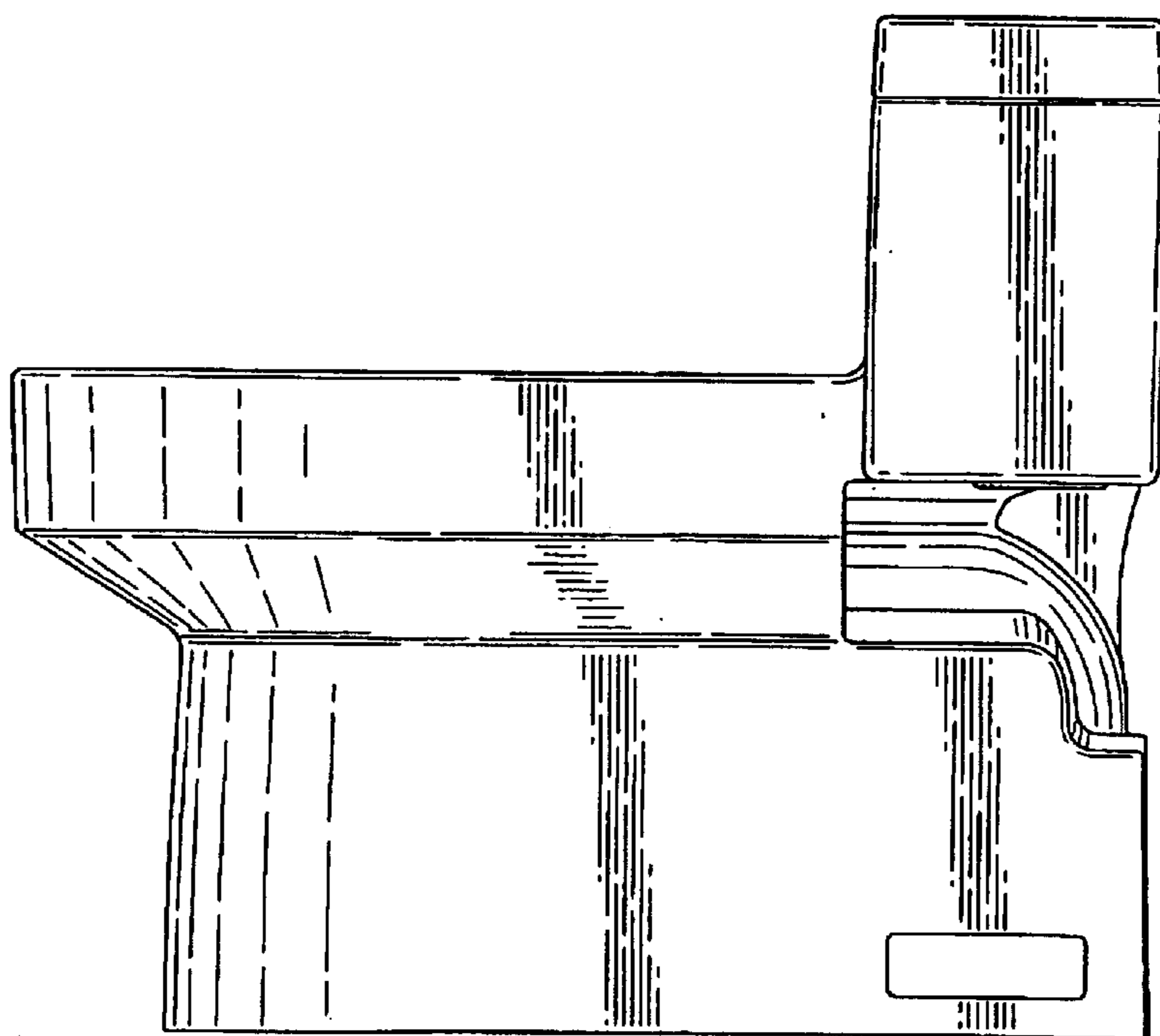


FIG. 5

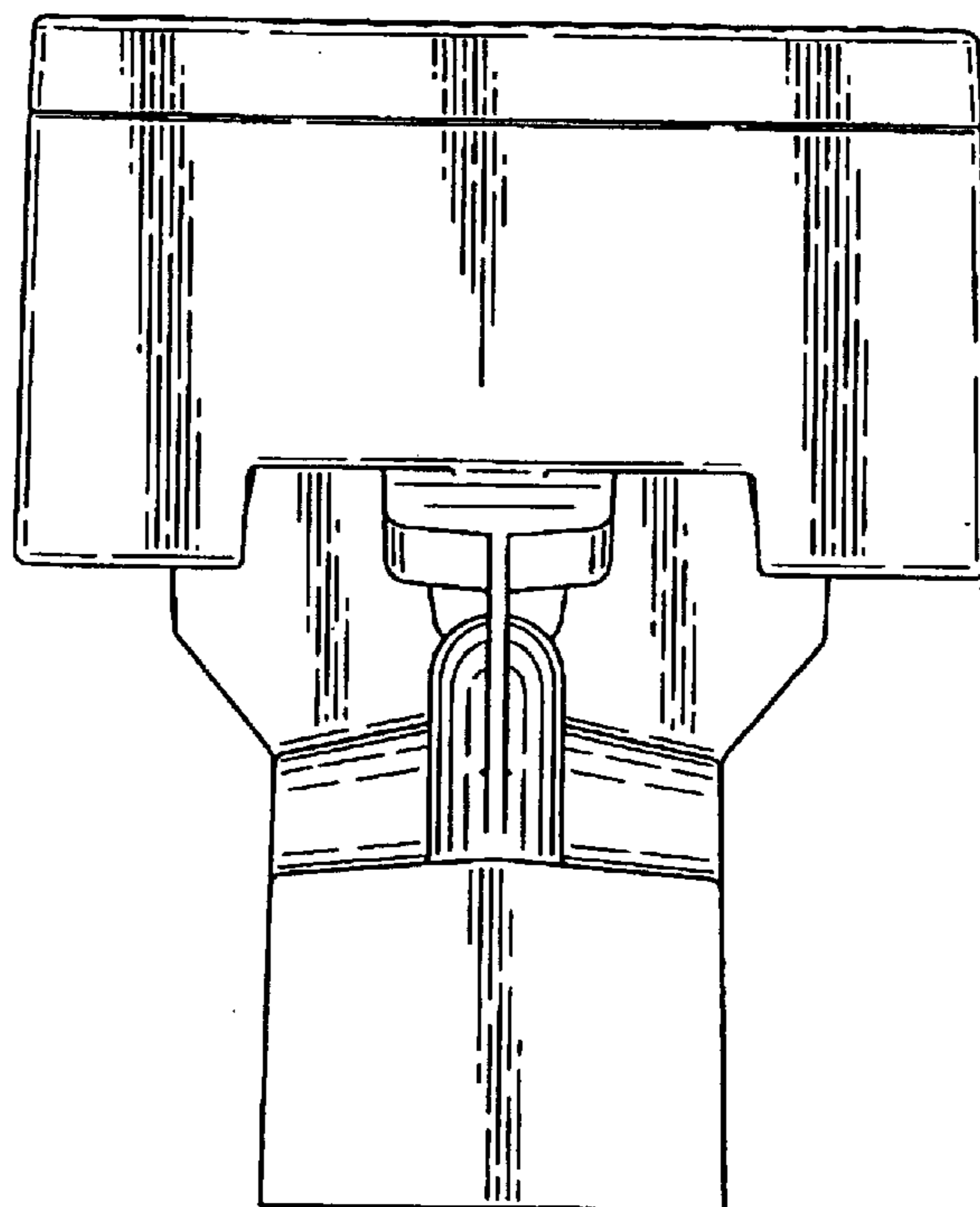


FIG. 6

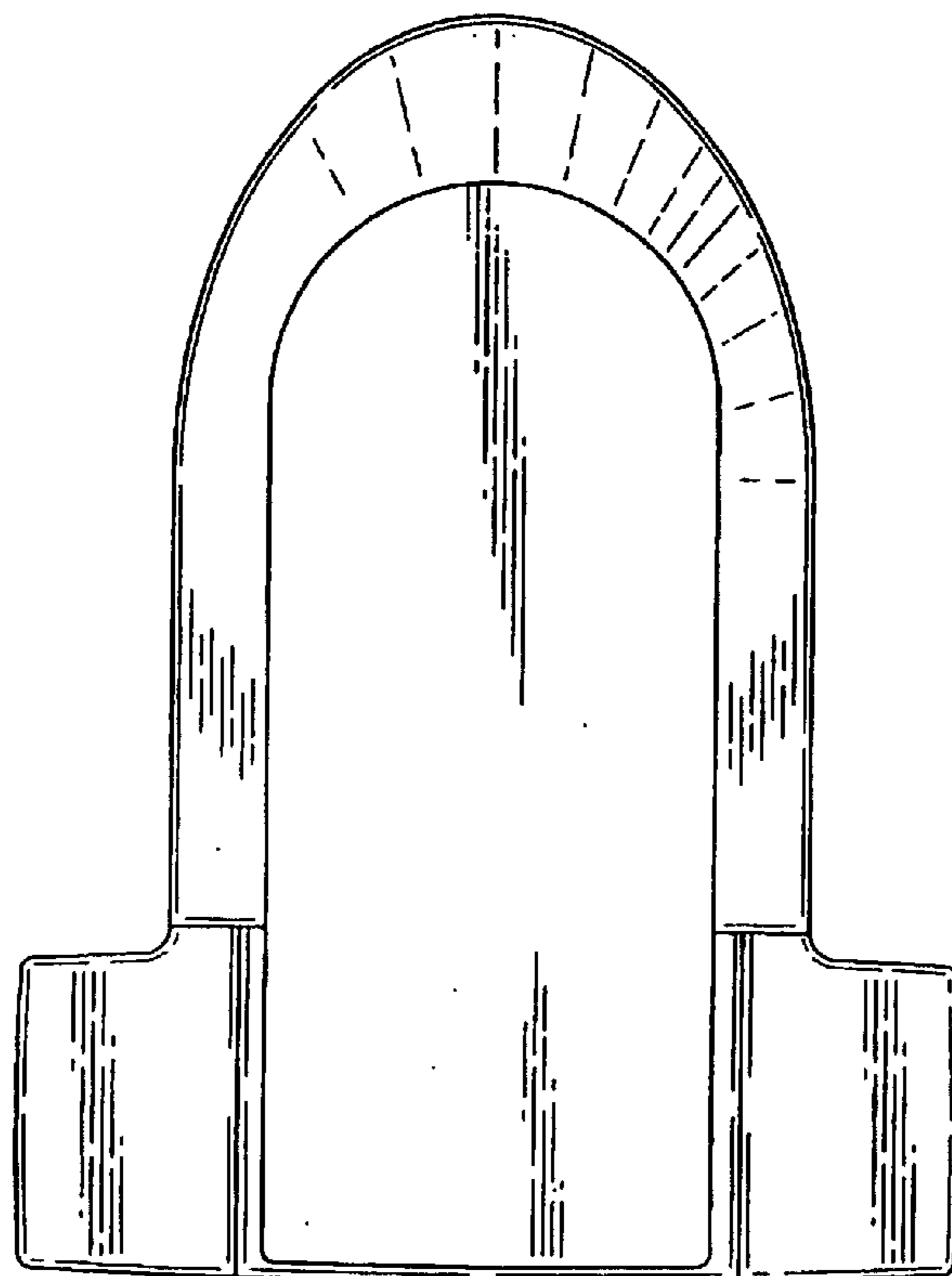


FIG. 7