



US00D533259S

(12) **United States Design Patent**
Lewis et al.

(10) **Patent No.:** **US D533,259 S**
(45) **Date of Patent:** **** Dec. 5, 2006**

(54) **PORTION OF A PIPE FITTING**
(75) Inventors: **Eric Wayne Lewis**, Charlotte, NC
(US); **Julie Starnes Parker**, Waxhaw,
NC (US)
(73) Assignee: **Charlotte Pipe and Foundry**
Company, Charlotte, NC (US)
(**) Term: **14 Years**
(21) Appl. No.: **29/225,304**
(22) Filed: **Mar. 14, 2005**
(51) **LOC (8) Cl.** **23-01**
(52) **U.S. Cl.** **D23/262**
(58) **Field of Classification Search** D23/259,
D23/262; 285/353, 251, 256, 148.18, 148.23
See application file for complete search history.

(56) **References Cited**

U.S. PATENT DOCUMENTS

582,137	A	*	5/1897	Dockery	285/148.11
658,313	A	*	9/1900	Bernardi	403/300
1,970,059	A	*	8/1934	Schotter	285/332
2,776,151	A		1/1957	Harkenrider		
2,968,821	A		1/1961	Morin et al.		
3,018,519	A		1/1962	Morin et al.		
3,245,701	A		4/1966	Leopold, Jr. et al.		
3,858,914	A		1/1975	Karie et al.		
3,895,466	A	*	7/1975	Melton	29/890.14
4,093,280	A		6/1978	Yoshizawa et al.		
4,339,406	A		7/1982	Underwood		
4,363,504	A		12/1982	De Feo et al.		
4,377,894	A		3/1983	Yoshida		
4,842,540	A		6/1989	Endo et al.		
4,905,766	A		3/1990	Dietz et al.		
5,109,929	A		5/1992	Spears		
5,277,456	A	*	1/1994	Mer et al.	285/21.2
5,366,257	A		11/1994	McPherson et al.		
5,437,481	A		8/1995	Spears et al.		
D363,767	S	*	10/1995	Swaim	D23/260
5,551,141	A		9/1996	De'Ath et al.		
5,701,935	A	*	12/1997	Vasudeva	138/89
5,851,472	A		12/1998	Kashiyama		
5,861,120	A		1/1999	Yagi et al.		

5,954,371	A		9/1999	Koke et al.		
6,099,975	A		8/2000	Peterson et al.		
6,148,581	A		11/2000	Separautzki		
6,378,912	B1		4/2002	Condon et al.		
6,460,432	B1		10/2002	Julian et al.		
6,521,160	B1		2/2003	Suzuki		
2003/0146620	A1		8/2003	Young et al.		

FOREIGN PATENT DOCUMENTS

JP 361290019 A 12/1986

* cited by examiner

Primary Examiner—Robin Webster

(74) Attorney, Agent, or Firm—Alston & Bird LLP

(57) **CLAIM**

The ornamental design for a portion of a pipe fitting, as shown and described.

DESCRIPTION

FIG. 1 is a top/front perspective view of a portion of a pipe fitting according to a first embodiment of the present design; FIG. 2 is a bottom/front perspective view of the portion of a pipe fitting shown in FIG. 1;

FIG. 3 is a top/rear perspective view of the portion of a pipe fitting shown in FIG. 1;

FIG. 4 is a bottom/rear perspective view of the portion of a pipe fitting shown in FIG. 1;

FIG. 5 is a front elevation view of the portion of a pipe fitting shown in FIG. 1;

FIG. 6 is a rear elevation view of the portion of a pipe fitting shown in FIG. 1;

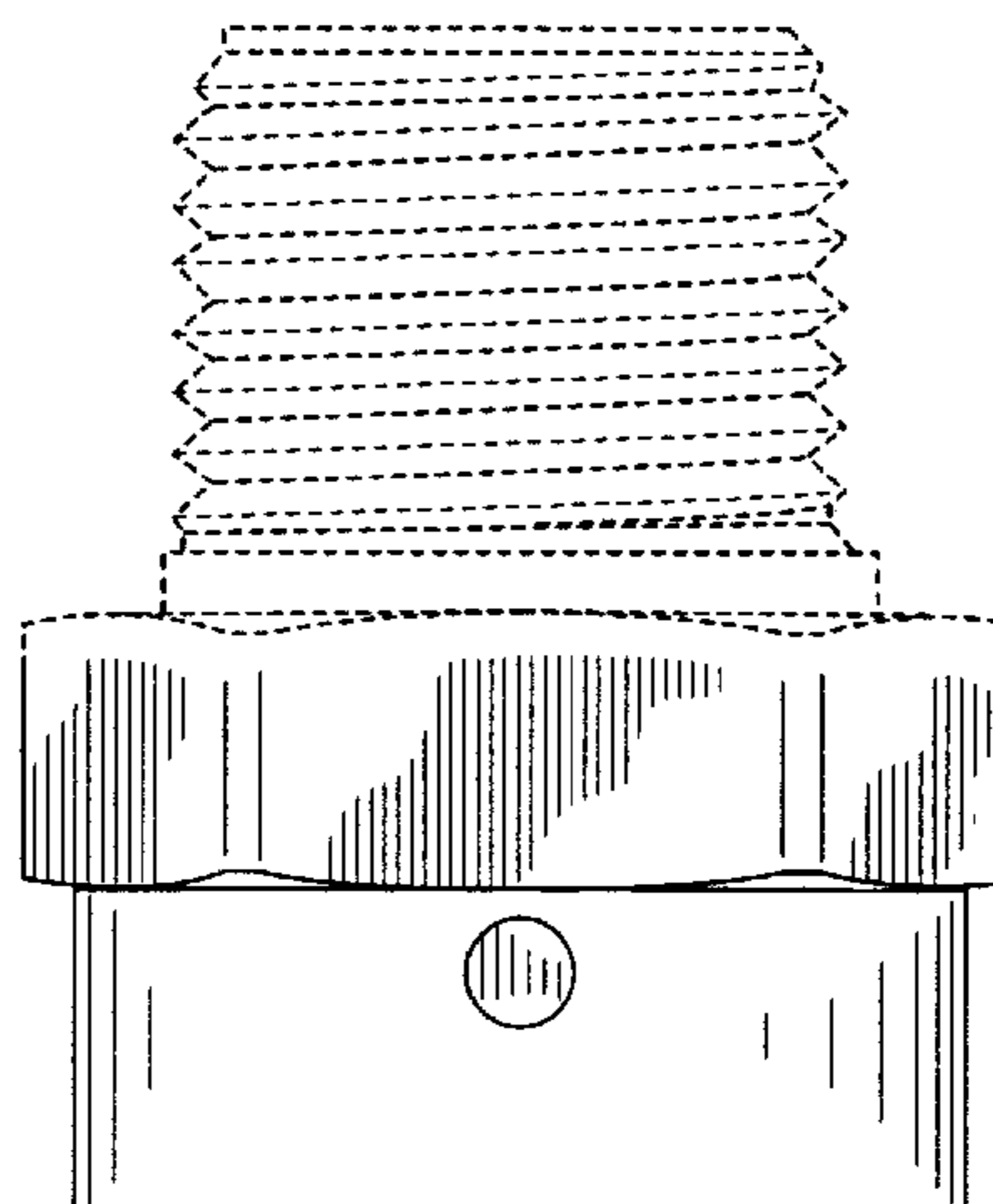
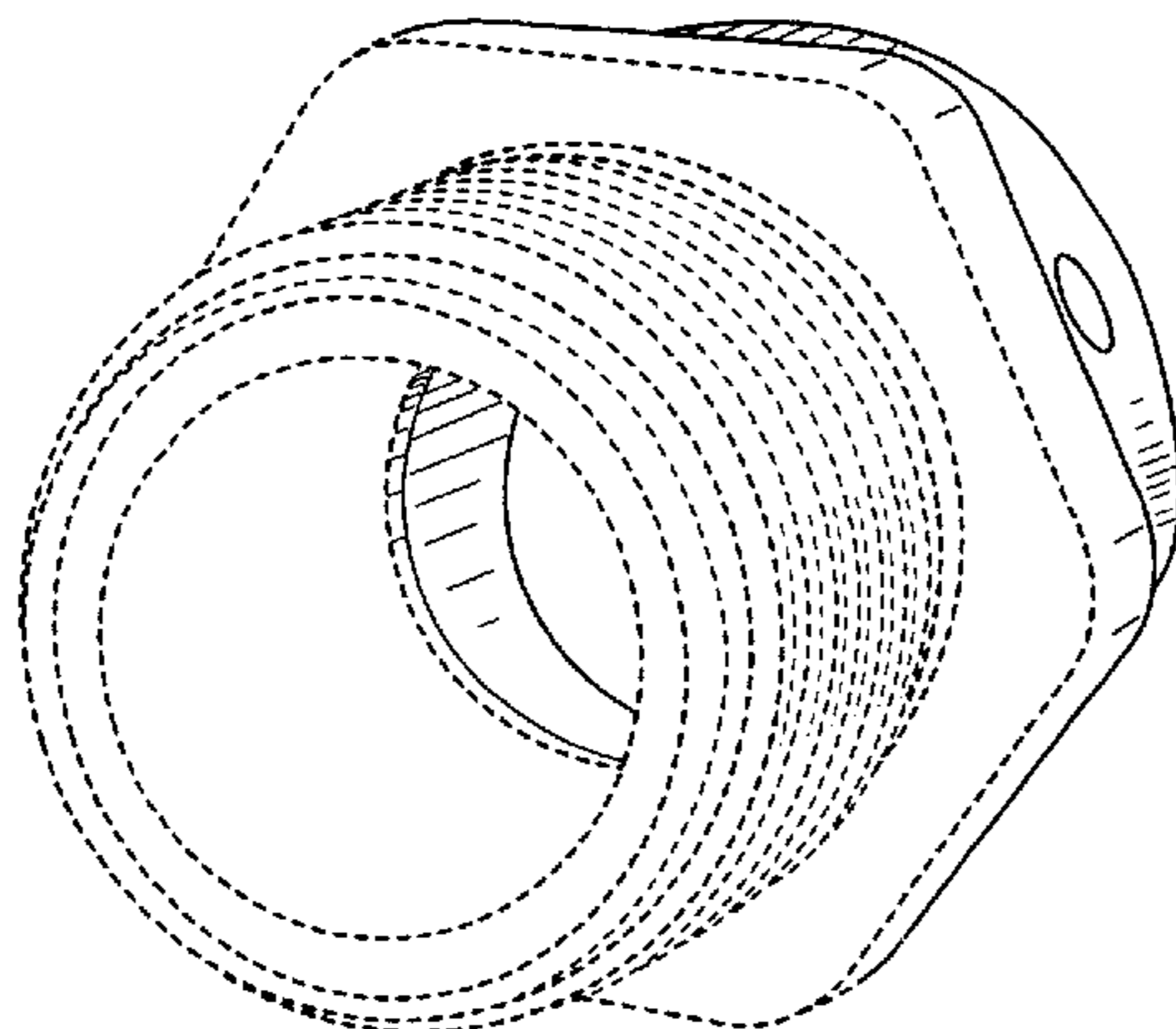
FIG. 7 is a right side elevation view of the portion of a pipe fitting shown in FIG. 1, with the left side elevation view of the portion of a pipe fitting shown in FIG. 1 being a mirror image of FIG. 7;

FIG. 8 is a top plan view of the portion of a pipe fitting shown in FIG. 1; and,

FIG. 9 is a bottom plan view of the portion of a pipe fitting shown in FIG. 1.

The broken lines shown herein are for illustrative purposes only and form no part of the claimed design.

1 Claim, 5 Drawing Sheets



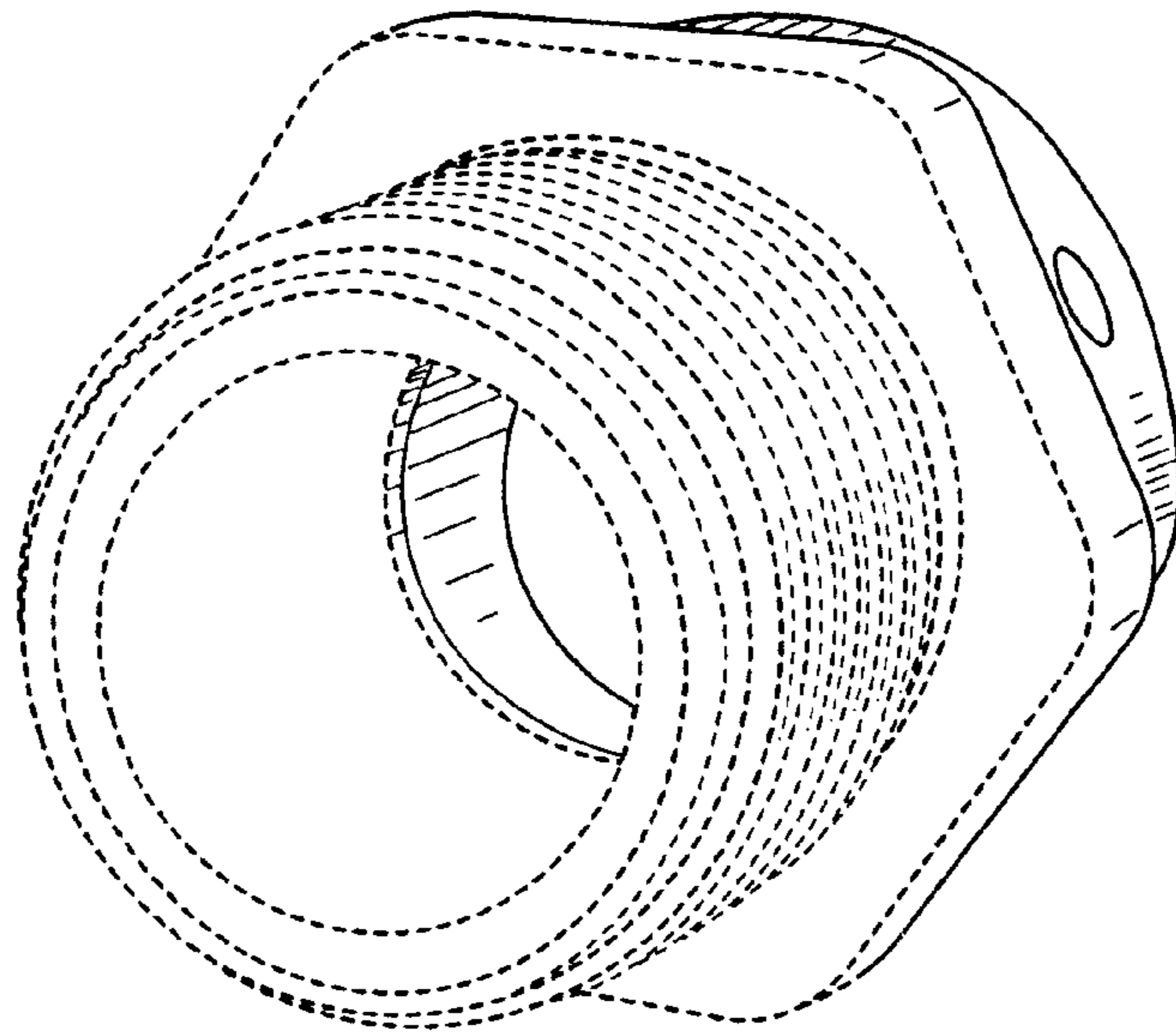


FIG. 1

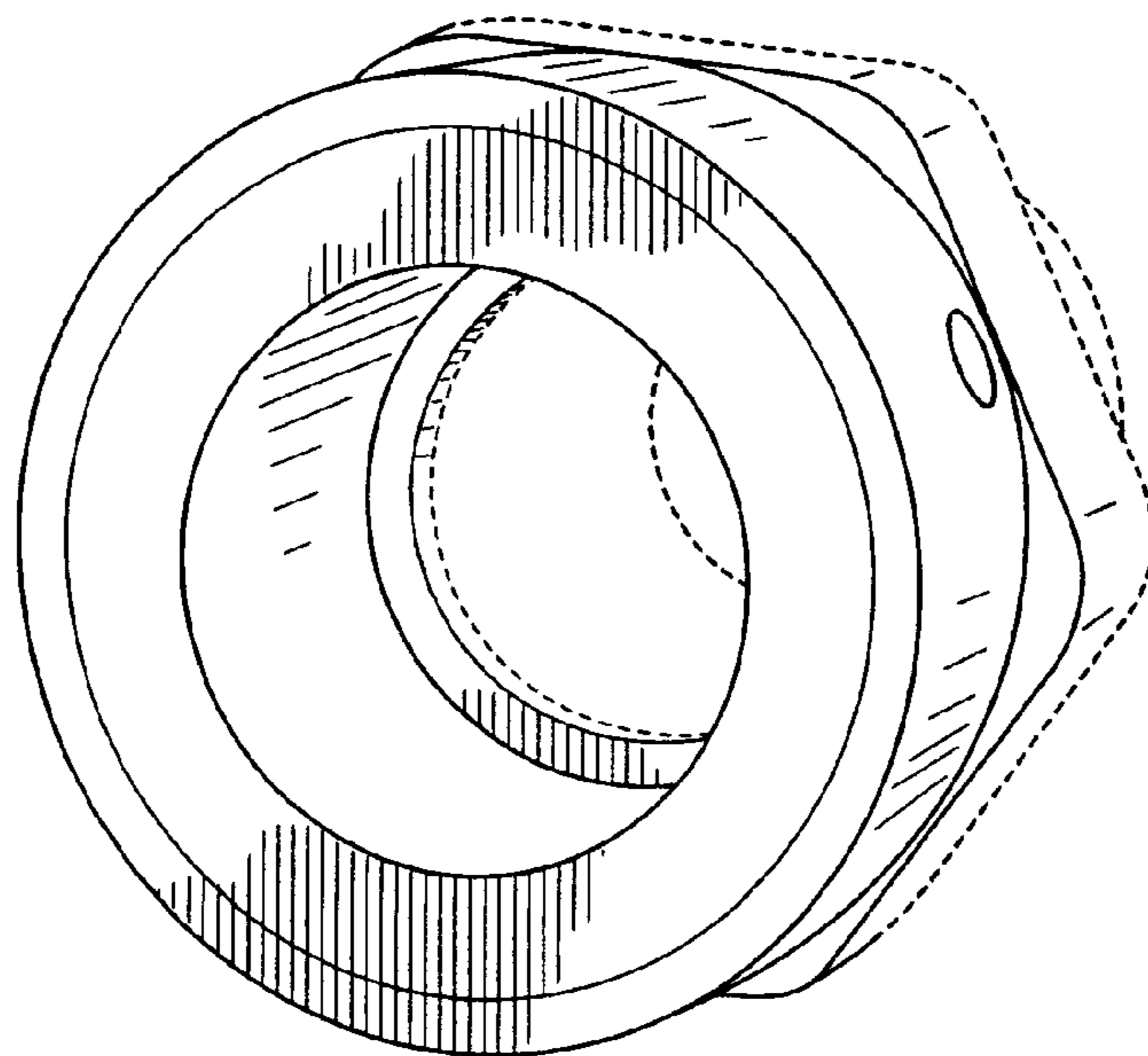


FIG. 2

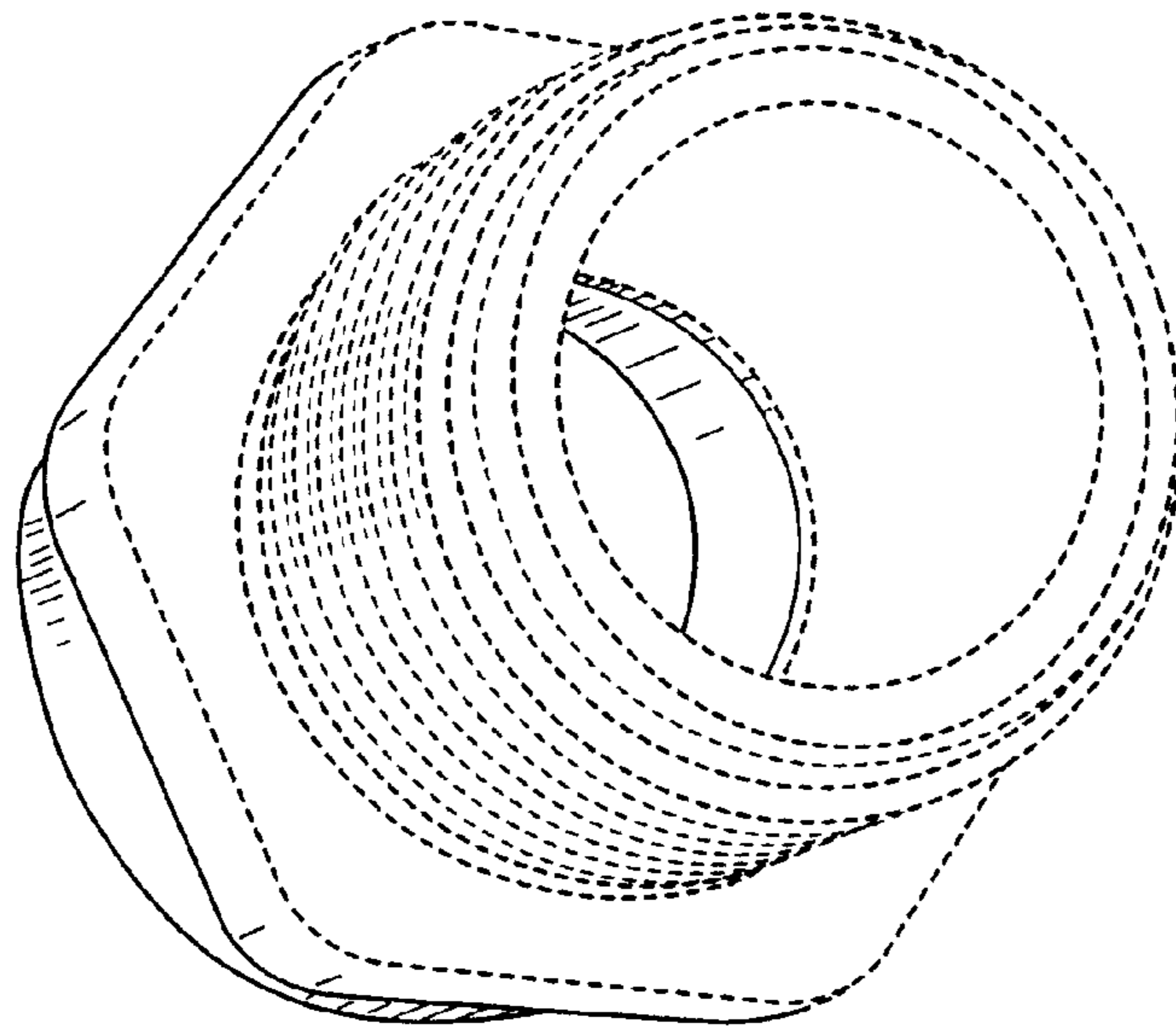


FIG. 3

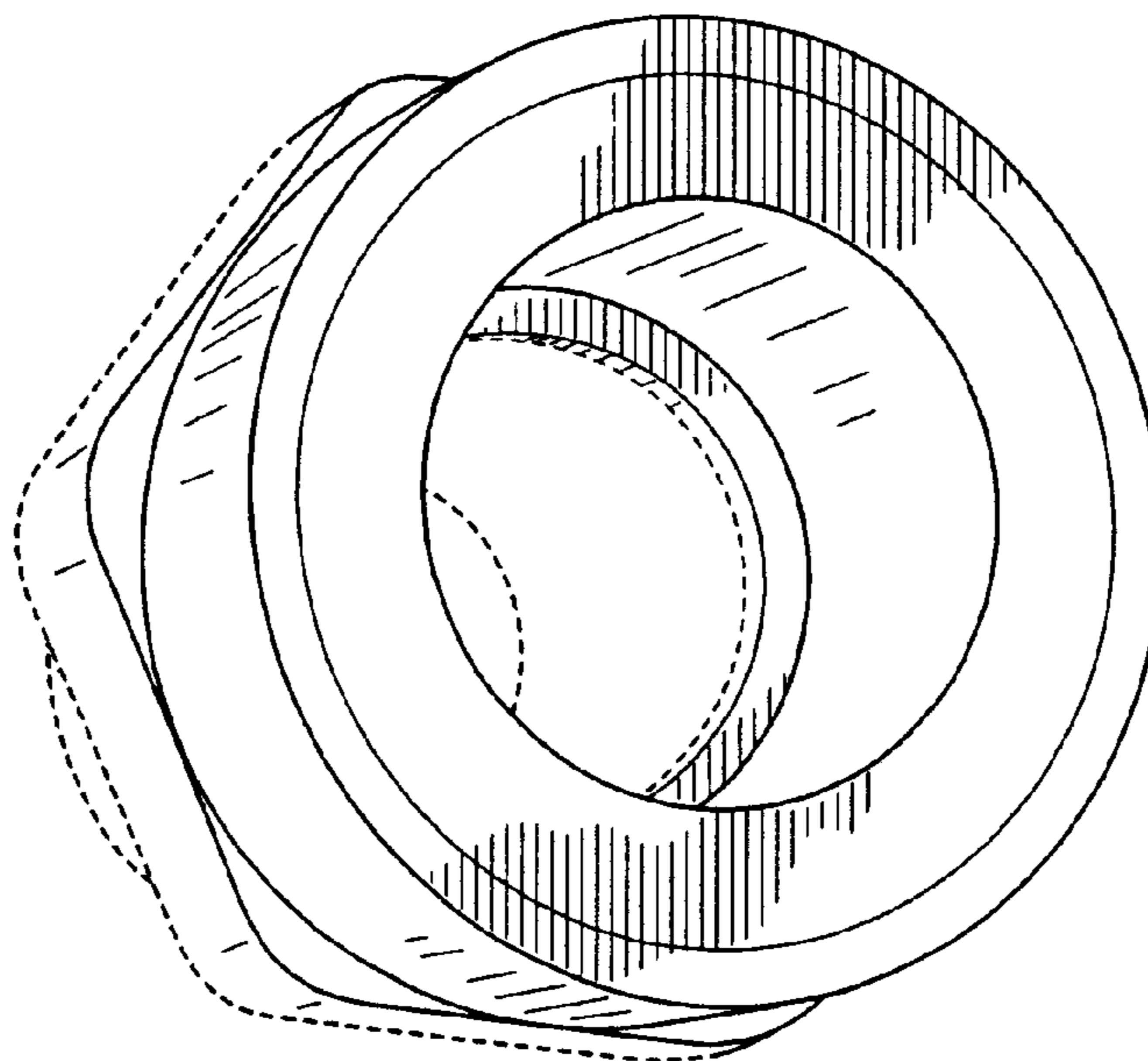


FIG. 4

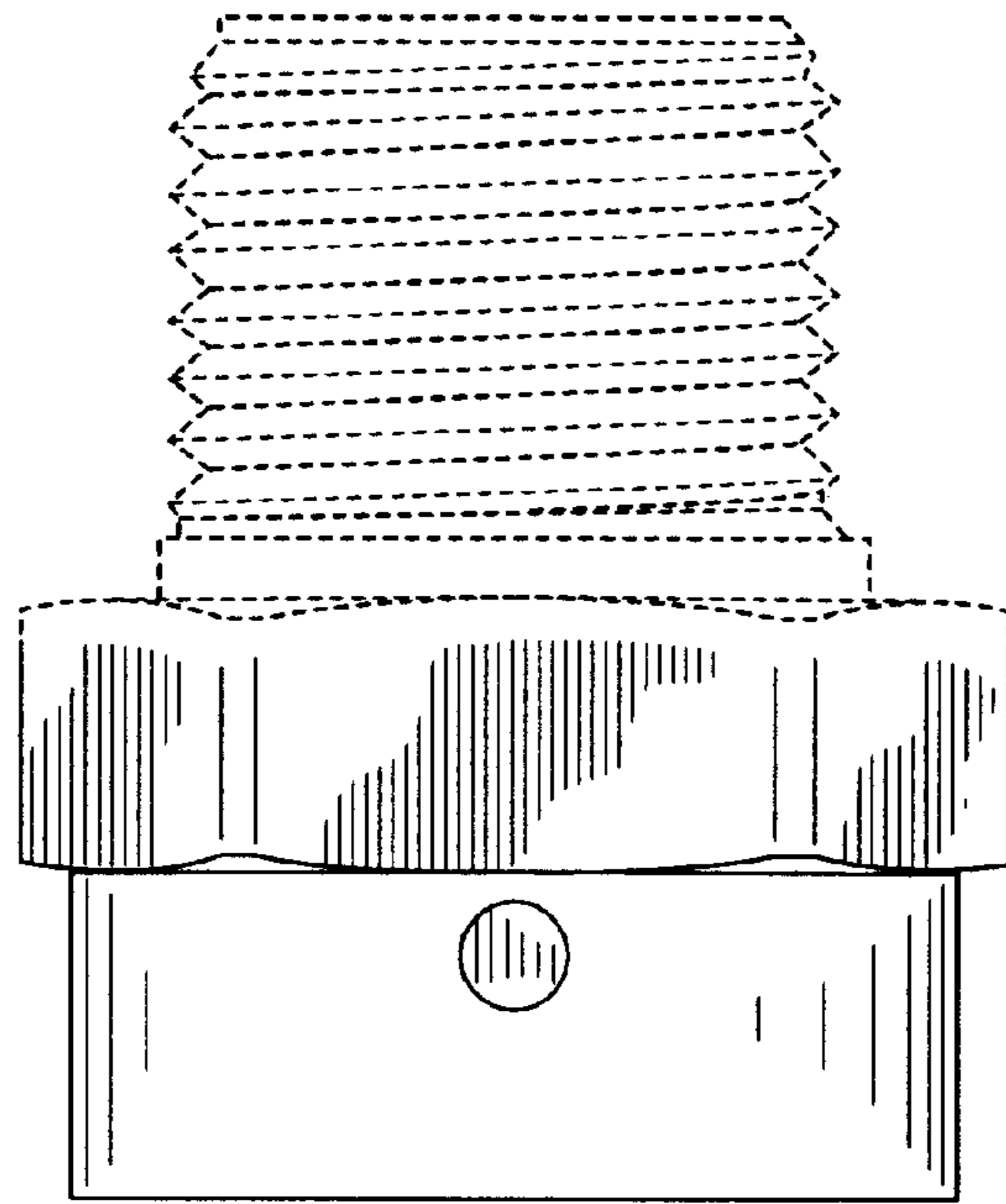


FIG. 5

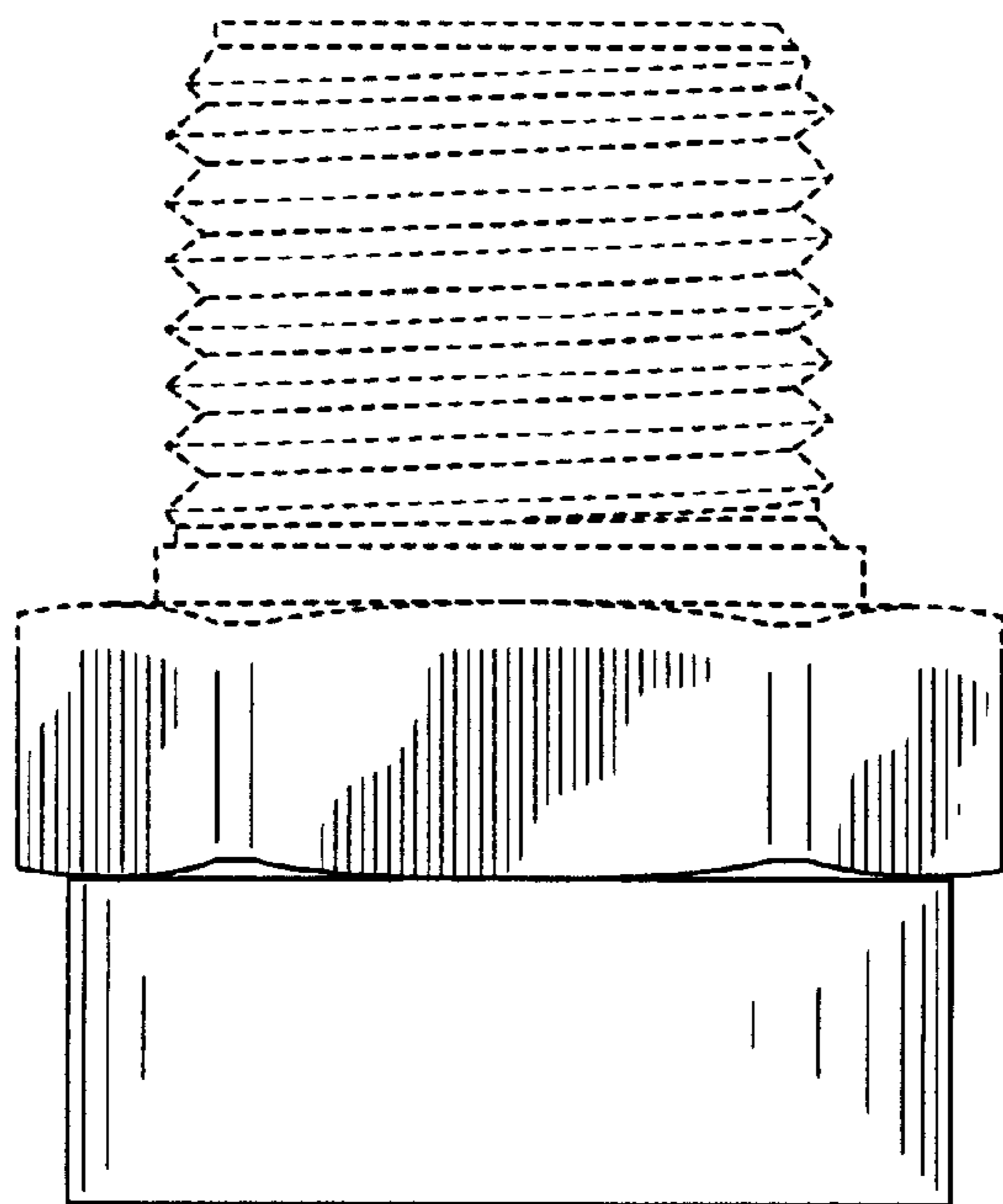


FIG. 6

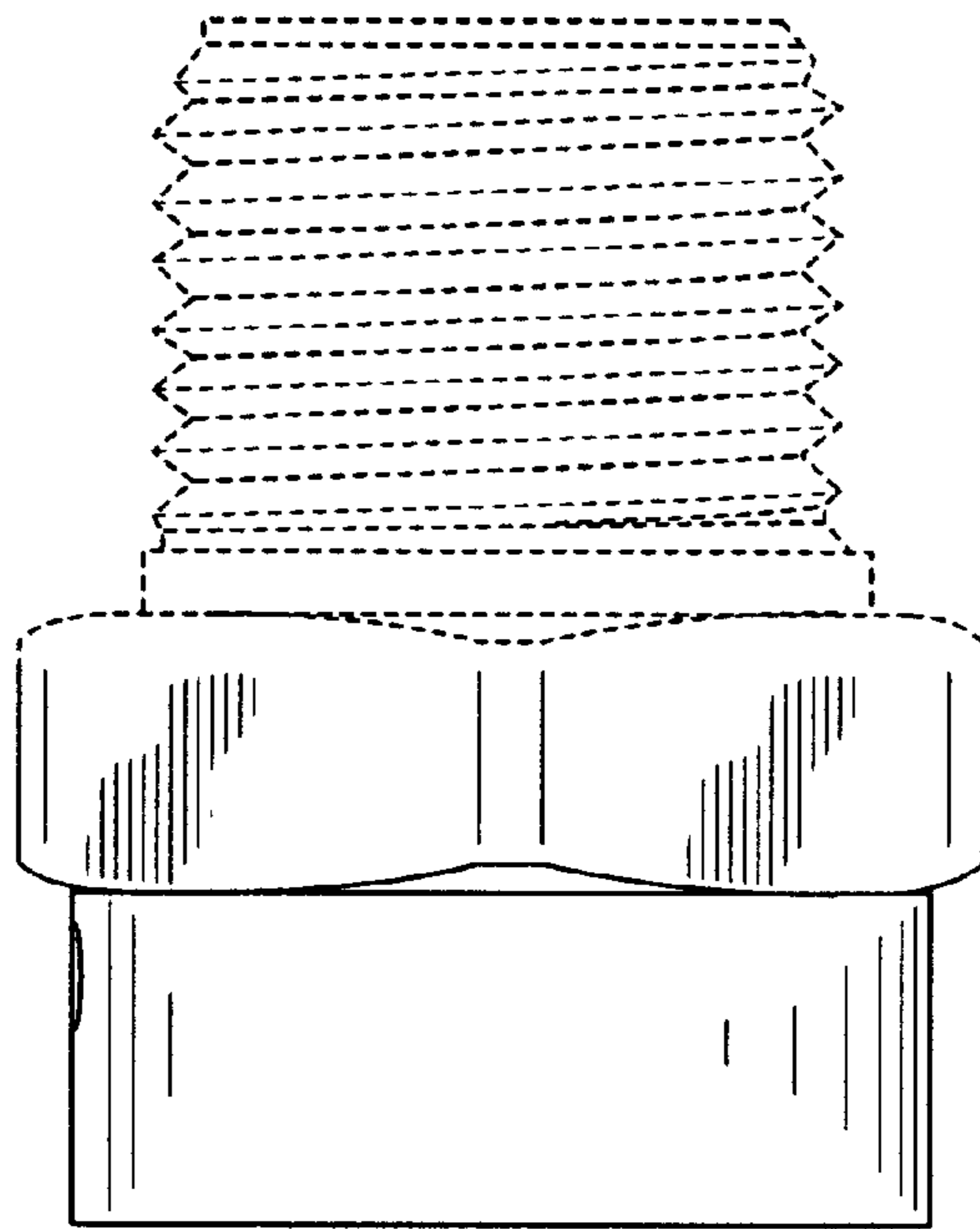


FIG. 7

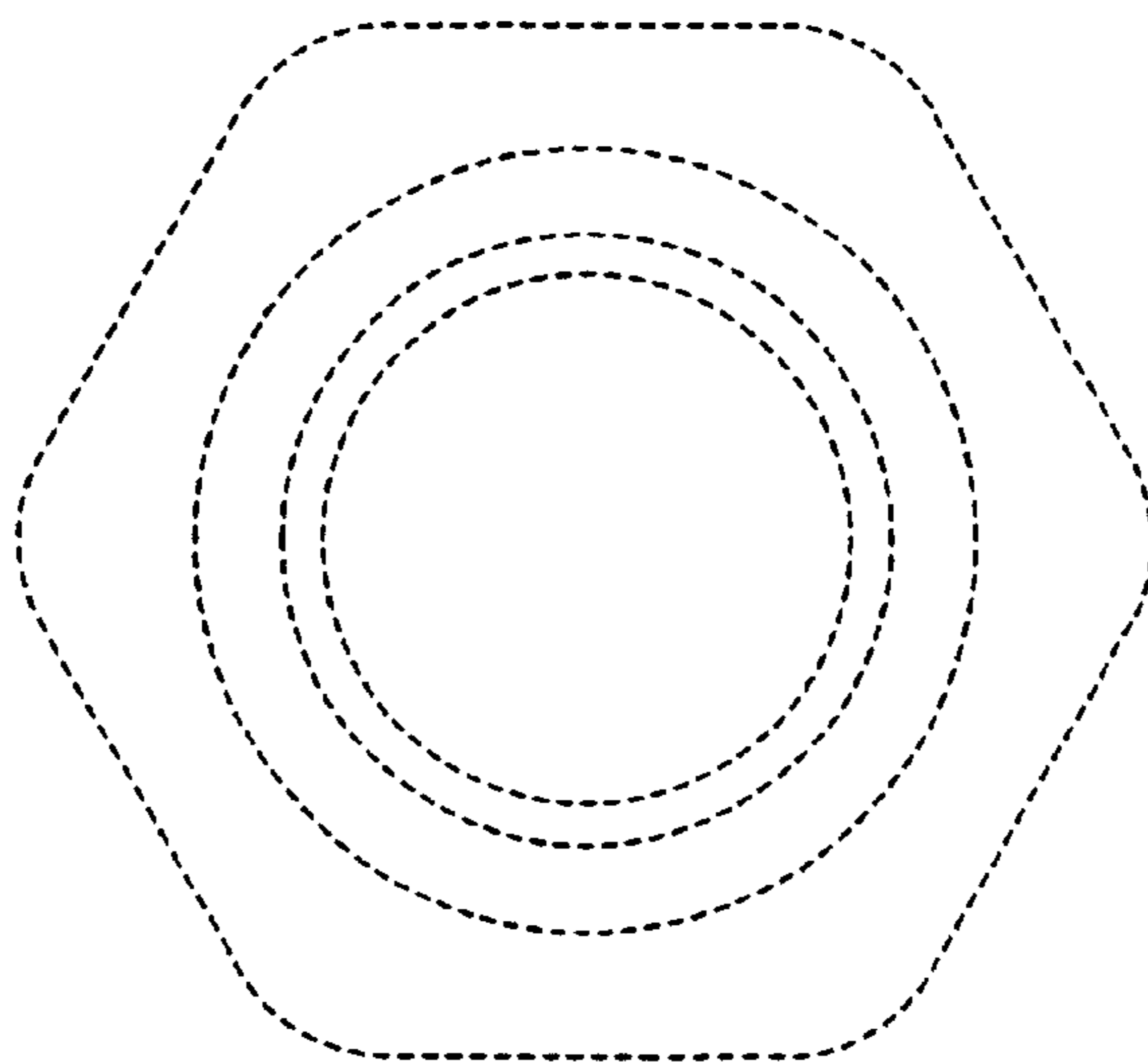


FIG. 8

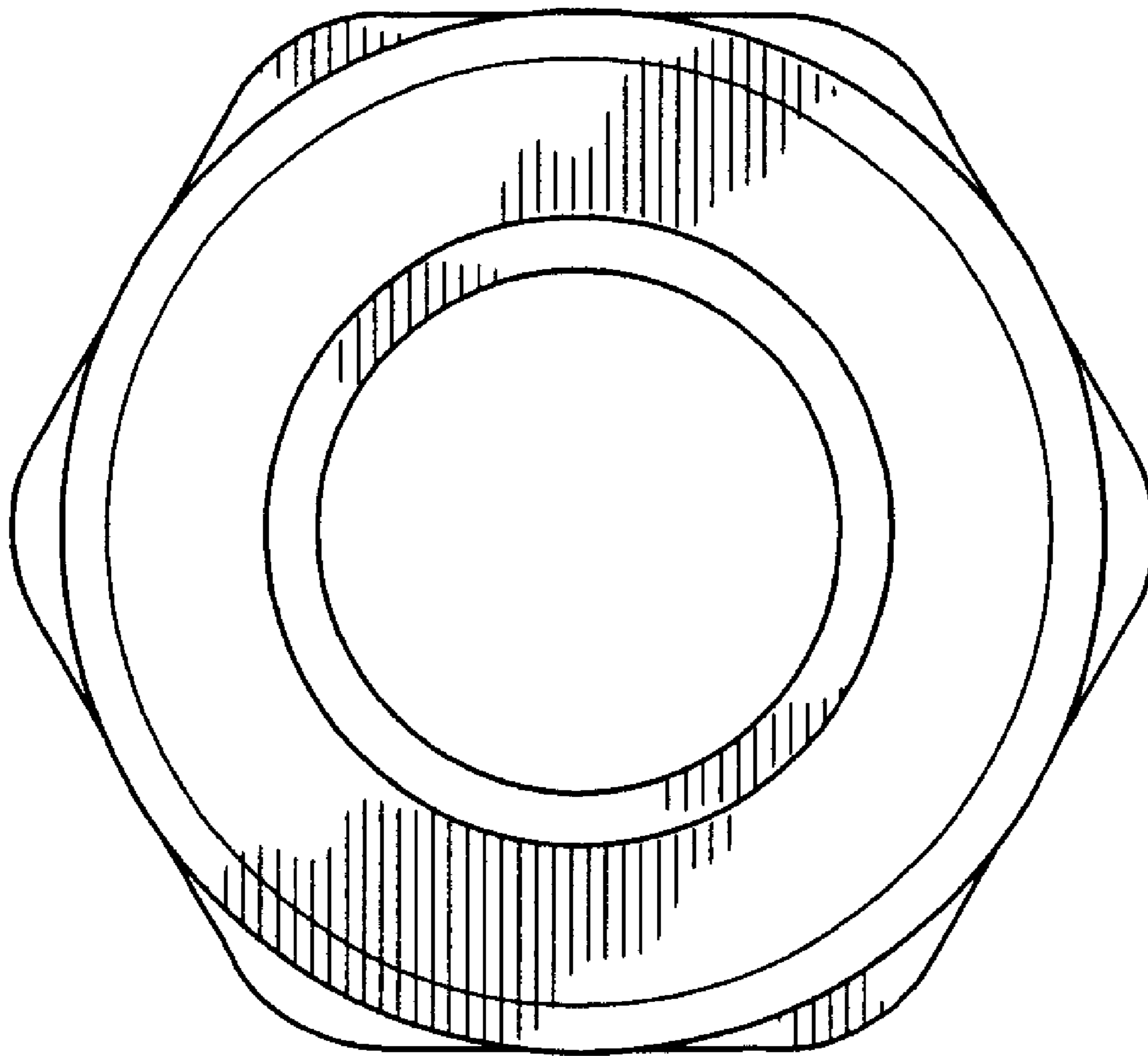


FIG. 9