



US00D533255S

(12) **United States Design Patent**
Miyazoe et al.

(10) **Patent No.: US D533,255 S**

(45) **Date of Patent: ** *Dec. 5, 2006**

(54) **ELECTROMAGNETIC VALVE**

(75) Inventors: **Shinji Miyazoe**, Ibaraki (JP);
Katsuyuki Senba, Ibaraki (JP)

(73) Assignee: **SMC Corporation**, Tokyo (JP)

(*) Notice: This patent is subject to a terminal disclaimer.

(**) Term: **14 Years**

(21) Appl. No.: **29/214,696**

(22) Filed: **Oct. 8, 2004**

(30) **Foreign Application Priority Data**

Apr. 9, 2004 (JP) 2004-011005

(51) **LOC (8) Cl.** **23-01**

(52) **U.S. Cl.** **D23/233**

(58) **Field of Classification Search** D23/233-249;
D15/7, 199; 137/554, 557, 560, 882, 884,
137/269, 271, 343, 625.64; 251/596.13, 596.16,
251/331, 219, 15, 130, 129.04; 4/304
See application file for complete search history.

(56) **References Cited**

U.S. PATENT DOCUMENTS

D338,258 S * 8/1993 Tamaki D23/248
D414,246 S * 9/1999 Hayashi et al. D23/233
D415,255 S * 10/1999 Hayashi et al. D23/233
6,164,335 A * 12/2000 Hayashi et al. 137/884
D437,030 S * 1/2001 Sato et al. D23/233
6,520,202 B1 * 2/2003 Miyazoe et al. 137/554

D479,308 S * 9/2003 Hayashi et al. D23/233
6,796,329 B1 * 9/2004 Swenson, Jr. 137/625.64
7,073,825 B1 * 7/2006 Takada et al. 285/124.1
2005/0150561 A1 * 7/2005 Flynn et al. 137/884
2005/0161098 A1 * 7/2005 Ott et al. 137/625.65

OTHER PUBLICATIONS

U.S. Appl. No. 29/214,695, filed Oct. 8, 2004, Miyazoe, et al.

U.S. Appl. No. 29/214,696, filed Oct. 8, 2004, Miyazoe, et al.

* cited by examiner

Primary Examiner—Ian Simmons

Assistant Examiner—Maurice Stevens

(74) *Attorney, Agent, or Firm*—Oblon, Spivak, McClelland, Maier & Neustadt, P.C.

(57) **CLAIM**

The ornamental design for an electromagnetic valve, as shown and described.

DESCRIPTION

FIG. 1 is a top and right rear perspective view of an electromagnetic valve, showing our design; FIG. 2 is a top and left front perspective view thereof; FIG. 3 is a front elevational view thereof; FIG. 4 is a rear elevational view thereof; FIG. 5 is a top plan view thereof; FIG. 6 is a bottom plan view thereof; FIG. 7 is a left side elevational view thereof; and, FIG. 8 is a right side elevational view thereof.

1 Claim, 3 Drawing Sheets

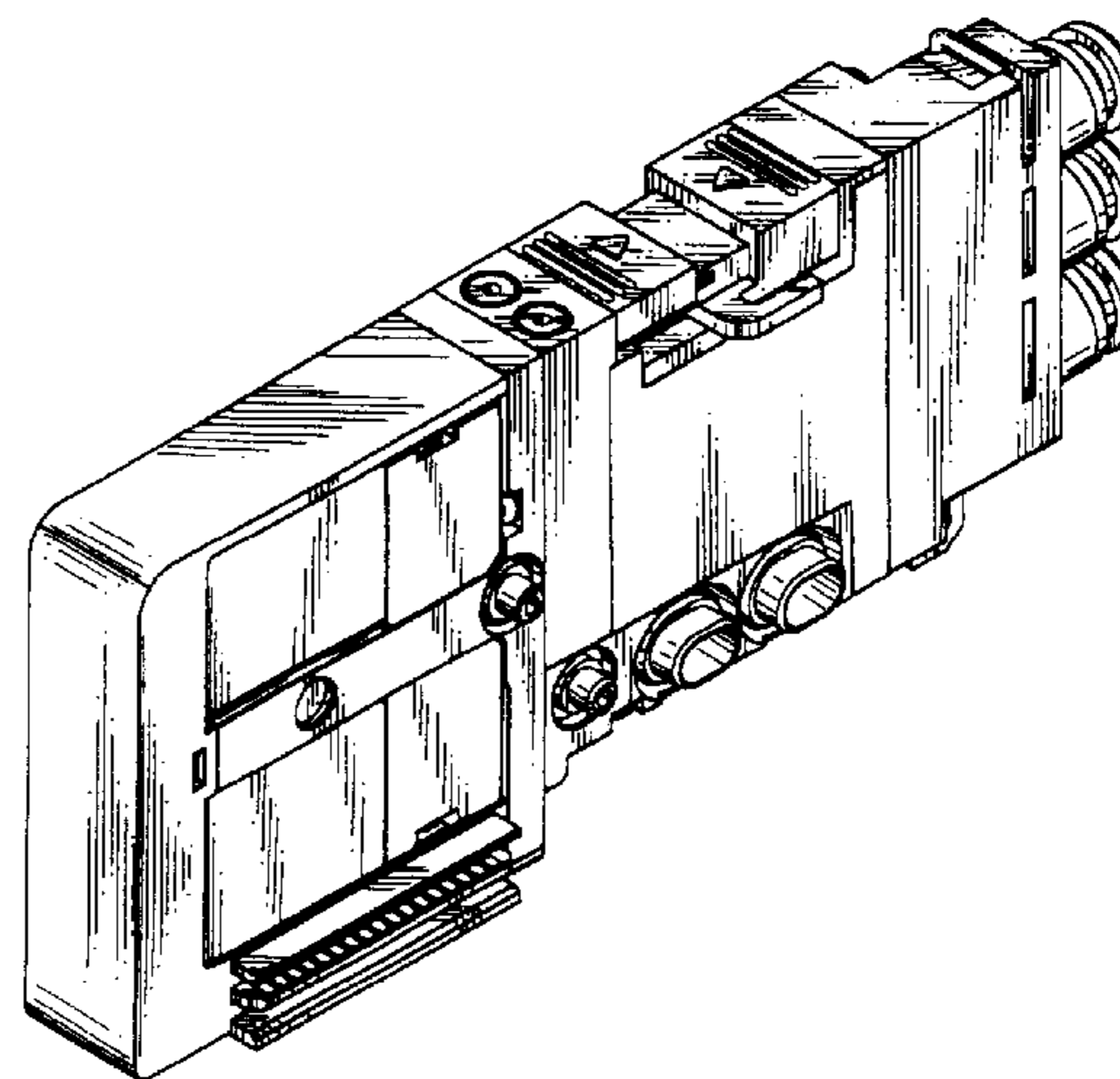
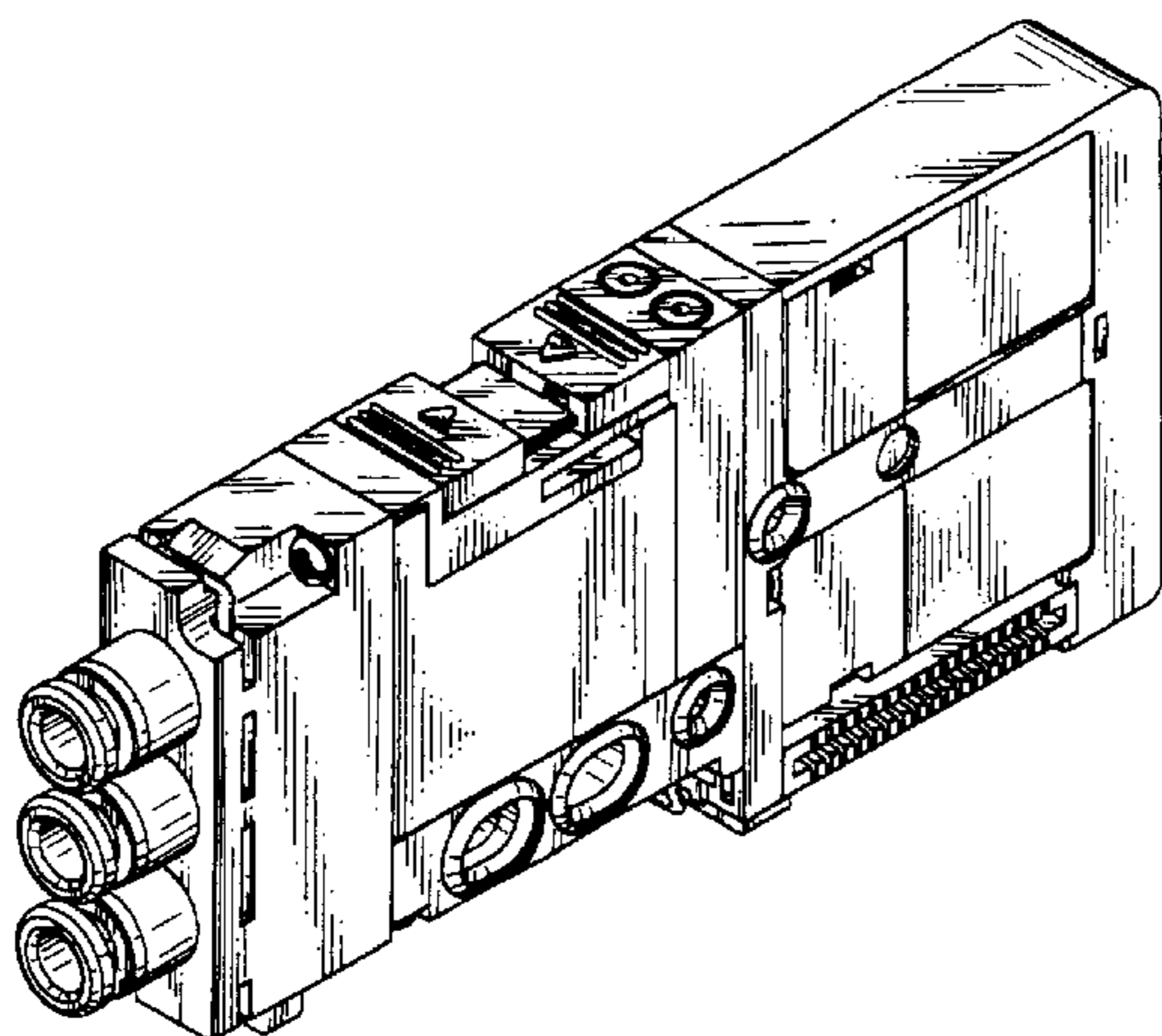


Fig. 1

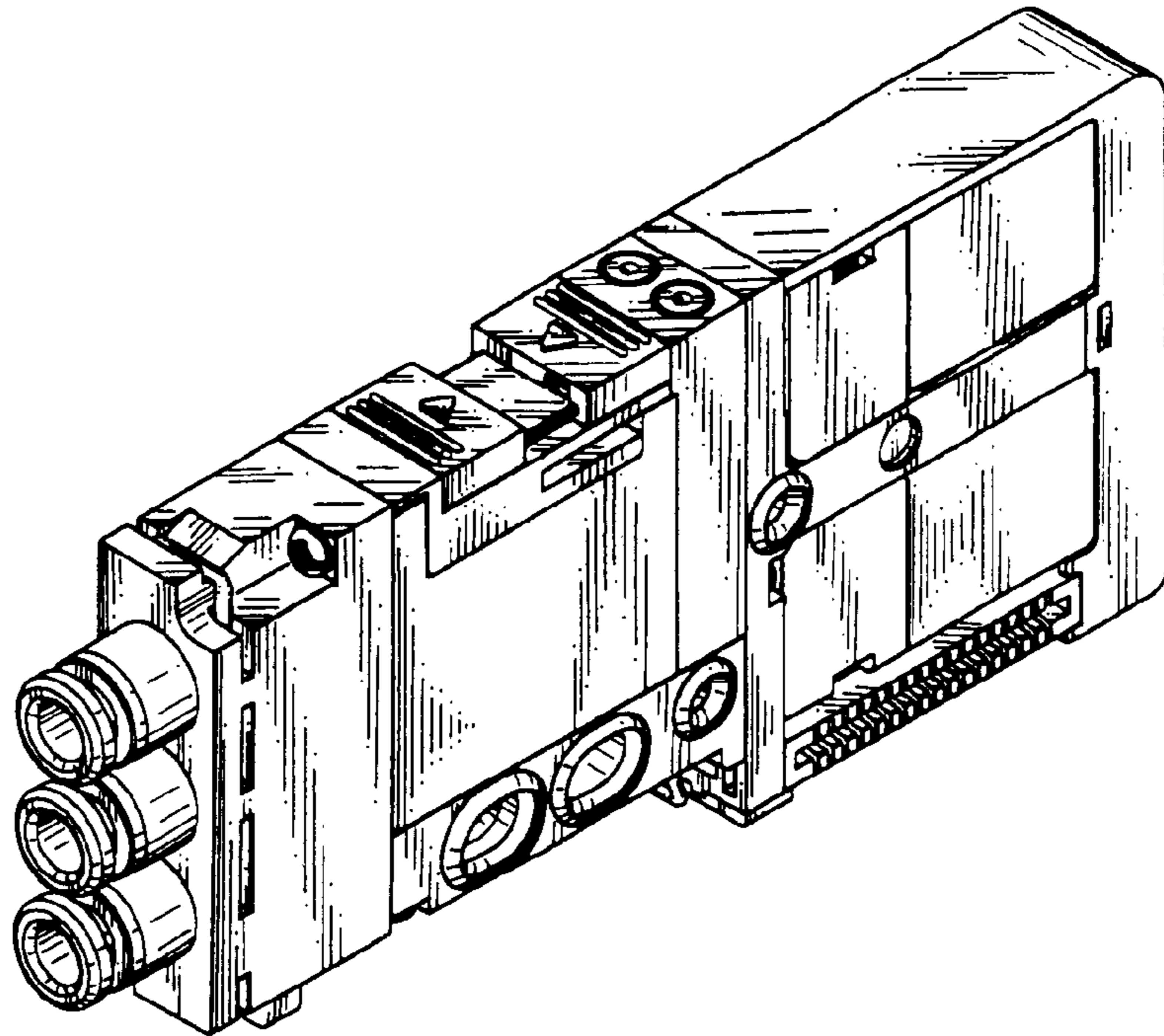
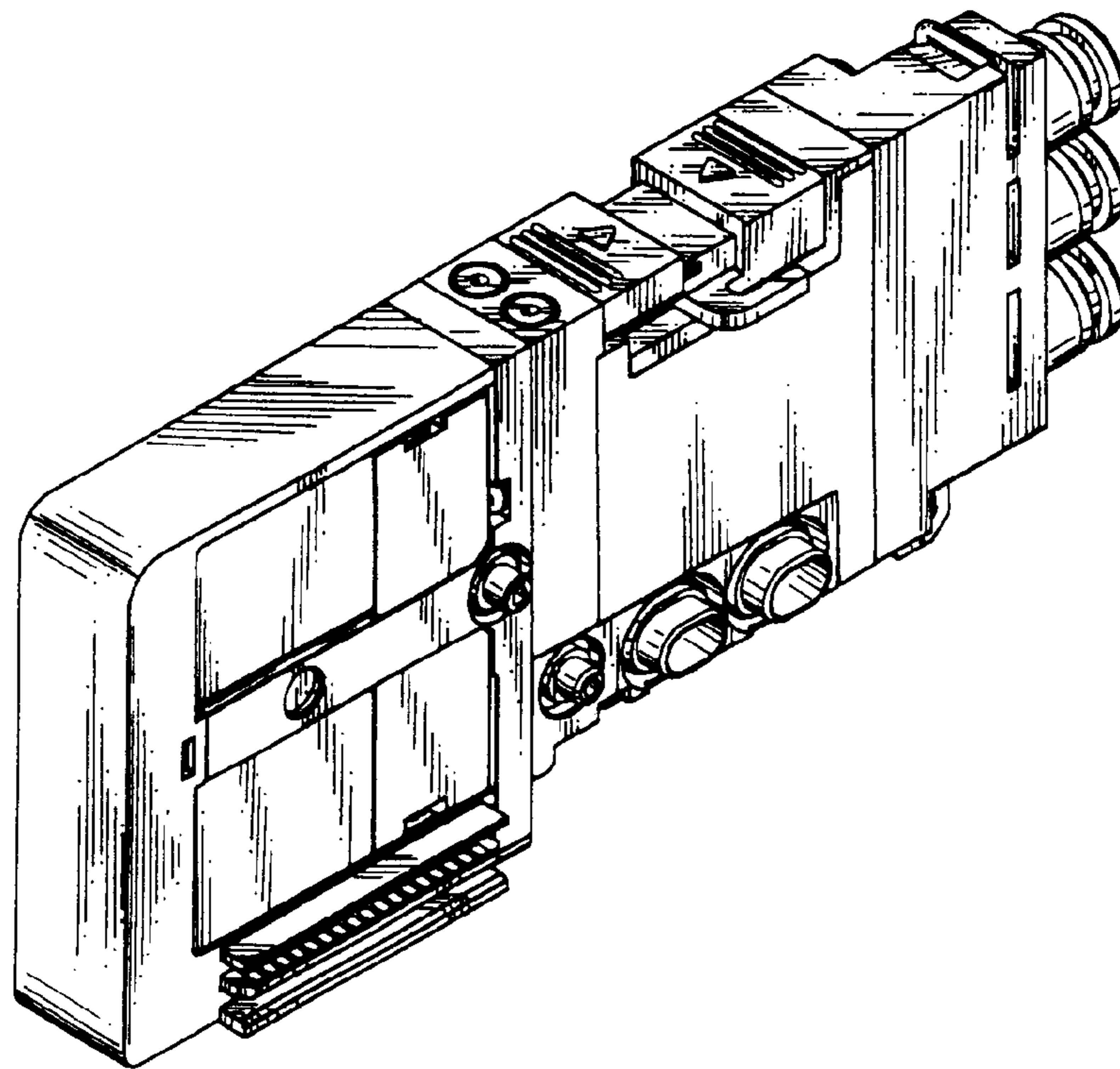


Fig. 2



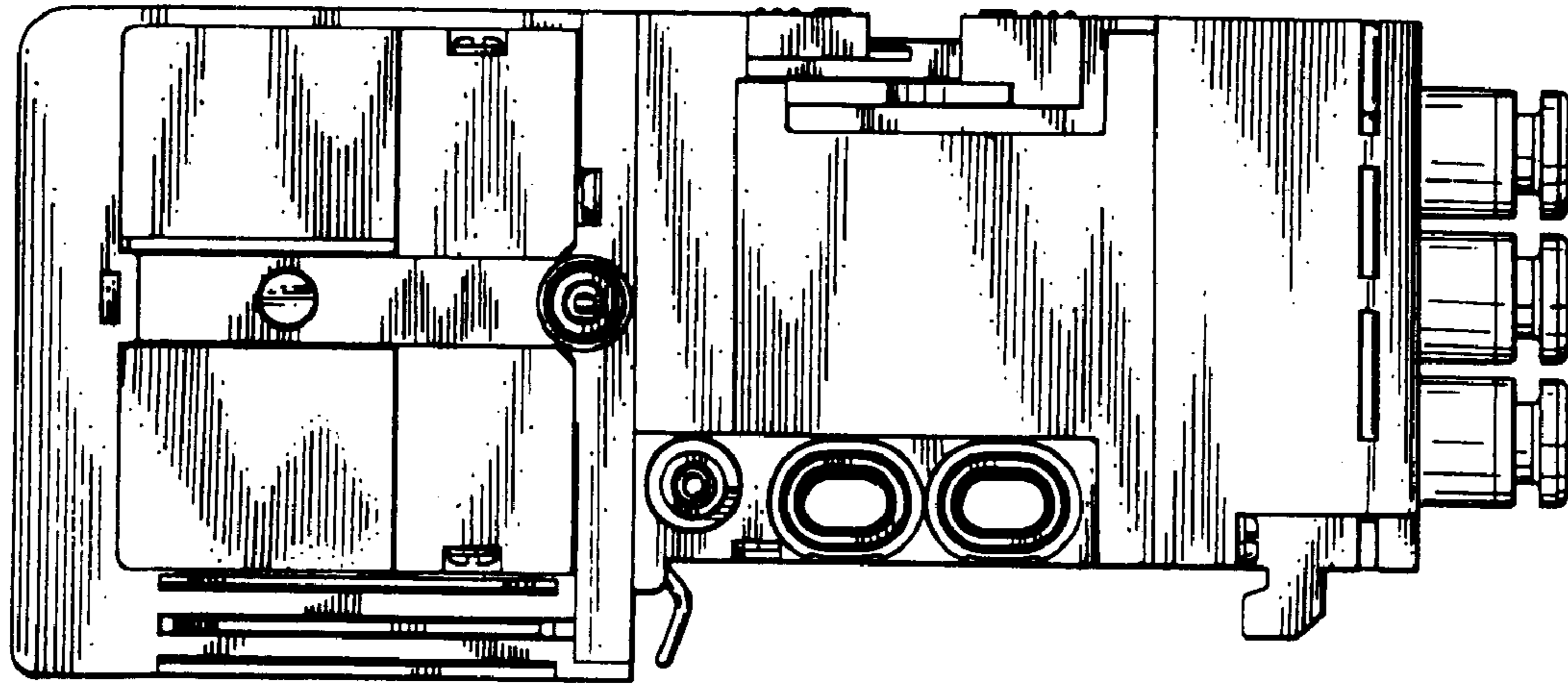


Fig. 3

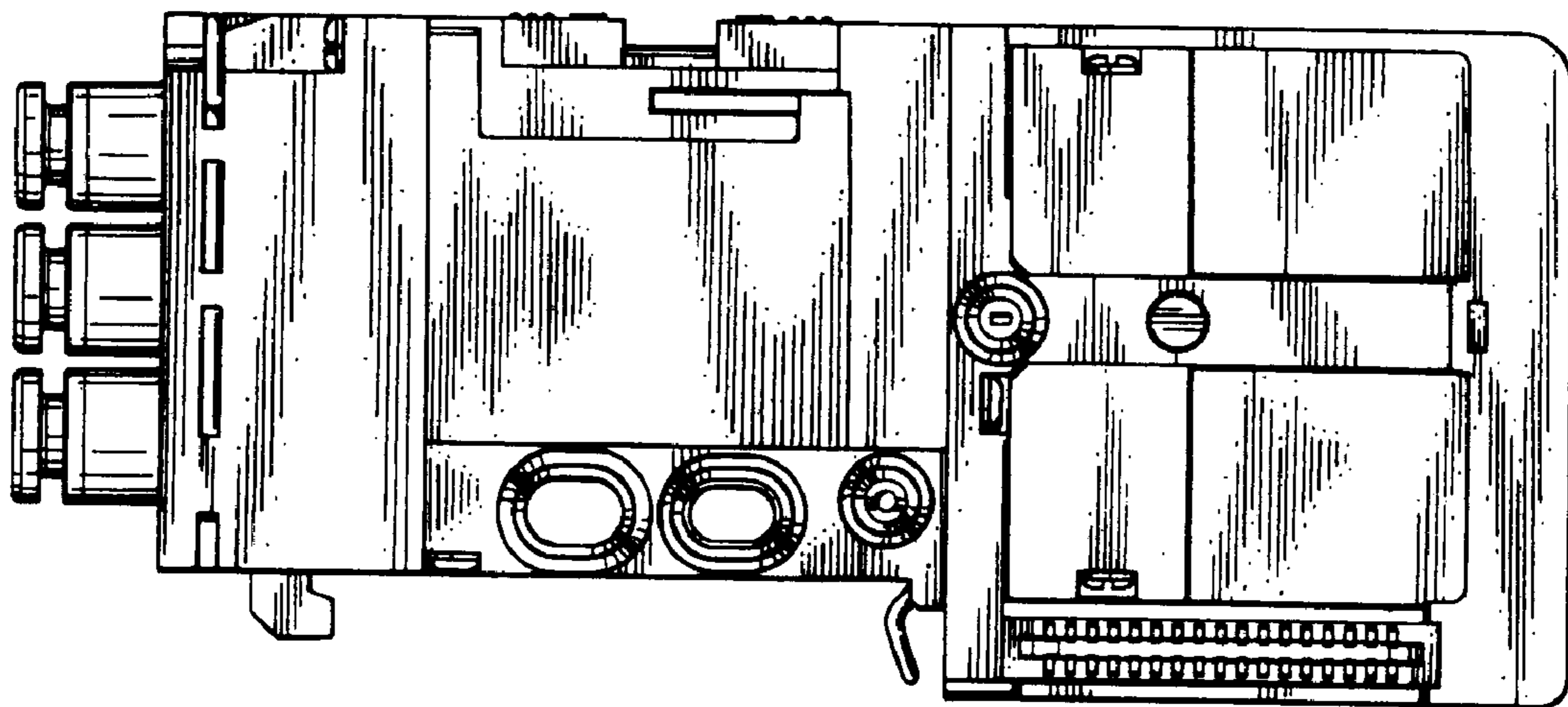


Fig. 4

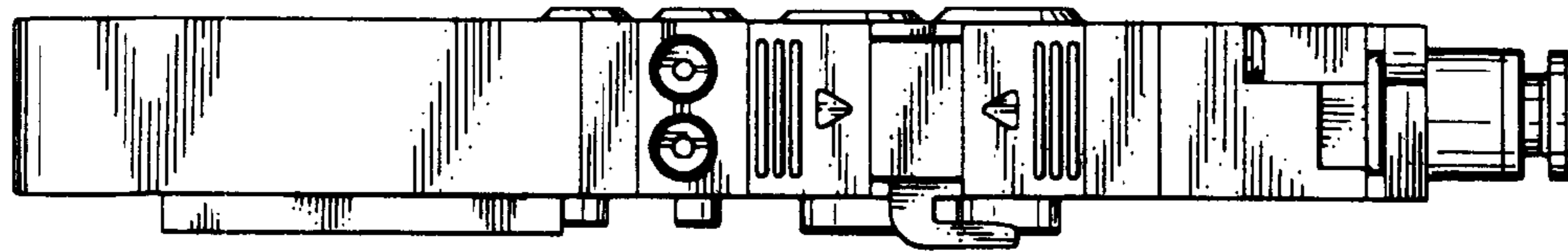


Fig. 5

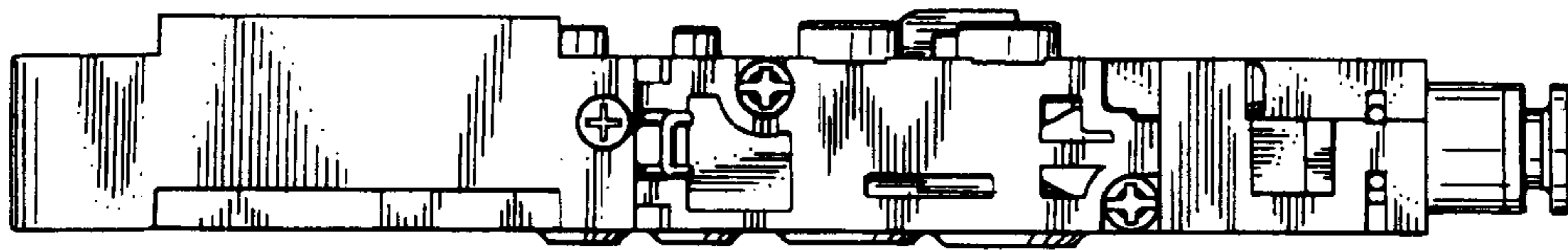


Fig. 6

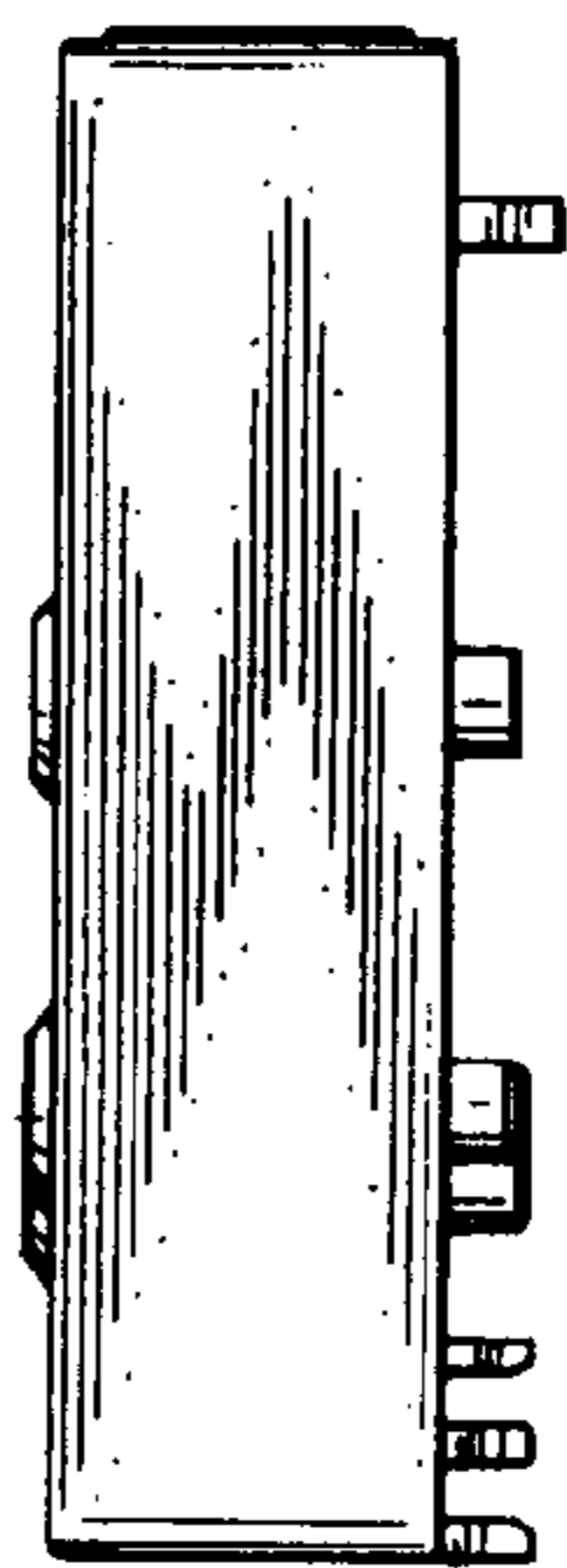


Fig. 7

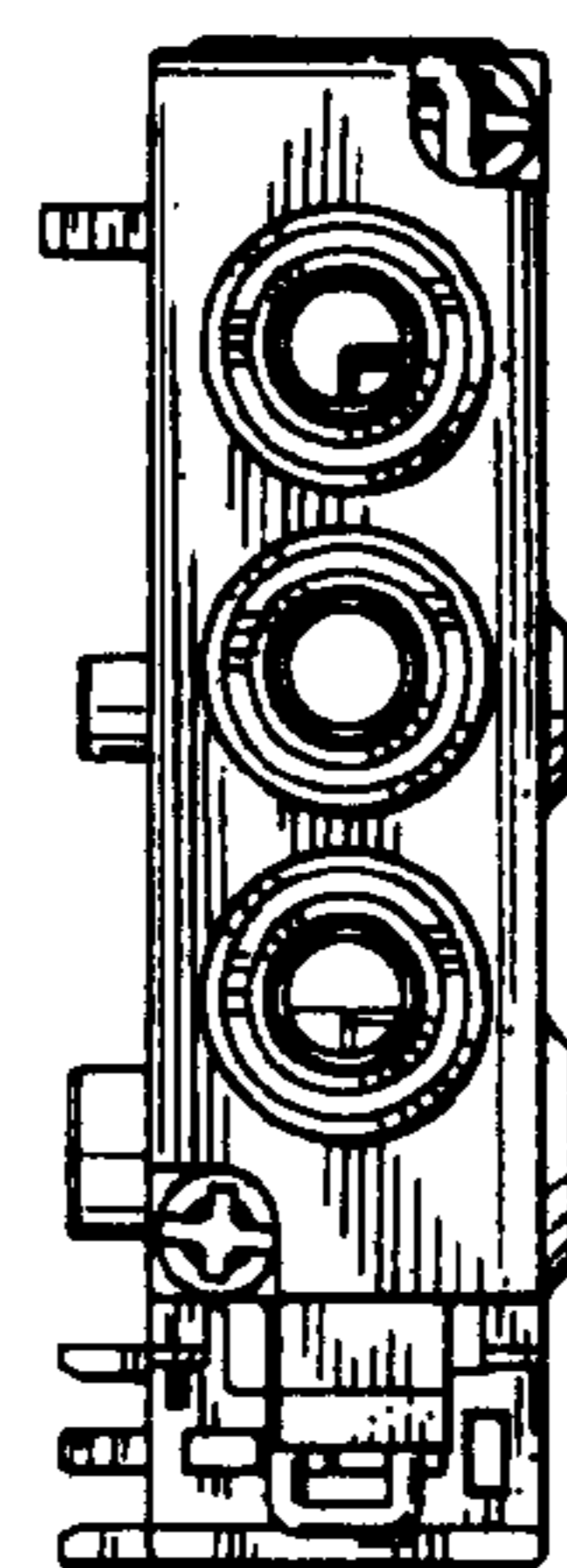


Fig. 8