



US00D533242S

(12) **United States Design Patent**
Tang

(10) **Patent No.:** **US D533,242 S**

(45) **Date of Patent:** **** Dec. 5, 2006**

(54) **PUTTER HEAD**

D427,262 S * 6/2000 Frazetta D21/743
D443,905 S * 6/2001 Nicolette et al. D21/743

(75) Inventor: **Larry G. Tang**, Carlsbad, CA (US)

* cited by examiner

(73) Assignee: **Callaway Golf Company**, Carlsbad, CA (US)

Primary Examiner—Mitchell Siegel

(74) *Attorney, Agent, or Firm*—Michael A. Catania; Elaine H. Lo

(**) Term: **14 Years**

(57) **CLAIM**

(21) Appl. No.: **29/243,119**

The ornamental design for a putter head, as shown and described.

(22) Filed: **Nov. 18, 2005**

(51) **LOC (8) Cl.** **21-02**

(52) **U.S. Cl.** **D21/736**

(58) **Field of Classification Search** D21/736-746;
473/324-331, 340, 341, 251-256

See application file for complete search history.

DESCRIPTION

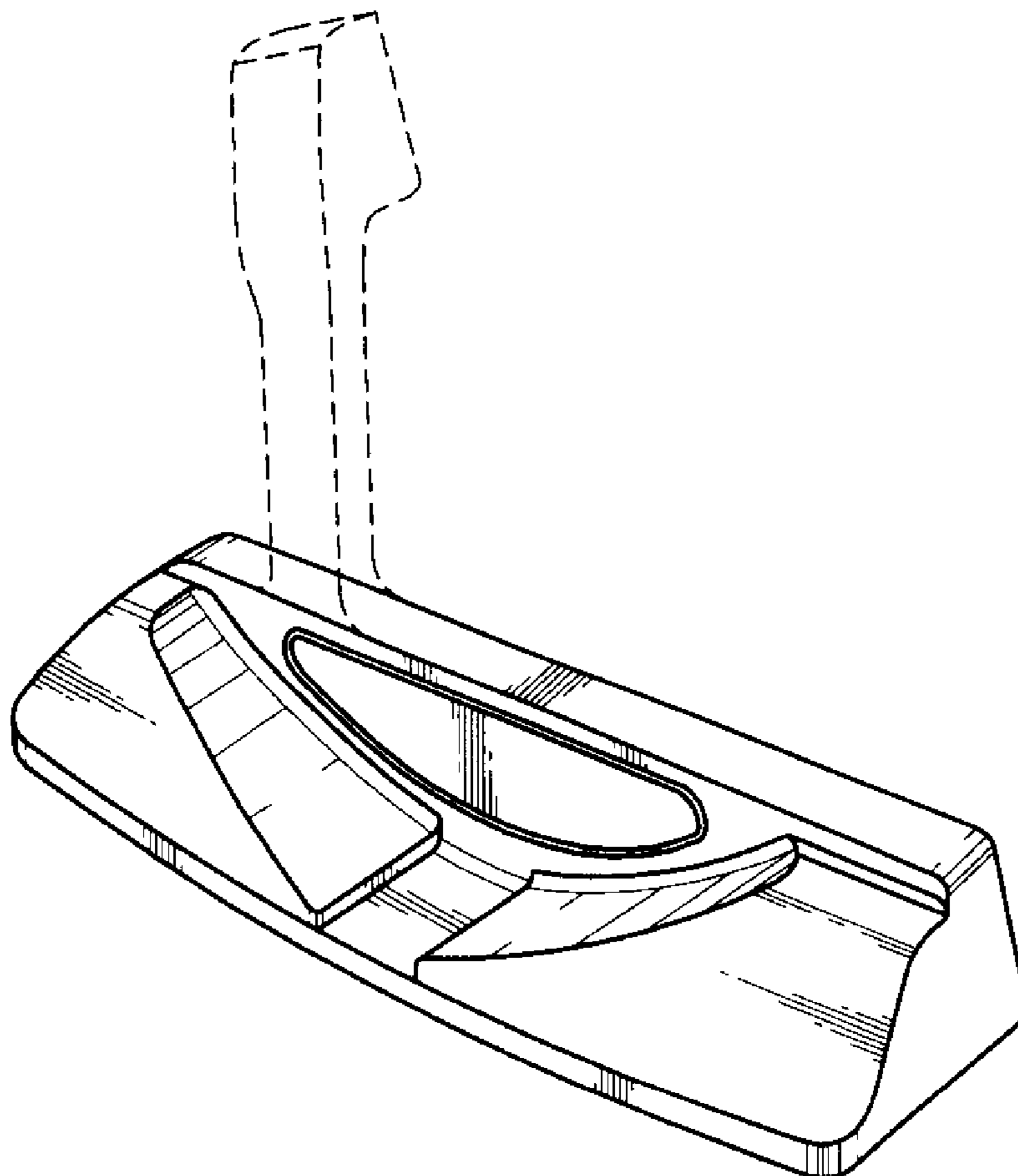
FIG. 1 is a perspective view of the putter head;
FIG. 2 is a front view of the putter head;
FIG. 3 is a back view of the putter head;
FIG. 4 is a top plan view of the putter head;
FIG. 5 is a bottom plan view of the putter head;
FIG. 6 is a toe view of the putter head; and,
FIG. 7 is a heel side view of the putter head.
The broken line showing of is for illustrative purposes only and forms no part of the claimed design.

(56) **References Cited**

U.S. PATENT DOCUMENTS

D213,509 S * 3/1969 Solheim D21/743
D231,375 S * 4/1974 Solheim D21/742
D396,080 S * 7/1998 Bottema D21/736

1 Claim, 2 Drawing Sheets



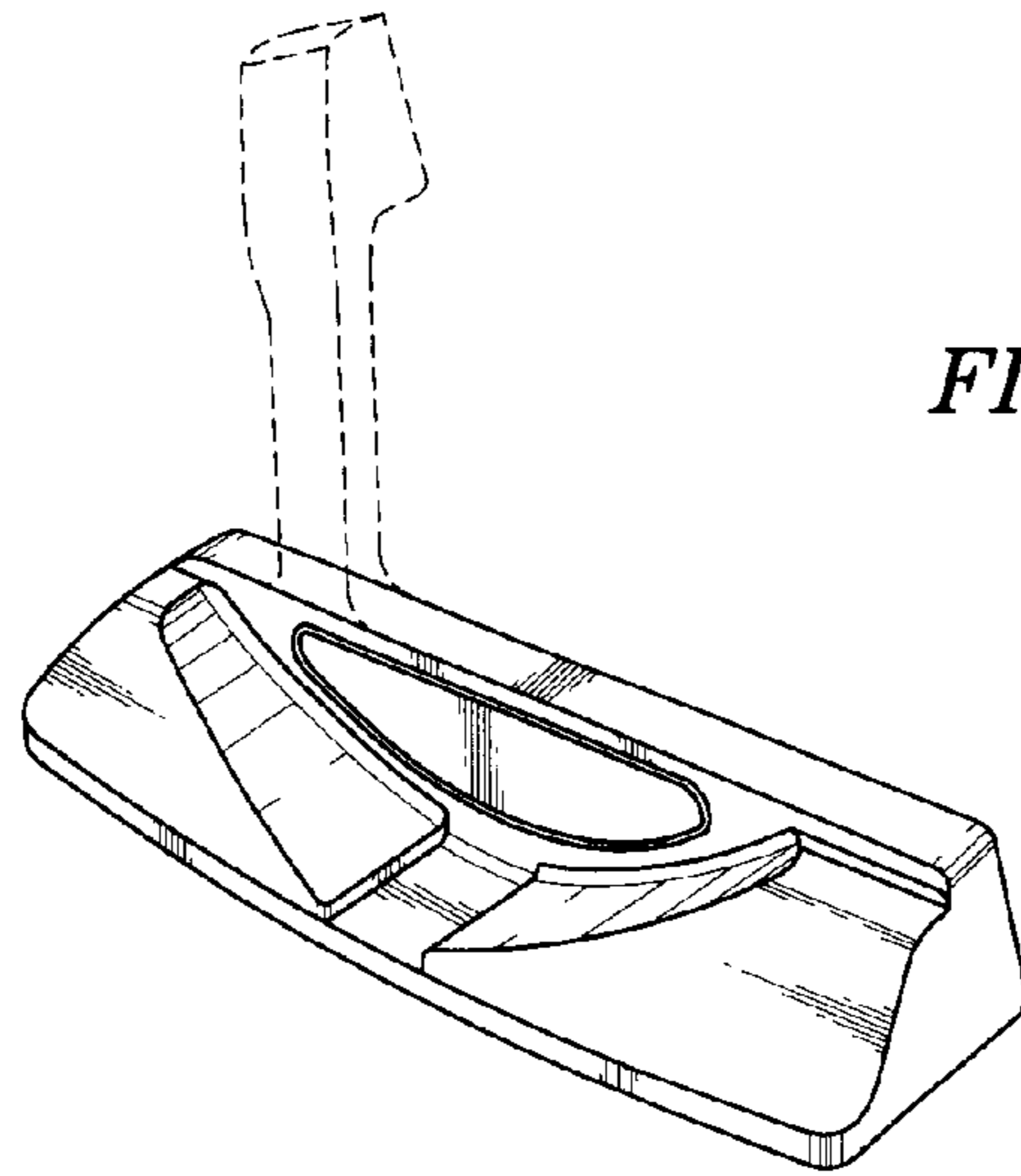


FIG. 1

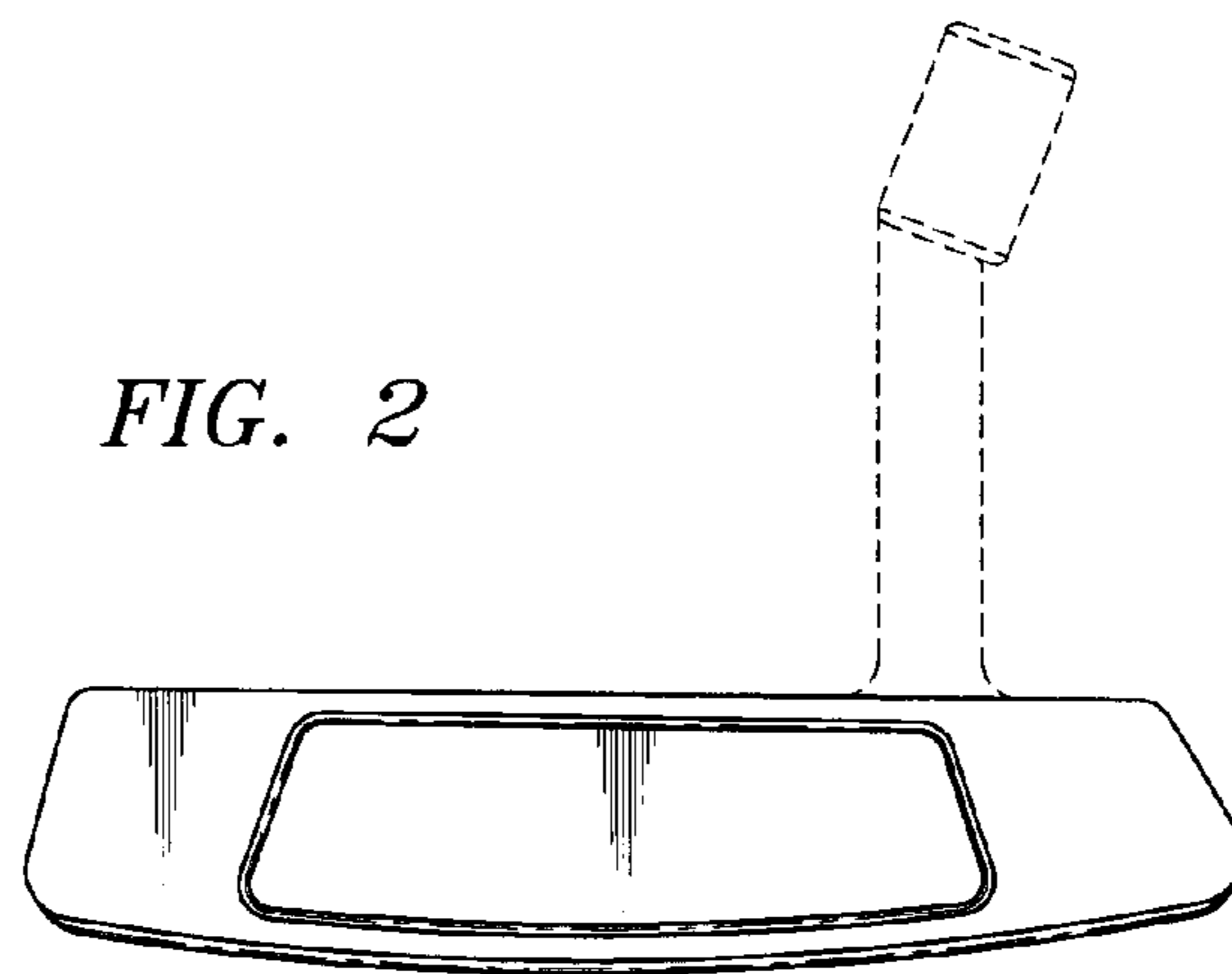


FIG. 2

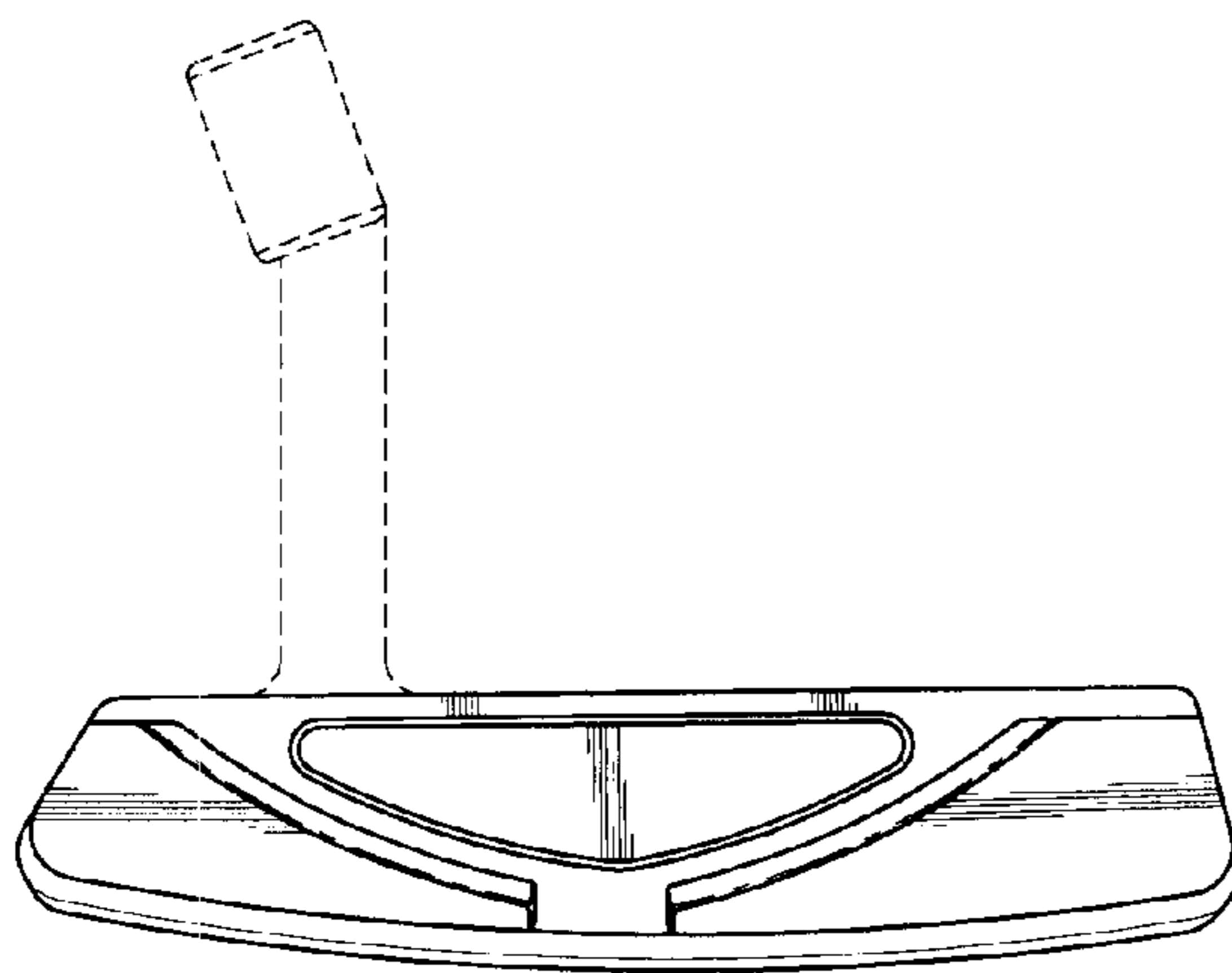


FIG. 3

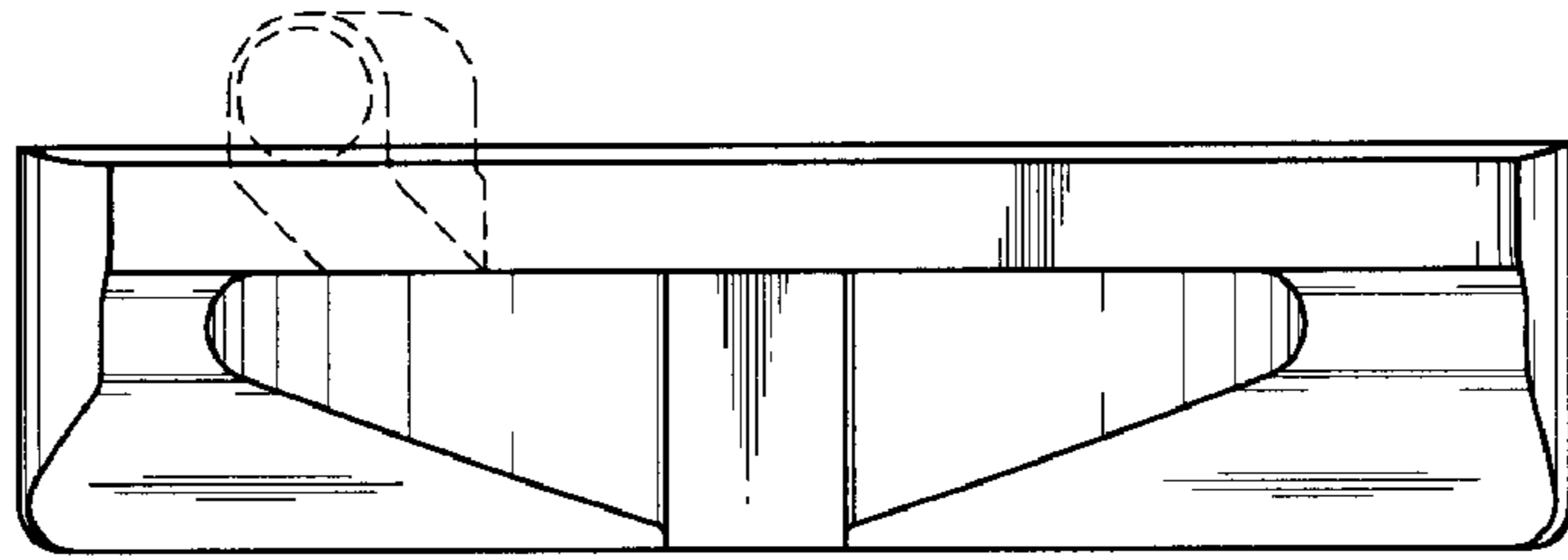


FIG. 4

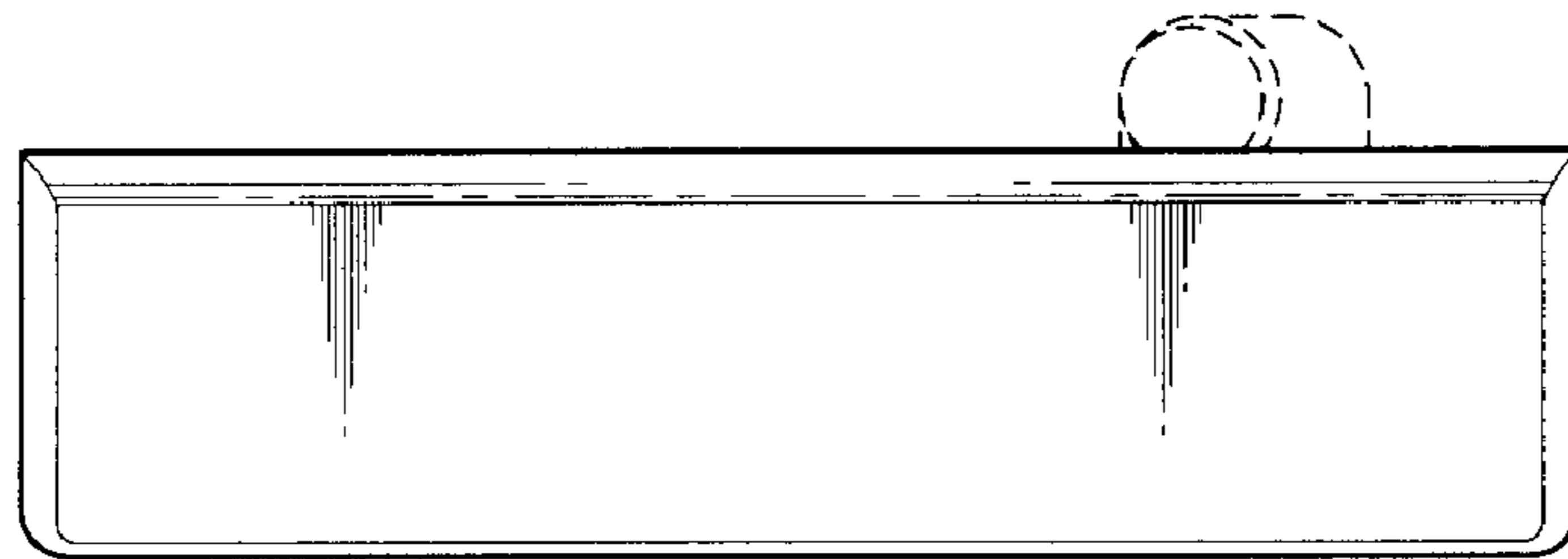


FIG. 5

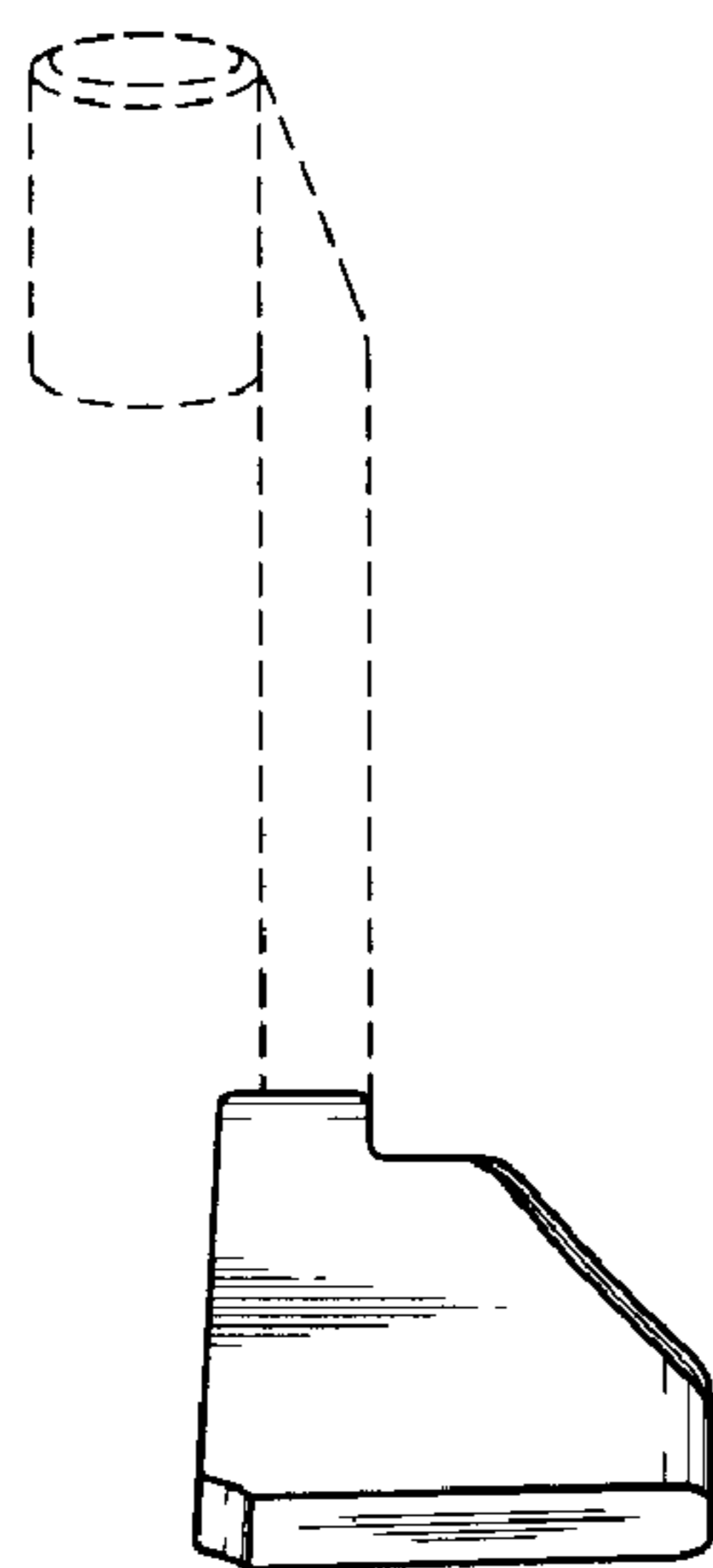


FIG. 6

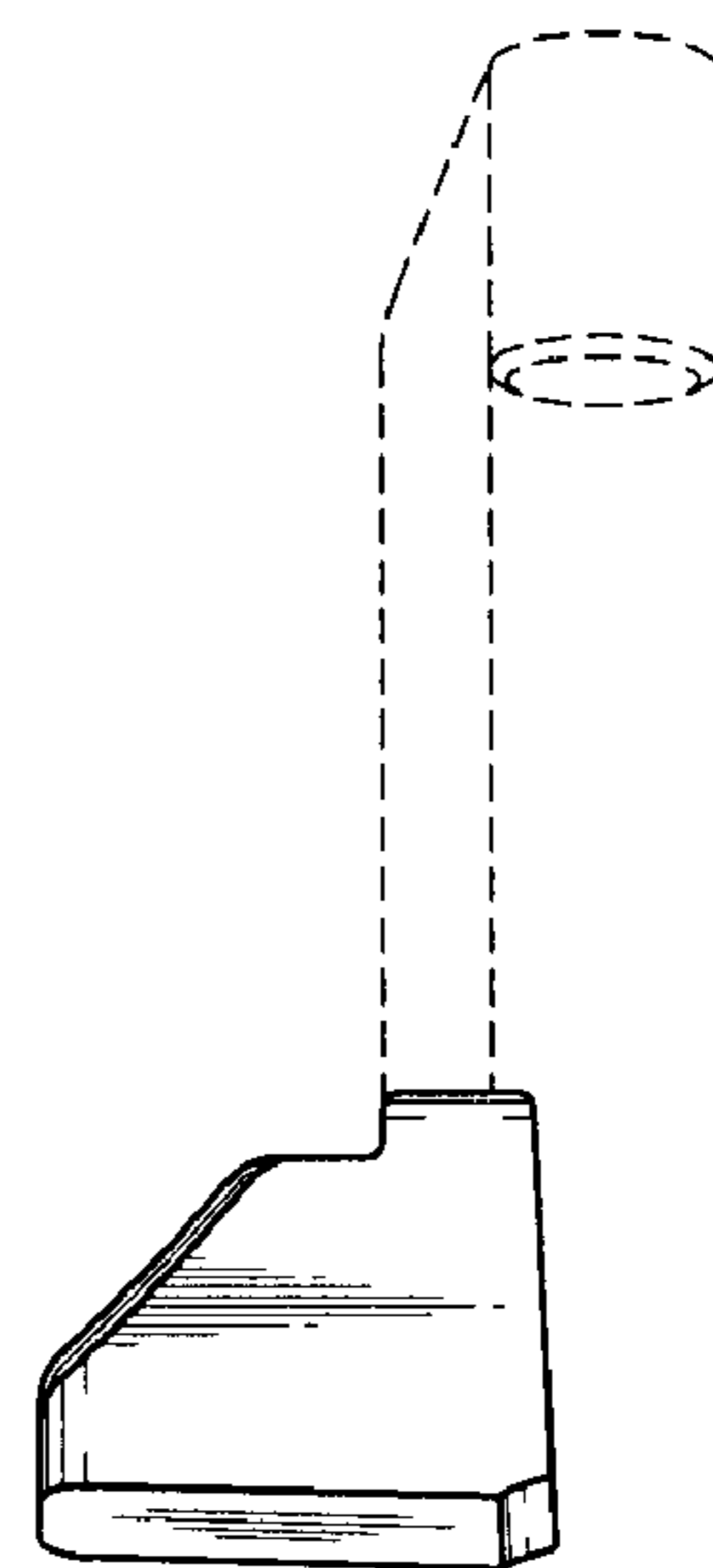


FIG. 7