



US00D533240S

(12) **United States Design Patent**  
**Sovay**

(10) **Patent No.:** **US D533,240 S**

(45) **Date of Patent:** **\*\* Dec. 5, 2006**

(54) **GOLF TRIANGLE**

(75) **Inventor:** **Thomas E. Sovay**, 9202 45th Ave., W., Mukilteo, WA (US) 98275

(73) **Assignee:** **Thomas E. Sovay**, Mukilteo, WA (US)

(\*\*) **Term:** **14 Years**

(21) **Appl. No.:** **29/242,475**

(22) **Filed:** **Nov. 10, 2005**

(51) **LOC (8) Cl.** ..... **21-02**

(52) **U.S. Cl.** ..... **D21/717**

(58) **Field of Classification Search** ..... D21/304,  
D21/715-721, 789-796; D6/495, 499, 509,  
D6/449, 455, 457, 458, 469; D11/130, 164;  
473/387-403, 405; 273/336, 338

See application file for complete search history.

(56) **References Cited**

**U.S. PATENT DOCUMENTS**

- 1,194,860 A \* 8/1916 Merrill ..... 473/391
- 1,623,119 A \* 4/1927 Kearney ..... 473/391
- 1,692,233 A \* 11/1928 Van Patten ..... 473/390

- 1,779,995 A \* 10/1930 Trane ..... 473/398
- 1,933,159 A \* 10/1933 Butler ..... 273/400
- 2,079,387 A \* 5/1937 Sickmiller ..... 473/398
- D191,521 S \* 10/1961 Baker ..... D21/790
- D239,123 S \* 3/1976 Reed ..... D21/717

\* cited by examiner

*Primary Examiner*—Catherine Tuttle

(74) *Attorney, Agent, or Firm*—Blakely, Sokokloff, Taylor & Zafman LLP

(57) **CLAIM**

The ornamental design for a golf triangle, as shown and described.

**DESCRIPTION**

FIG. 1 is a perspective view of the golf tee device showing my design;

FIG. 2 is a right side view thereof;

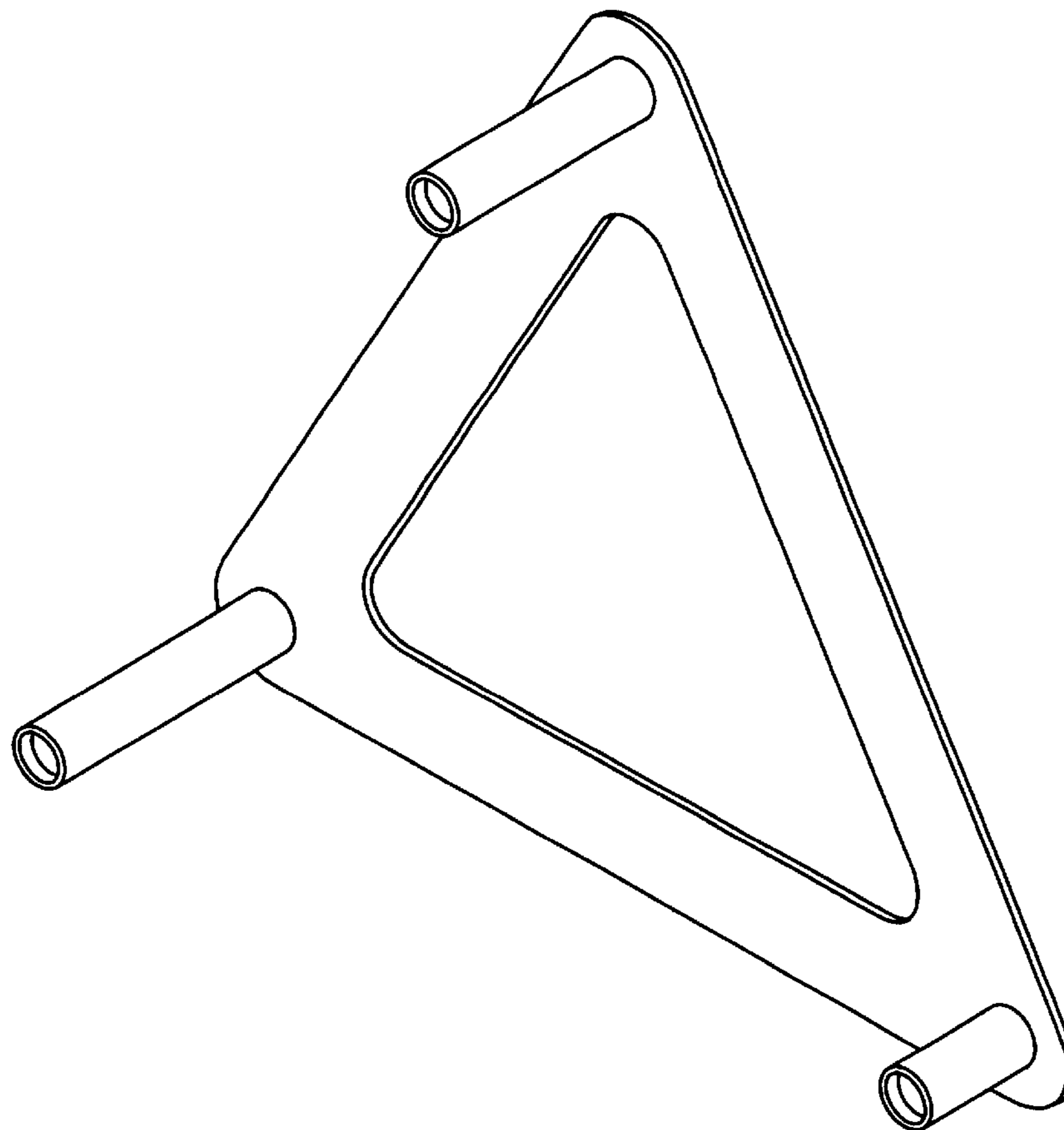
FIG. 3 is a left side view thereof;

FIG. 4 is a front view thereof;

FIG. 5 is a top view thereof; and,

FIG. 6 is a bottom view thereof.

**1 Claim, 6 Drawing Sheets**



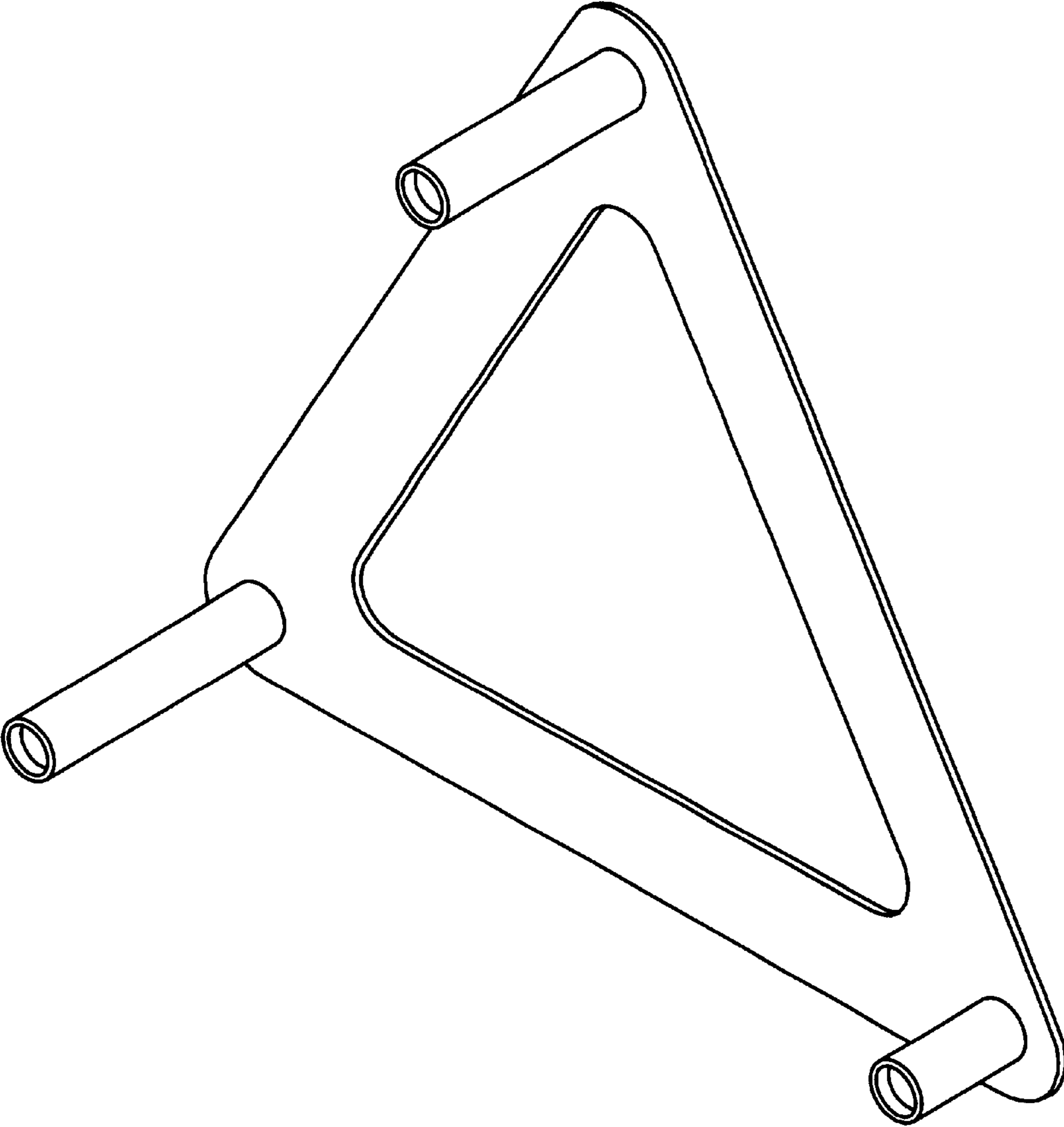


FIG. 1

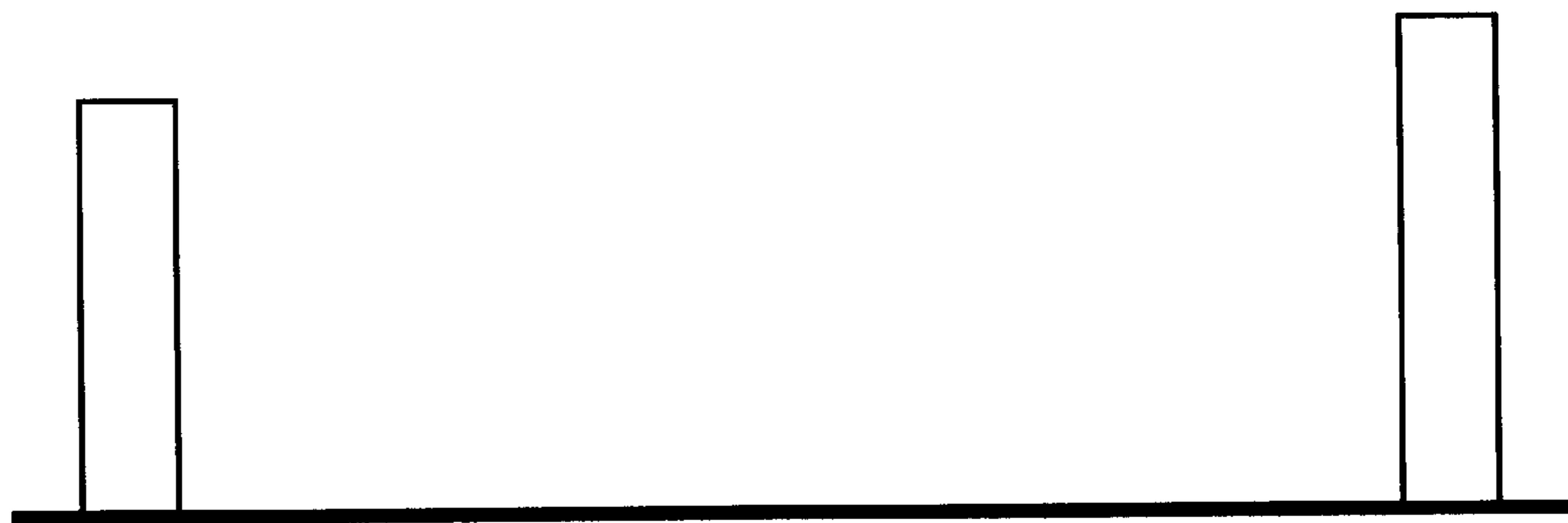


FIG. 2

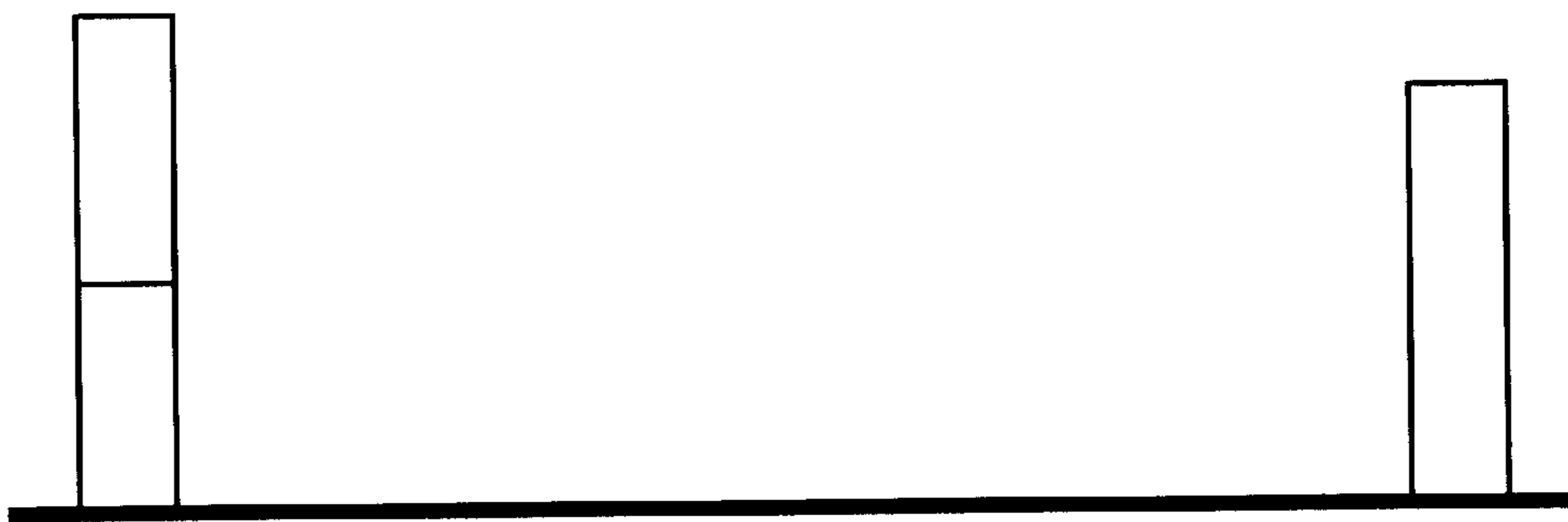


FIG. 3

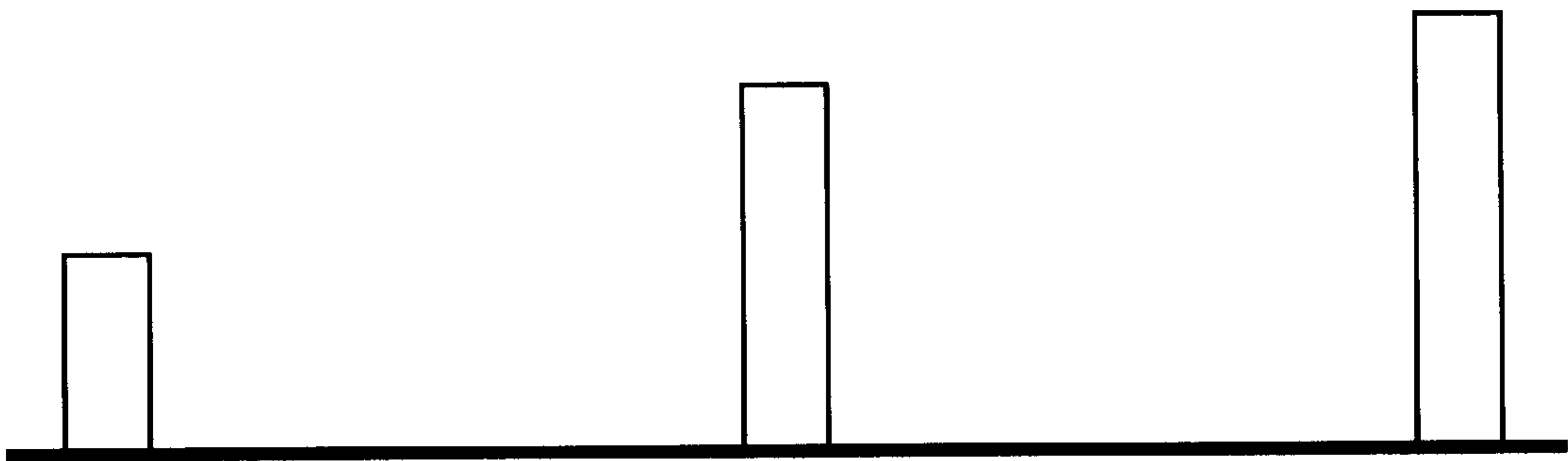


FIG. 4

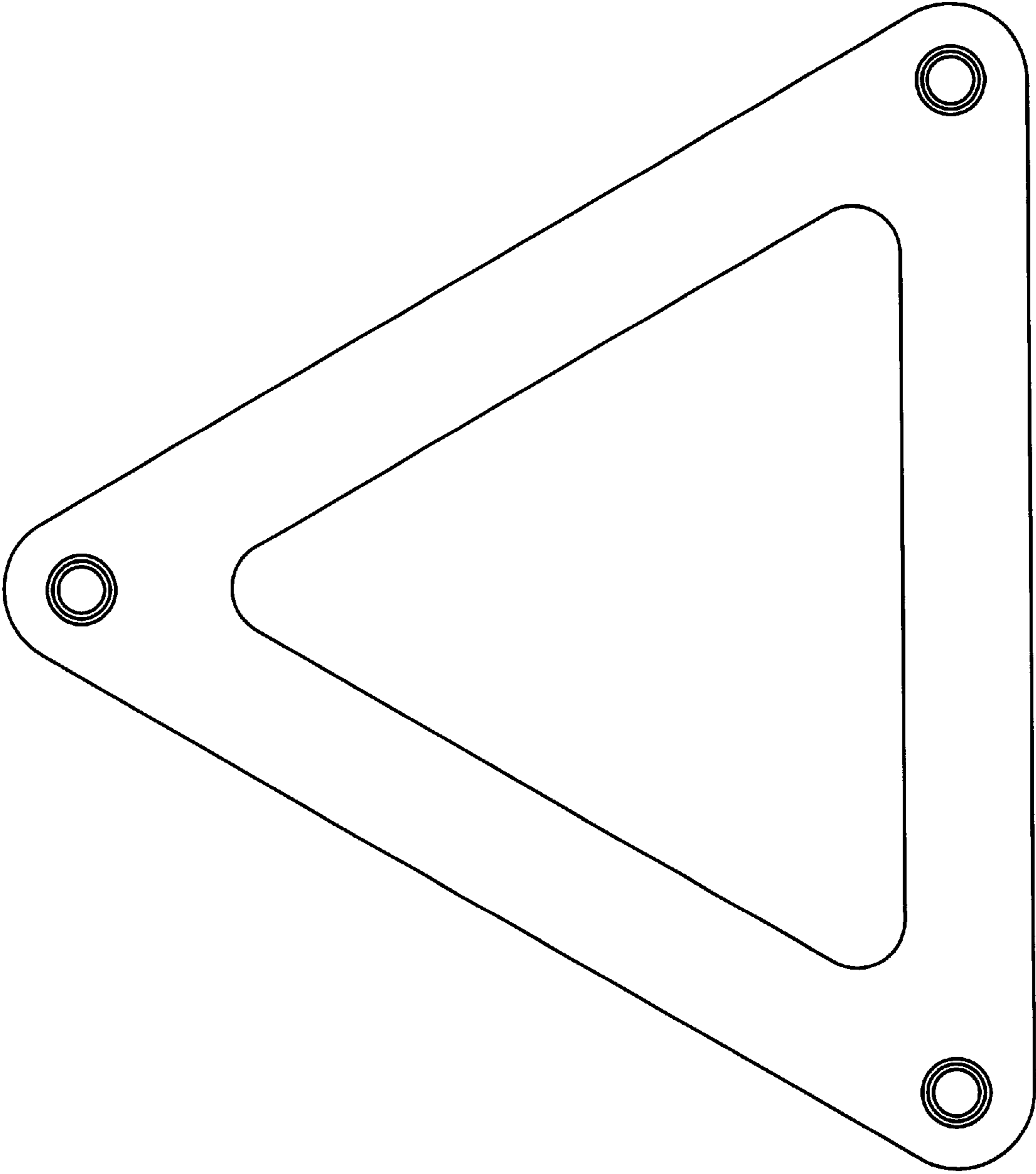


FIG. 5

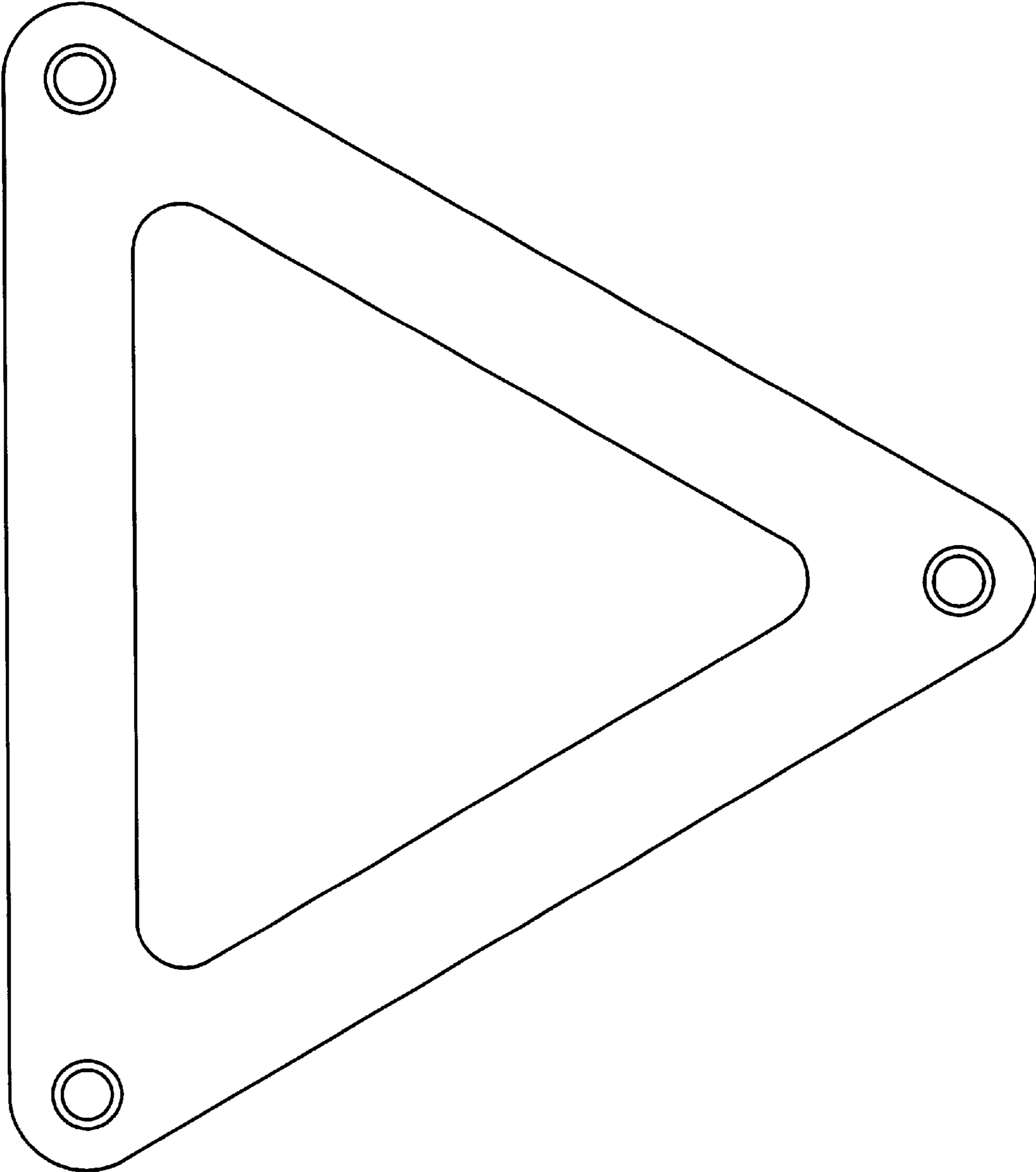


FIG. 6