



US00D533237S

(12) **United States Design Patent** (10) **Patent No.:** **US D533,237 S**
Lassanske et al. (45) **Date of Patent:** **** Dec. 5, 2006**

(54) **FRAME FOR A CYCLING EXERCISER**

(75) Inventors: **Todd W. Lassanske**, Madison, WI (US); **Douglas J. Golenz**, Louisville, CO (US); **William B. Stephens**, Boulder, CO (US)

(73) Assignee: **Saris Cycling Group, Inc.**, Madison, WI (US)

(**) Term: **14 Years**

(21) Appl. No.: **29/210,313**

(22) Filed: **Jul. 29, 2004**

(51) **LOC (8) Cl.** **21-02**

(52) **U.S. Cl.** **D21/698; D21/667**

(58) **Field of Classification Search** D21/663, D21/664, 665, 666, 667, 694, 697; D12/111; 482/51, 52, 57, 64

See application file for complete search history.

(56) **References Cited**

U.S. PATENT DOCUMENTS

D251,747 S	*	5/1979	Valentine et al.	D21/697
D284,596 S	*	7/1986	McNeil	D21/697
D292,304 S	*	10/1987	Ostrom	D21/697
D380,796 S	*	7/1997	Wang et al.	D21/667
D386,451 S		11/1997	Liao	
5,725,227 A		3/1998	Mayer	
5,749,807 A		5/1998	Webb	
5,911,429 A		6/1999	Shiau	
5,961,424 A		10/1999	Warner et al.	
6,076,845 A		6/2000	Lawwill et al.	
6,162,152 A		12/2000	Kuo	
D459,775 S	*	7/2002	Chen	D21/697
D460,133 S		7/2002	Baker	
D460,794 S		7/2002	Baker	
D473,273 S		4/2003	Crawford et al.	
D474,252 S		5/2003	Lull et al.	
6,557,679 B1		5/2003	Warner et al.	
6,561,952 B1		5/2003	Wu	
6,641,507 B1		11/2003	Warner et al.	
6,669,603 B1		12/2003	Forcillo	
D487,416 S		3/2004	Lin	
2002/0089144 A1		7/2002	Kettler	
2003/0171191 A1		9/2003	Crawford et al.	

2003/0211918 A1 11/2003 Warner et al.
2003/0224911 A1 12/2003 Warner et al.
2004/0053750 A1 3/2004 Forcillo

* cited by examiner

Primary Examiner—Philip S. Hyder

(74) *Attorney, Agent, or Firm*—Boyle, Fredrickson, Newholm, Stein & Gratz, S.C.

(57) **CLAIM**

The ornamental design for a frame for a cycling exerciser, as shown and described.

DESCRIPTION

FIG. 1 is an isometric view of a frame for a cycling exerciser incorporating our new design, wherein portions are illustrated in phantom form no part of the claimed design;

FIG. 2 is a left side elevation view thereof;

FIG. 3 is a right side elevation view thereof;

FIG. 4 is a top plan view thereof;

FIG. 5 is a front elevation view thereof;

FIG. 6 is a rear elevation view thereof;

FIG. 7 is an isometric view of a modified embodiment of a frame for a cycling exerciser in accordance with our design incorporating a seat mounting arrangement, wherein the portions illustrated in phantom and form no part of the claimed design;

FIG. 8 is a left side elevation view thereof;

FIG. 9 is a right side elevation view thereof;

FIG. 10 is a top plan view thereof;

FIG. 11 is a front elevation view thereof;

FIG. 12 is a rear elevation view thereof;

FIG. 13 is an isometric view of a second modified embodiment of a frame for a cycling exerciser in accordance with our design incorporating a handle bar mounting arrangement, wherein the portions illustrated in phantom form no part of the claimed design;

FIG. 14 is a left side elevation view thereof;

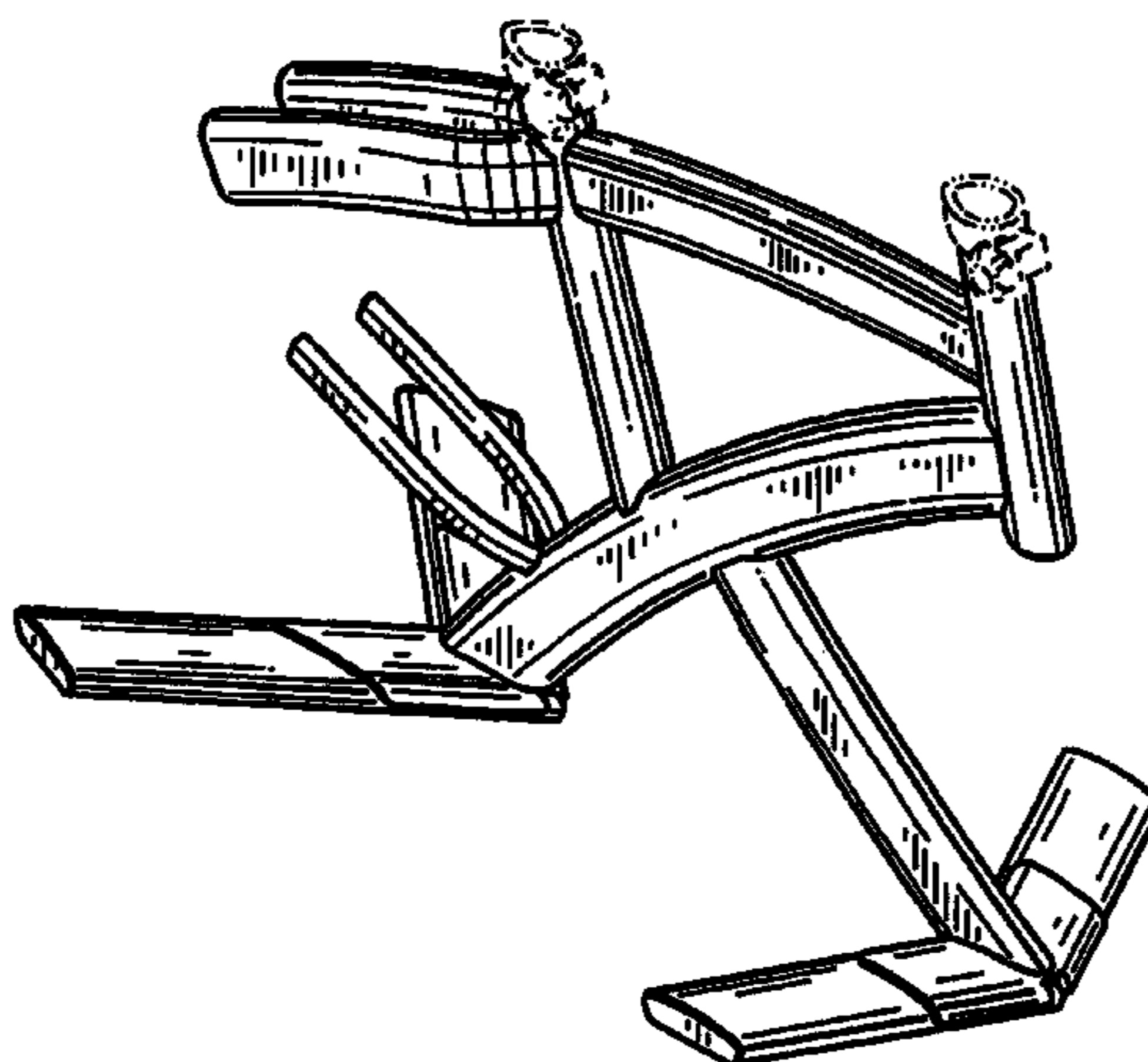
FIG. 15 is a right side elevation view thereof;

FIG. 16 is a top plan view thereof;

FIG. 17 is a front elevation view thereof; and,

FIG. 18 is a rear elevation view thereof.

1 Claim, 9 Drawing Sheets



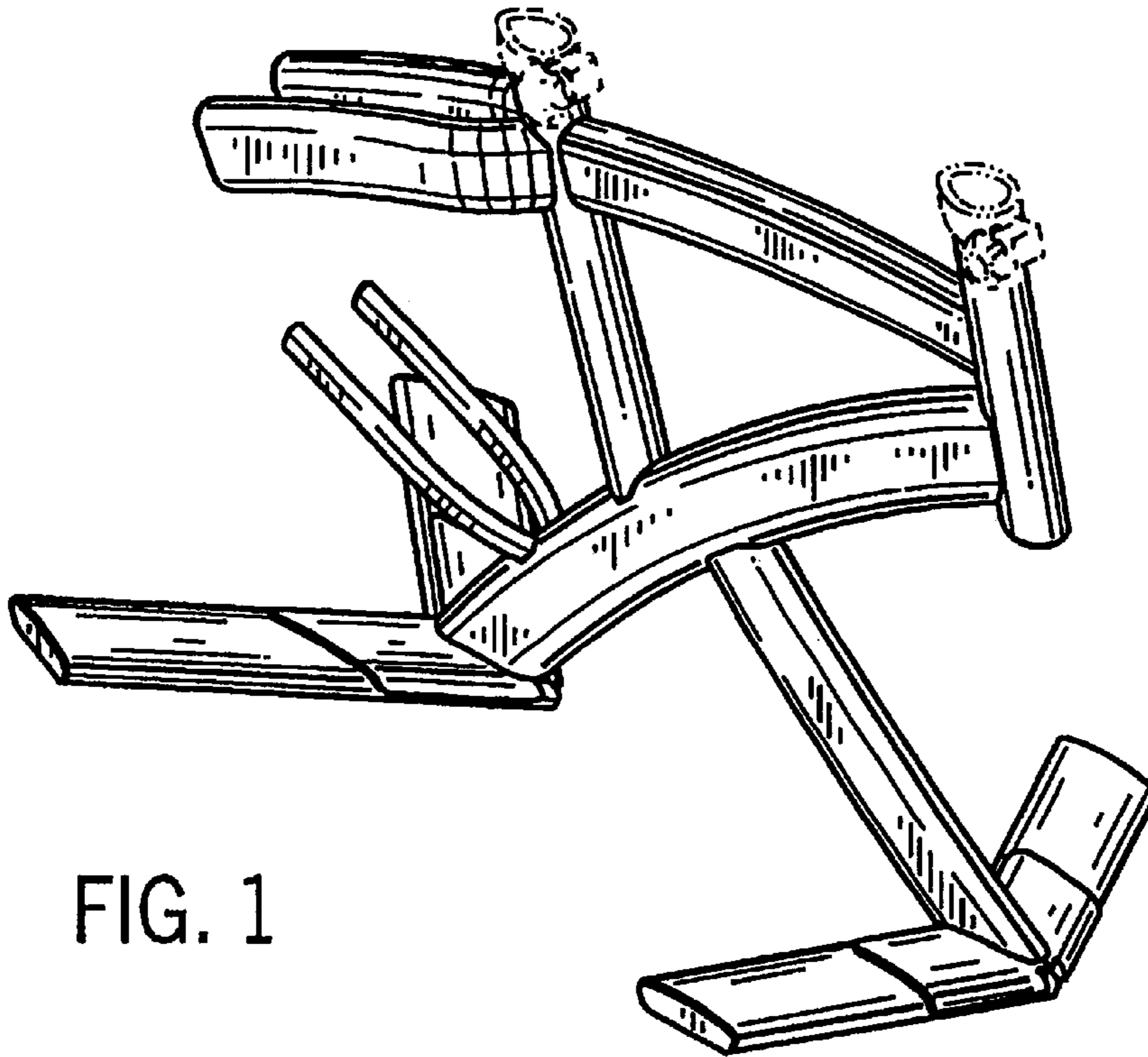


FIG. 1

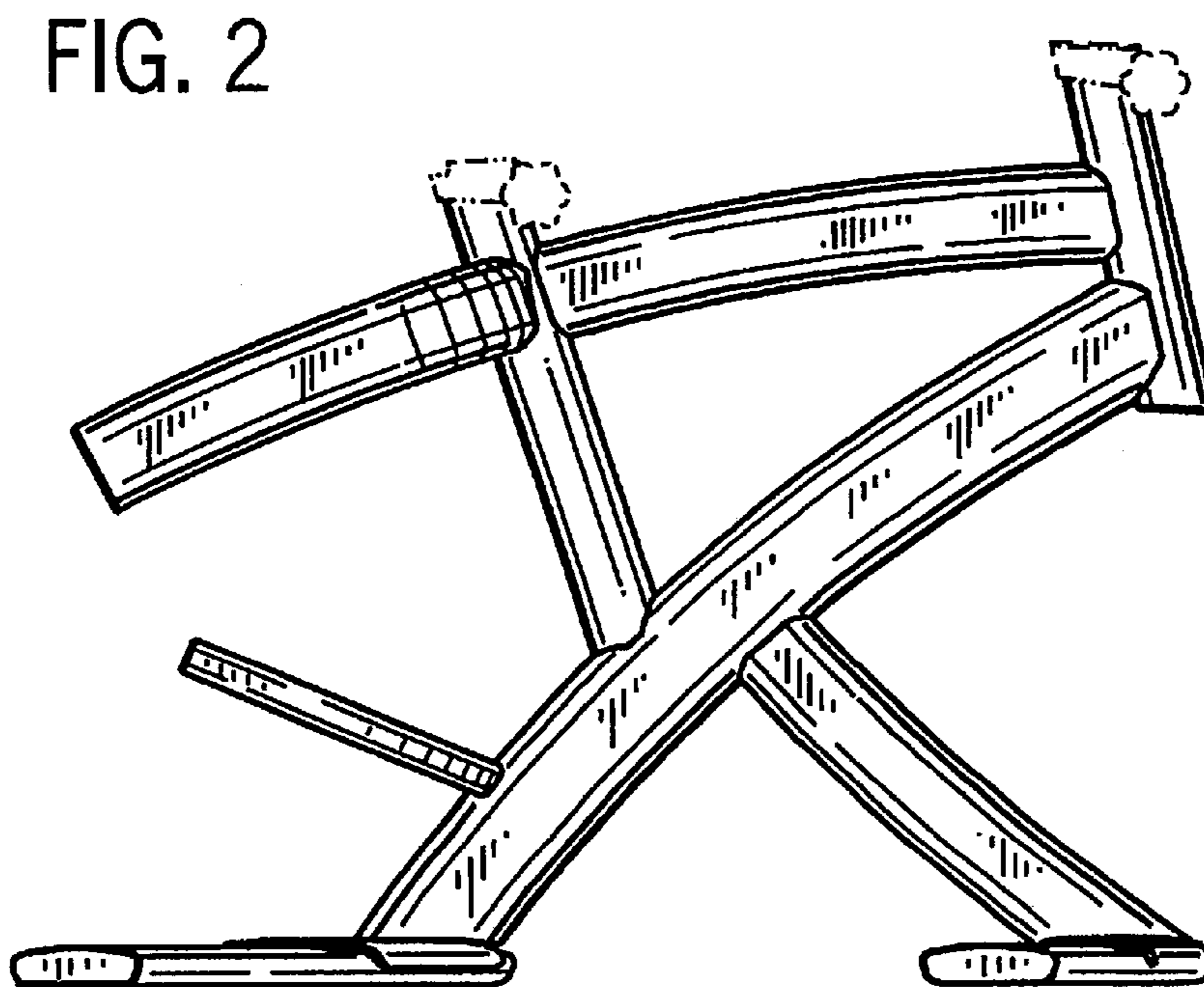


FIG. 2

FIG. 3

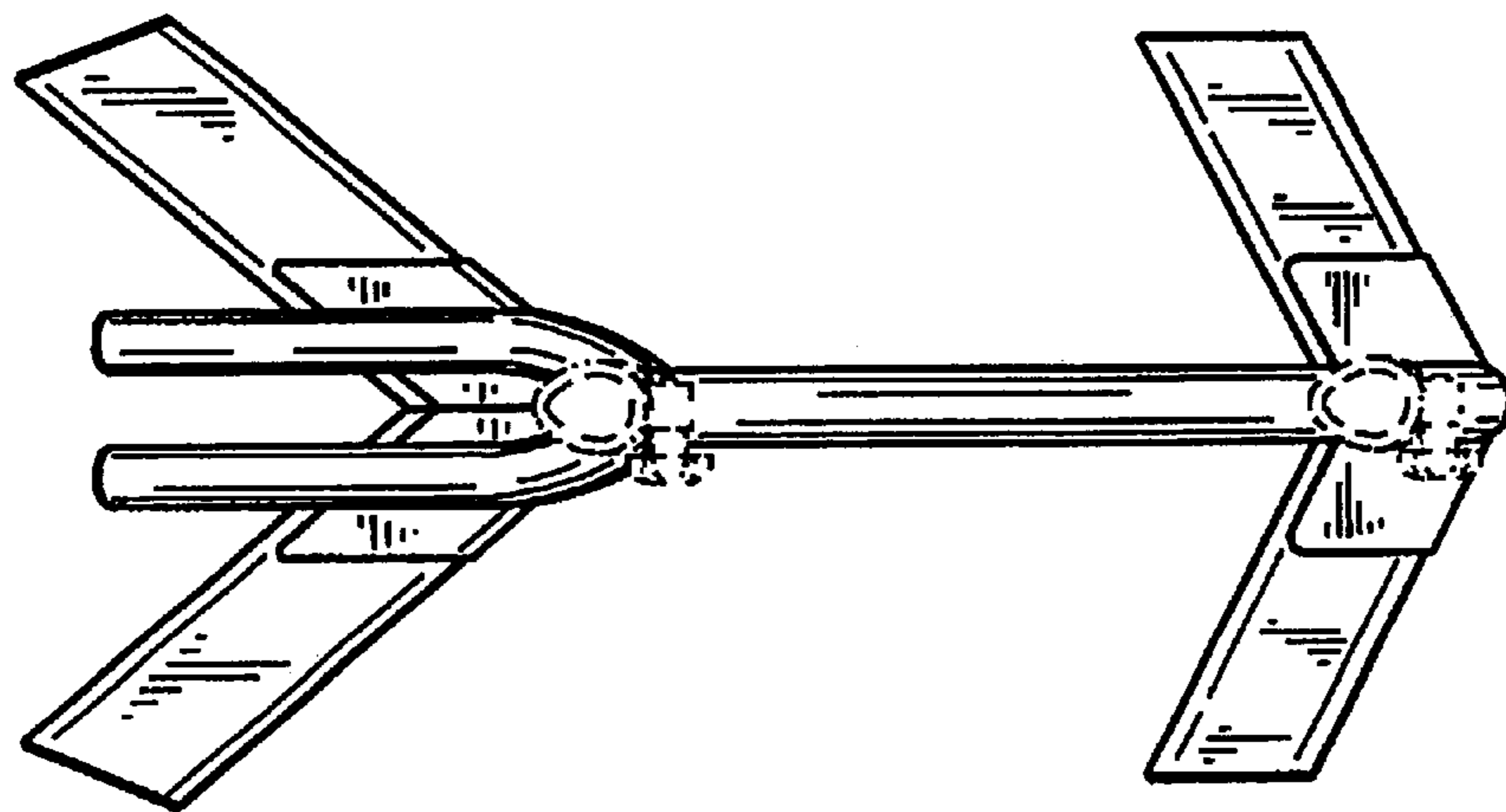
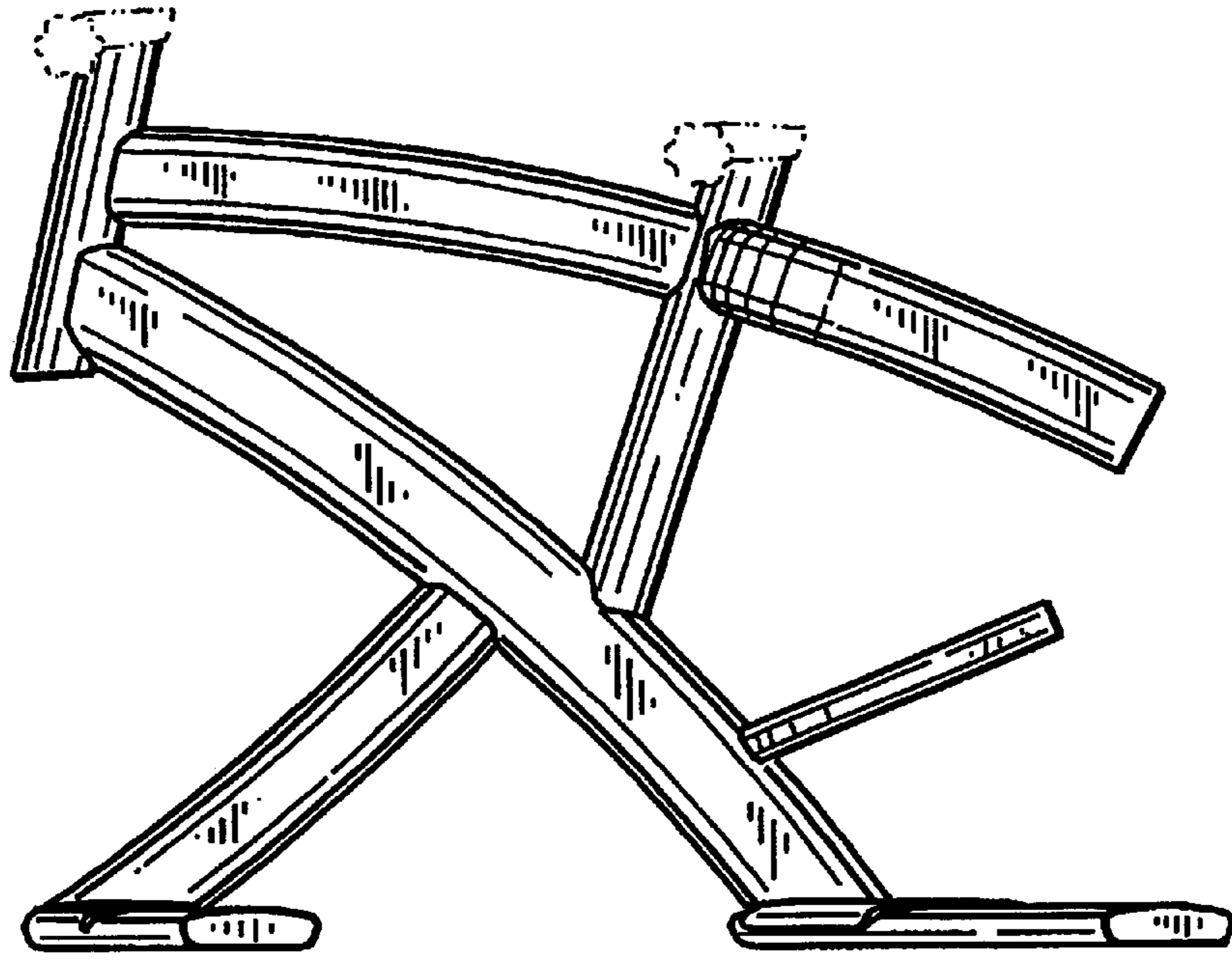


FIG. 4

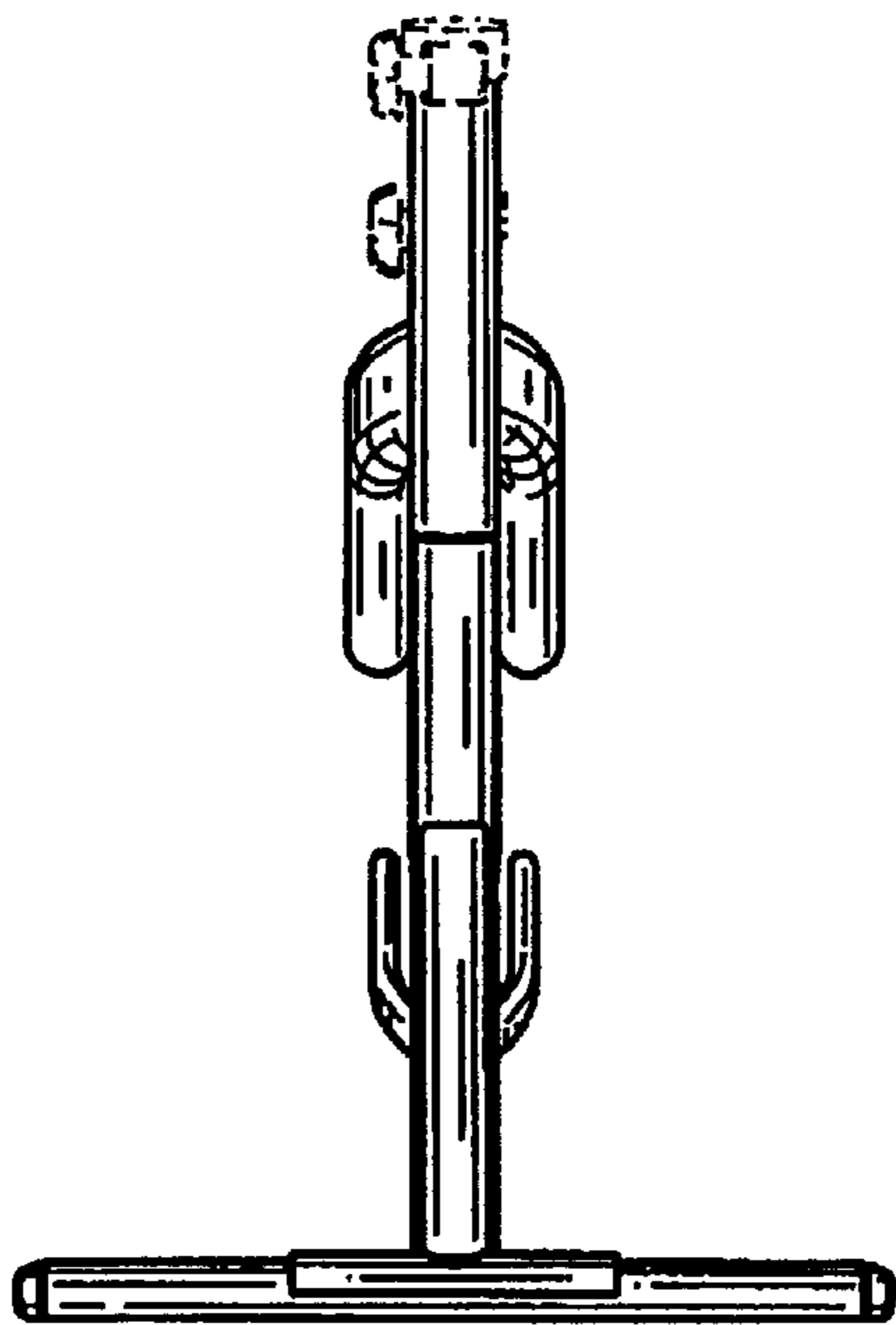


FIG. 5

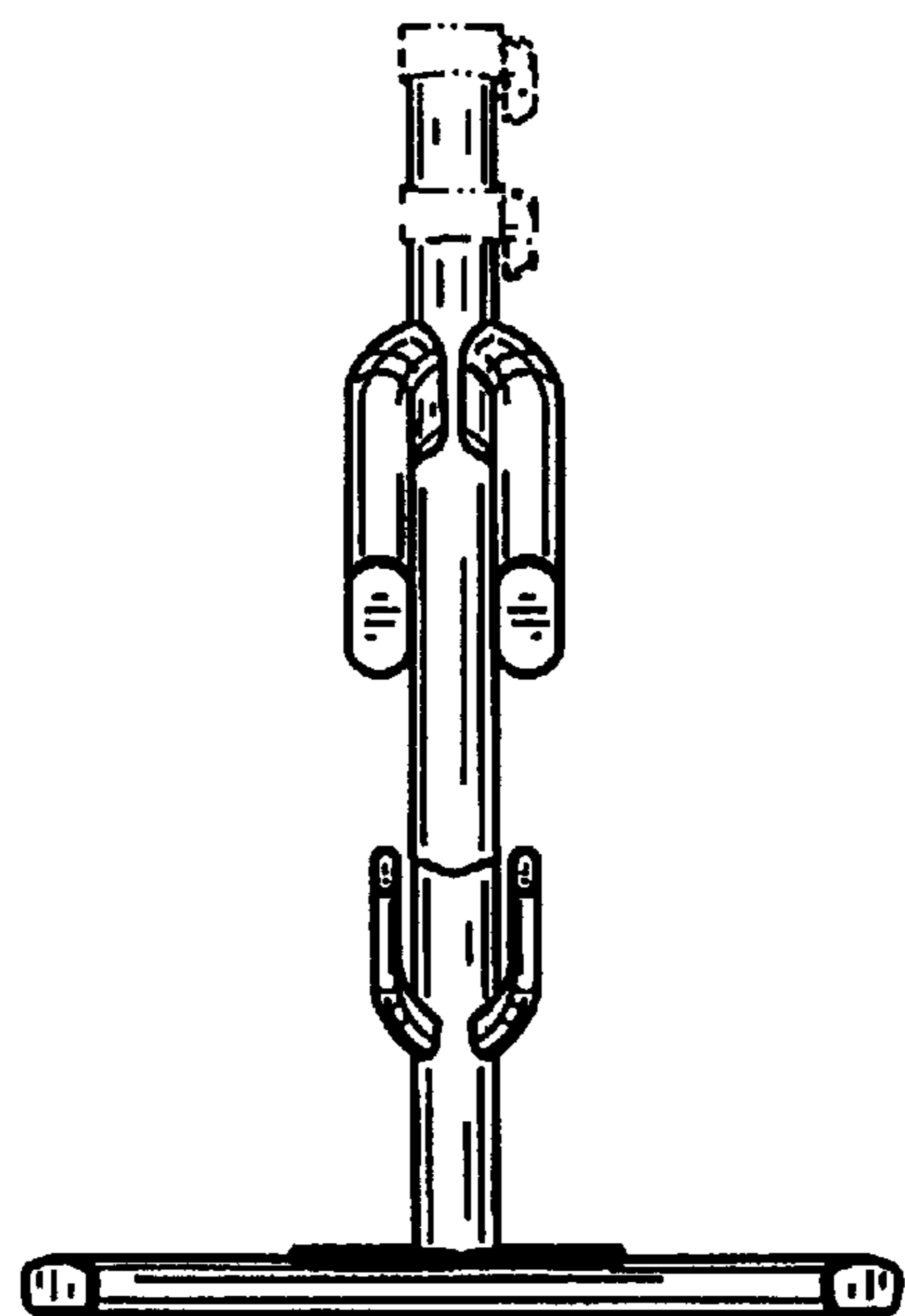


FIG. 6

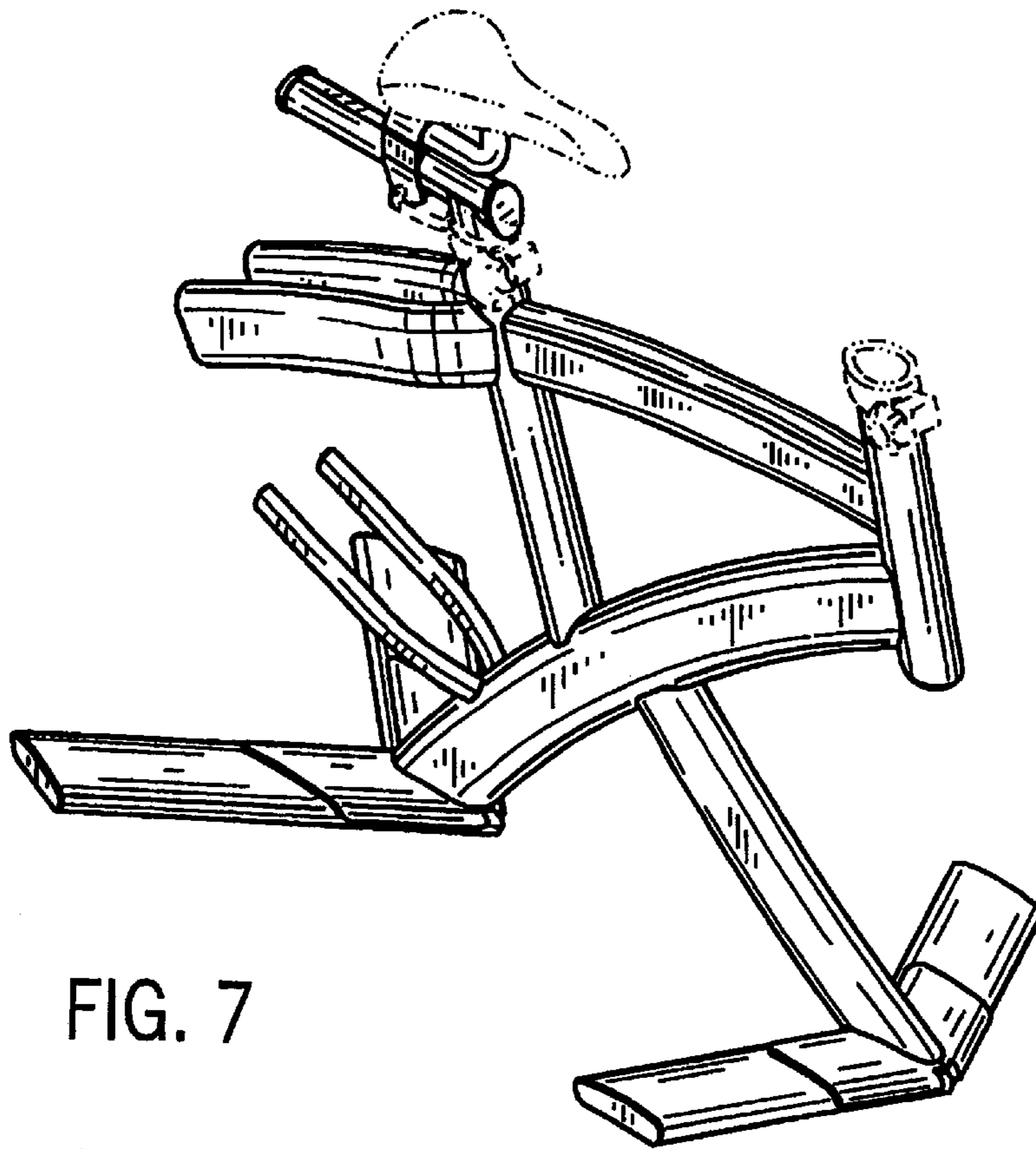


FIG. 7

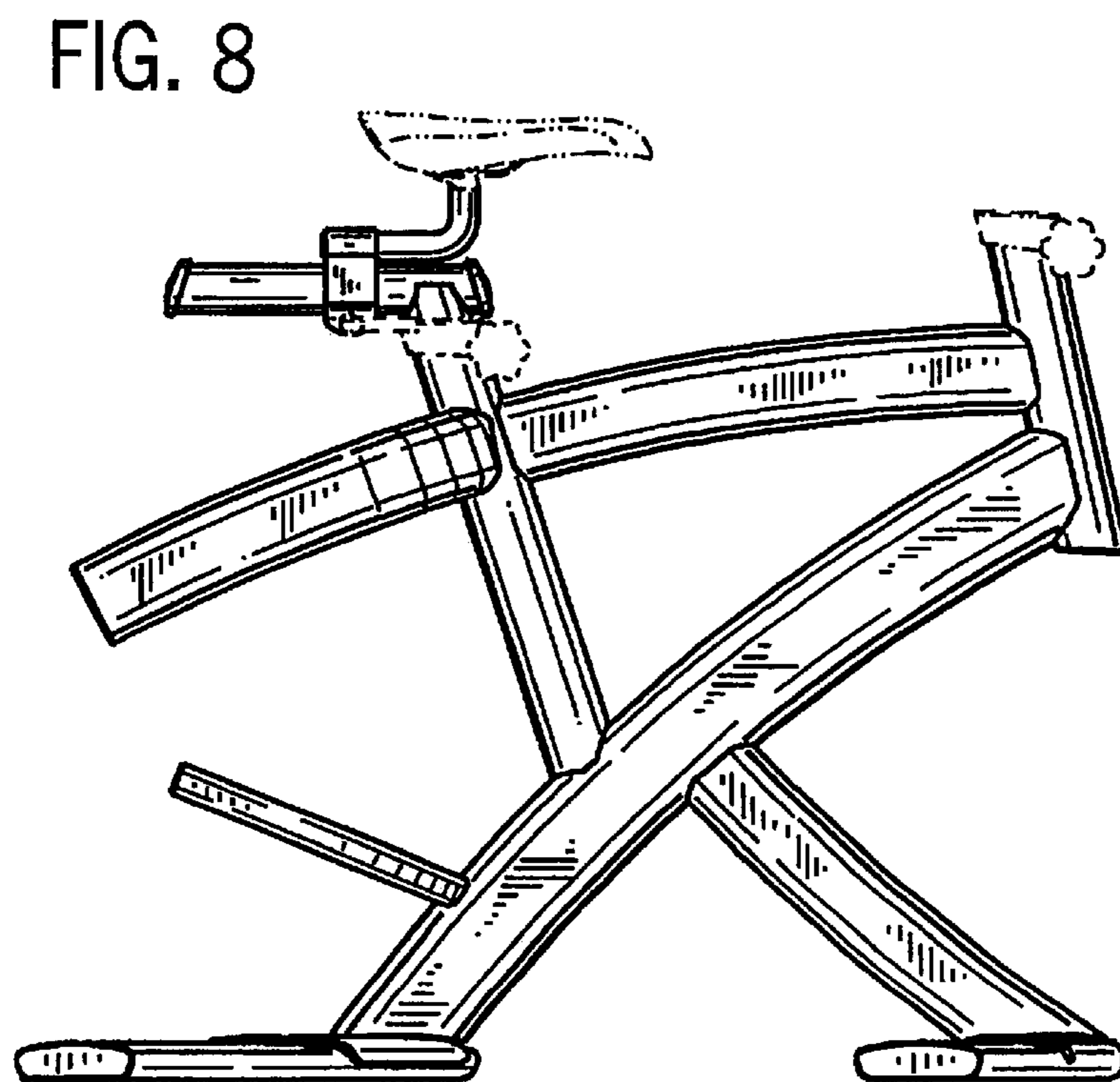


FIG. 8

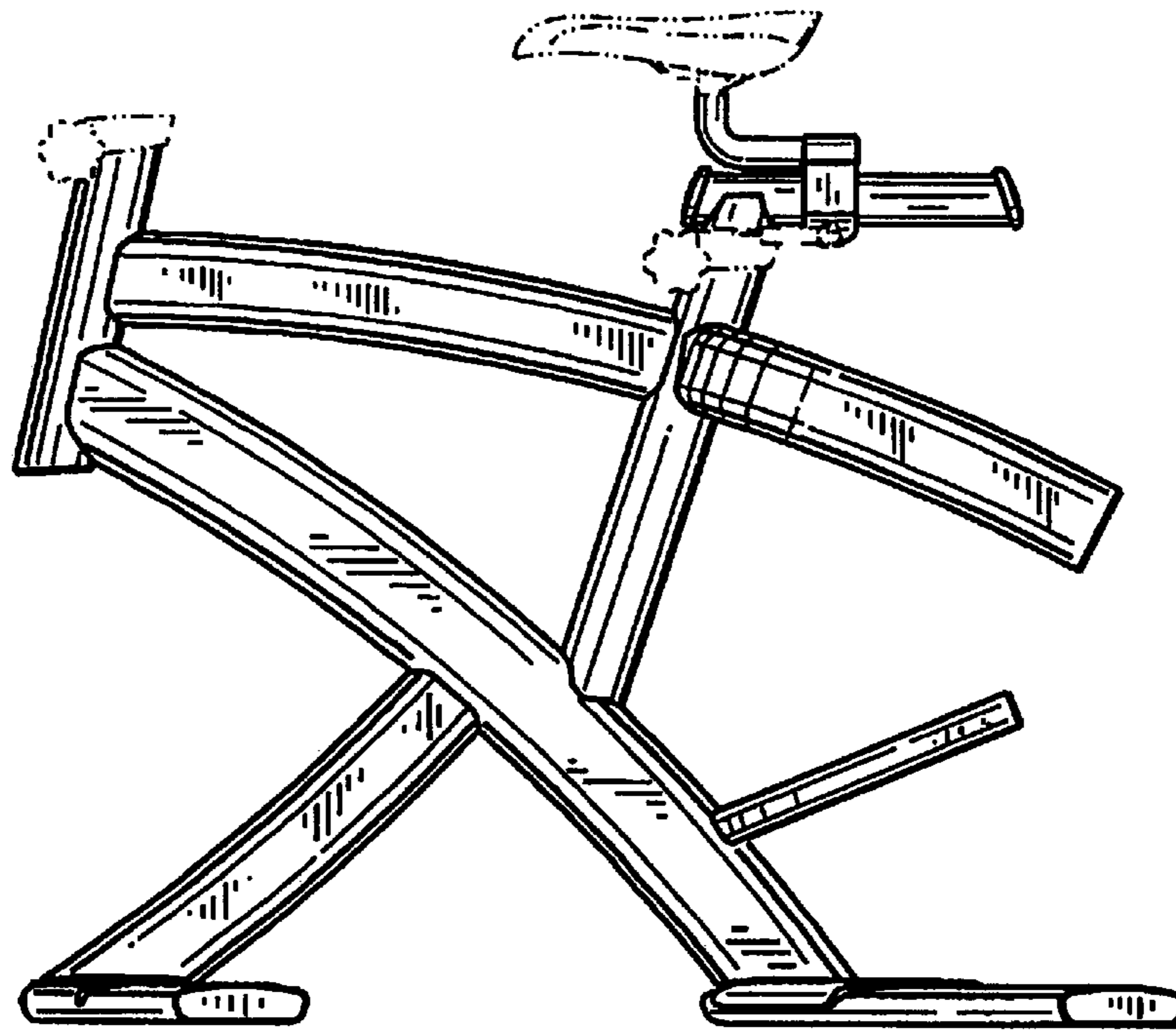


FIG. 9

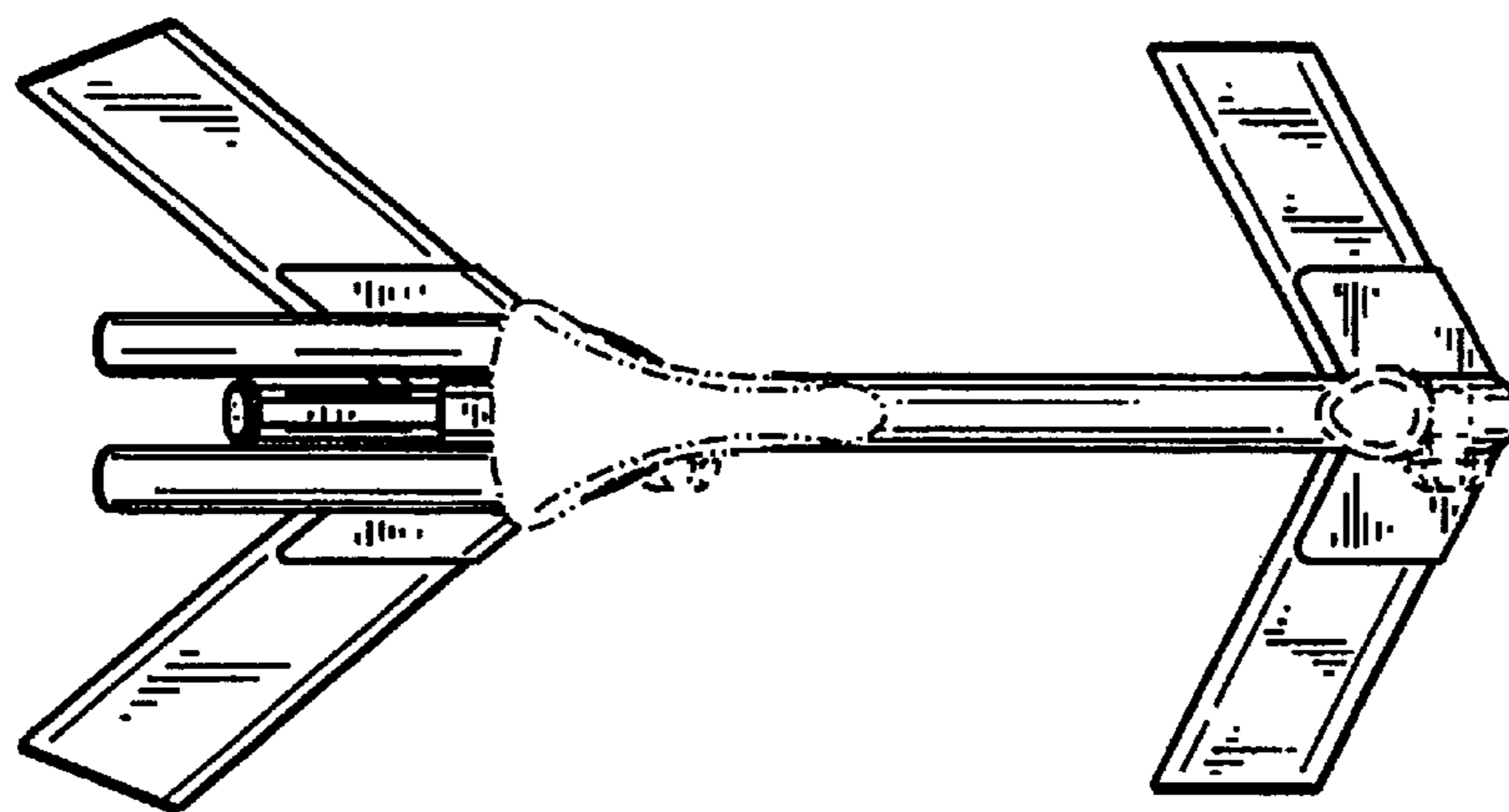


FIG. 10

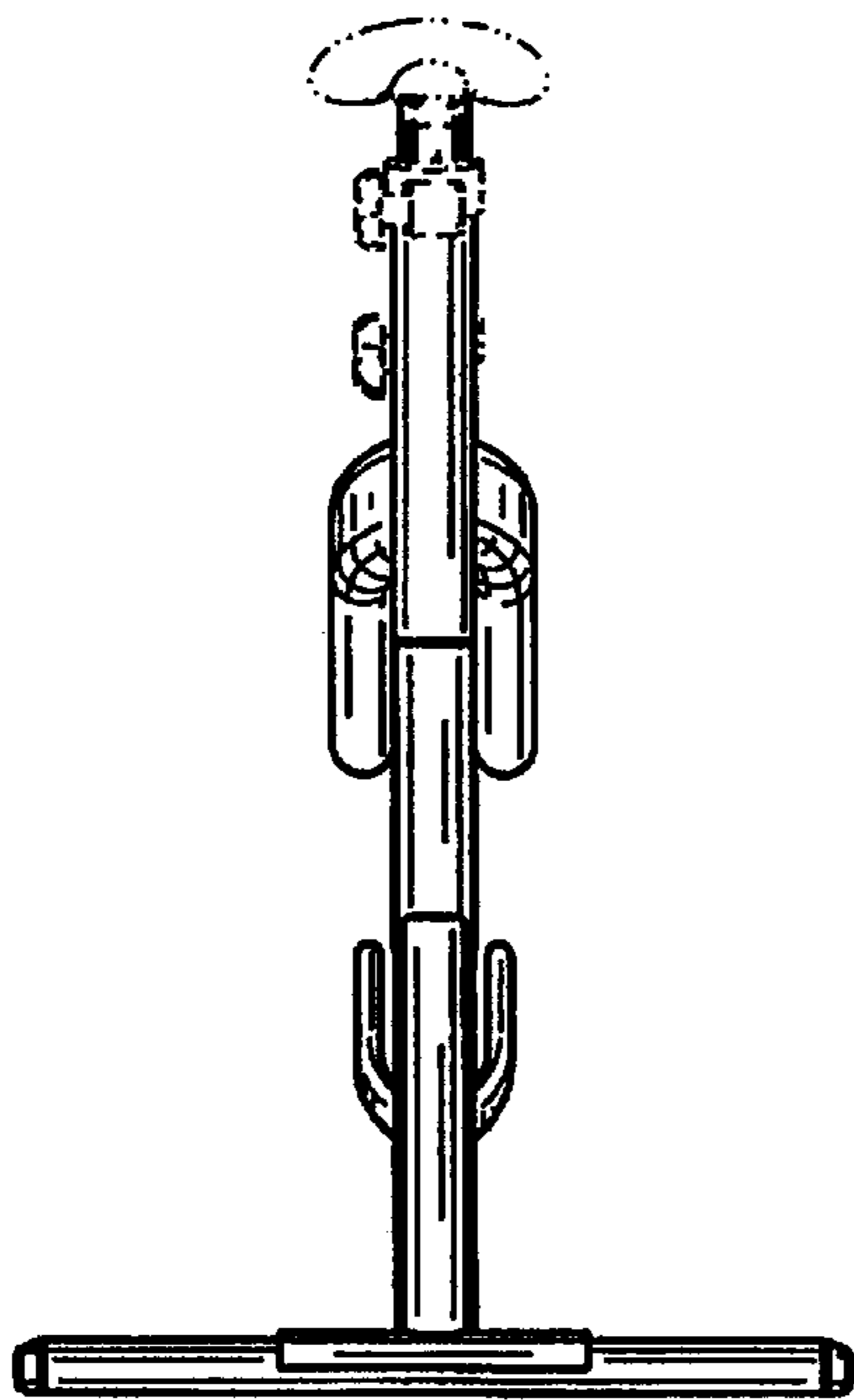


FIG. 11

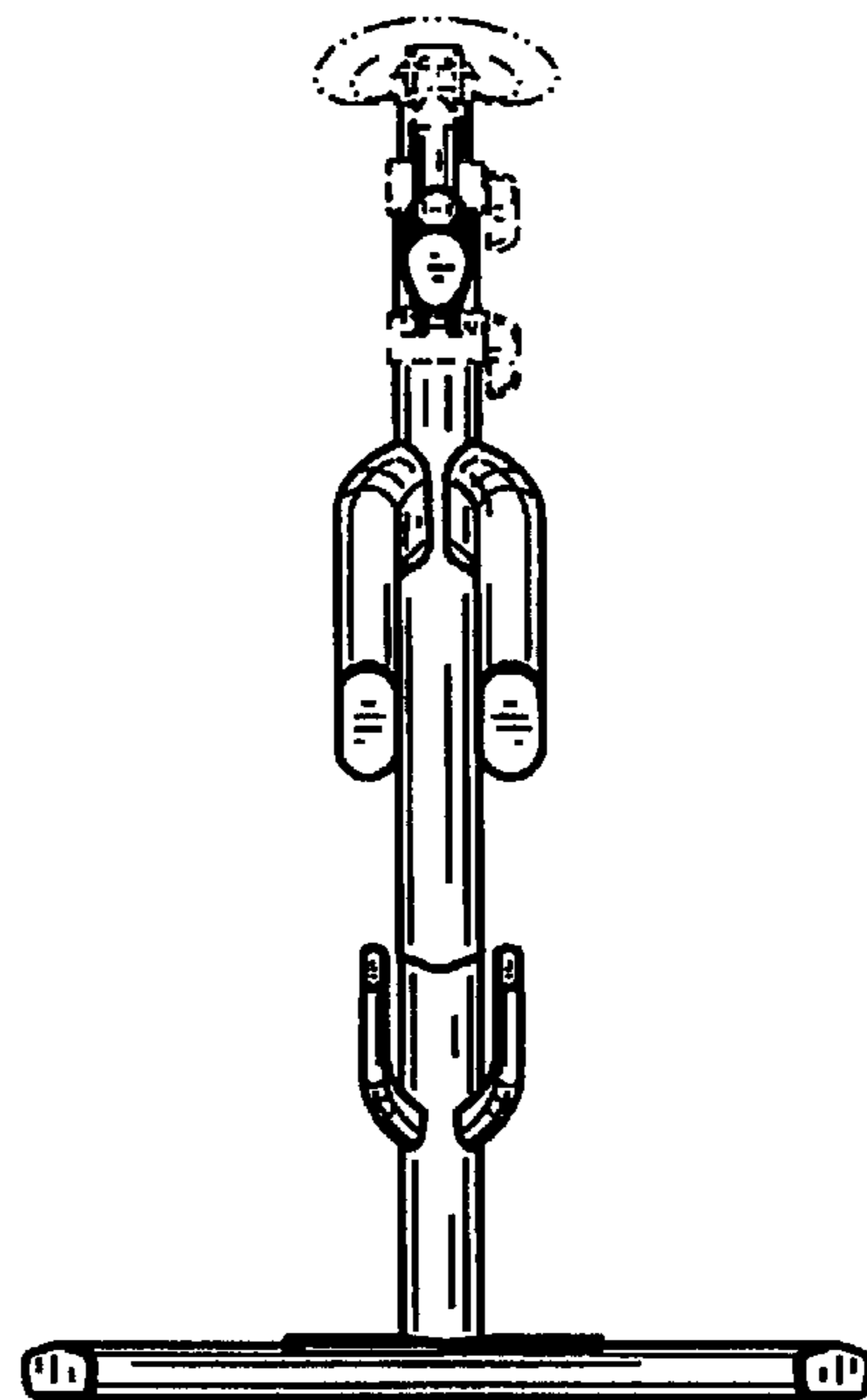


FIG. 12

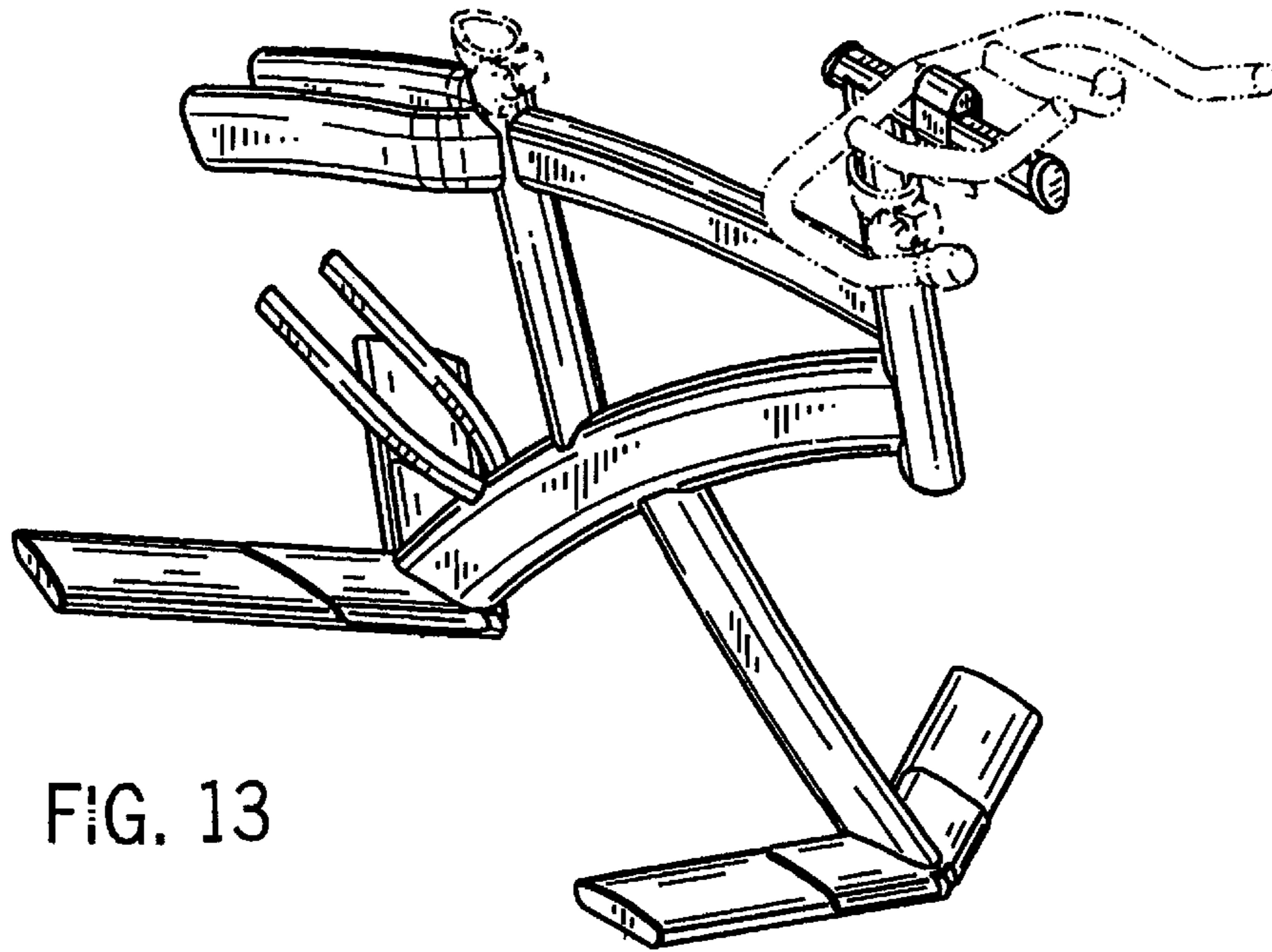


FIG. 13

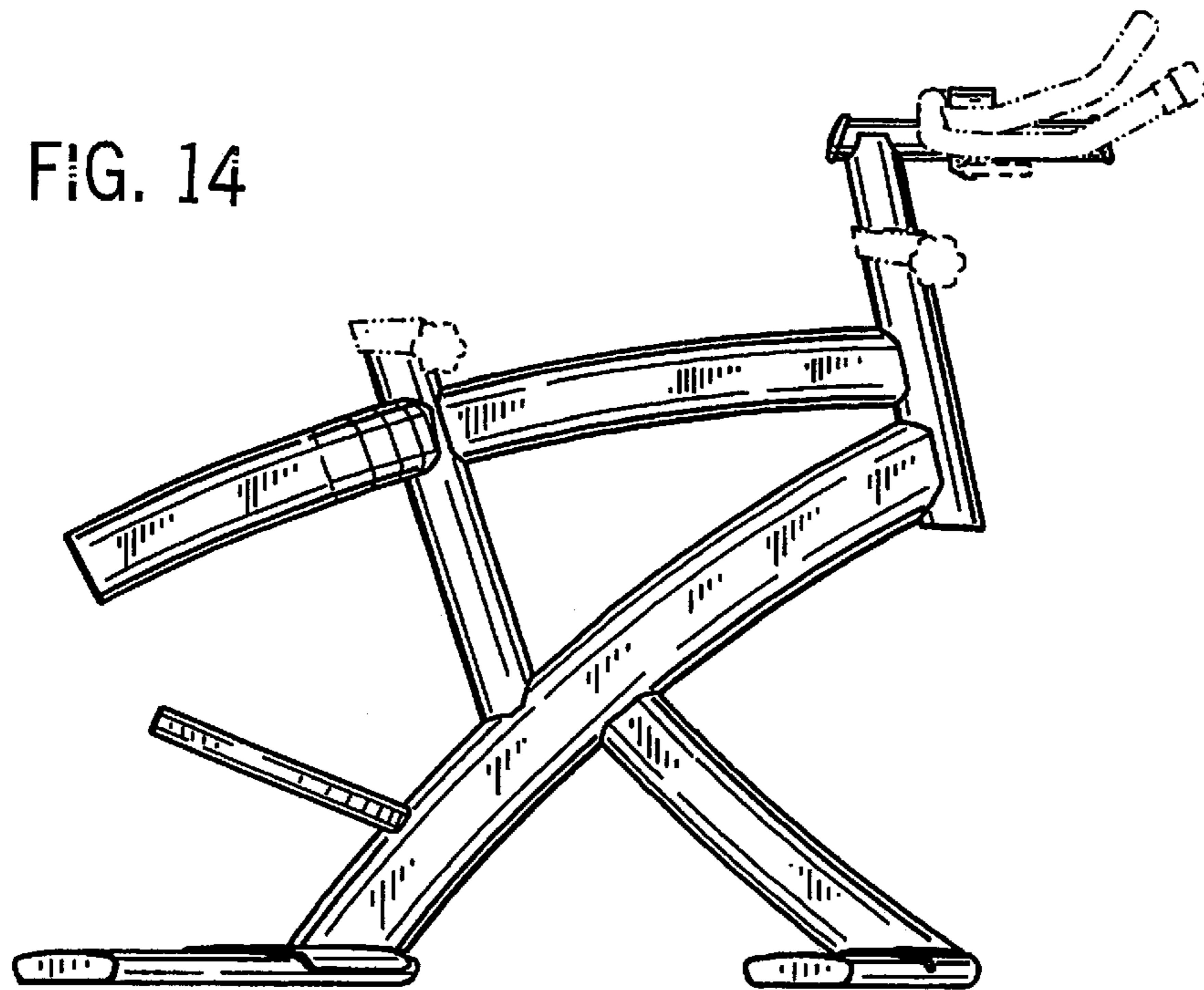


FIG. 14

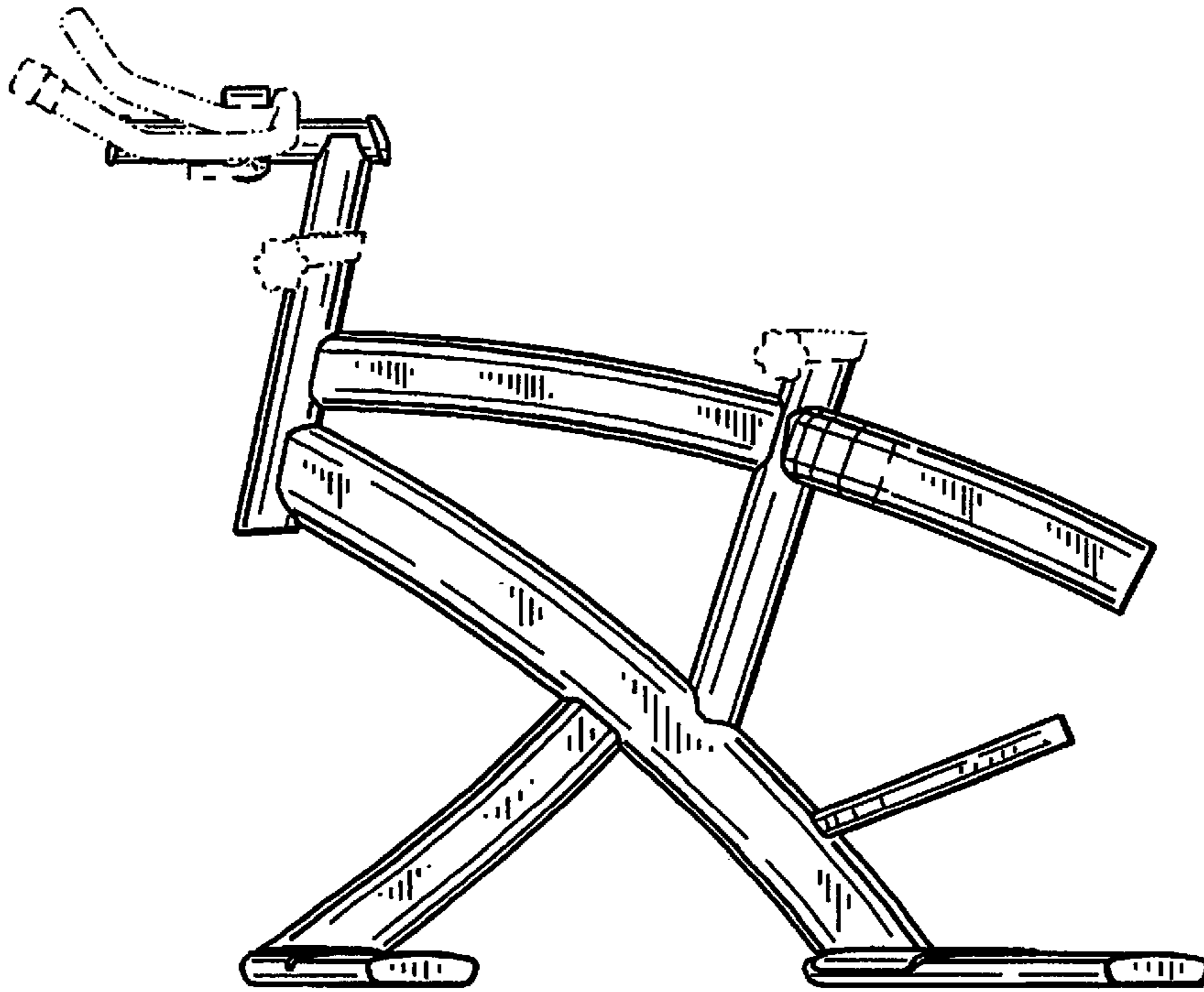


FIG. 15

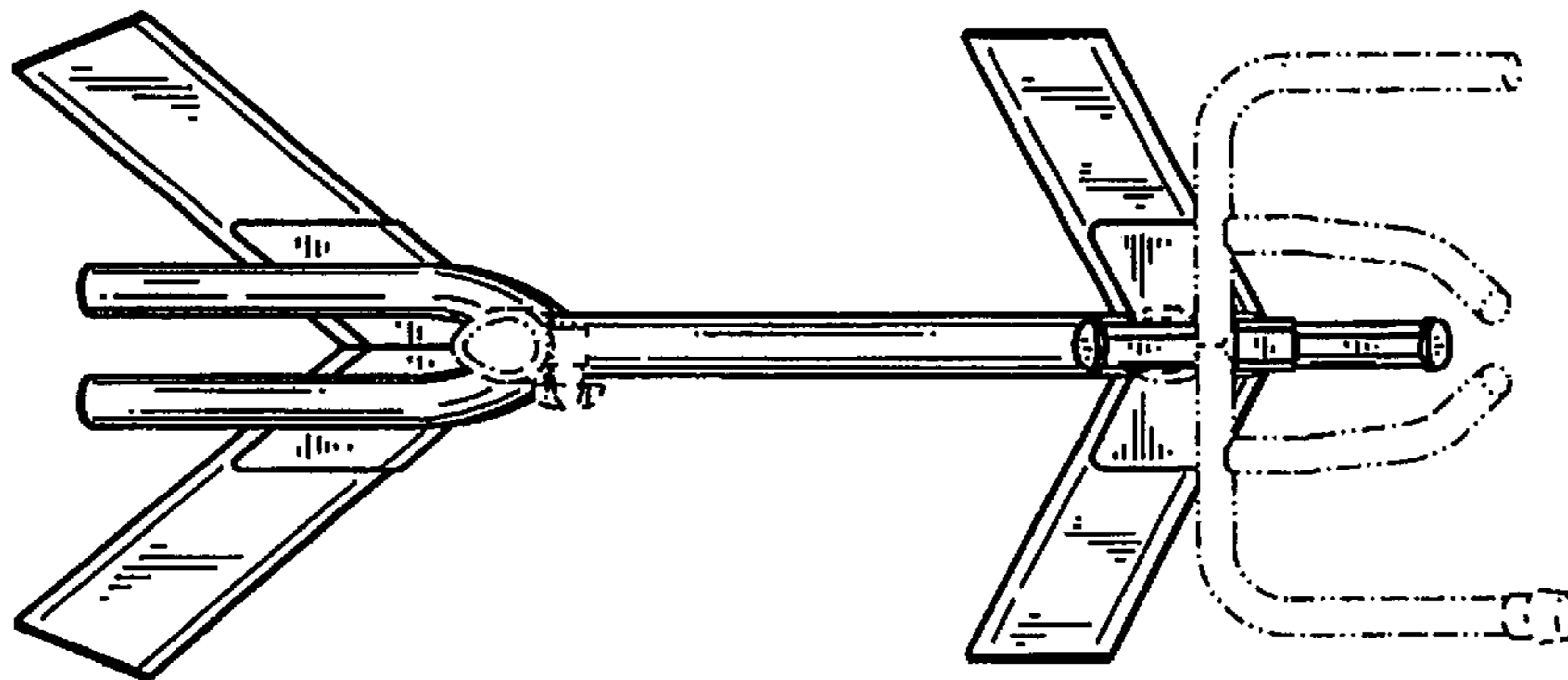


FIG. 16

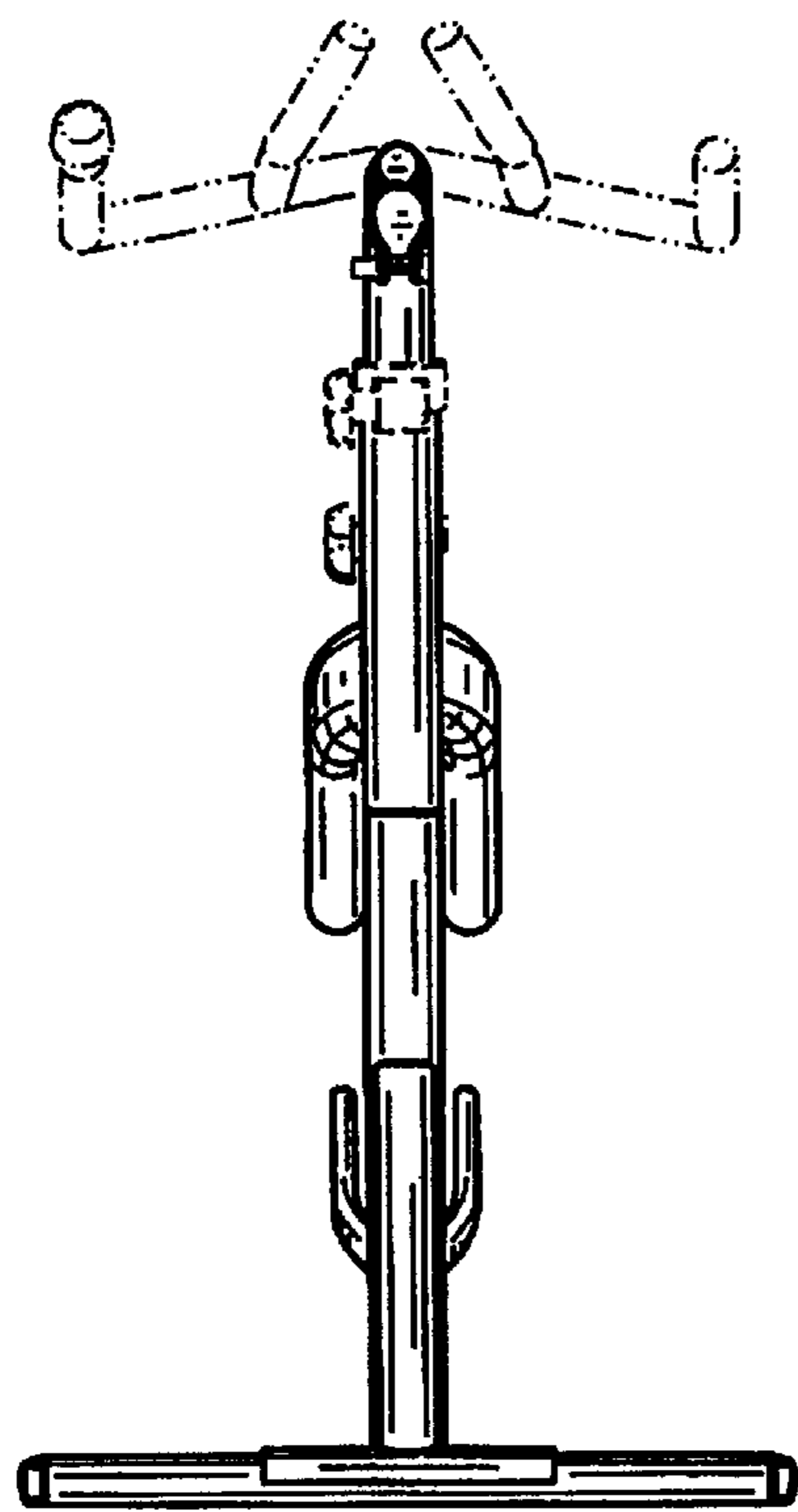


FIG. 17

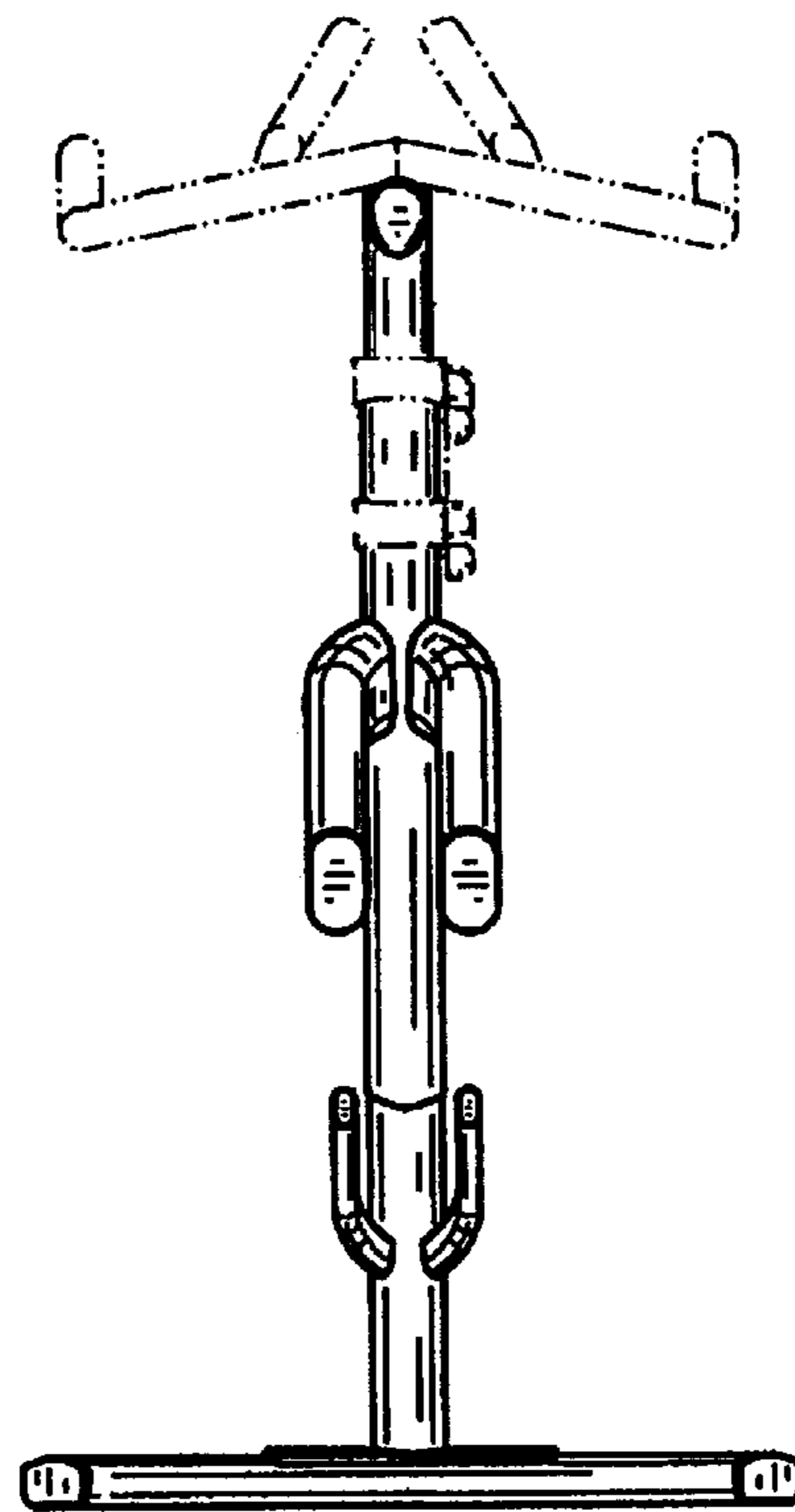


FIG. 18