

US00D533230S

(12) **United States Design Patent**
Thomas

(10) **Patent No.:** **US D533,230 S**
(45) **Date of Patent:** **** Dec. 5, 2006**

(54) **REAL ESTATE SIGN HOLDER**

(76) Inventor: **Colin N. Thomas**, 7826 Titian Way,
Cottonwood Heights, UT (US) 84121

(**) Term: **14 Years**

(21) Appl. No.: **29/230,063**

(22) Filed: **May 16, 2005**

(51) **LOC (8) Cl.** **20-02**

(52) **U.S. Cl.** **D20/41**

(58) **Field of Classification Search** D20/10,
D20/11, 34, 40, 41, 42, 43, 44, 99; D6/315,
D6/320, 328; D8/363, 367, 380, 394; 40/322,
40/617, 642.01, 642.02, 661.08, 672, 771,
40/788; 223/85, 87, 91, 97, 98; 248/125.2,
248/170, 171; 160/24

See application file for complete search history.

(56) **References Cited**

U.S. PATENT DOCUMENTS

2,865,124	A	*	12/1958	Mortellito	40/605
2,872,750	A	*	2/1959	Holcomb	40/610
4,237,636	A	*	12/1980	Matthews	40/607.13
4,559,733	A	*	12/1985	Forslund	40/606.17
4,778,250	A	*	10/1988	McRoskey et al.	40/610
4,792,258	A	*	12/1988	Goff	40/610
4,916,840	A	*	4/1990	Getz	40/605
D399,261	S	*	10/1998	Humphrey	D20/41
D477,036	S	*	7/2003	Gaines et al.	D20/41

6,655,062	B1	*	12/2003	Meeker	40/611.05
D503,747	S	*	4/2005	Crawford	D20/41
D503,748	S	*	4/2005	Crawford	D20/41
D503,749	S	*	4/2005	Crawford	D20/41

* cited by examiner

Primary Examiner—Robert M. Spear

(74) *Attorney, Agent, or Firm*—Brian C. Trask

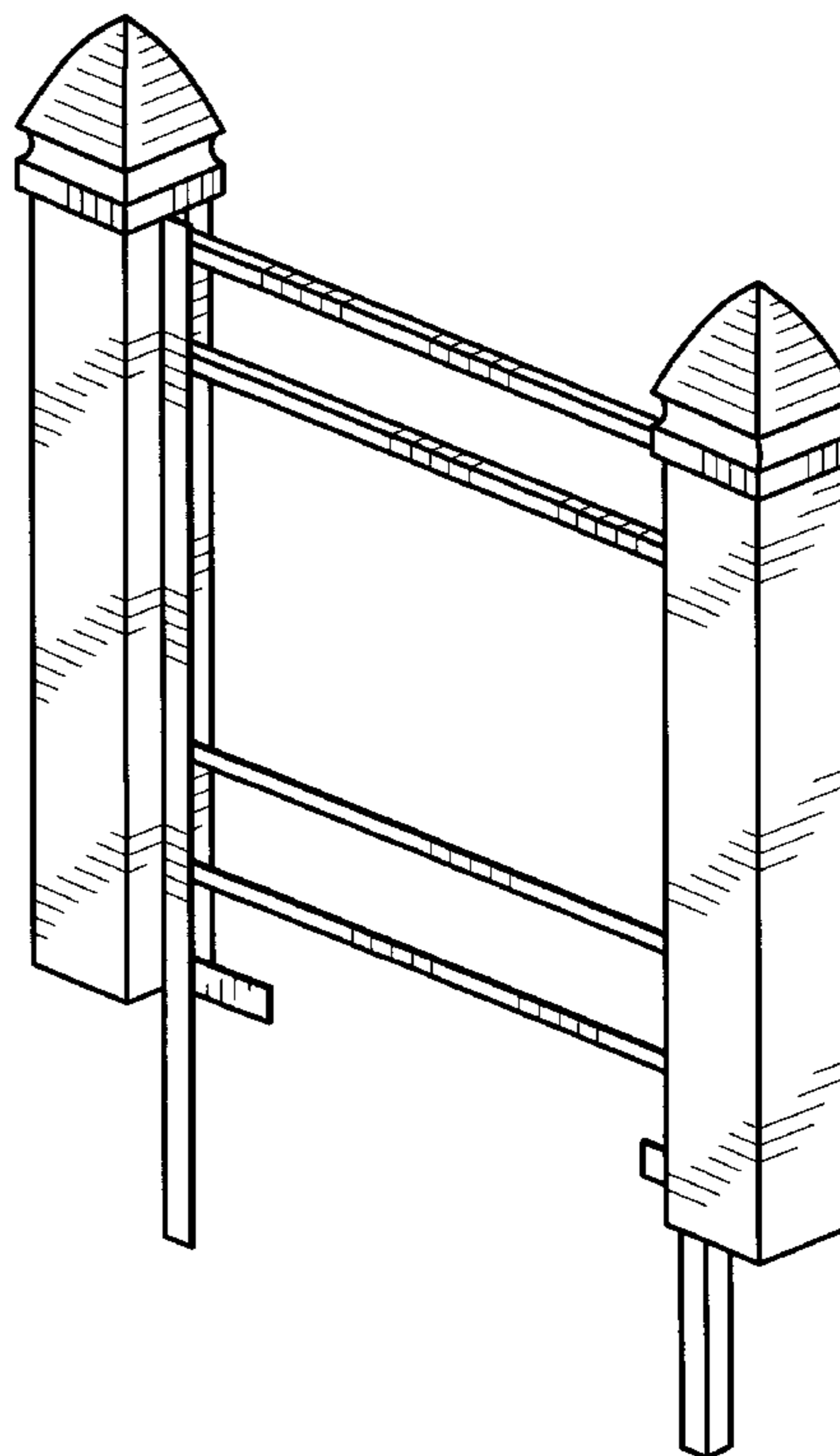
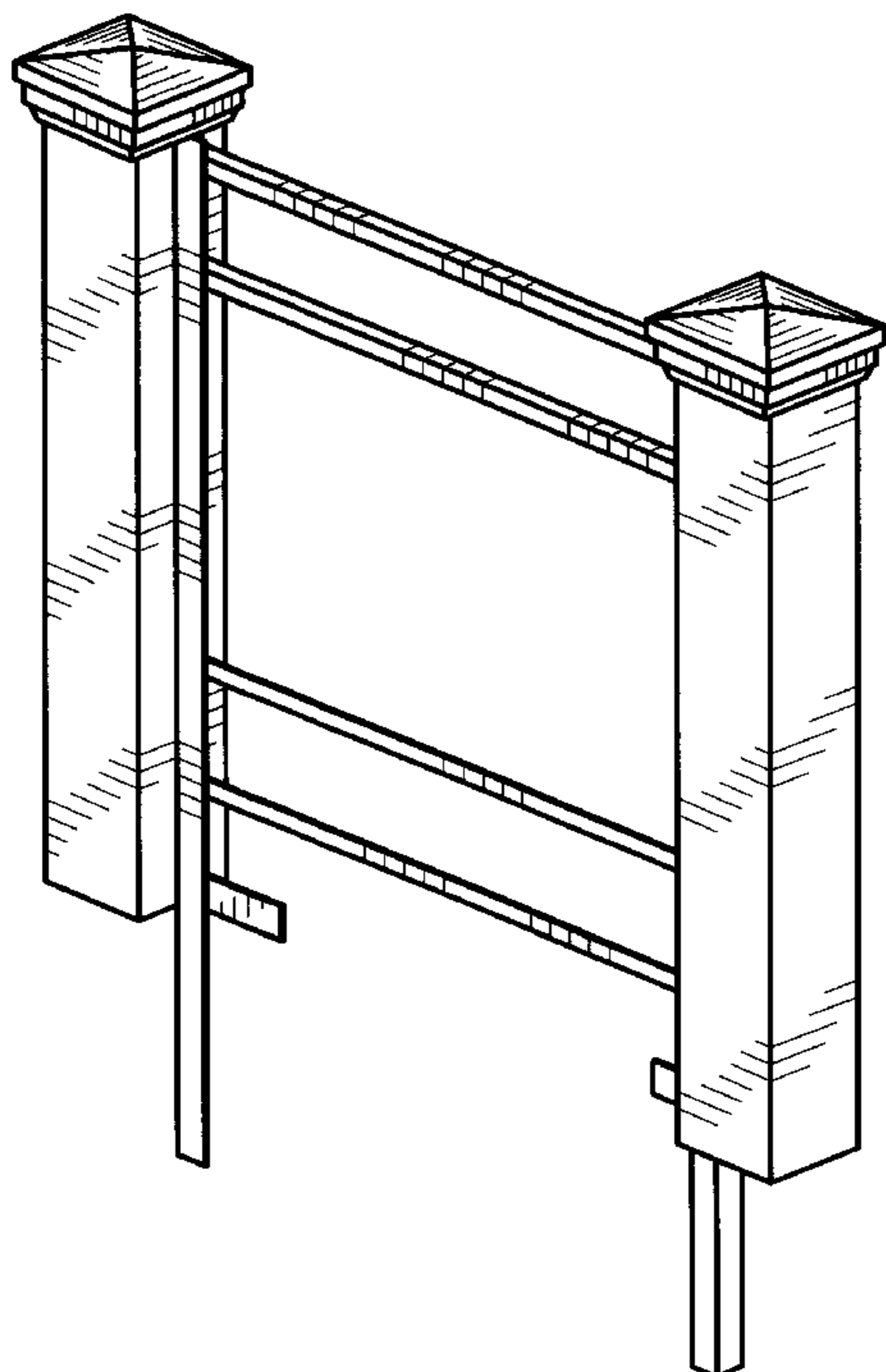
(57) **CLAIM**

The ornamental design for a real estate sign holder, as shown and described.

DESCRIPTION

FIG. 1 is a front right perspective view of a real estate sign holder showing my new design;
 FIG. 2 is an top view thereof;
 FIG. 3 is a front view thereof;
 FIG. 4 is a side view thereof, both sides being mirror images of one another;
 FIG. 5 is a rear view thereof;
 FIG. 6 is a front right perspective view of a second embodiment of a real estate sign holder showing my new design;
 FIG. 7 is a top view of the sign holder of FIG. 6;
 FIG. 8 is a front view of the sign holder of FIG. 6;
 FIG. 9 is a side view of the sign holder of FIG. 6, both sides being mirror images of one another; and,
 FIG. 10 is a rear view of the sign holder of FIG. 6.

1 Claim, 2 Drawing Sheets



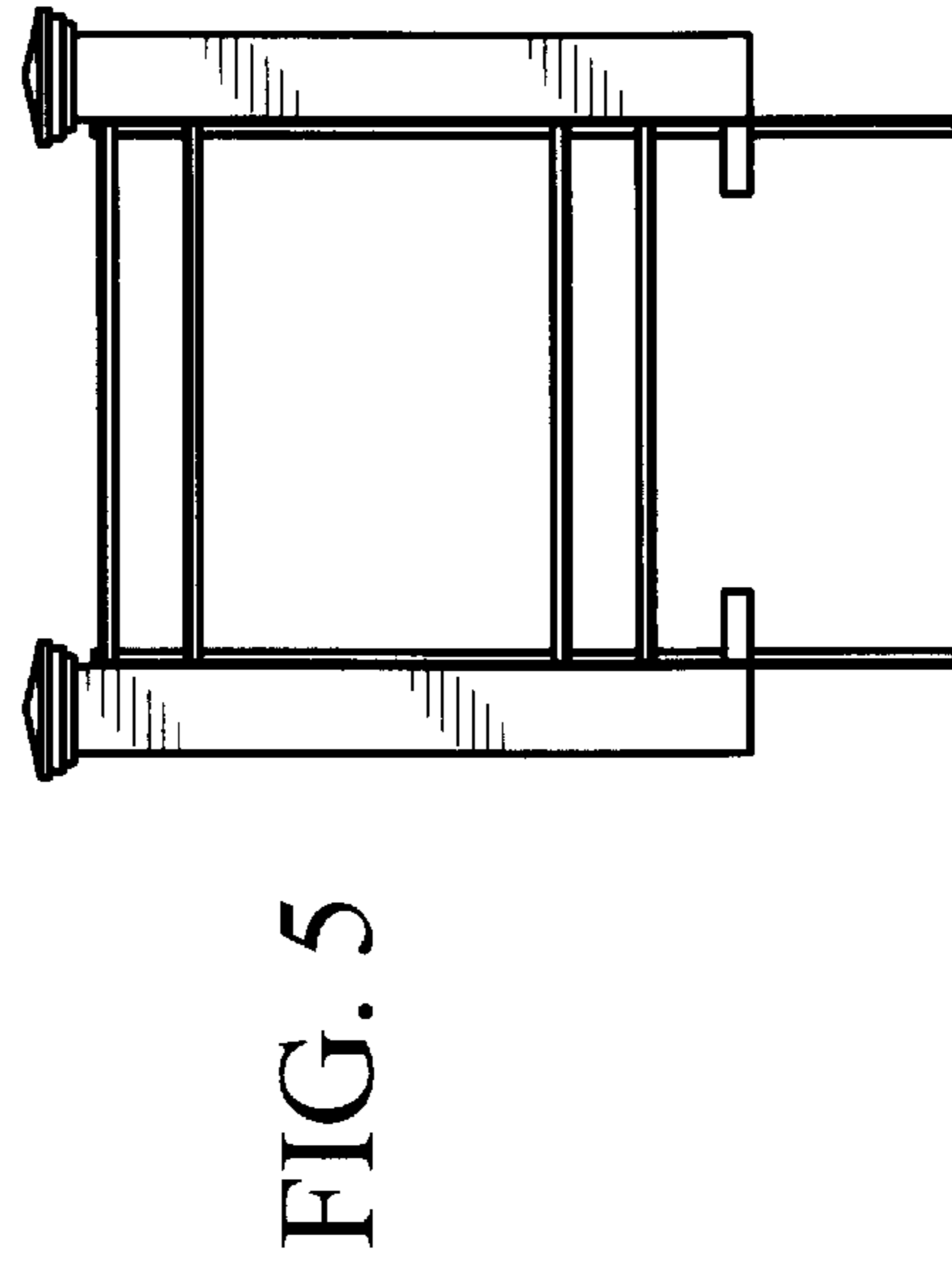
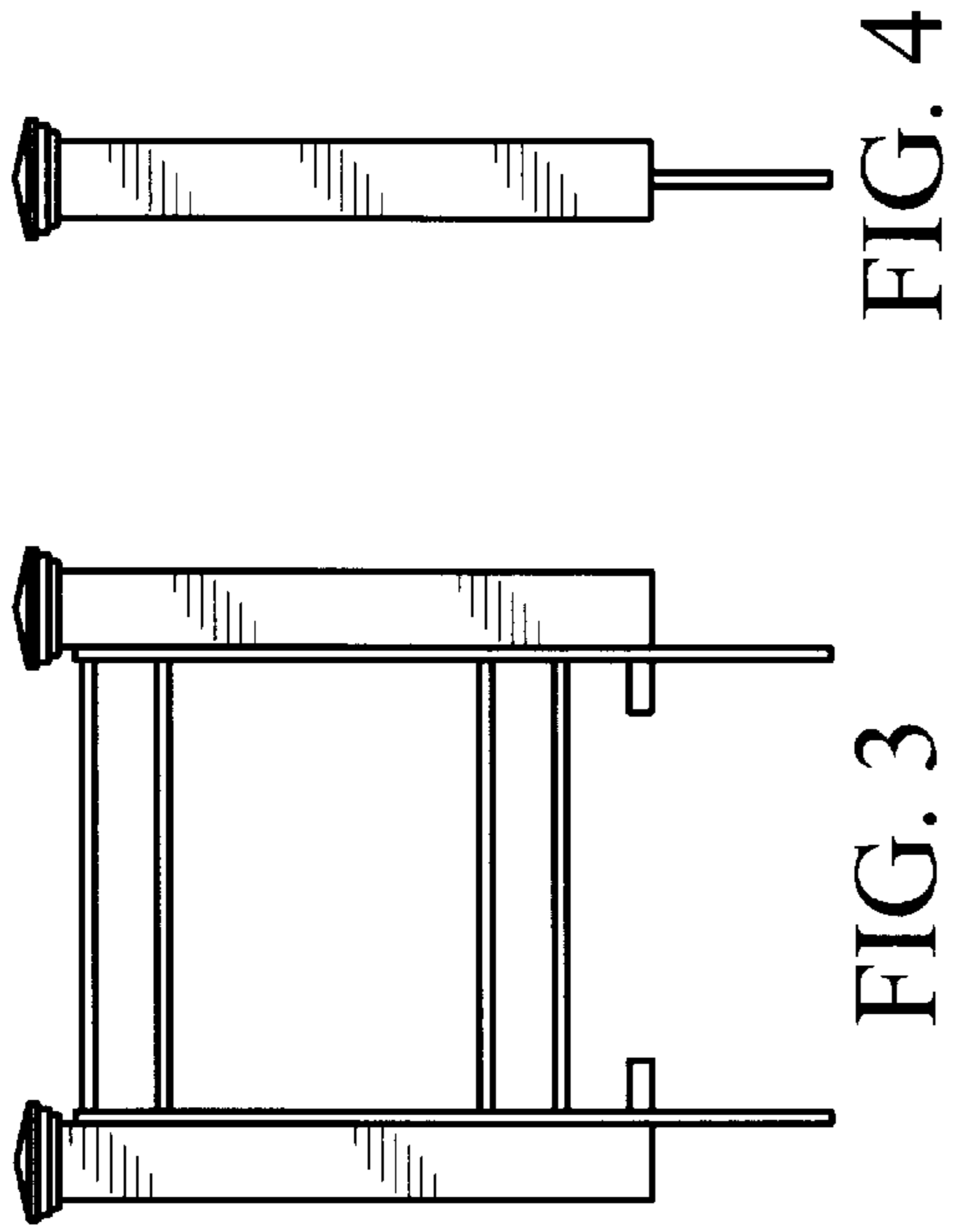


FIG. 2

FIG. 3

FIG. 4

FIG. 5

FIG. 1

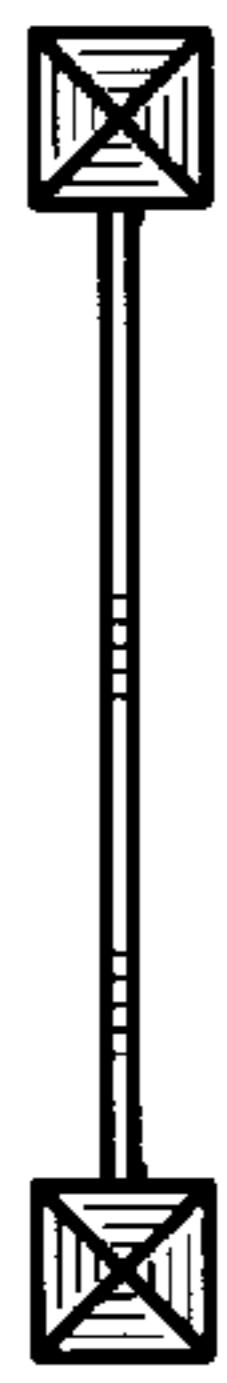


FIG. 7

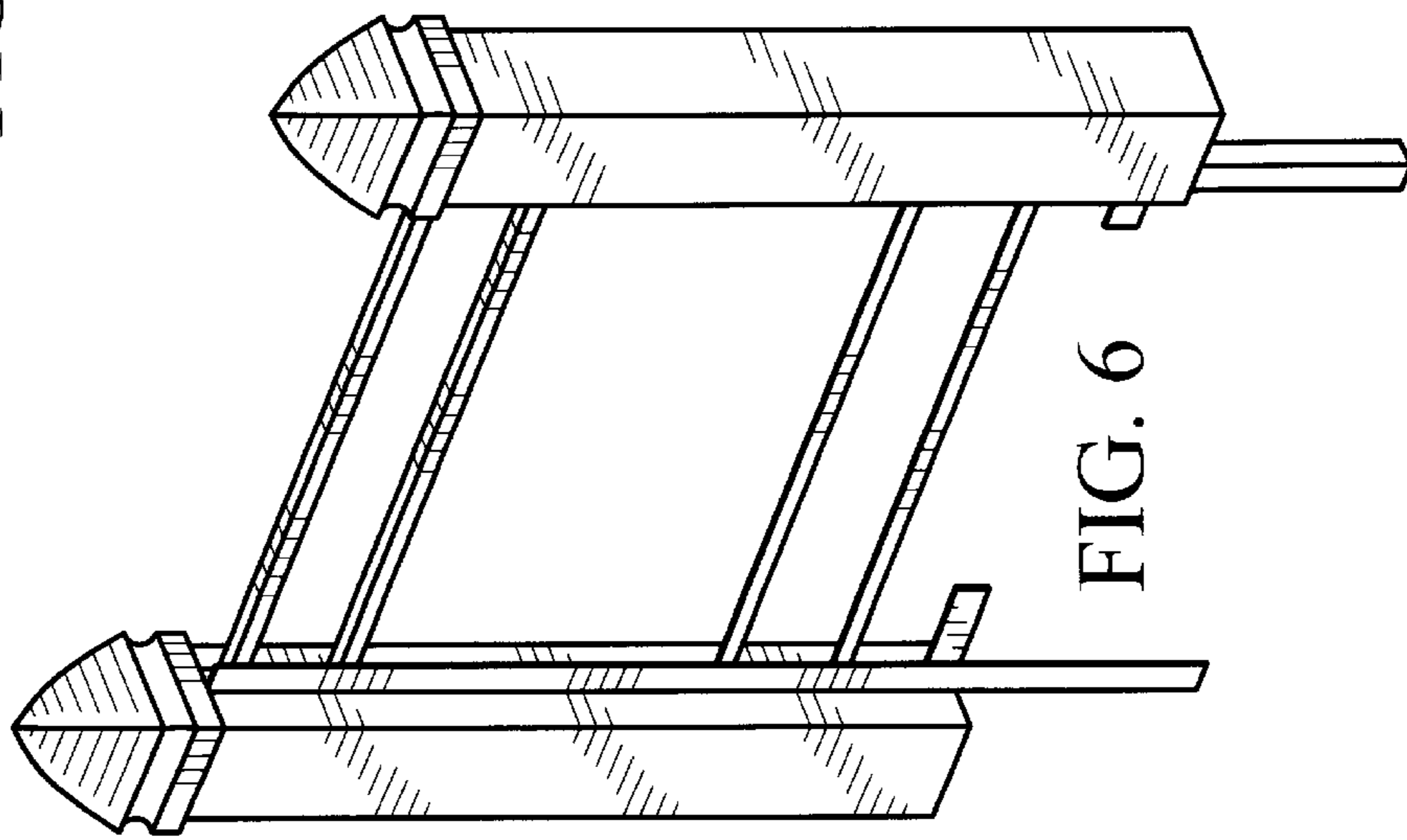


FIG. 6



FIG. 8

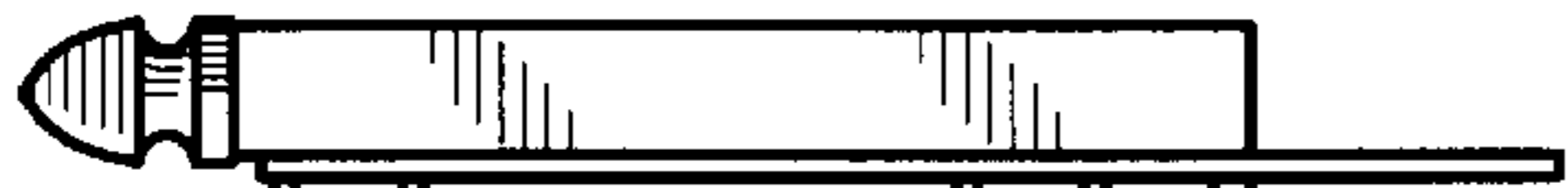


FIG. 9

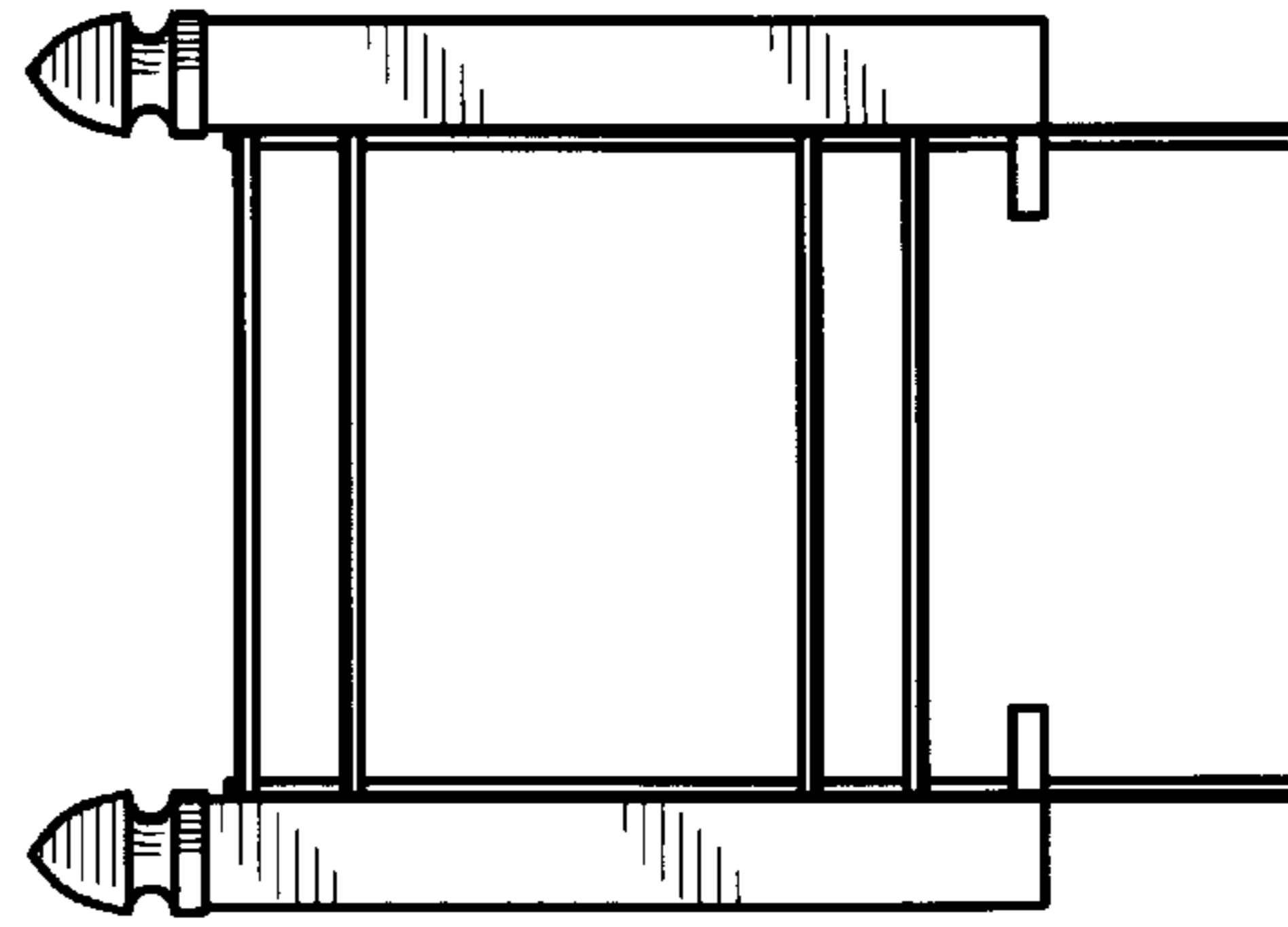


FIG. 10