



US00D533226S

(12) **United States Design Patent**
Middleton

(10) **Patent No.:** **US D533,226 S**

(45) **Date of Patent:** **** Dec. 5, 2006**

(54) **DRY ERASE DISPLAY UNIT**

(75) Inventor: **Bryan Middleton**, Aurora (CA)

(73) Assignee: **GCTII Solutions and Enterprises Ltd.**, Toronto (CA)

(**) Term: **14 Years**

(21) Appl. No.: **29/238,264**

(22) Filed: **Sep. 14, 2005**

(51) **LOC (8) Cl.** **19-06**

(52) **U.S. Cl.** **D19/52**

(58) **Field of Classification Search** D6/300,
D6/310, 311, 312, 509; D19/26, 27, 28, 36,
D19/37, 52; D20/88, 91, 10; 40/1, 124.01,
40/606.1, 611.02; 248/460, 463; 312/230,
312/231; 428/81; 434/408-424

See application file for complete search history.

(56) **References Cited**

U.S. PATENT DOCUMENTS

D255,745 S	*	7/1980	Pedersen	D6/311
D311,549 S	*	10/1990	Battisti	D19/26
D354,769 S	*	1/1995	Mehler et al.	D19/60
D369,829 S	*	5/1996	Tomita et al.	D19/26
D397,998 S	*	9/1998	Ambroe	D14/373
D462,843 S	*	9/2002	Chan	D6/310
6,632,042 B1	*	10/2003	Liener Chin et al.	402/79
D487,481 S	*	3/2004	Harris et al.	D19/26
D505,697 S	*	5/2005	Haddox	D19/52

* cited by examiner

Primary Examiner—Elizabeth A. Albert

(57) **CLAIM**

The ornamental design for a dry erase display unit, as shown and described.

DESCRIPTION

FIG. 1 is a front perspective view of the dry erase display unit showing my new design. The broken lines showing a pen at the left of the dry erase display unit and an article in the interior of the dry erase display unit are for illustrative purposes only and form no part of the claimed design;

FIG. 2 is a rear perspective view of the dry erase display unit of FIG. 1;

FIG. 3 is a left side elevational view of the dry erase display unit of FIG. 1;

FIG. 4 is a front elevational view of the dry erase display unit of FIG. 1;

FIG. 5 is a right side elevational view of the dry erase display unit of FIG. 1;

FIG. 6 is a rear elevational view of the dry erase display unit of FIG. 1;

FIG. 7 is a top plan view of the dry erase display unit of FIG. 1;

FIG. 8 is a bottom plan view of the dry erase display unit of FIG. 1;

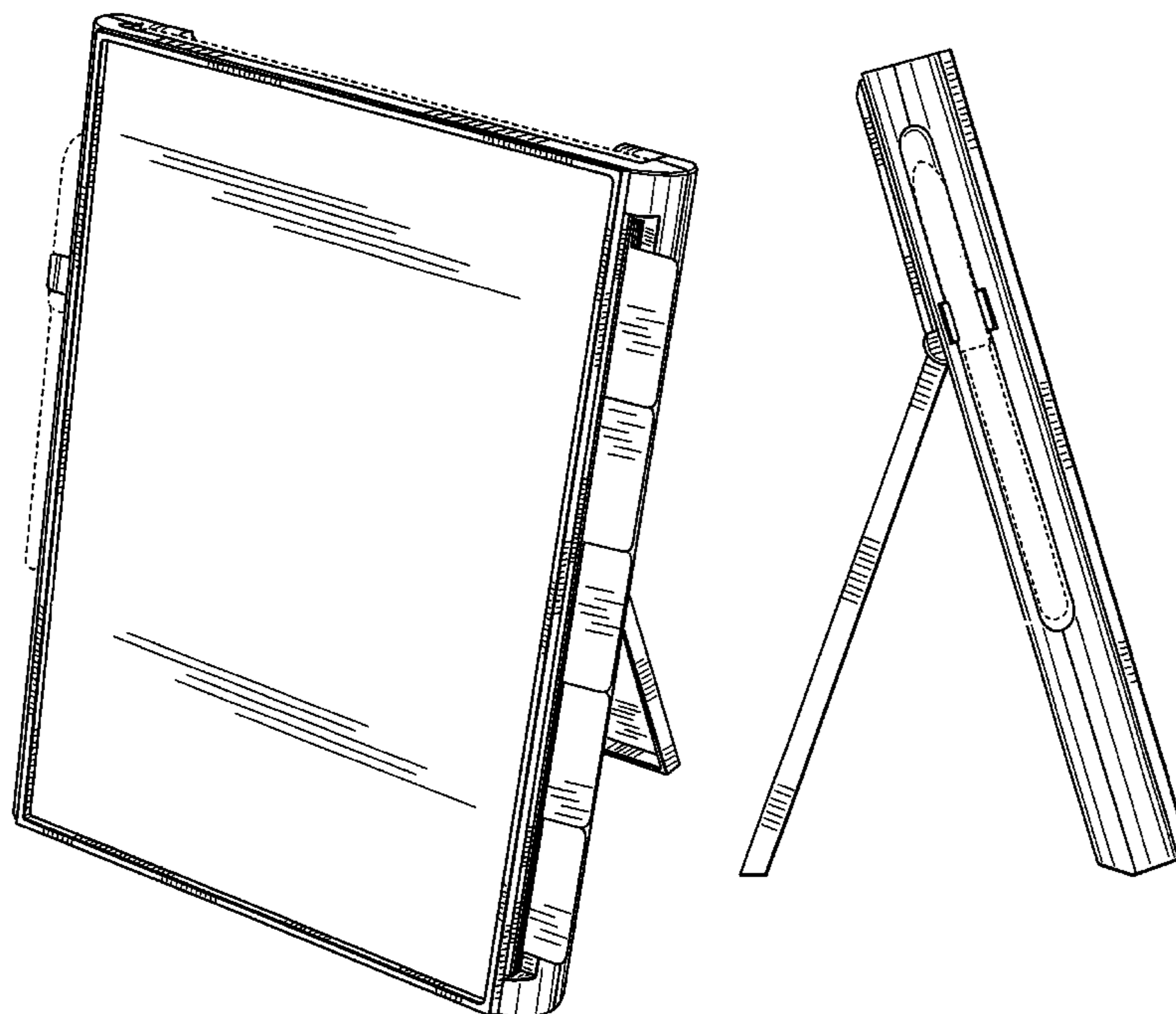
FIG. 9 is a rear perspective view of the dry erase display unit of FIG. 1 in a closed configuration;

FIG. 10 is a front perspective view of the dry erase display unit of FIG. 1 in a configuration in which a sliding tab has been extended;

FIG. 11 is a front perspective view of the dry erase display unit of FIG. 1 showing the insertion/removal of an article in the interior of the dry erase display unit; and,

FIG. 12 is a front perspective view of the dry erase display unit of FIG. 1 in a configuration without sliding tabs.

1 Claim, 9 Drawing Sheets



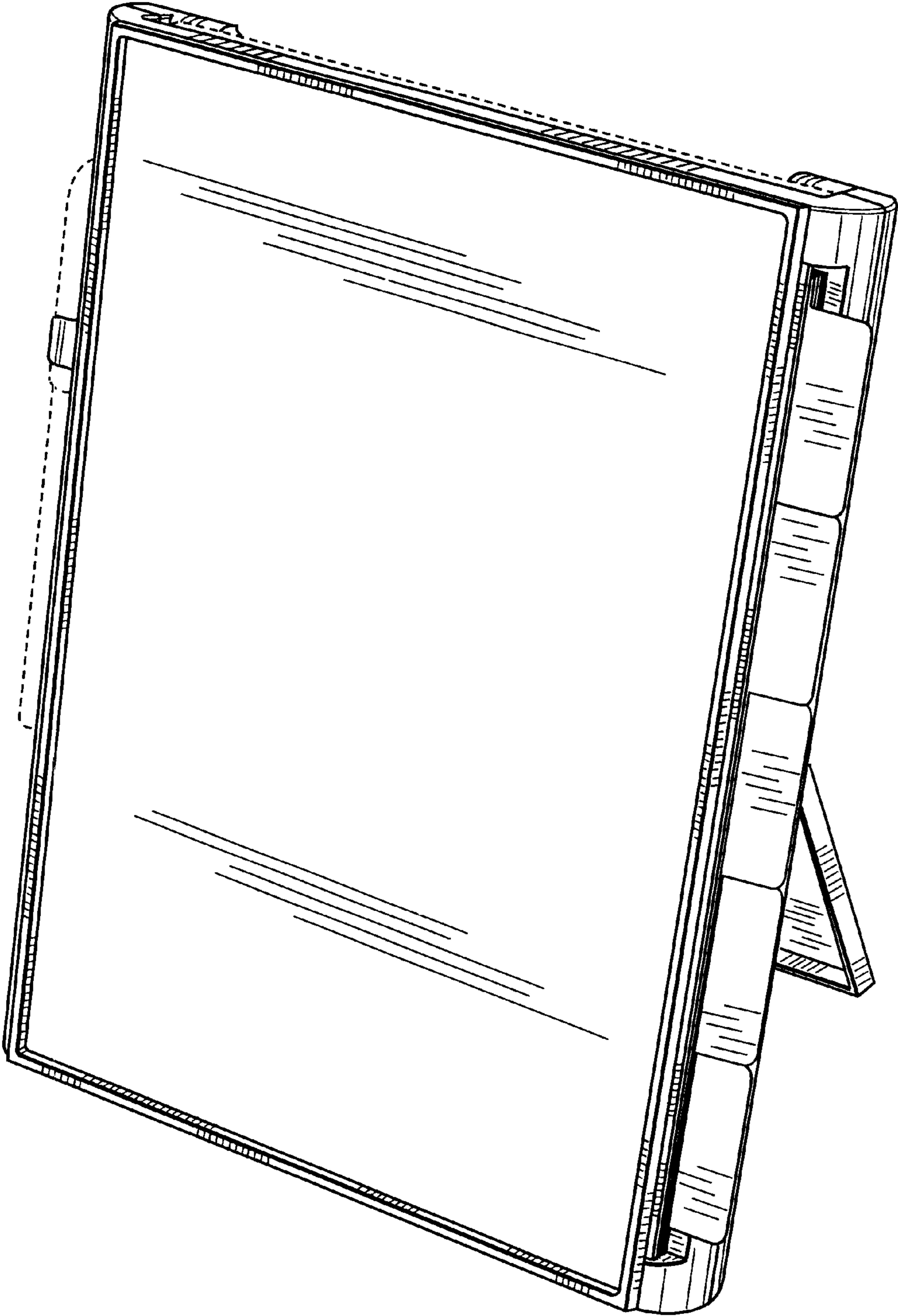


FIG. 1

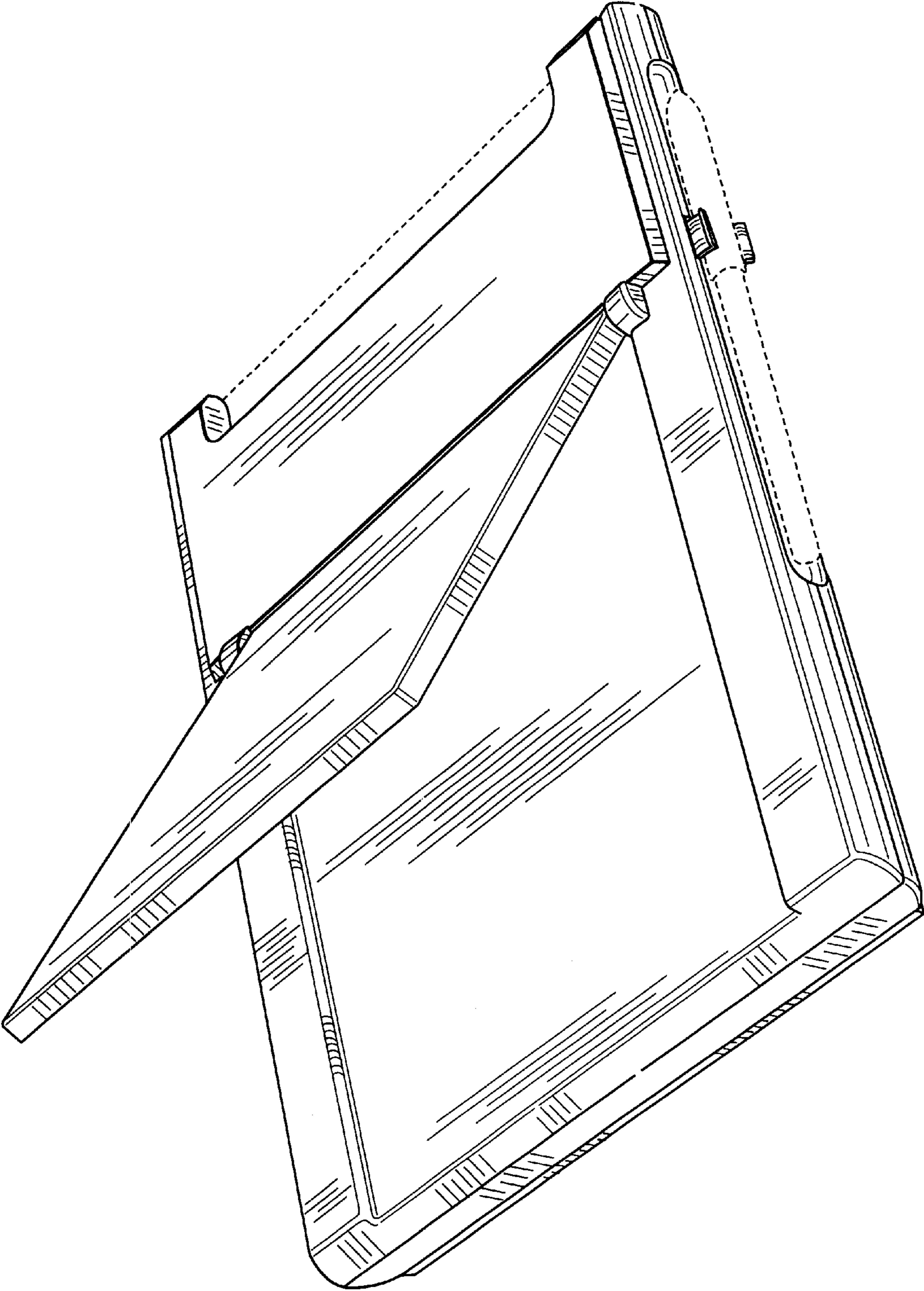


FIG. 2

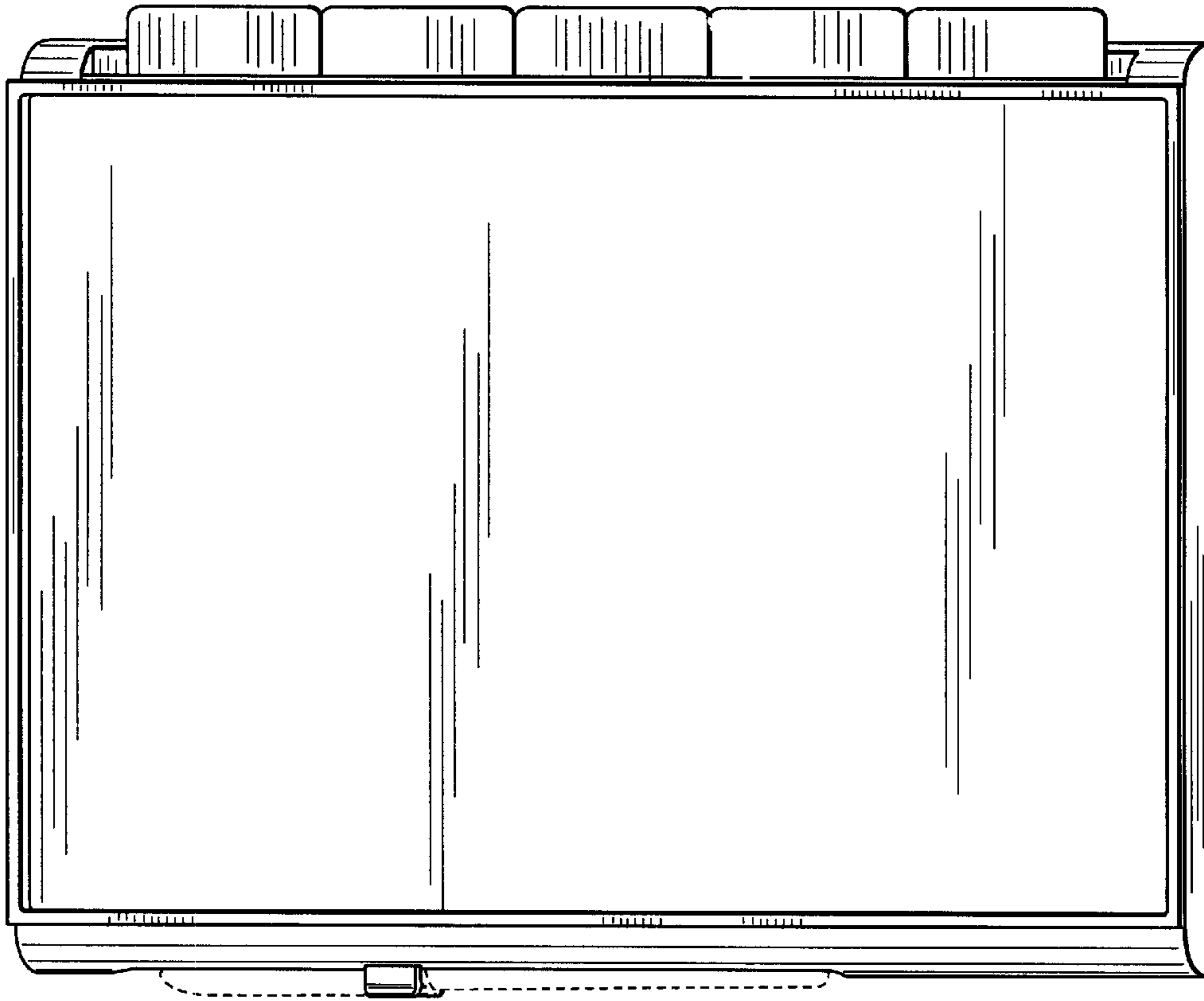


FIG. 4

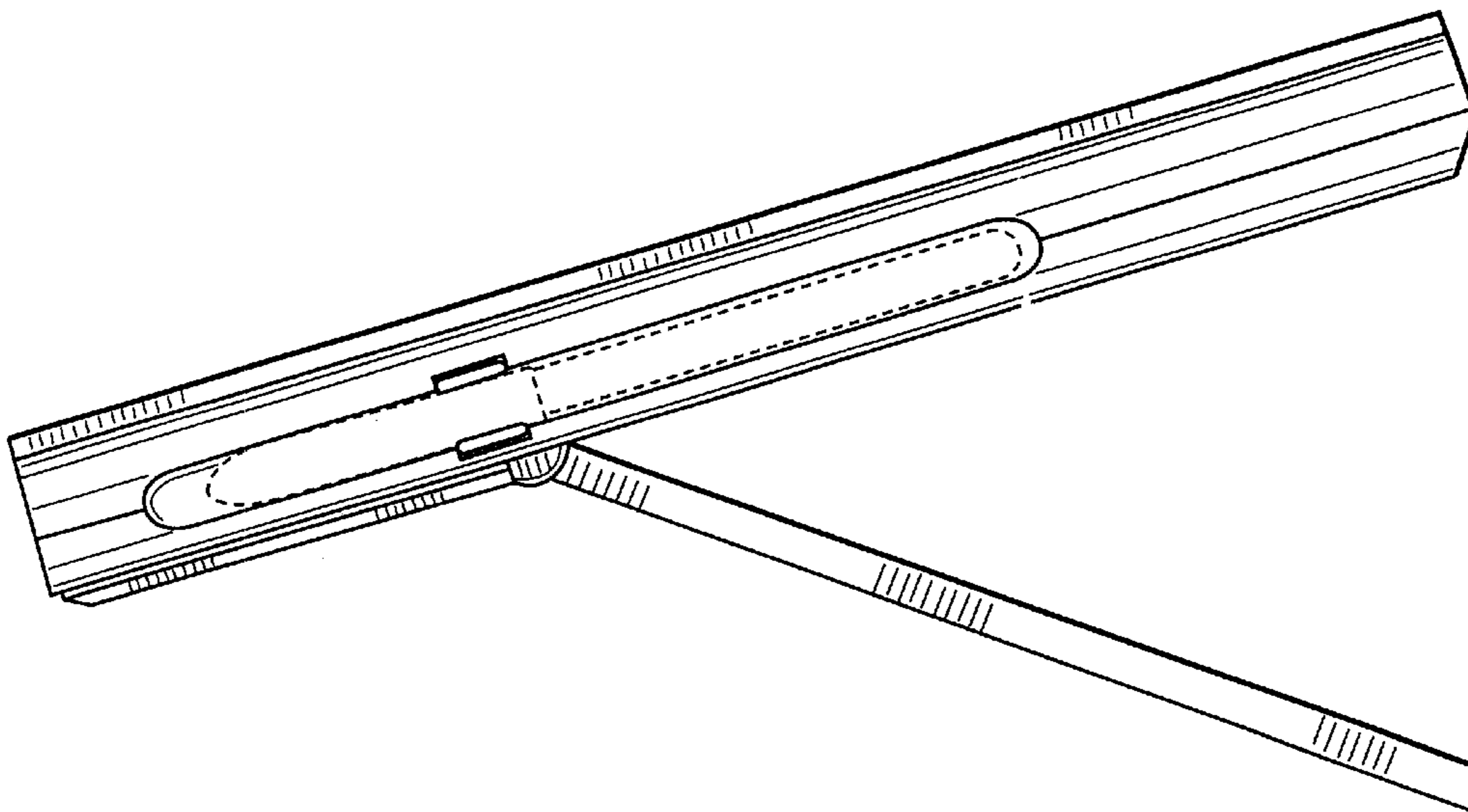


FIG. 3

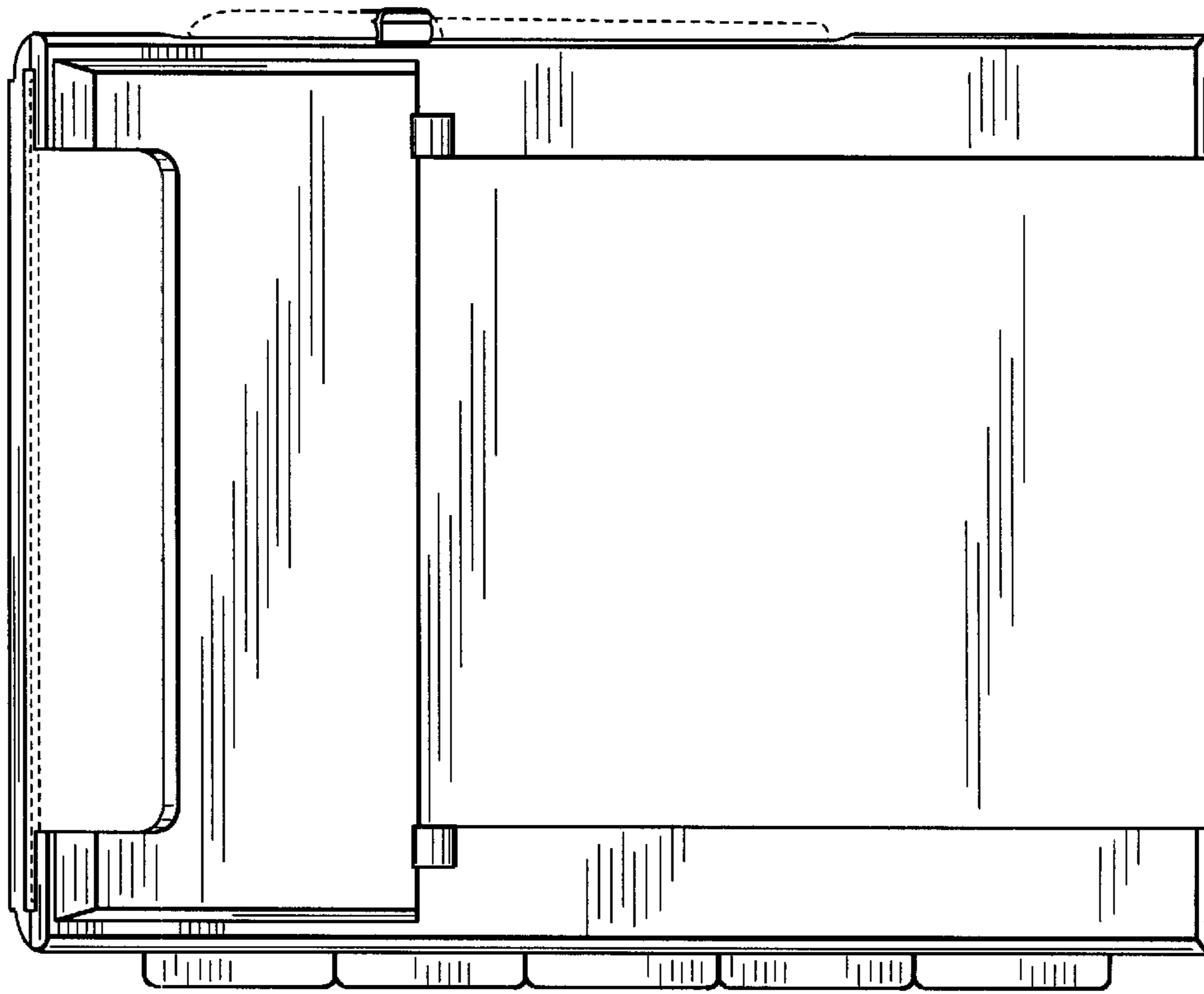


FIG. 6

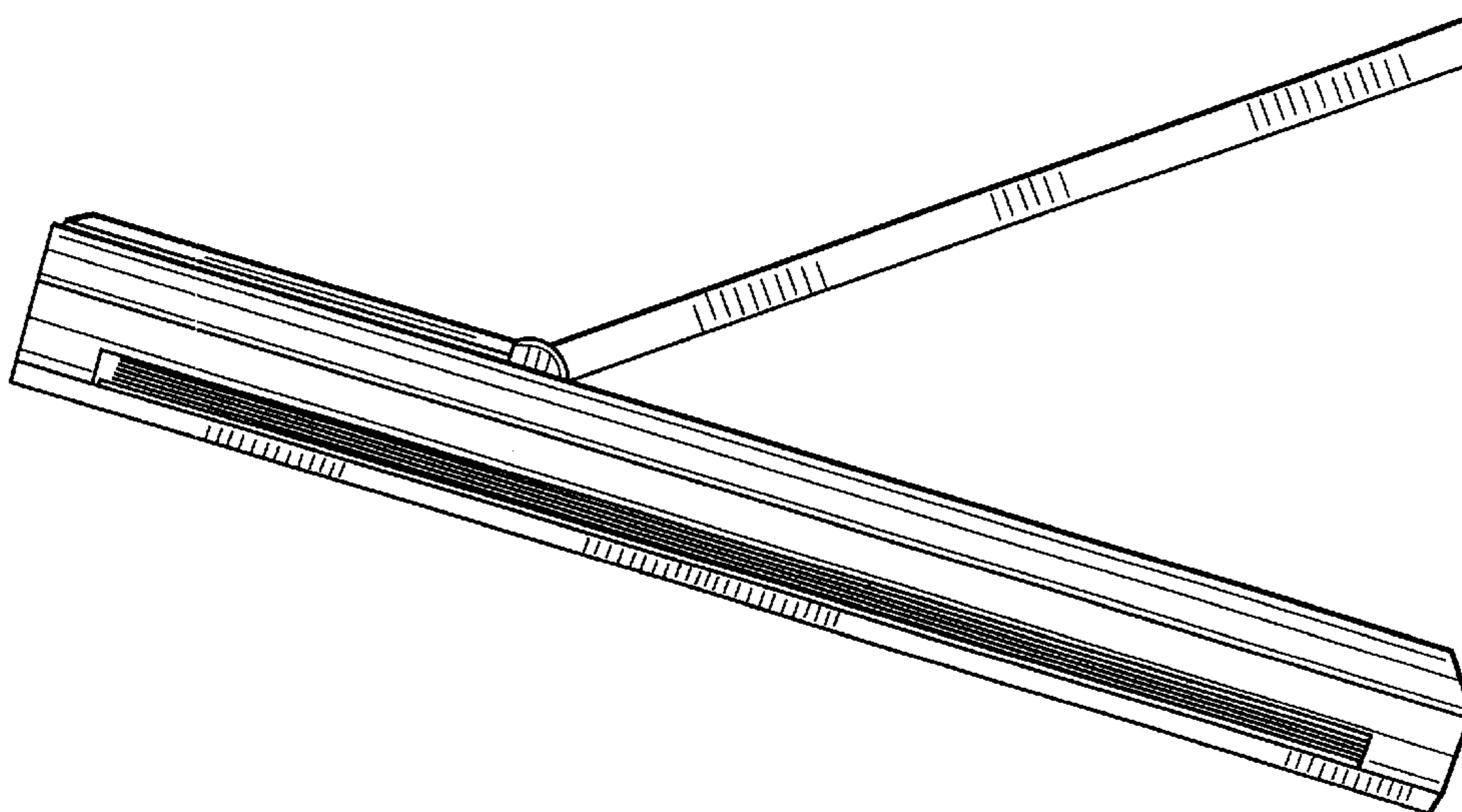


FIG. 5

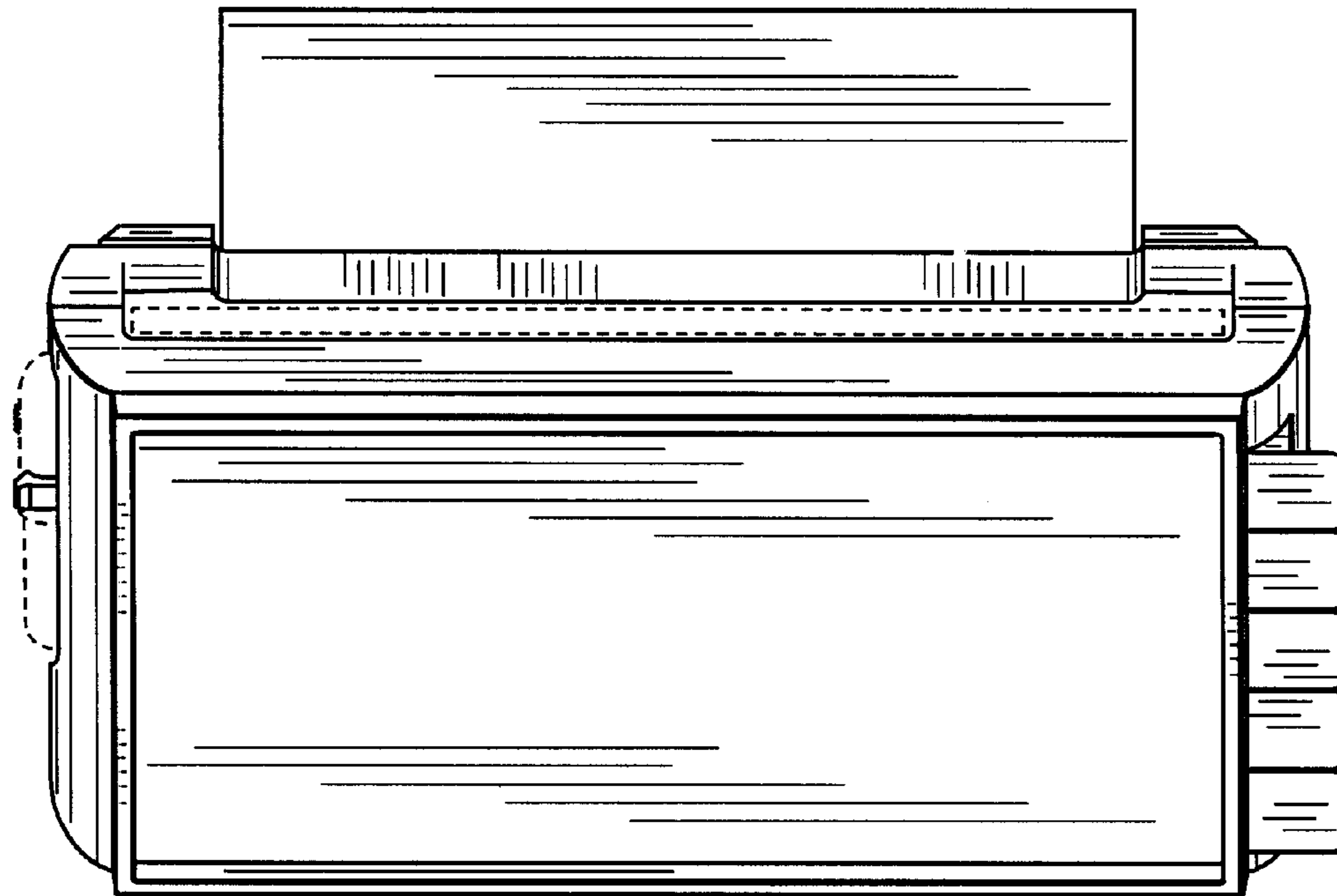


FIG. 7

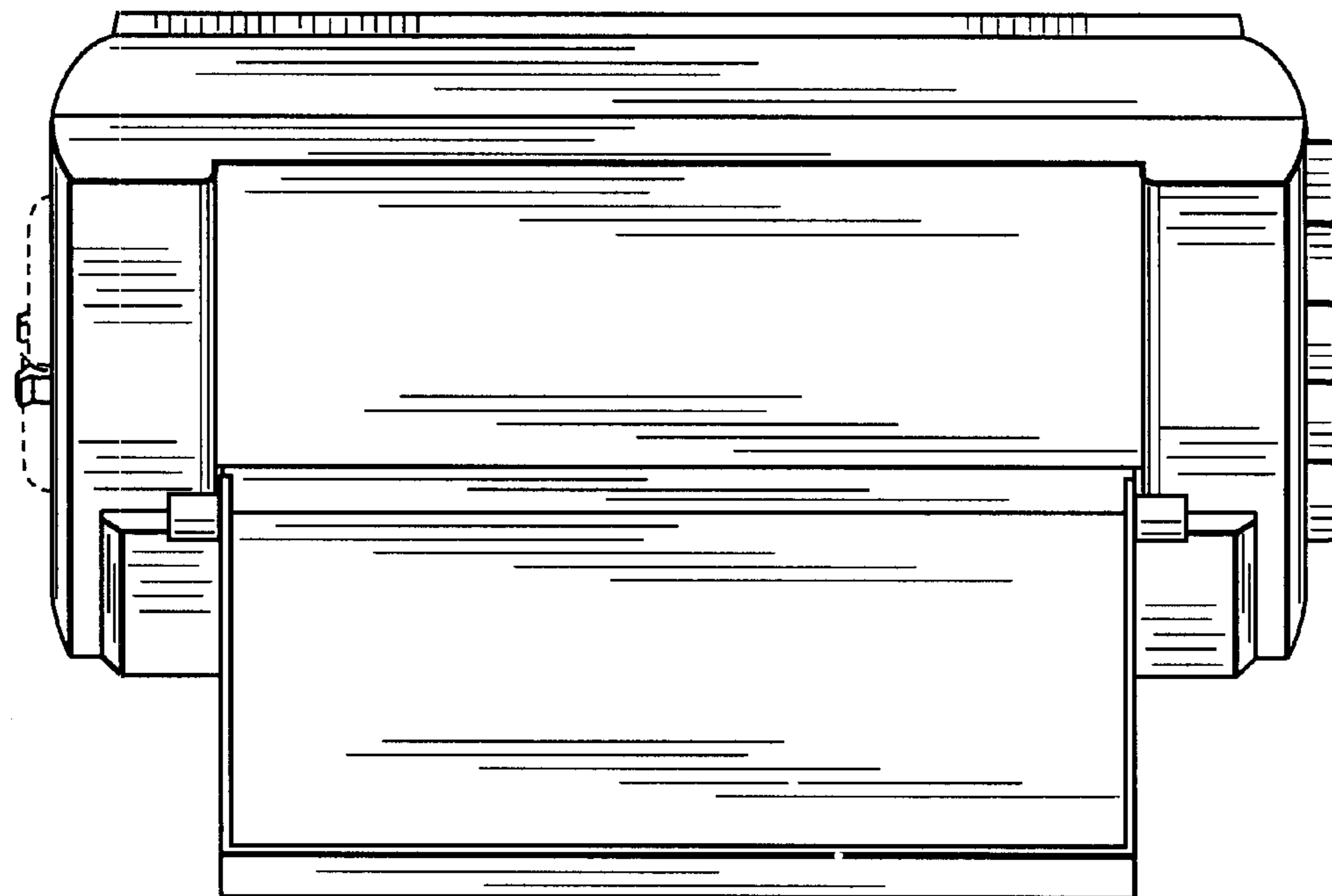


FIG. 8

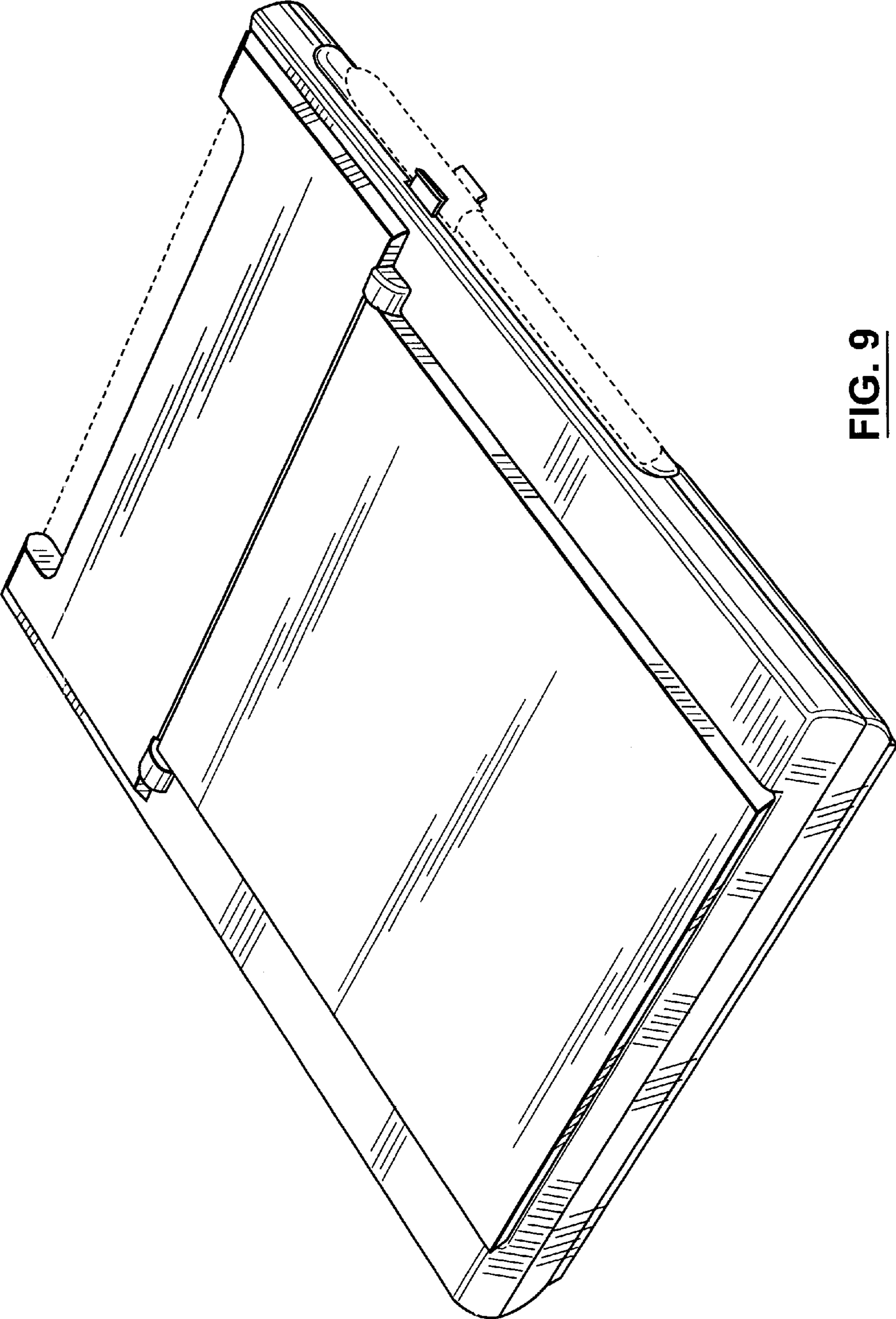


FIG. 9

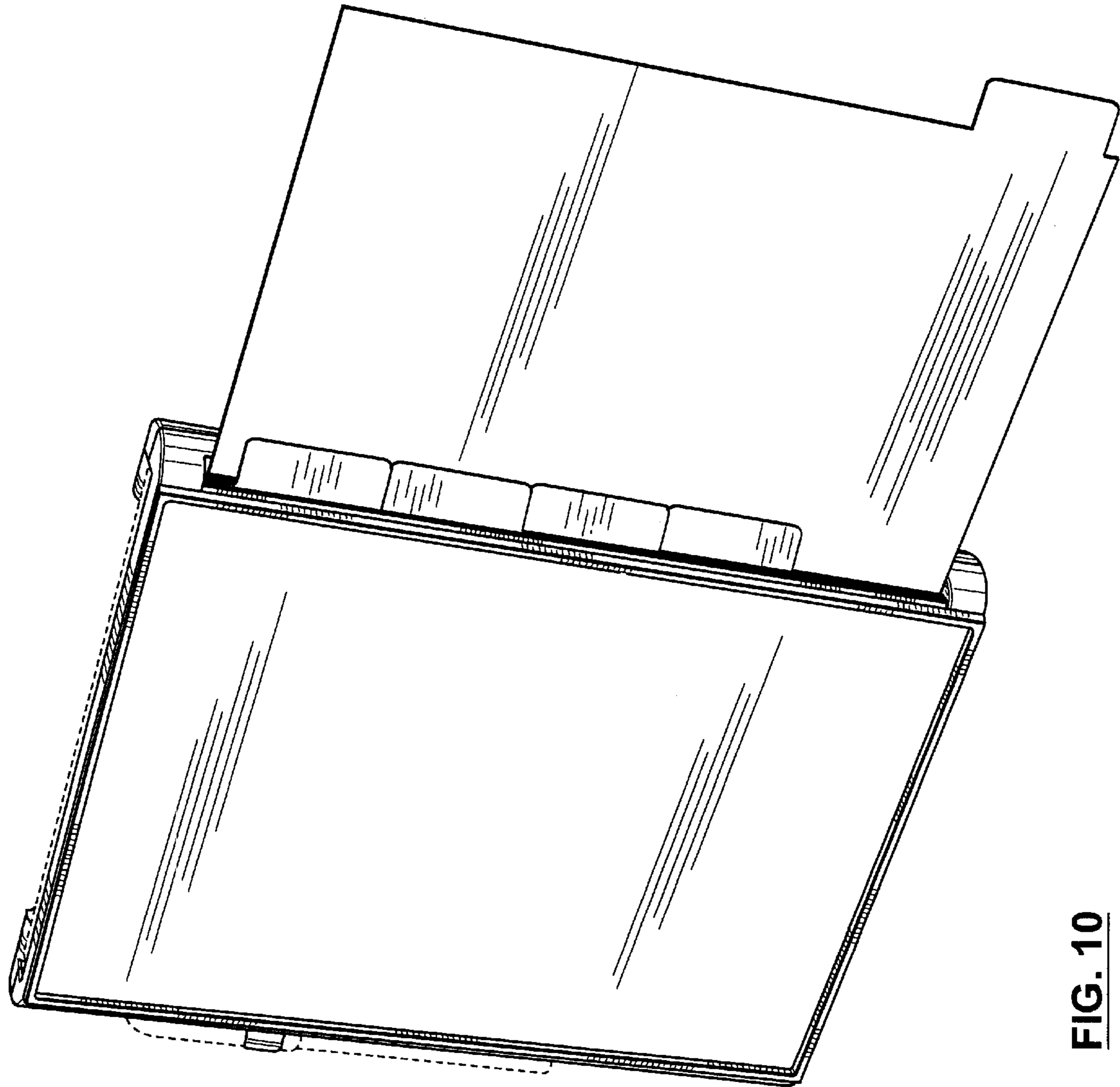


FIG. 10

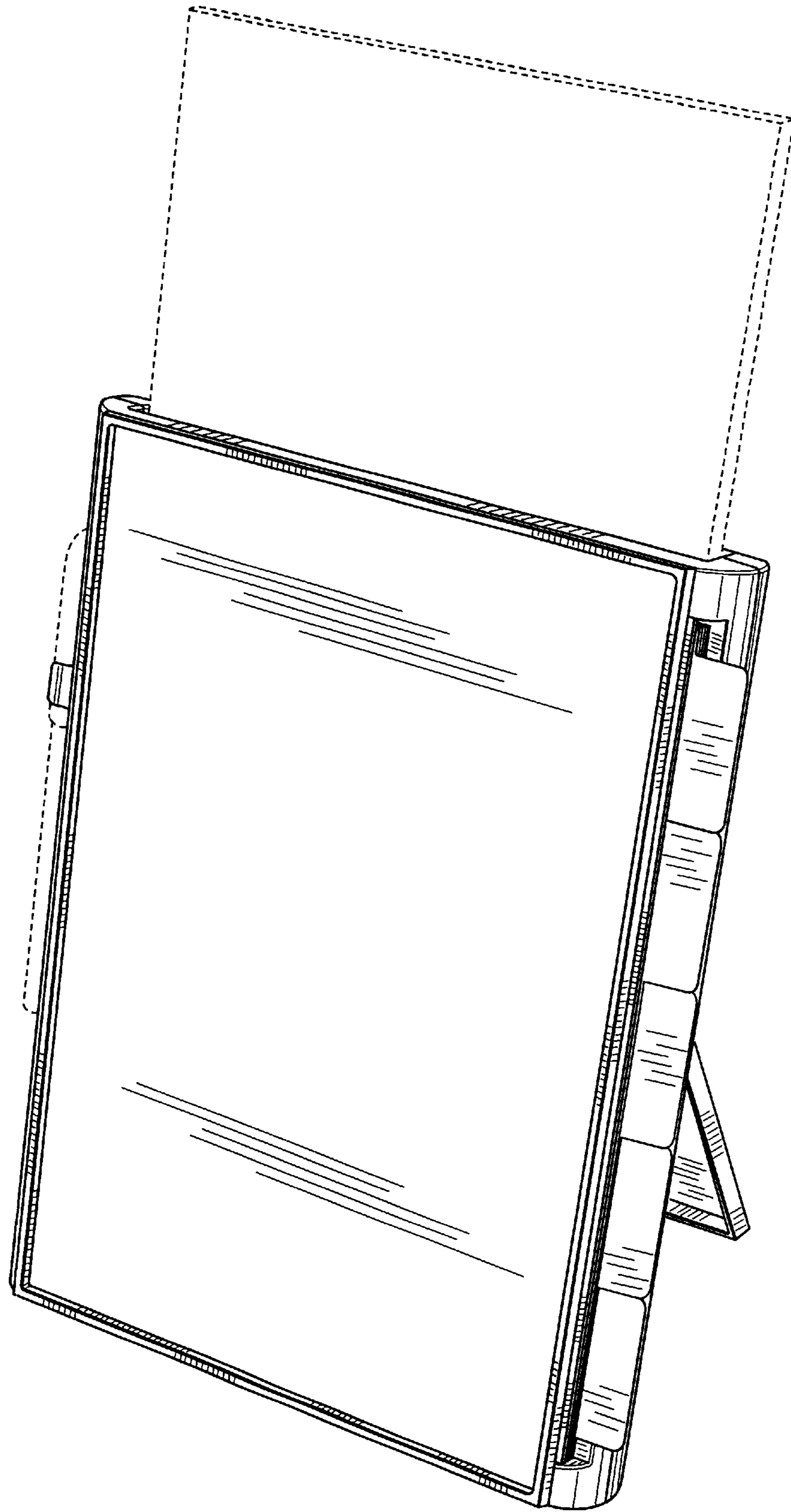


FIG. 11

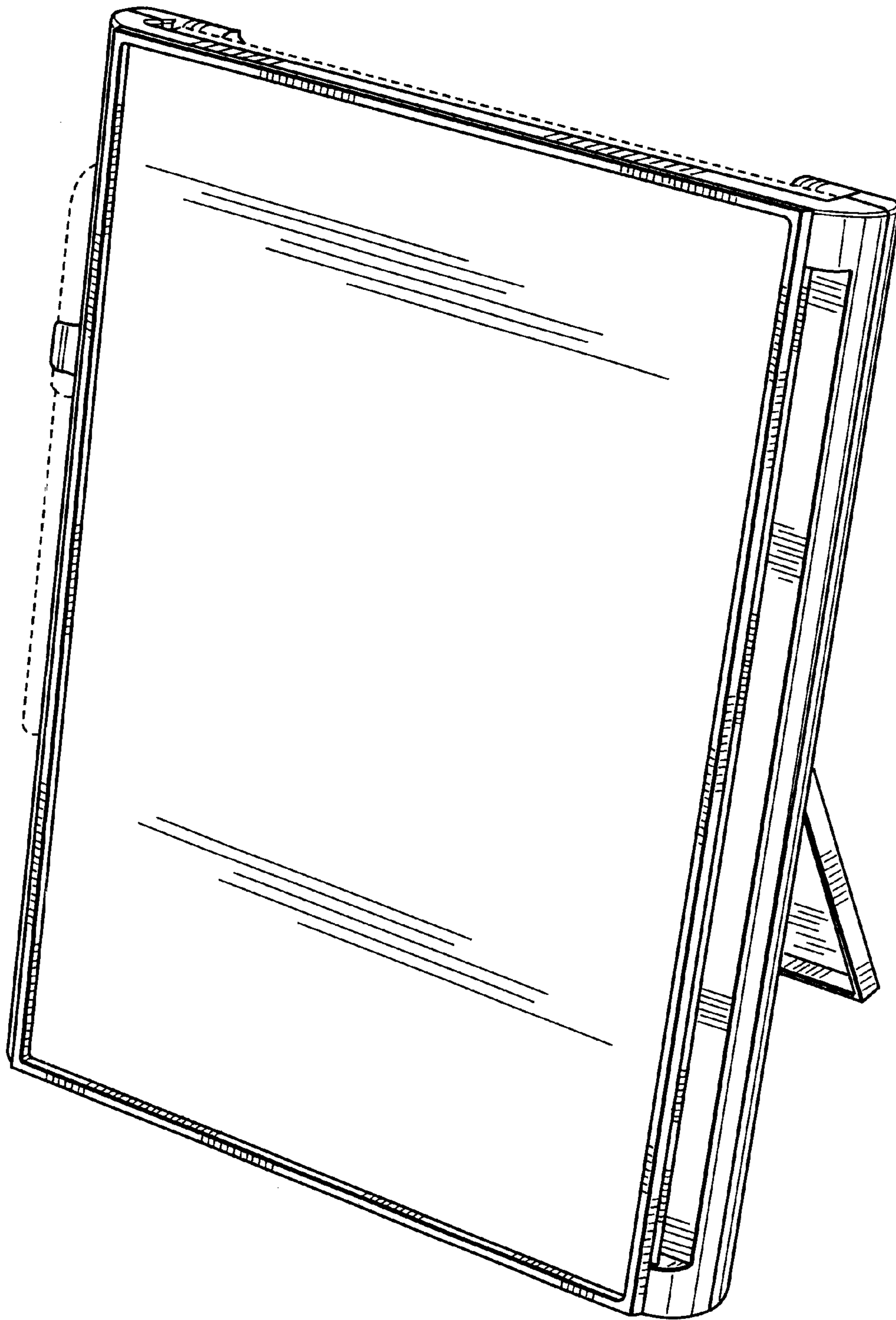


FIG. 12