



US00D533223S

(12) **United States Design Patent** (10) **Patent No.:** **US D533,223 S**
Smith (45) **Date of Patent:** **** Dec. 5, 2006**

(54) **PAIRED BOOKENDS**

(76) Inventor: **Stephen F. Smith**, 2311 Bottle Bay Rd., Sagle, ID (US) 83860

(**) Term: **14 Years**

(21) Appl. No.: **29/255,958**

(22) Filed: **Mar. 14, 2006**

(51) **LOC (8) Cl.** **19-99**

(52) **U.S. Cl.** **D19/34.3**

(58) **Field of Classification Search** D19/34.1-34.5;
211/42-43; 248/441.1; D22/137-143; 43/18 R,
43/18.5, 20, 25

See application file for complete search history.

(56) **References Cited**

U.S. PATENT DOCUMENTS

D61,430	S	*	8/1922	Wunsch	D19/34.3
D198,918	S	*	8/1964	Biallas	D19/34.3
3,150,879	A		9/1964	Head		
3,165,204	A	*	1/1965	Spencer	211/42
3,561,782	A		2/1971	Tyrack		
D243,265	S		2/1977	Koblick		
D257,806	S		1/1981	Maune		
D260,029	S	*	7/1981	Gehrke	D22/140
4,316,620	A		2/1982	Wien		
D263,410	S		3/1982	Wien		
4,596,405	A		6/1986	Jones		
4,645,235	A		2/1987	Joseph		
4,874,099	A	*	10/1989	Arnott et al.	211/50
5,294,152	A		3/1994	Jacobs		
D349,748	S	*	8/1994	Lucero	D22/139
D356,352	S		3/1995	Johnson		
D362,017	S		9/1995	McConnell		
5,505,492	A		4/1996	Nelson		
5,538,285	A		7/1996	Goode		
5,592,773	A	*	1/1997	Perry	43/25
D379,401	S	*	5/1997	Cobb	D22/142
D388,823	S	*	1/1998	Bright	D19/34.1

6,152,491	A		11/2000	Queentry		
D522,056	S	*	5/2006	Smith	D19/34.3
2001/0011817	A1		8/2001	Zaltron		
2004/0178621	A1		9/2004	Martin		

* cited by examiner

Primary Examiner—Robert A. Delehanty

Assistant Examiner—Mark Cavanna

(74) *Attorney, Agent, or Firm*—Wells St. John P.S.

(57) **CLAIM**

I claim the ornamental design of the paired bookends, showing my new design.

DESCRIPTION

FIG. 1 is a perspective view of the paired bookends showing my new design. The broken lines showing books form no part of the claimed design;

FIG. 2 is a left side view of the left half of the paired bookend thereof;

FIG. 3 is a left side view of the right half of the paired bookend thereof;

FIG. 4 is a right side view of the left half of the paired bookend thereof;

FIG. 5 is a right side view of the right half of the paired bookend thereof;

FIG. 6 is a top view of the left half of the paired bookend thereof;

FIG. 7 is a top view of the right half of the paired bookend thereof;

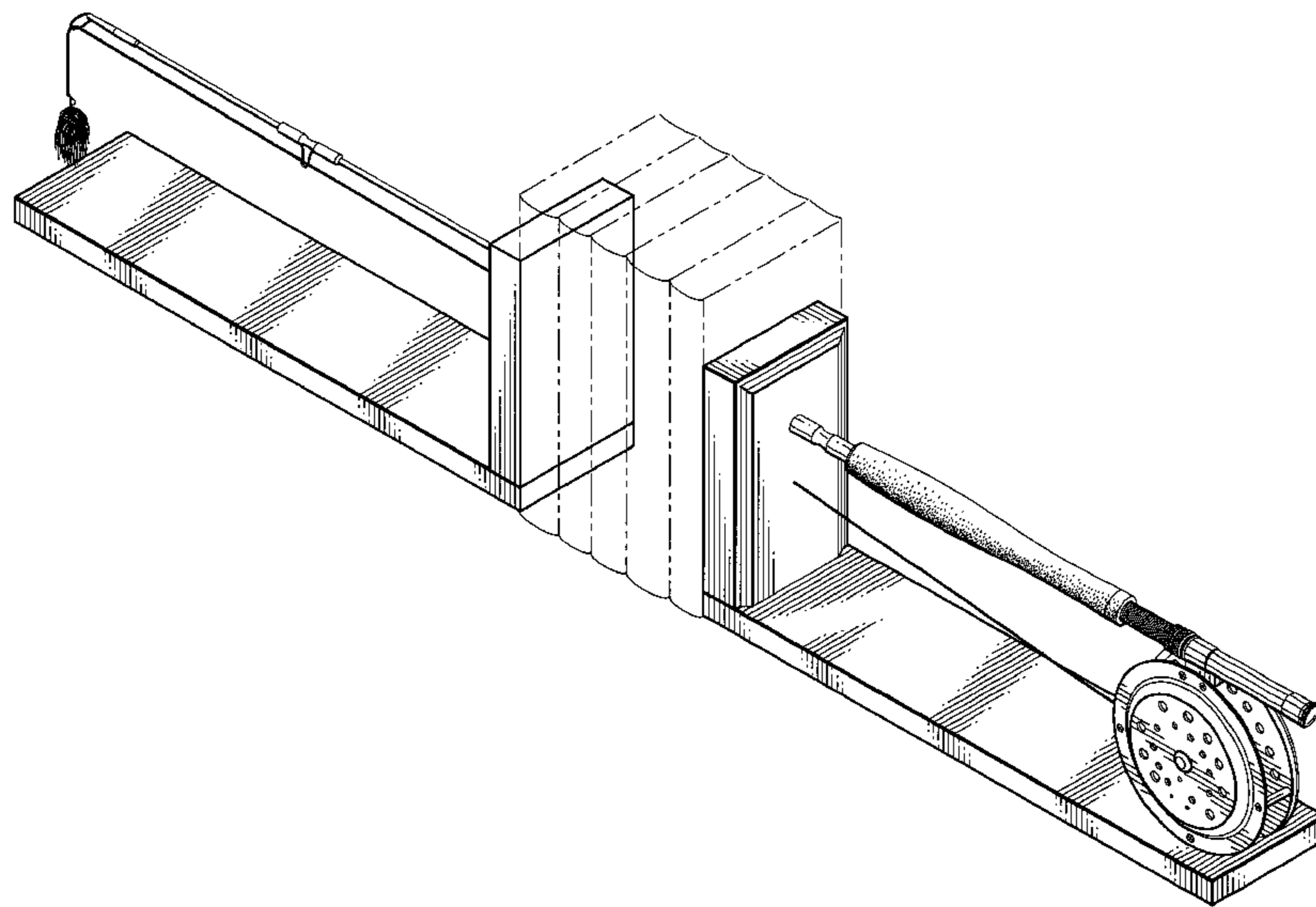
FIG. 8 is a bottom view of the left half of the paired bookend thereof;

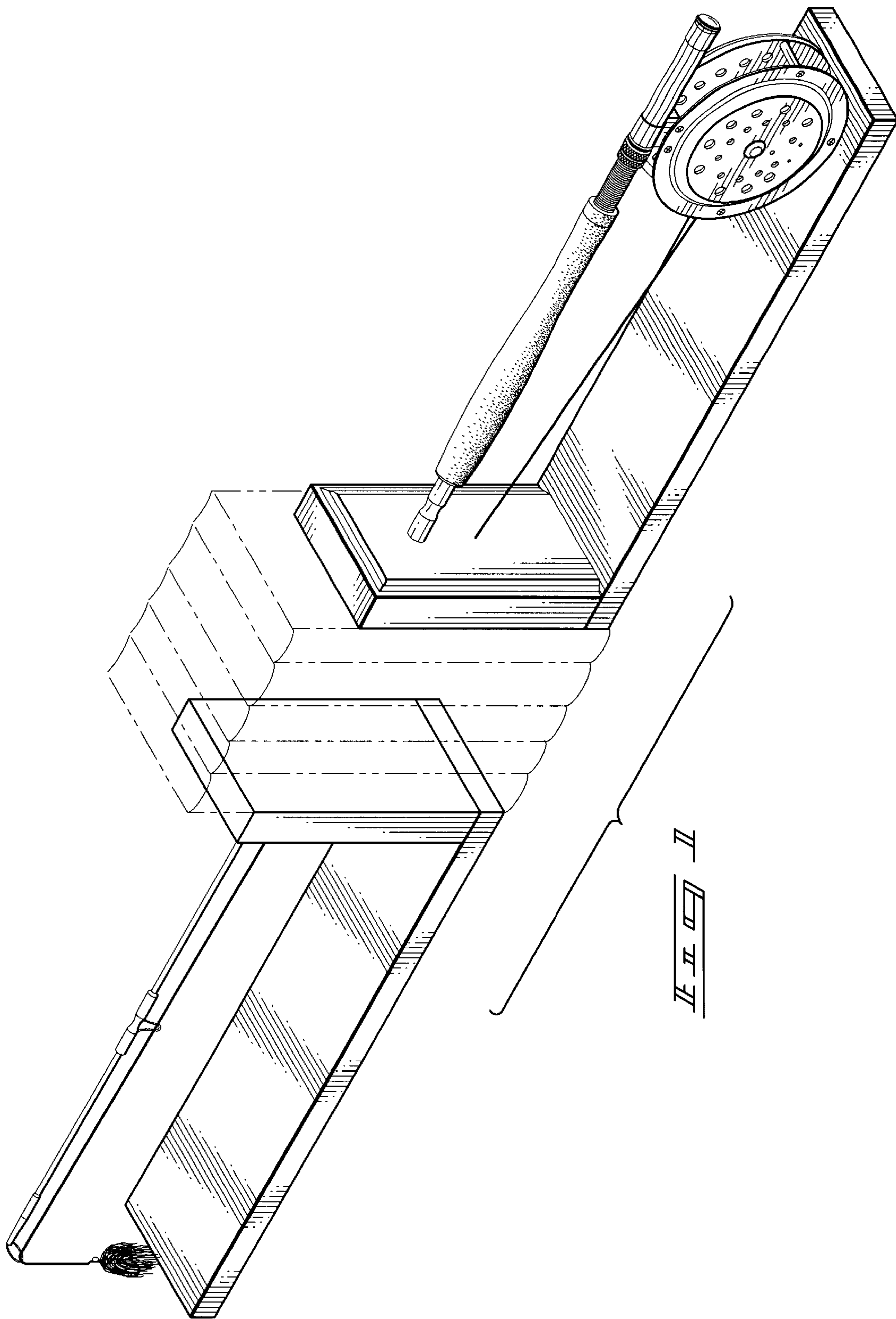
FIG. 9 is a bottom view of the right half of the paired bookend thereof;

FIG. 10 is a front view of the left half of the paired bookend thereof; and,

FIG. 11 is a back view of the right half of the paired bookend thereof.

1 Claim, 10 Drawing Sheets





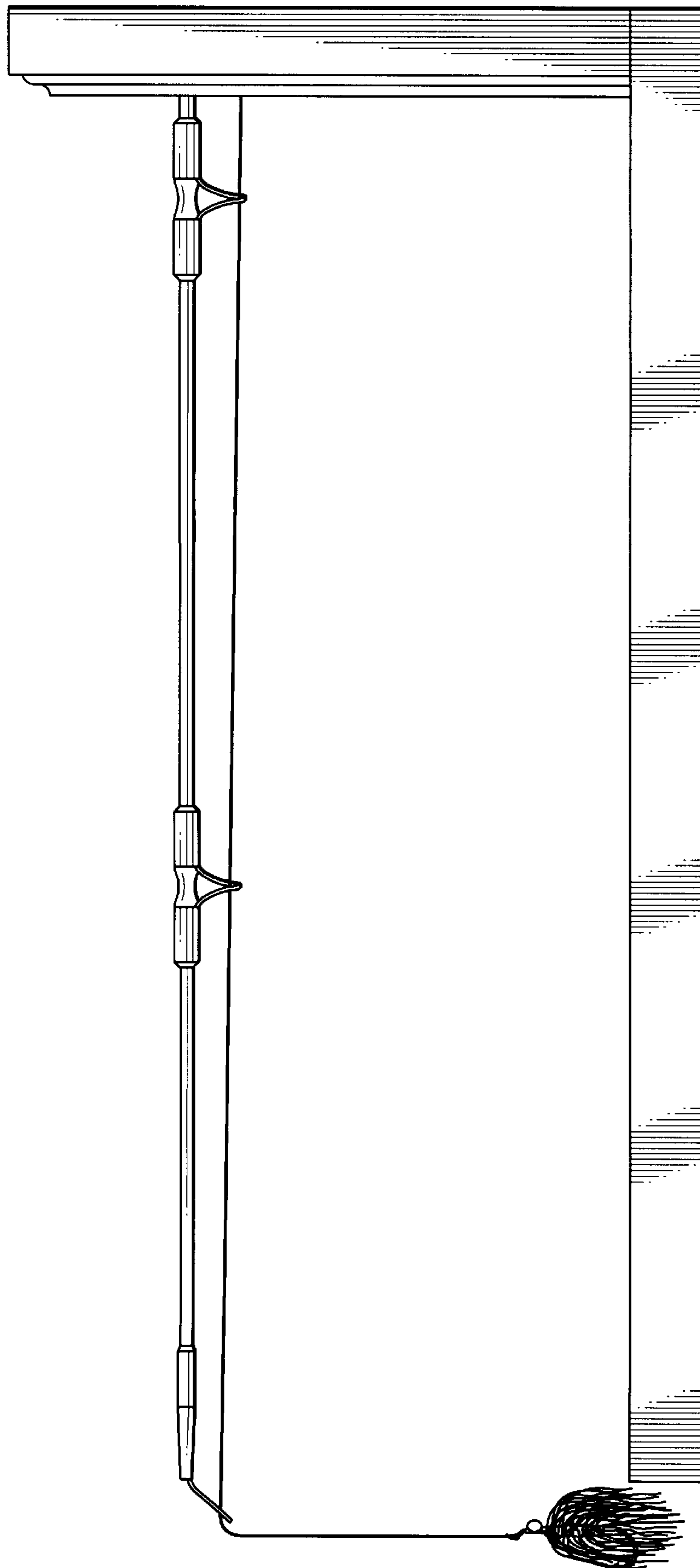
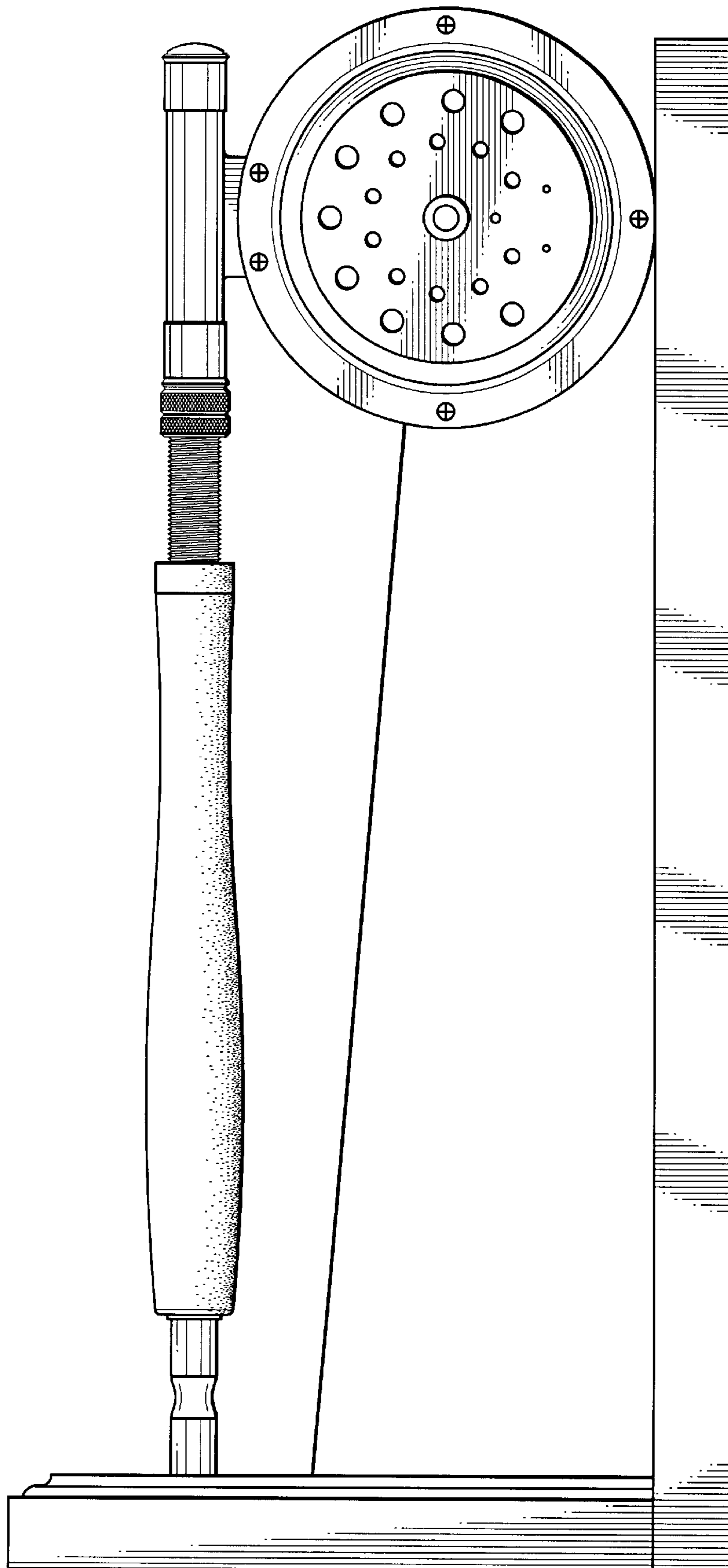


FIG. 2



E *U* *U* *U*

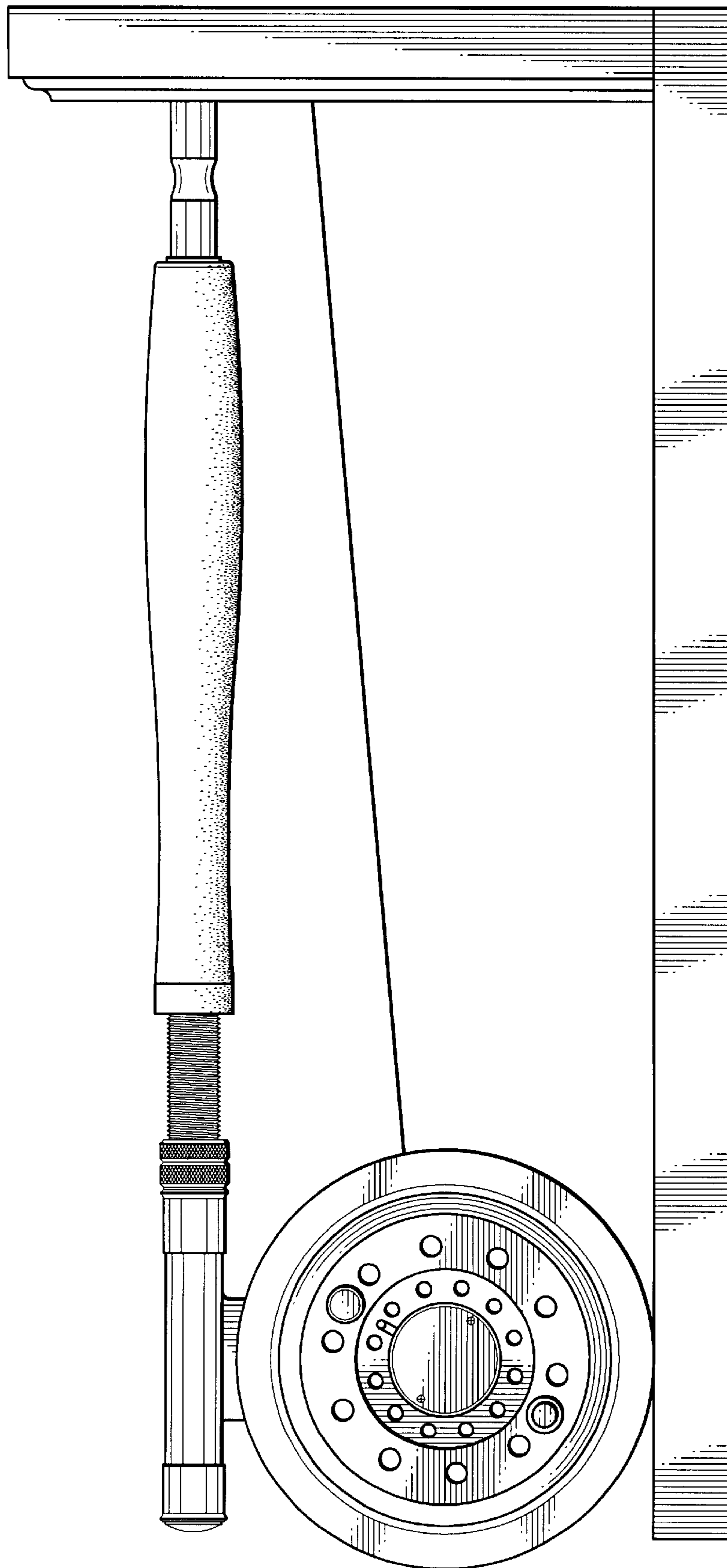
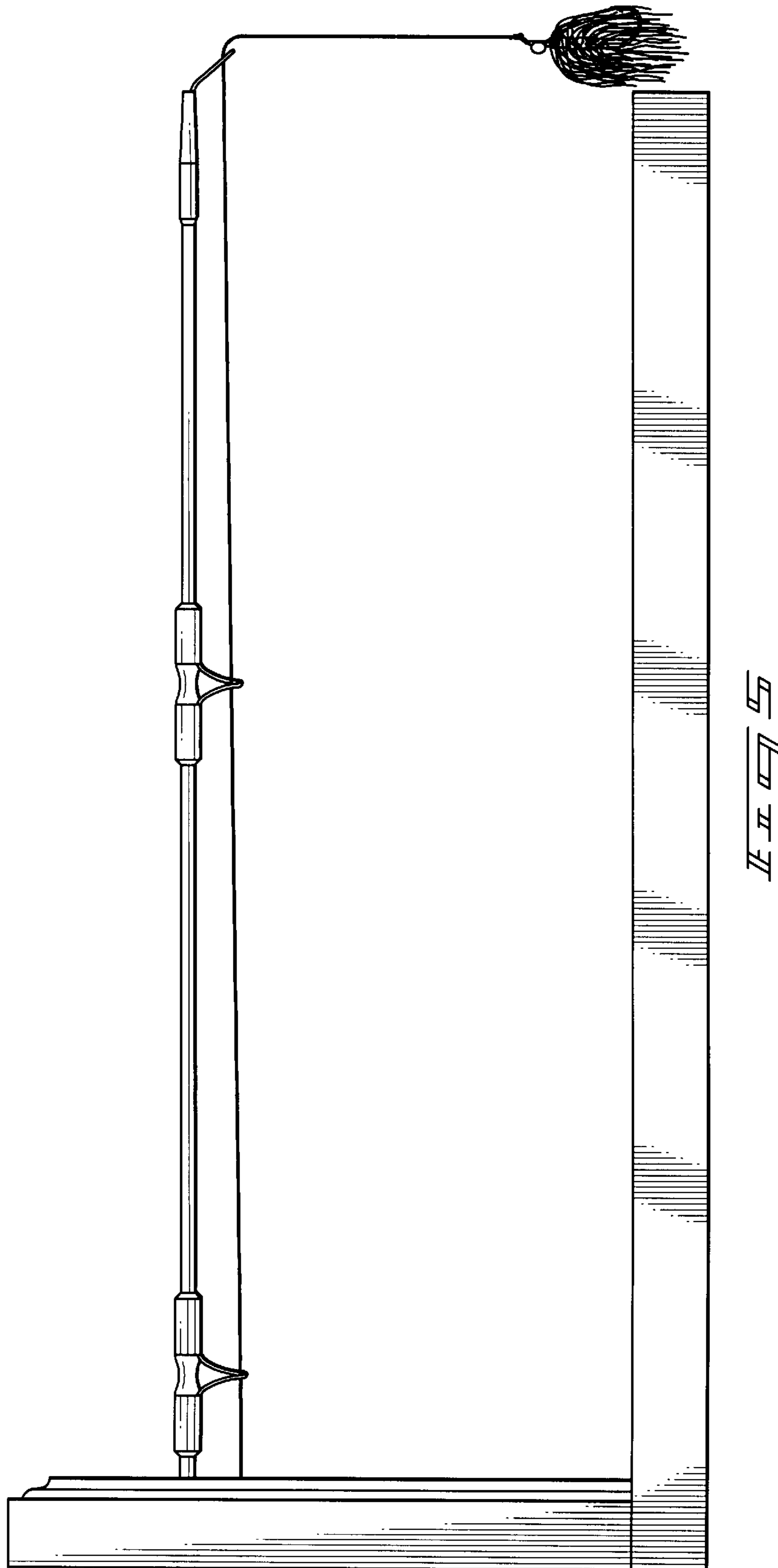


FIG. 4



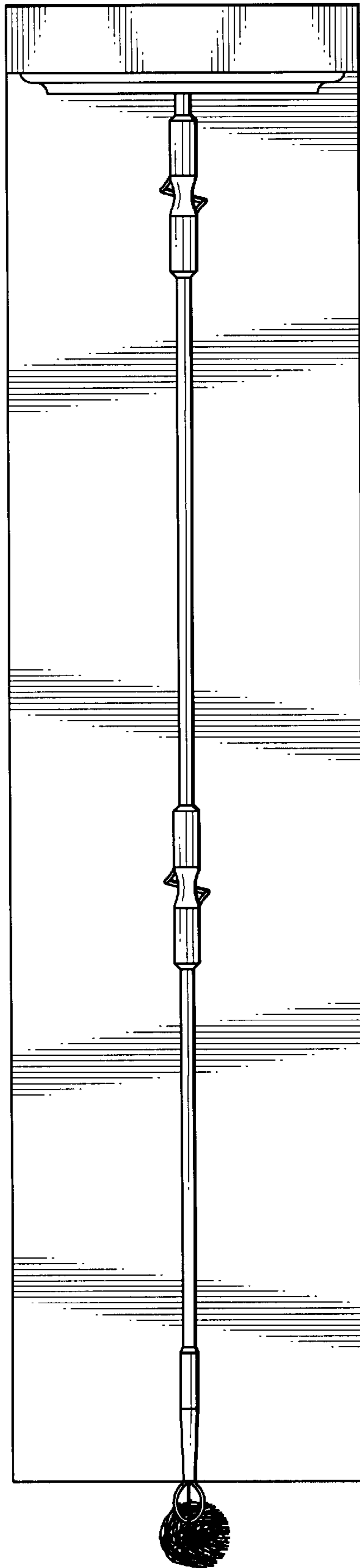


FIG. 6

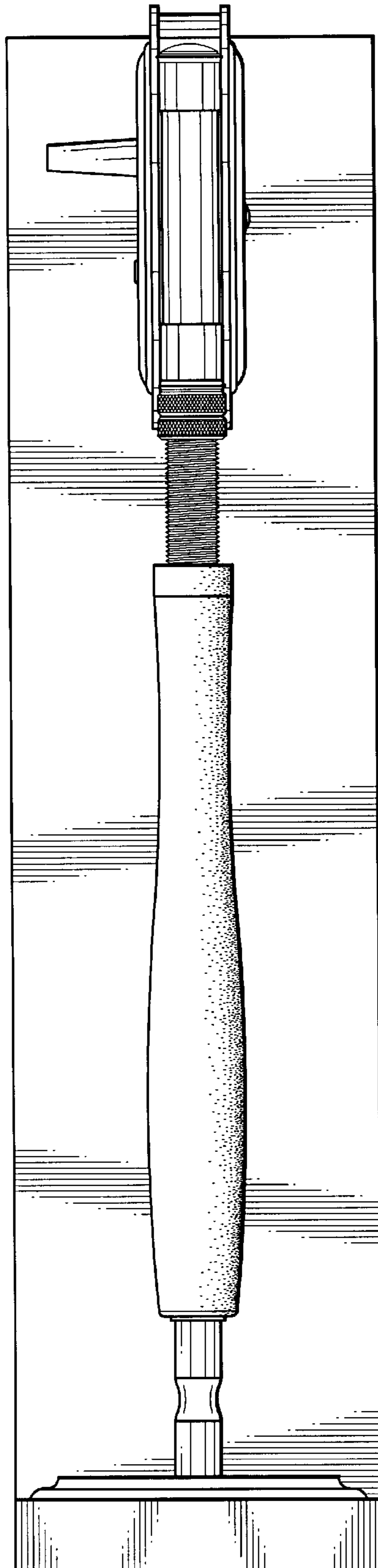


FIG. 7

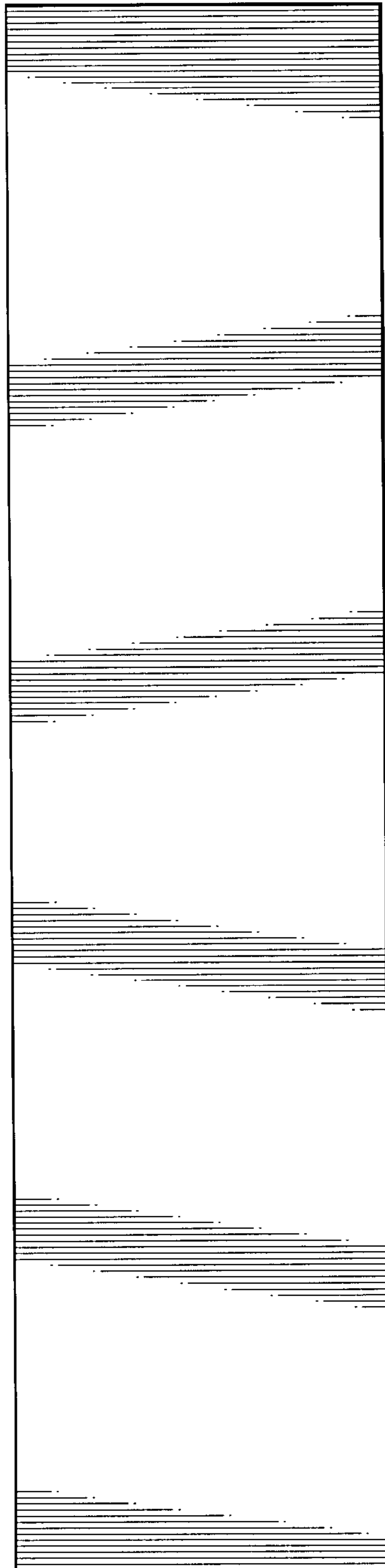


FIG. 8



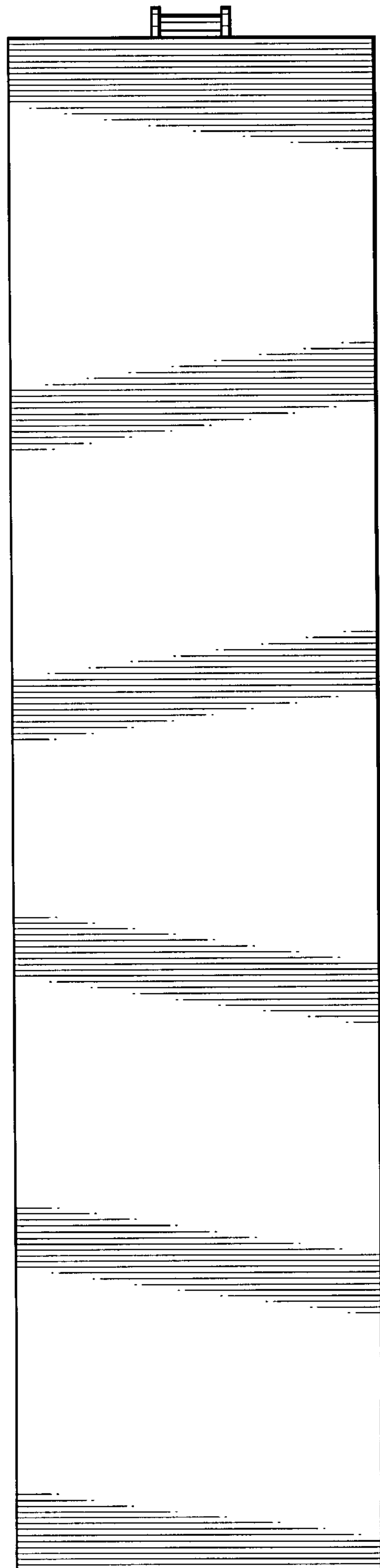


FIG. 9

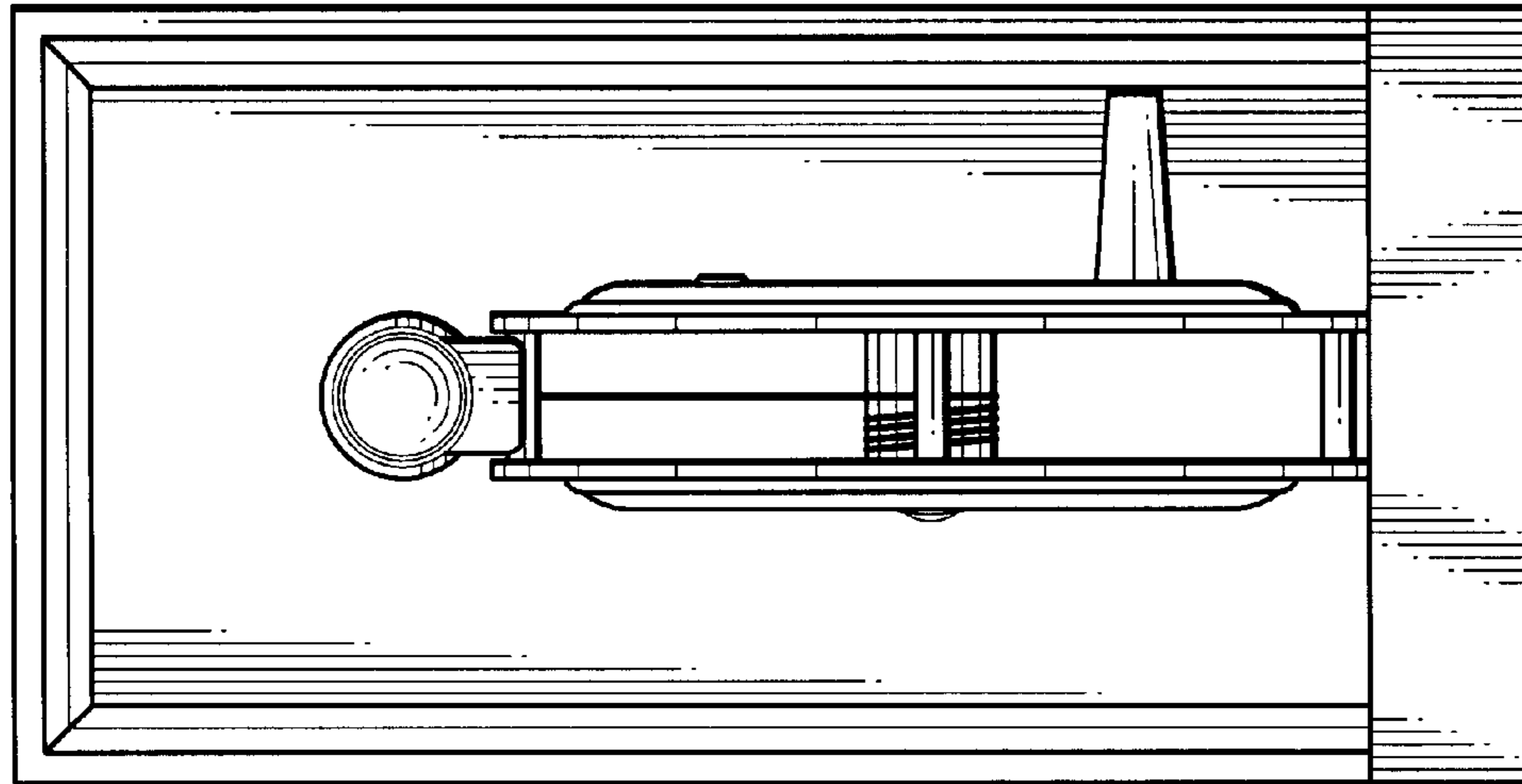


FIG. 10

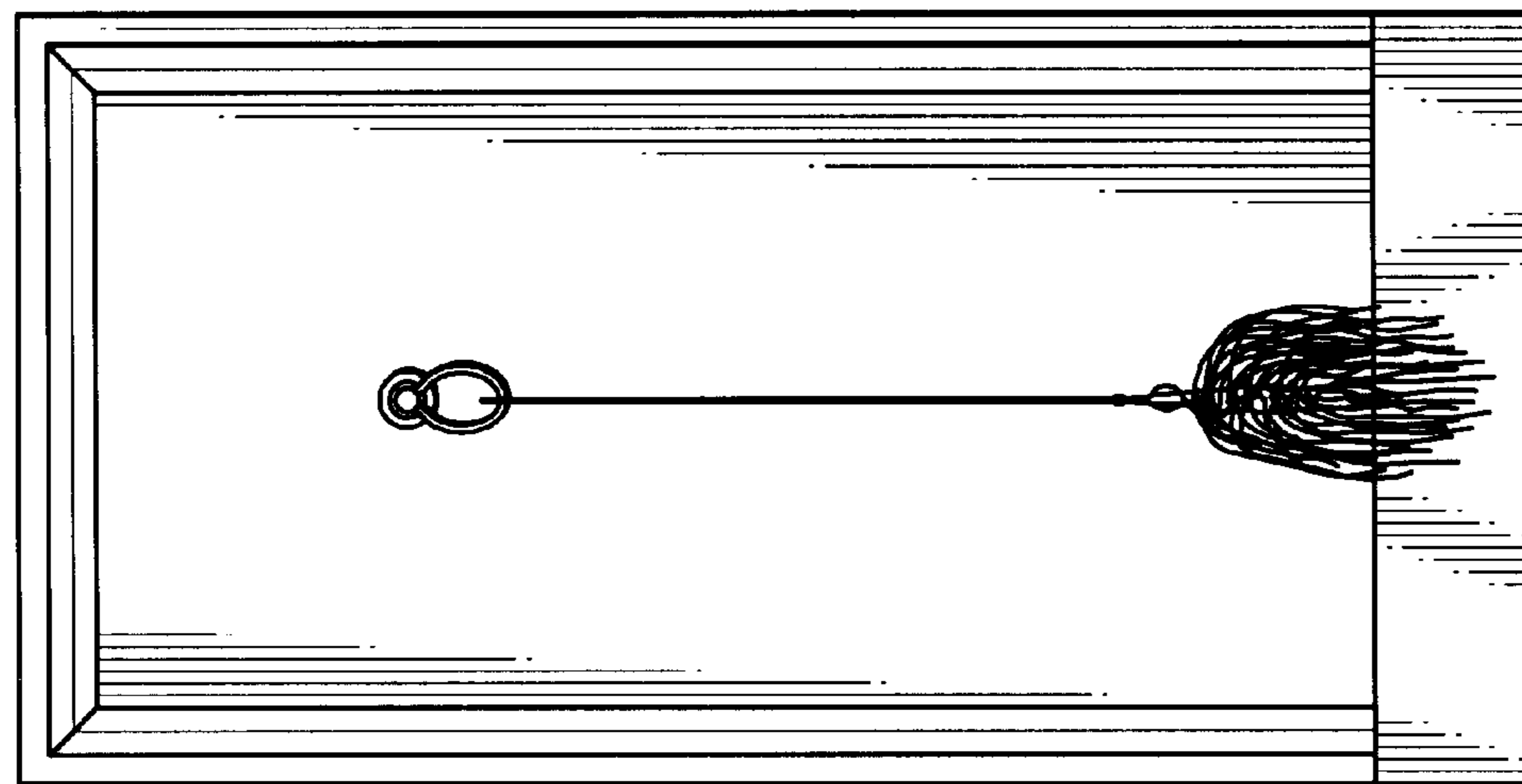


FIG. 11