



US00D533222S

(12) **United States Design Patent** (10) **Patent No.:** **US D533,222 S**  
**Smith** (45) **Date of Patent:** **\*\* Dec. 5, 2006**

(54) **PAIRED BOOKENDS**

(76) Inventor: **Stephen F. Smith**, 2311 Bottle Bay Rd., Sagle, ID (US) 83860

(\*\*) Term: **14 Years**

(21) Appl. No.: **29/255,909**

(22) Filed: **Mar. 14, 2006**

(51) **LOC (8) Cl.** ..... **19-99**

(52) **U.S. Cl.** ..... **D19/34.3**

(58) **Field of Classification Search** ..... D19/34.1-34.5;  
211/42-43; 248/441.1; D21/733, 735-736,  
D21/747-748

See application file for complete search history.

(56) **References Cited**

**U.S. PATENT DOCUMENTS**

D61,430	S	*	8/1922	Wunsch	.....	D19/34.3
D198,918	S	*	8/1964	Biallas	.....	D19/34.3
3,150,879	A		9/1964	Head		
3,165,204	A	*	1/1965	Spencer	.....	D19/34.4
3,561,782	A		2/1971	Tyrack		
D243,265	S		2/1977	Koblick		
D257,806	S		1/1981	Maune		
4,316,620	A		2/1982	Wien		
D263,410	S		3/1982	Wien		
4,596,405	A		6/1986	Jones		
4,645,235	A		2/1987	Joseph		
4,874,099	A	*	10/1989	Arnott et al.	.....	211/43
5,294,152	A		3/1994	Jacobs		
D356,352	S		3/1995	Johnson		
D362,017	S		9/1995	McConnell		
5,505,492	A		4/1996	Nelson		
5,538,285	A		7/1996	Goode		
D388,823	S	*	1/1998	Bright	.....	D19/34.1
6,152,491	A		11/2000	Queentry		
D446,269	S	*	8/2001	Ryu	.....	D21/747
D518,128	S	*	3/2006	Ramos	.....	D21/748

D522,056 S \* 5/2006 Smith ..... D19/34.3  
2001/0011817 A1 8/2001 Zaltron  
2004/0178621 A1 9/2004 Martin

\* cited by examiner

*Primary Examiner*—Robert A. Delehanty

*Assistant Examiner*—Mark Cavanna

(74) *Attorney, Agent, or Firm*—Wells St. John P.S.

(57) **CLAIM**

The ornamental design for paired bookends, as shown and described.

**DESCRIPTION**

FIG. 1 is a perspective view of the paired bookends showing my new design. The broken lines showing books form no part of the claimed design;

FIG. 2 is a left side view of the left half of the paired bookend thereof;

FIG. 3 is a left side view of the right half of the paired bookend thereof;

FIG. 4 is a right side view of the left half of the paired bookend thereof;

FIG. 5 is a right side view of the right half of the paired bookend thereof;

FIG. 6 is a top view of the left half of the paired bookend thereof;

FIG. 7 is a top view of the right half of the paired bookend thereof;

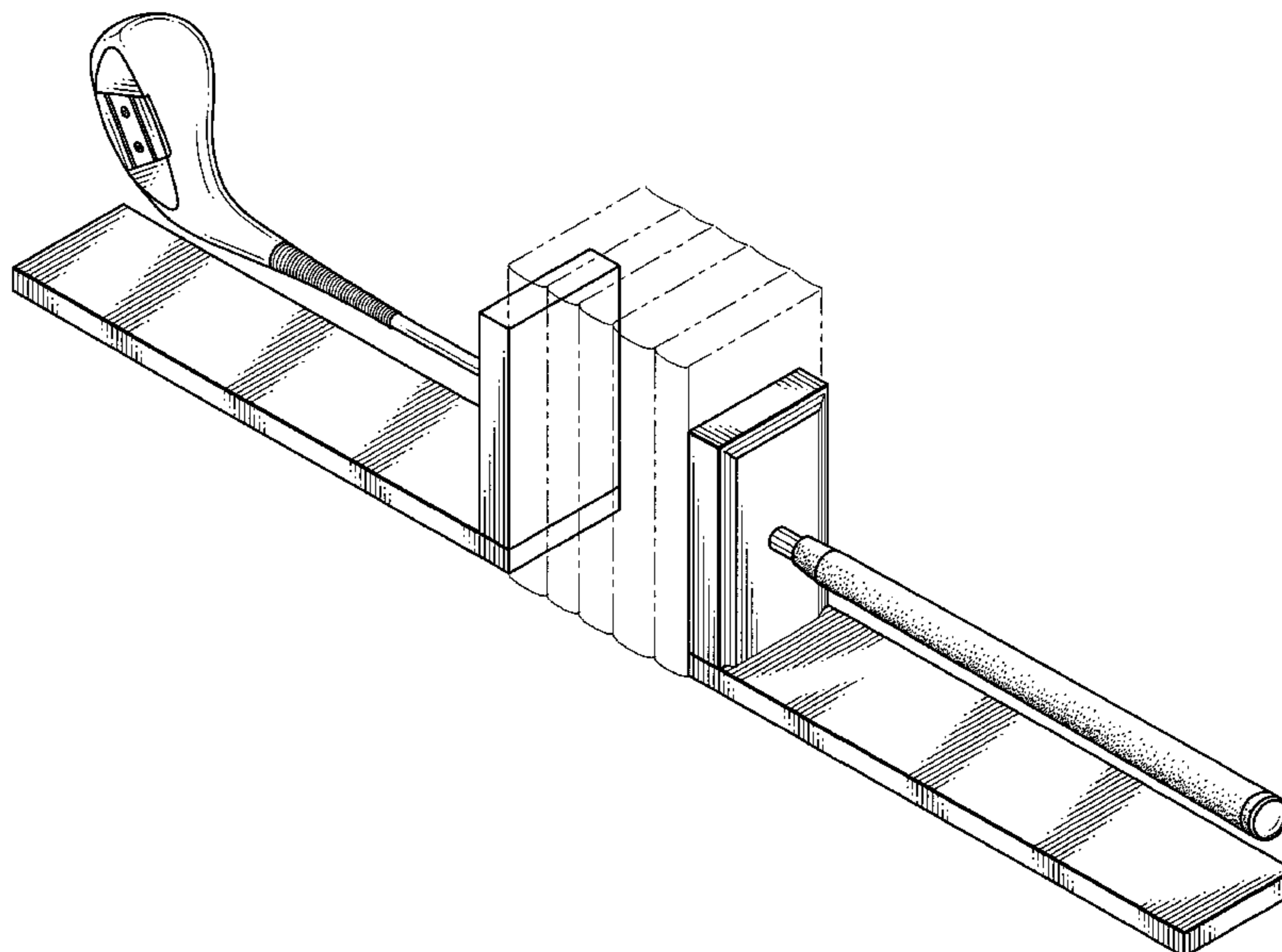
FIG. 8 is a bottom view of the left half of the paired bookend thereof;

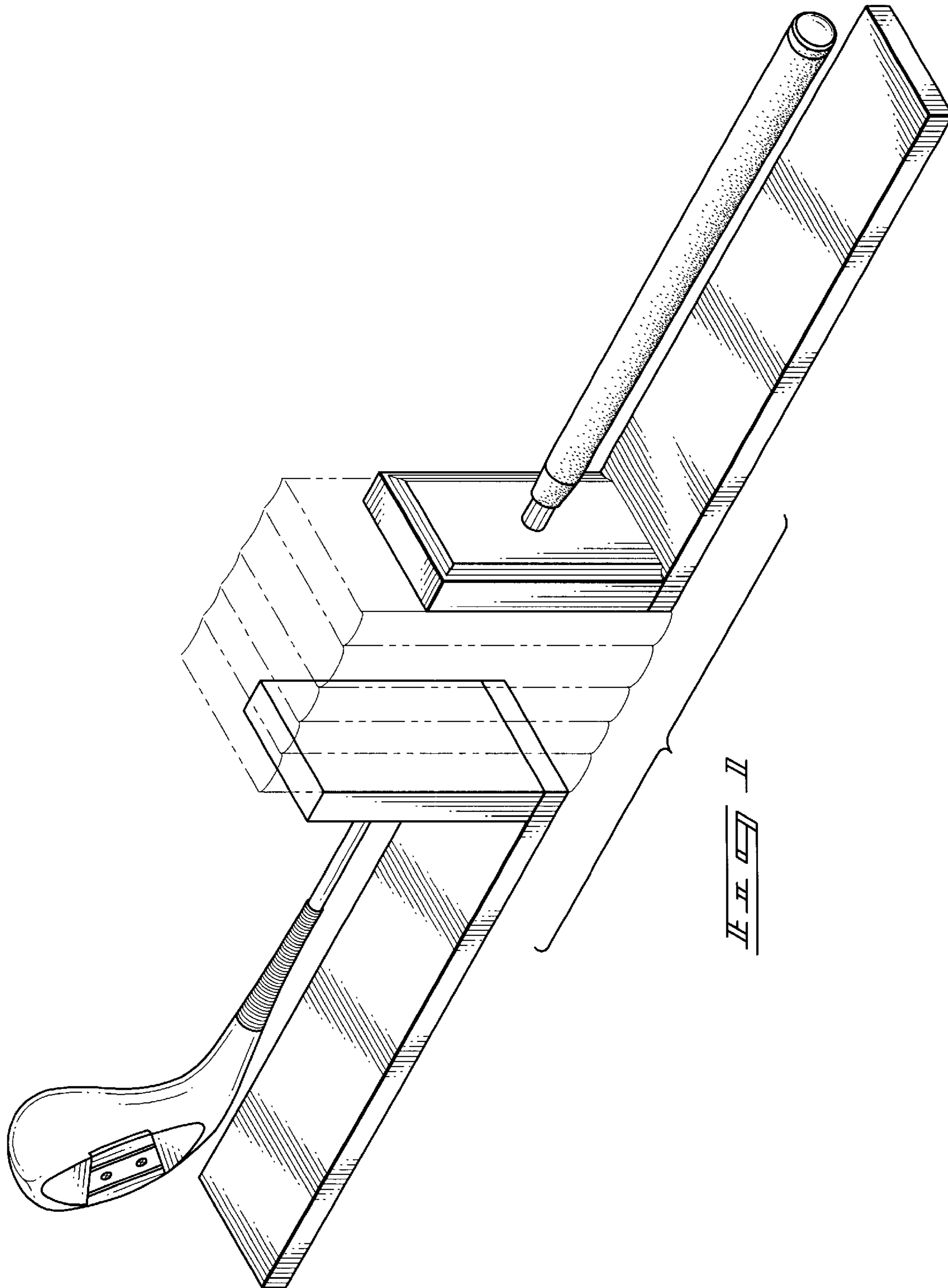
FIG. 9 is a bottom view of the right half of the paired bookend thereof;

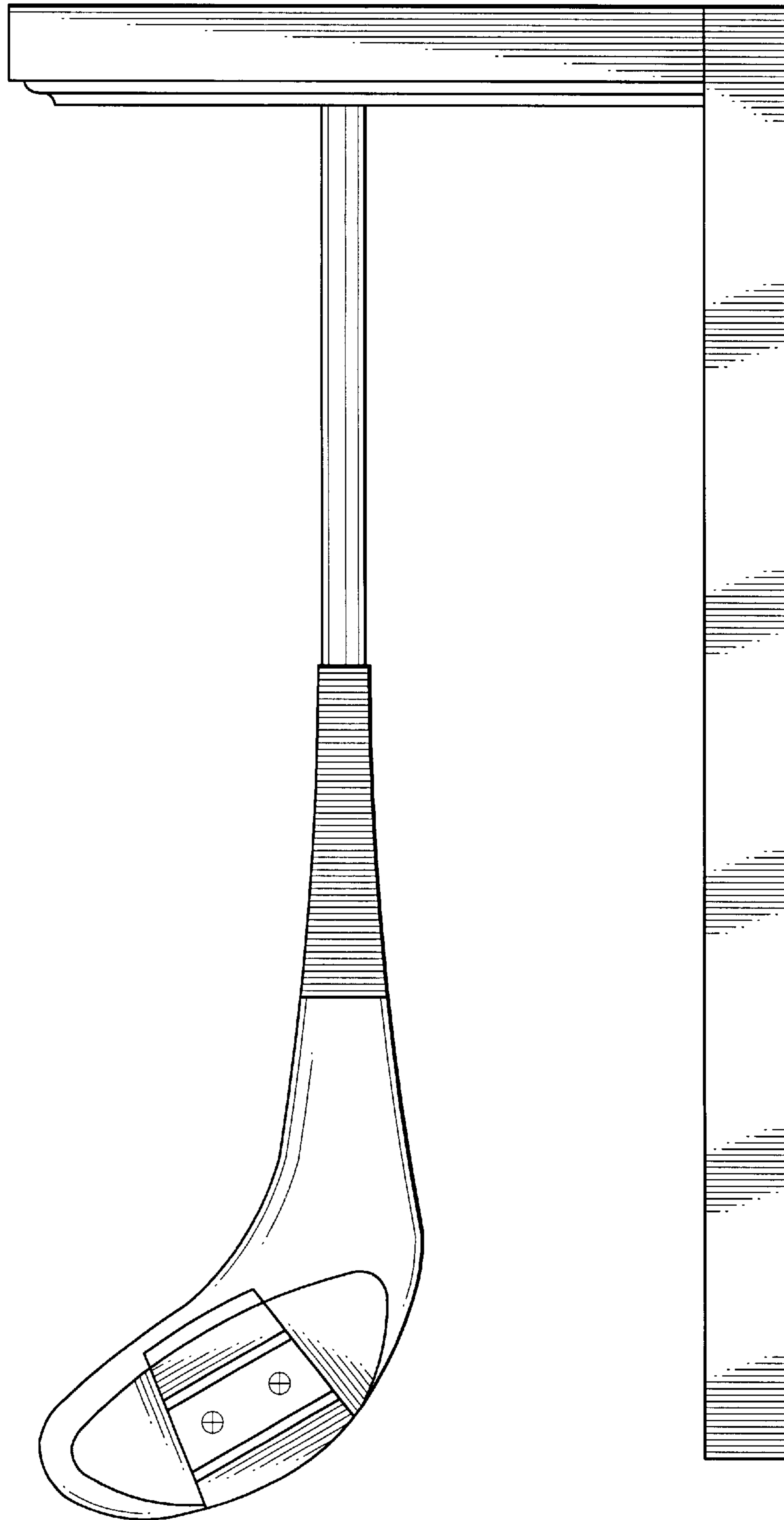
FIG. 10 is a front view of the left half of the paired bookend thereof; and,

FIG. 11 is a back view of the right half of the paired bookend thereof.

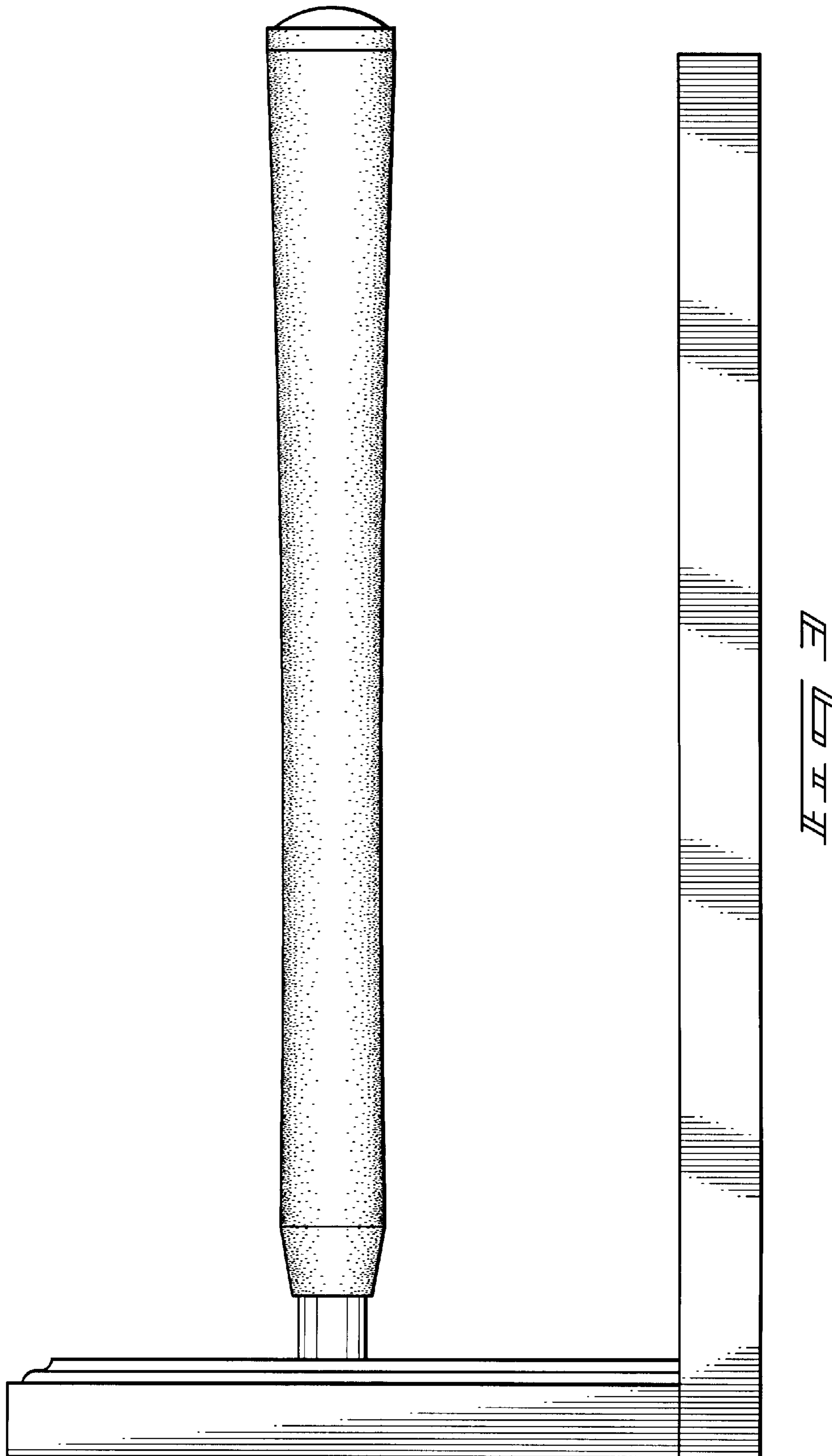
**1 Claim, 10 Drawing Sheets**







2006



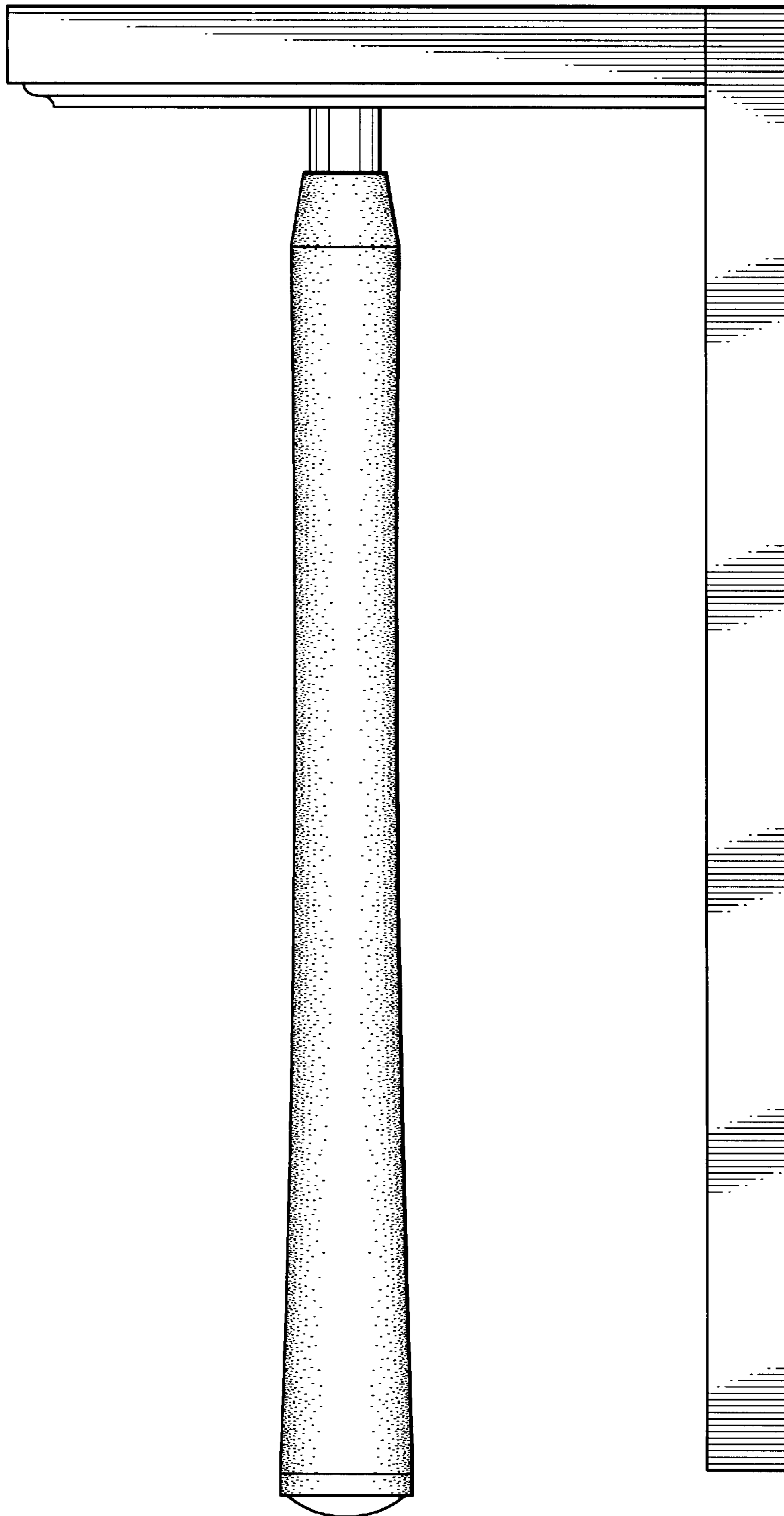


FIG. 4

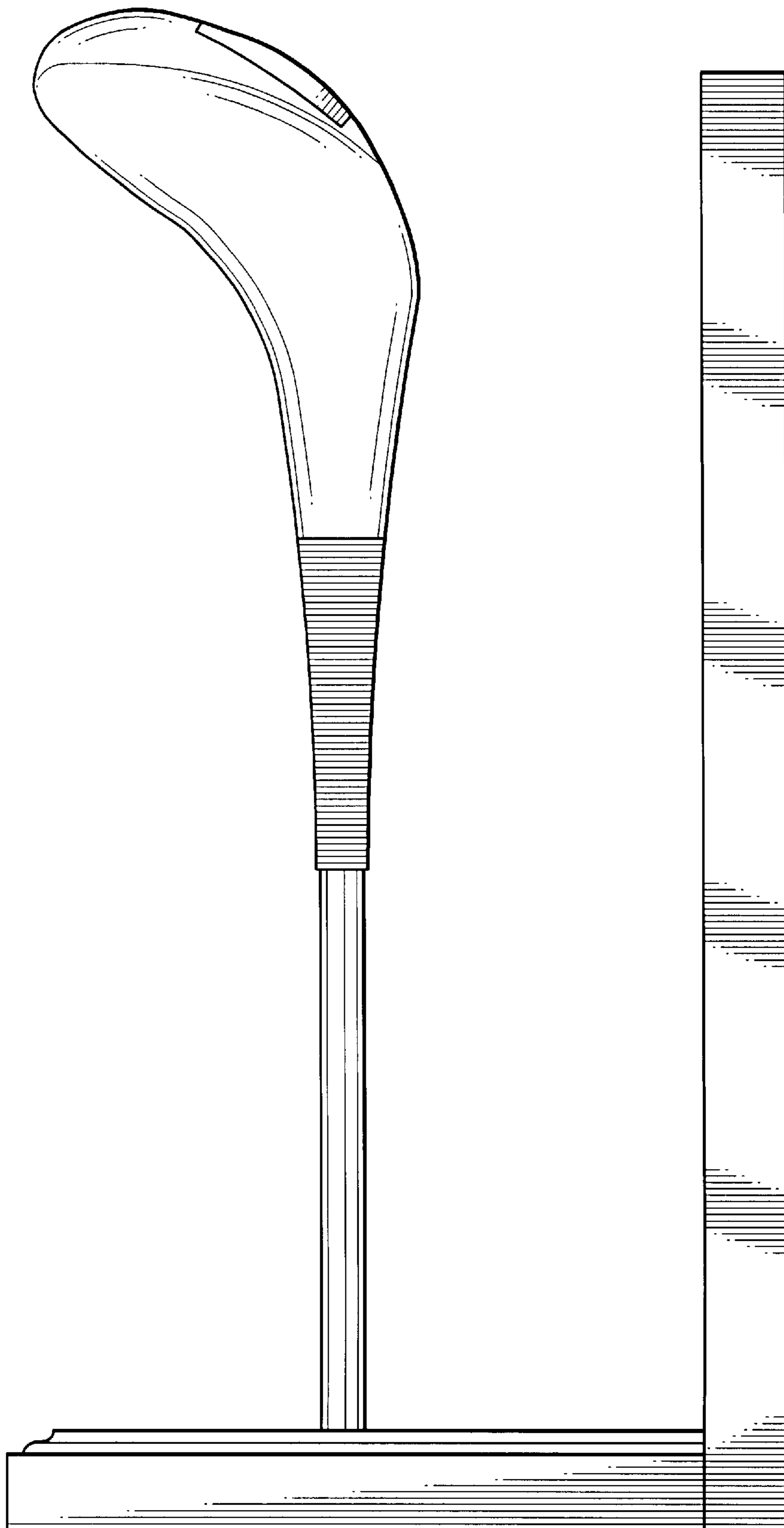


FIG. 5

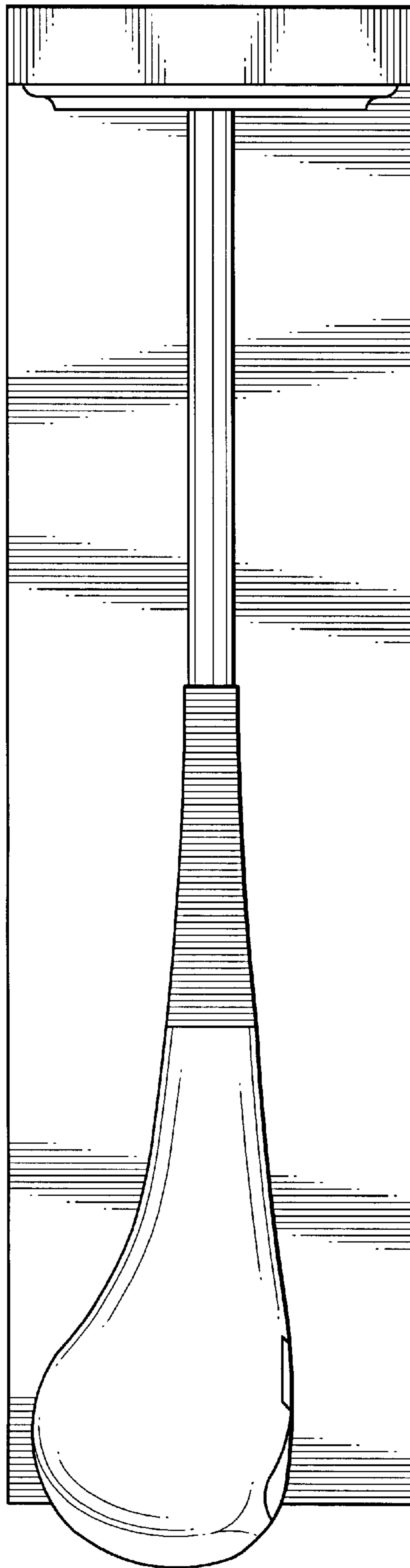


FIG. 6

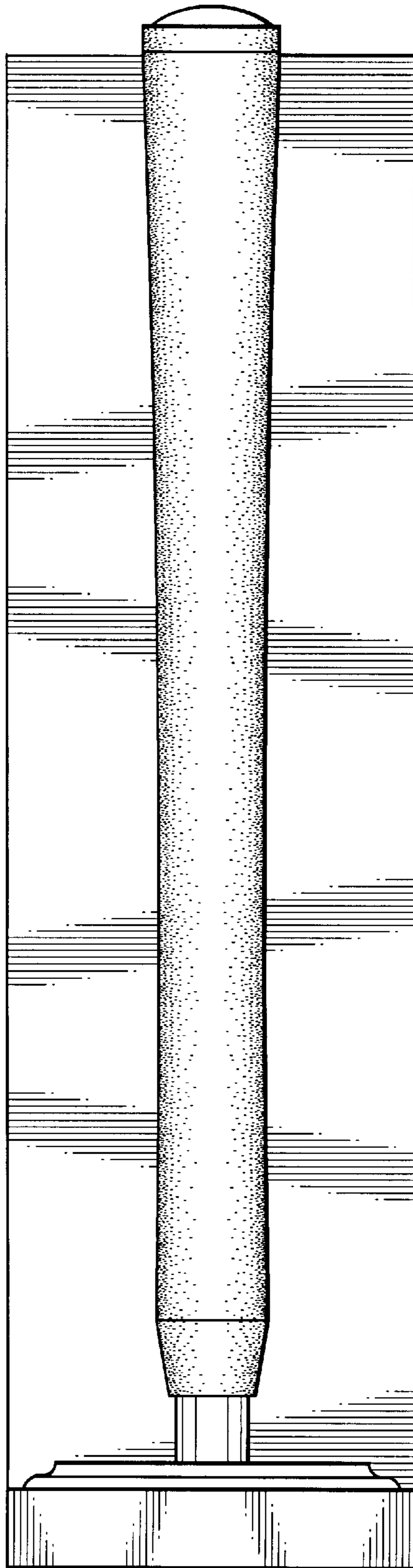


FIG. 7



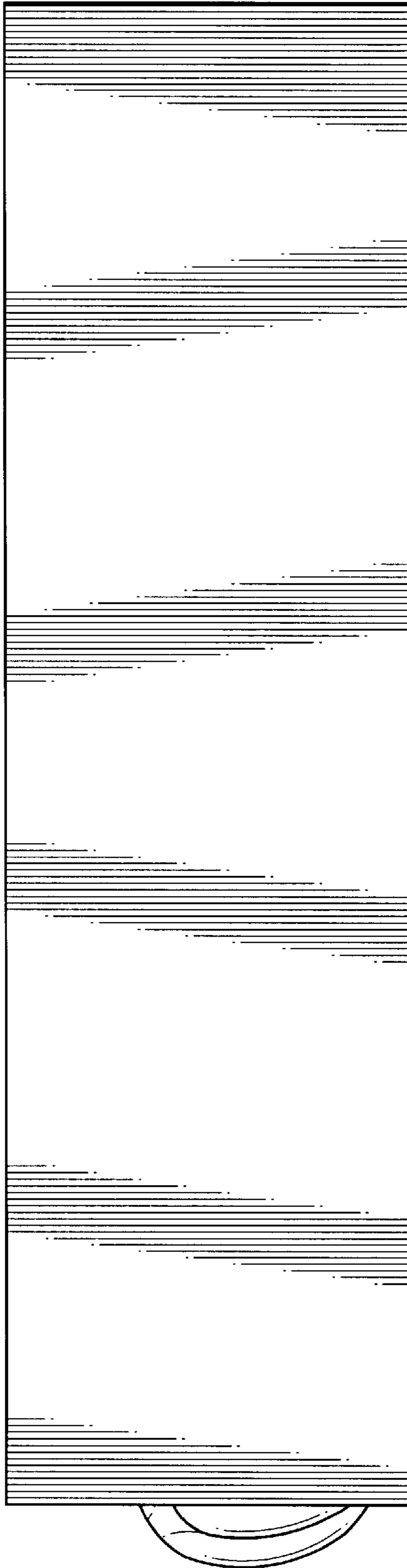
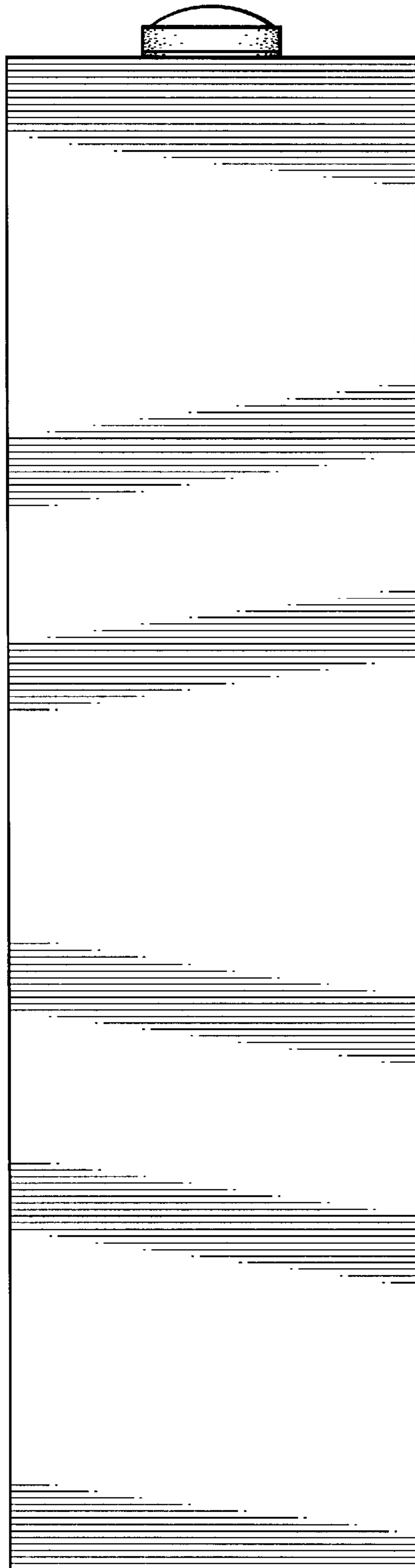


FIG. 8



9 10 11 12

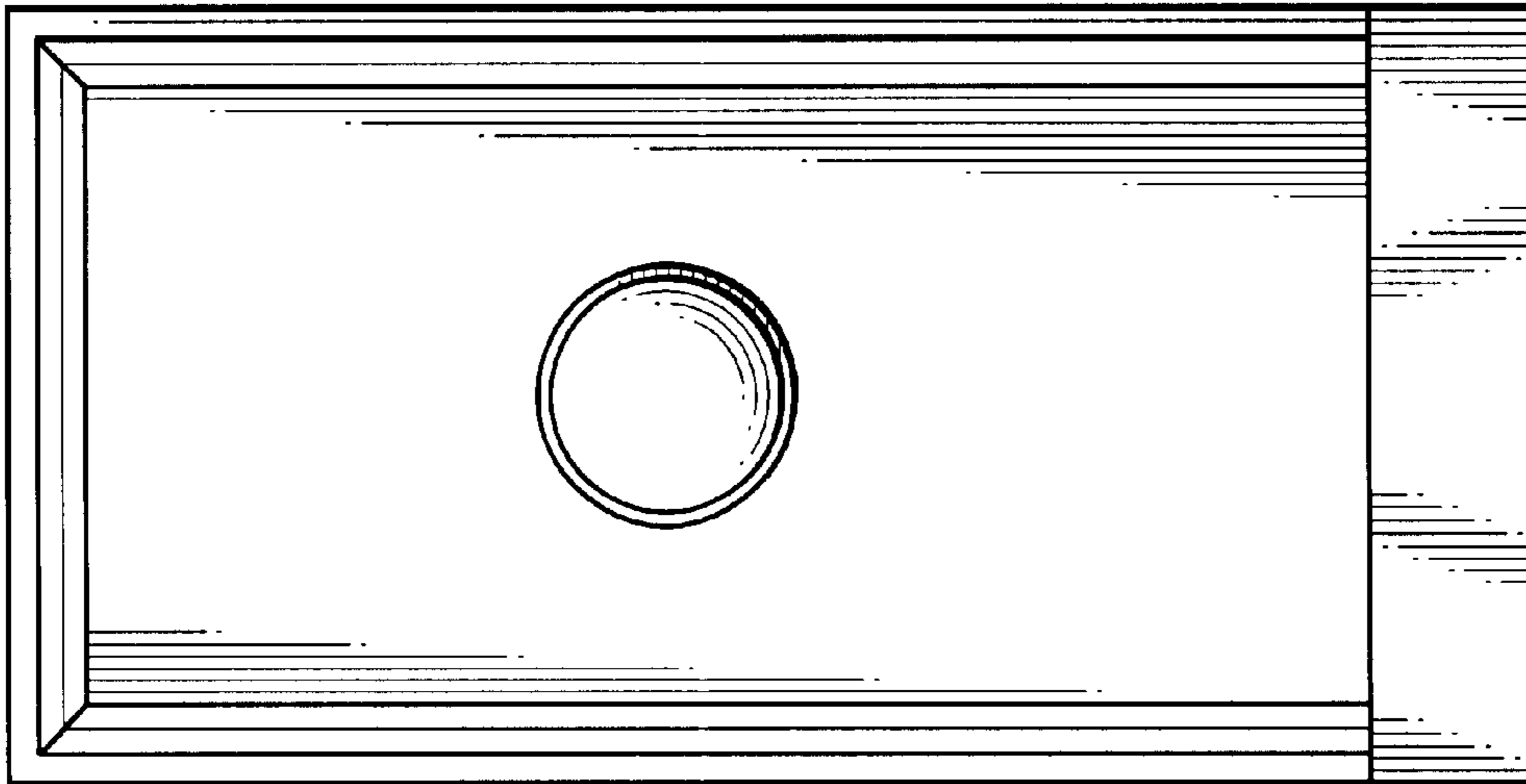


FIG. 10

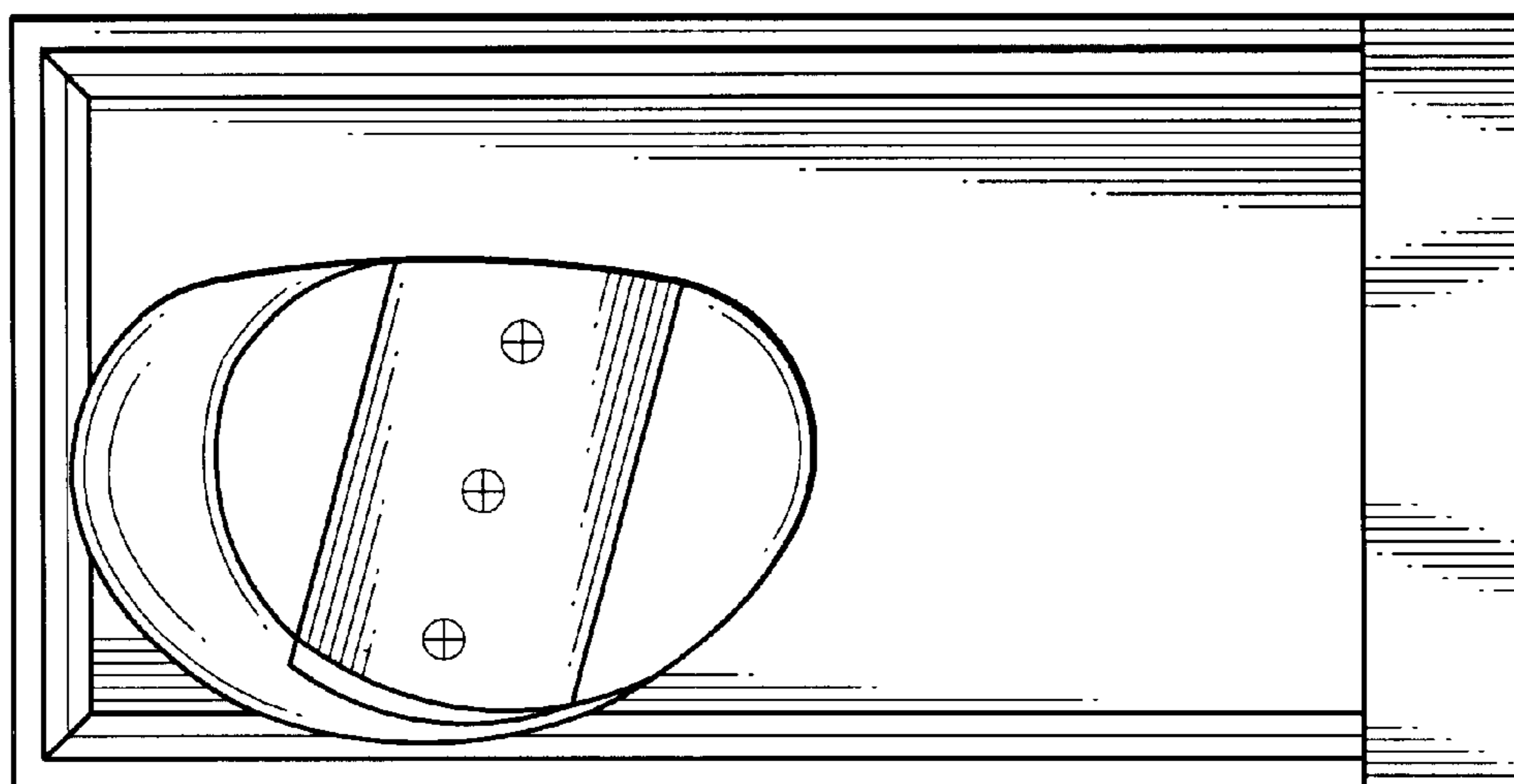


FIG. 11