



US00D533218S

(12) **United States Design Patent**
Gant et al.

(10) **Patent No.:** **US D533,218 S**
(45) **Date of Patent:** **** Dec. 5, 2006**

(54) **PRINTER**

(75) Inventors: **Scott Gant**, San Diego, CA (US);
David W. Leong, San Diego, CA (US);
George F. Nasworthy, Jr., Encinitas,
CA (US)

(73) Assignee: **Hewlett-Packard Development
Company, LP.**, Houston, TX (US)

(**) Term: **14 Years**

(21) Appl. No.: **29/211,251**

(22) Filed: **Aug. 12, 2004**

(51) **LOC (8) Cl.** **14-02**

(52) **U.S. Cl.** **D18/55**

(58) **Field of Classification Search** D18/36-39,
D18/50, 54, 54.1, 55; D14/420-425, 462-470;
400/613, 613.1-613.4, 690.1-690.4, 691-694
See application file for complete search history.

(56) **References Cited**

U.S. PATENT DOCUMENTS

D315,574 S * 3/1991 Komada et al. D18/37
D350,765 S * 9/1994 Hiroki et al. D18/36
6,026,258 A * 2/2000 Fresk et al. 399/87
D436,369 S * 1/2001 Sasaki et al. D18/39

D441,784 S * 5/2001 Leong et al. D18/55
D456,834 S * 5/2002 Fetherolf et al. D18/36
D462,971 S * 9/2002 Leong et al. D14/463
D466,149 S * 11/2002 Takeuchi D18/36
D491,219 S * 6/2004 Shimamura D18/50
D501,667 S * 2/2005 Ishigami et al. D18/50
D501,874 S * 2/2005 Ishigami D18/50
D502,500 S * 3/2005 Hoshiya et al. D18/50

* cited by examiner

Primary Examiner—Cathy Anne MacCormac

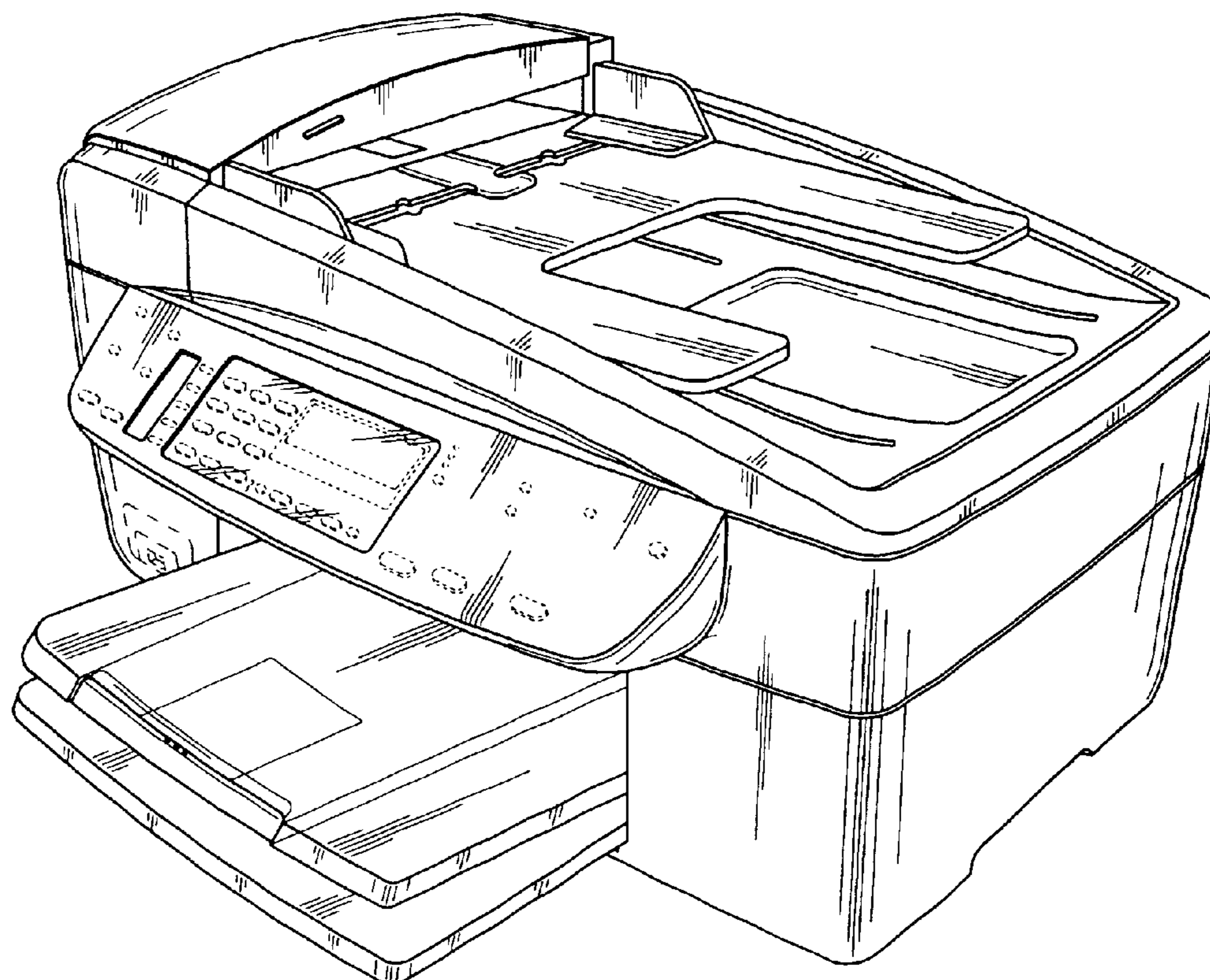
(57) **CLAIM**

The ornamental design for a printer, as shown and described.

DESCRIPTION

FIG. 1 is a right-front perspective view of a printer showing the new design;
FIG. 2 is a top view thereof;
FIG. 3 is a front view thereof;
FIG. 4 is a left side view thereof;
FIG. 5 is a right side view thereof; and,
FIG. 6 is a rear side view thereof.
The bottom view is not shown as it is flat and devoid of surface ornamentation. The broken lines visible in FIGS. 1-5 show environmental features and form no part of the claimed design.

1 Claim, 6 Drawing Sheets



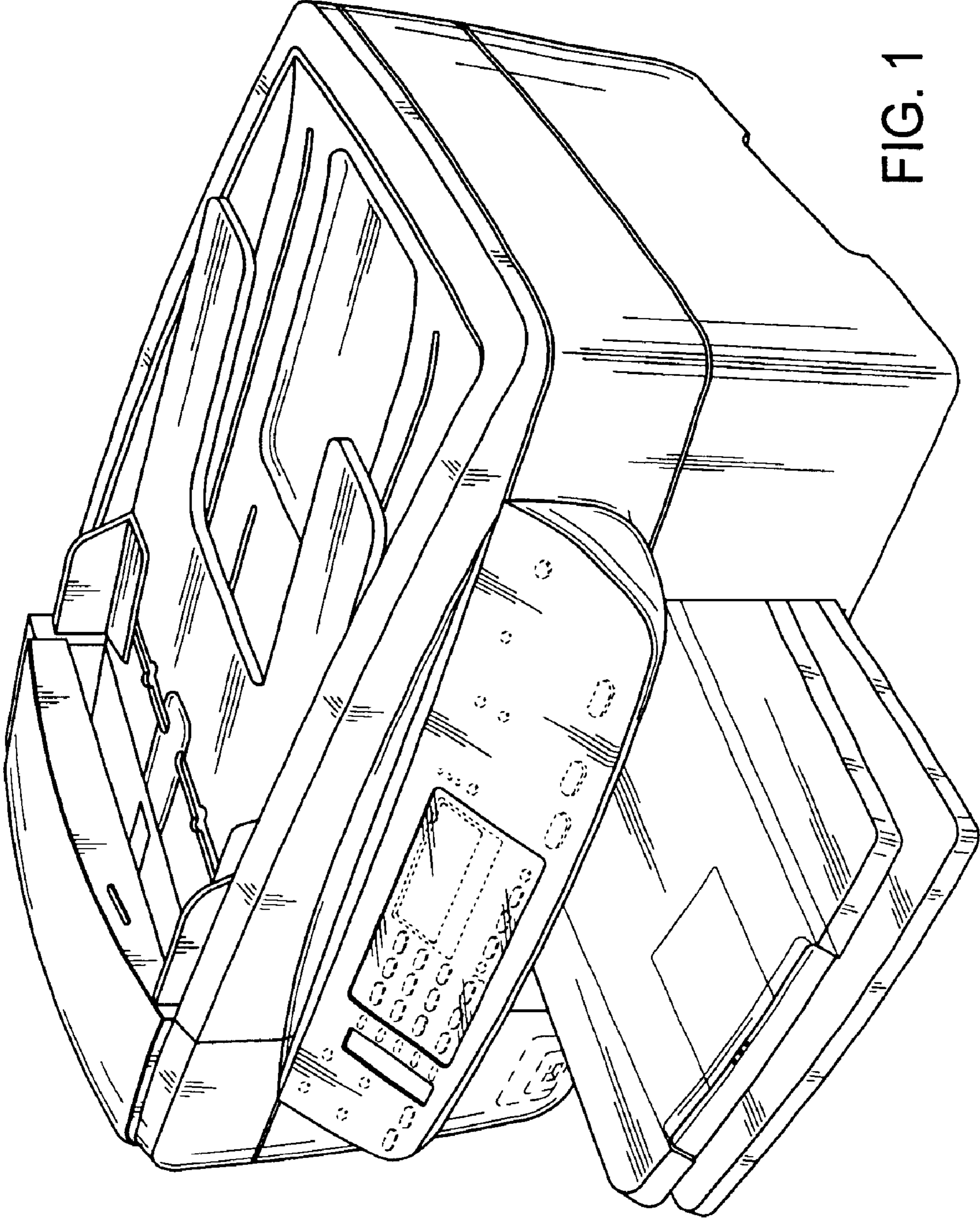


FIG. 1

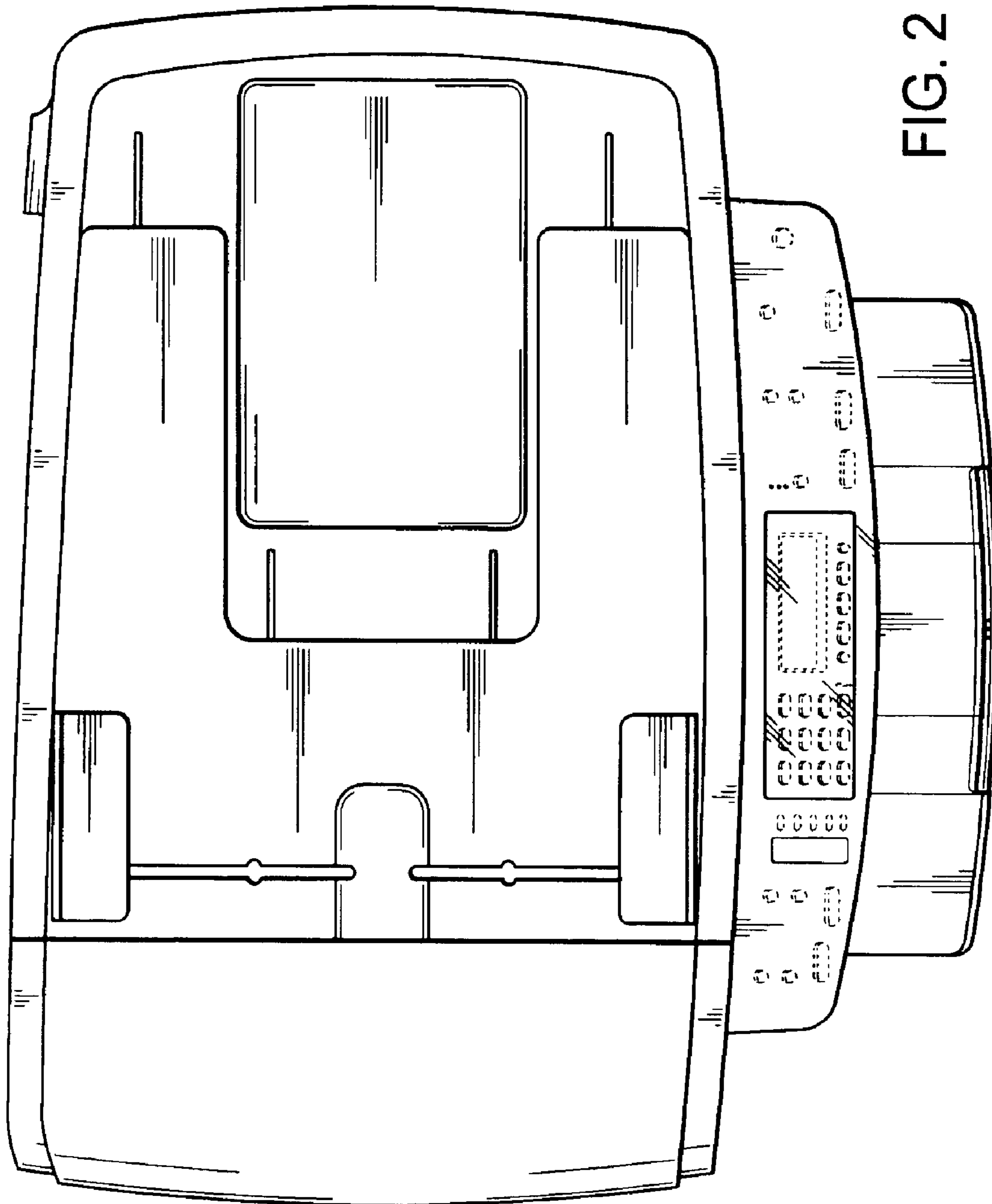


FIG. 2

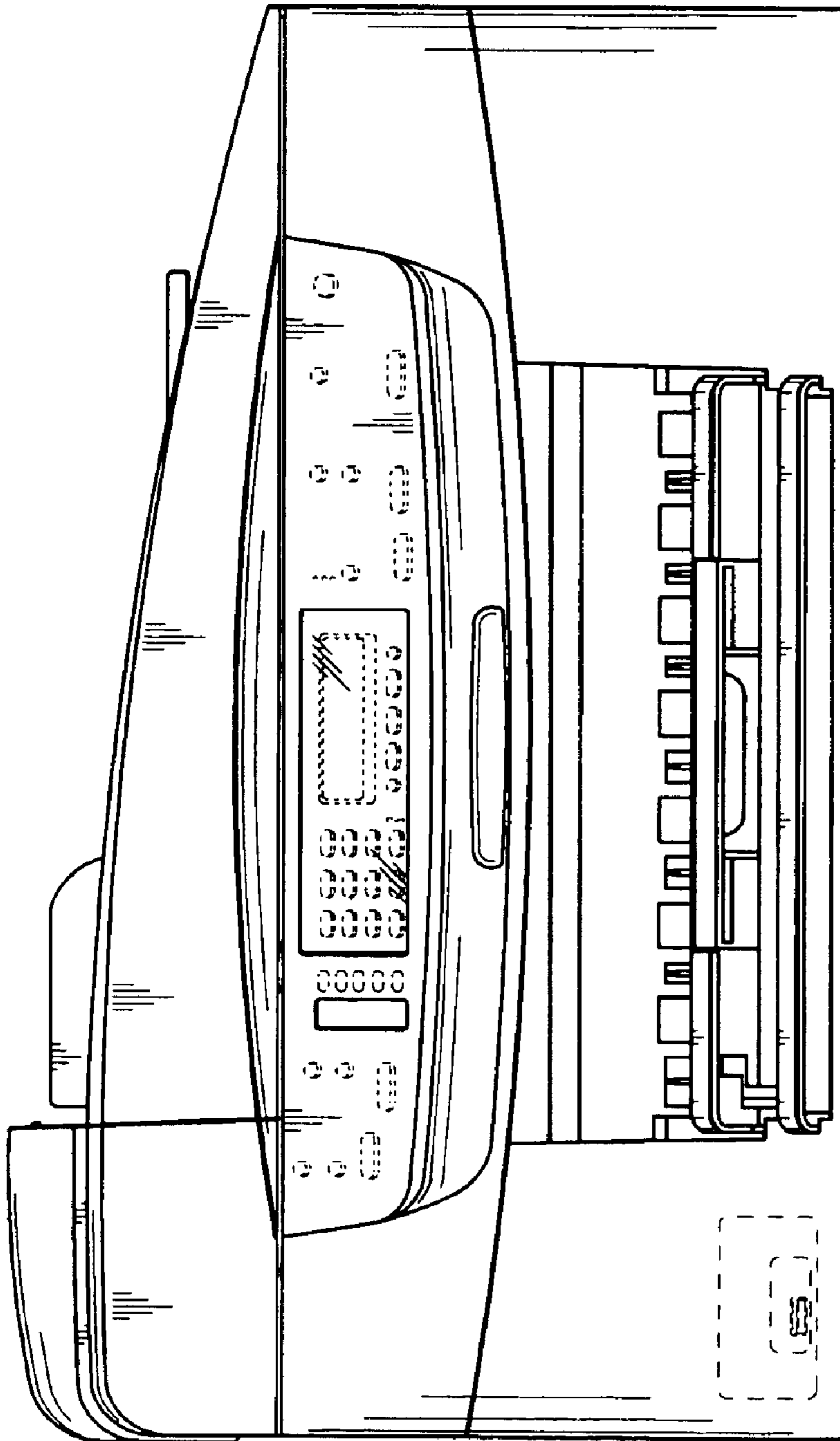


FIG. 3

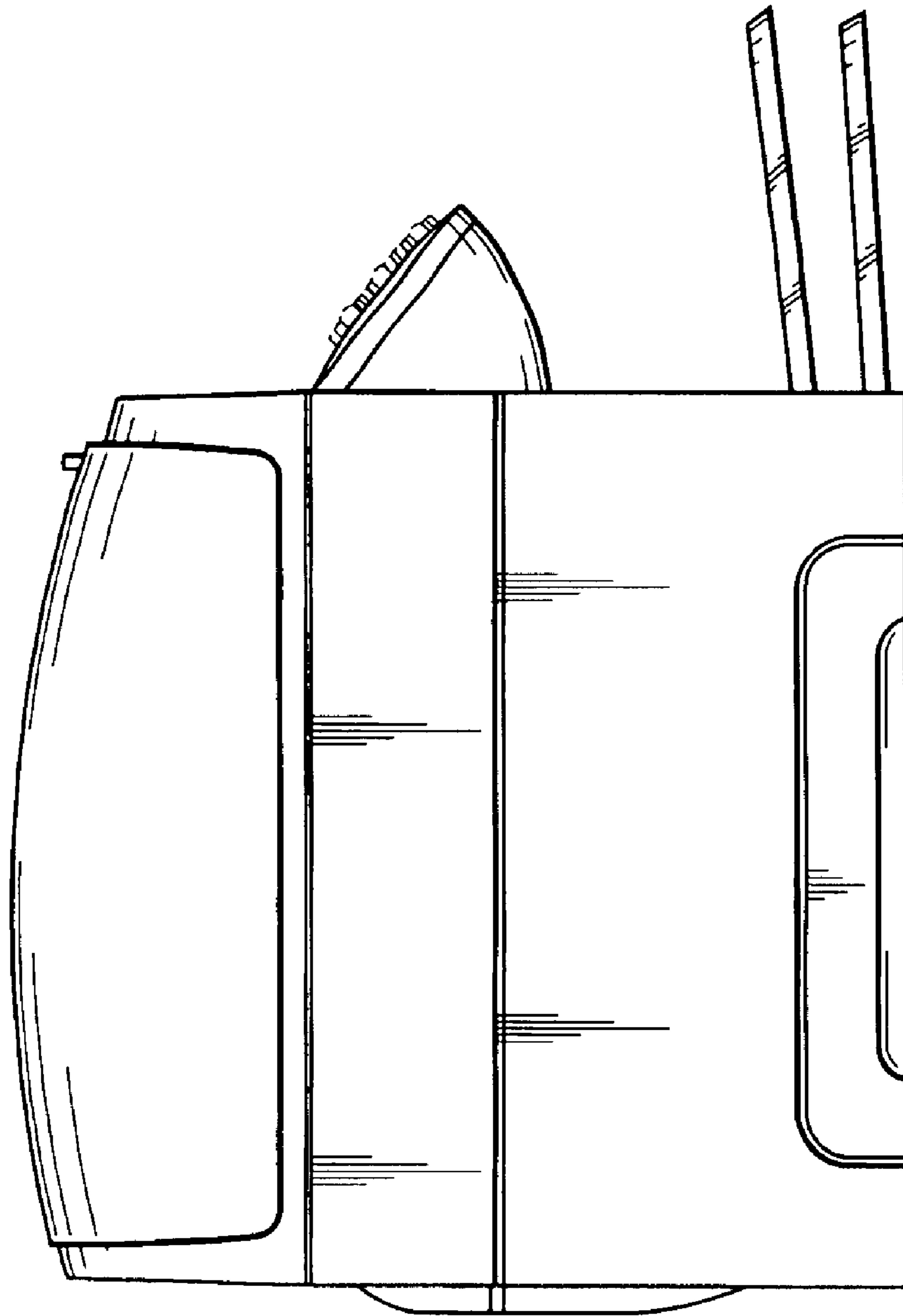


FIG. 4

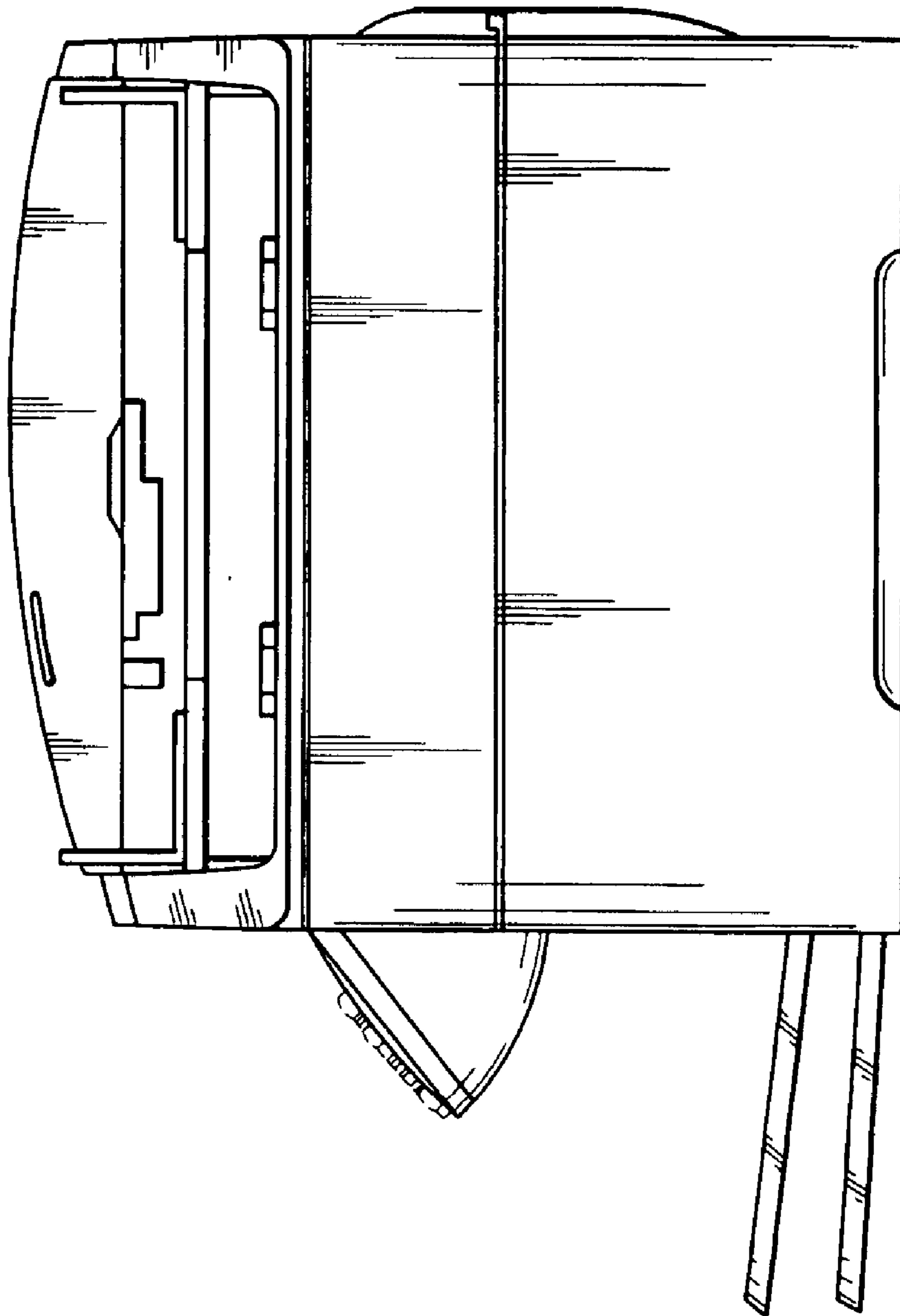


FIG. 5

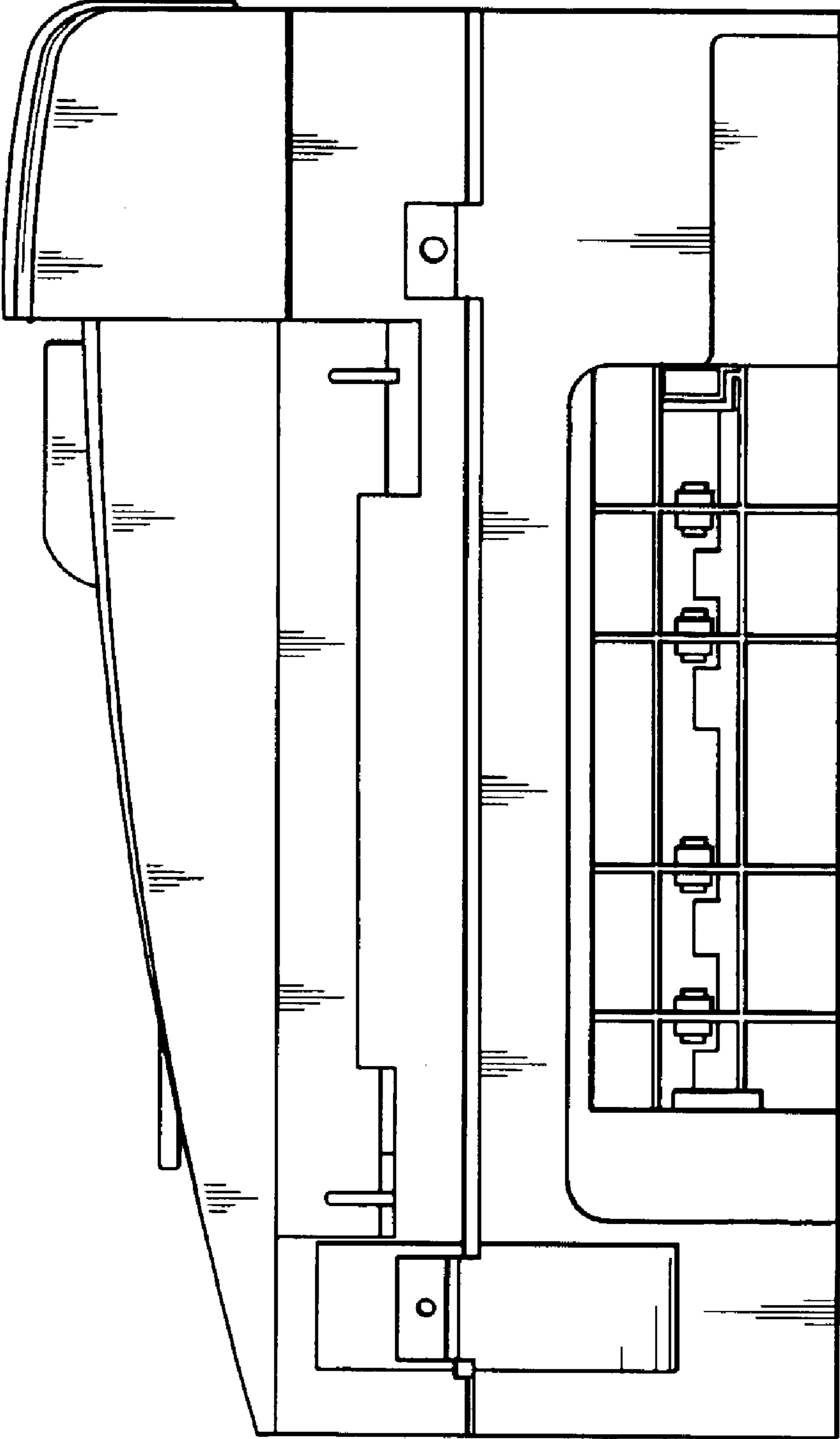


FIG. 6