

US00D533217S

(12) **United States Design Patent**  
**Okamoto**

(10) **Patent No.:** **US D533,217 S**  
(45) **Date of Patent:** **\*\* Dec. 5, 2006**

(54) **PRINTER FOR PHOTOGRAPHS**

(75) Inventor: **Eiichi Okamoto**, Tokyo (JP)

(73) Assignee: **Fuji Photo Film Co., Ltd.**, Kanagawa (JP)

(\*\*) Term: **14 Years**

(21) Appl. No.: **29/223,843**

(22) Filed: **Feb. 22, 2005**

(30) **Foreign Application Priority Data**

Aug. 23, 2004 (JP) ..... 2004-025187

(51) **LOC (8) Cl.** ..... **14-02**

(52) **U.S. Cl.** ..... **D18/53**

(58) **Field of Classification Search** ..... D18/14,  
D18/19, 36-39, 50, 54, 54.1, 55; D14/420-425,  
D14/462-470; D16/237, 247-248; 400/613,  
400/613.1-613.4, 690.1-690.4, 691-694;  
399/109

See application file for complete search history.

(56) **References Cited**

**U.S. PATENT DOCUMENTS**

- D263,478 S \* 3/1982 Yoshihama ..... D14/463
- D293,686 S \* 1/1988 Sutou et al. .... D18/39
- D314,967 S \* 2/1991 Takahashi et al. .... D16/246
- D318,479 S \* 7/1991 Nishiseko et al. .... D16/246
- D338,197 S \* 8/1993 Miyazawa et al. .... D14/463
- D341,618 S \* 11/1993 Fukuda et al. .... D16/246
- D363,304 S \* 10/1995 Kondo et al. .... D18/39
- D366,272 S \* 1/1996 Okamoto et al. .... D16/246

- D367,872 S \* 3/1996 Whitby et al. .... D16/247
- D373,375 S \* 9/1996 Yamamoto et al. .... D18/39
- D390,591 S \* 2/1998 Okamoto et al. .... D18/39
- D399,869 S \* 10/1998 Yoshida et al. .... D18/39
- 5,884,132 A \* 3/1999 Gotham et al. .... 399/393
- D421,043 S \* 2/2000 Shibata et al. .... D18/39
- D431,261 S \* 9/2000 Haas et al. .... D18/50
- D438,889 S \* 3/2001 Matsumoto et al. .... D18/39
- D438,890 S \* 3/2001 Takimura ..... D18/39
- D450,343 S \* 11/2001 Matsuo et al. .... D18/39
- D453,943 S \* 2/2002 Sasaki ..... D18/39
- 6,374,066 B1 \* 4/2002 Smith et al. .... D18/36
- 6,526,242 B1 \* 2/2003 Kabumoto et al. .... 399/107

\* cited by examiner

*Primary Examiner*—Cathy Anne MacCormac

(74) *Attorney, Agent, or Firm*—Young & Thompson

(57) **CLAIM**

The ornamental design for a printer for photographs, as shown.

**DESCRIPTION**

FIG. 1 is a top, front and side perspective view of a printer for photographs, showing my new design; FIG. 2 is a front elevational view thereof; FIG. 3 is a rear elevational view thereof; FIG. 4 is a top plan view thereof; FIG. 5 is a bottom plan view thereof; FIG. 6 is a side elevational view thereof from the left of FIG. 2; and, FIG. 7 is a side elevational view thereof from the right of FIG. 2.

**1 Claim, 4 Drawing Sheets**

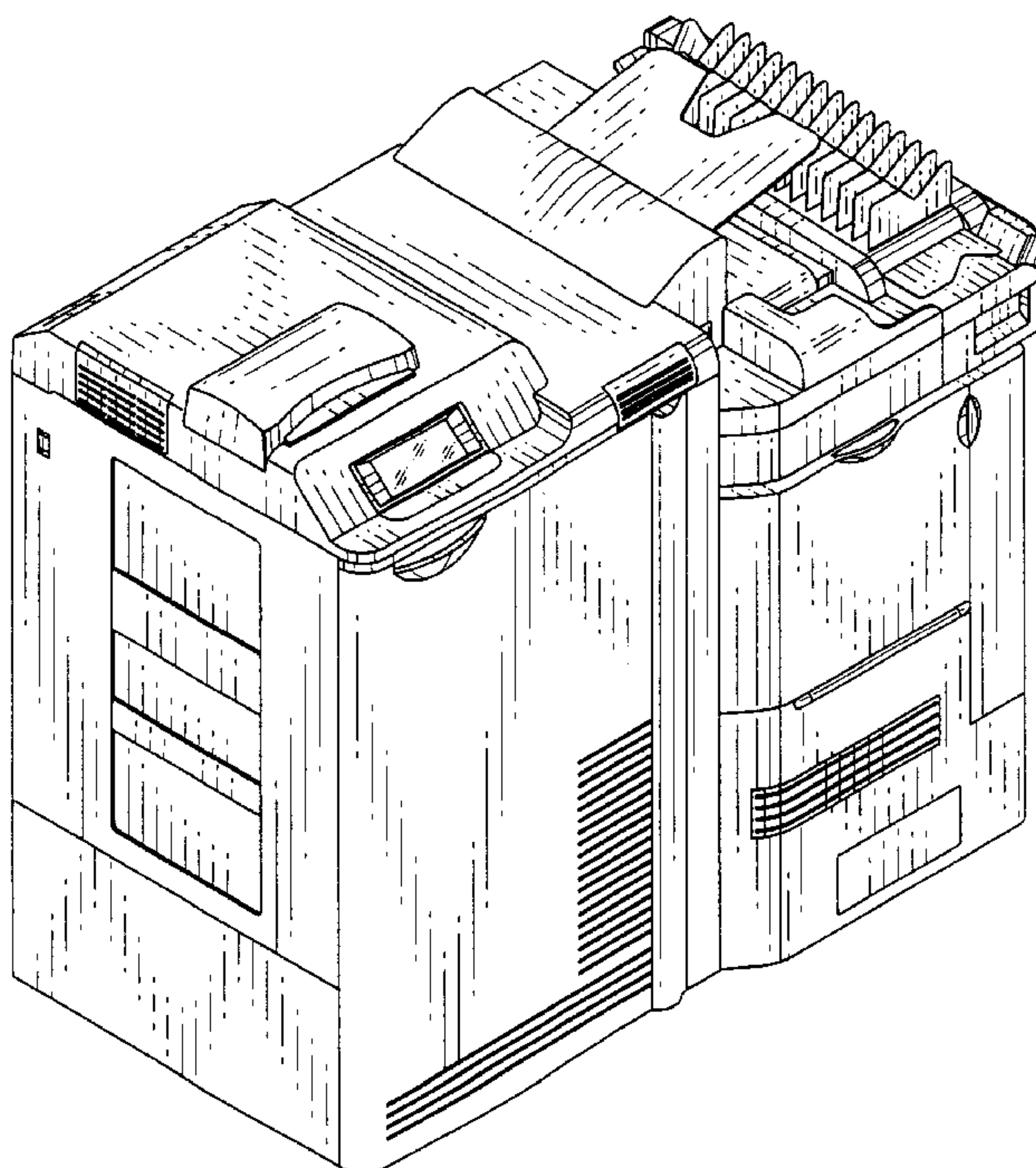


FIG.1

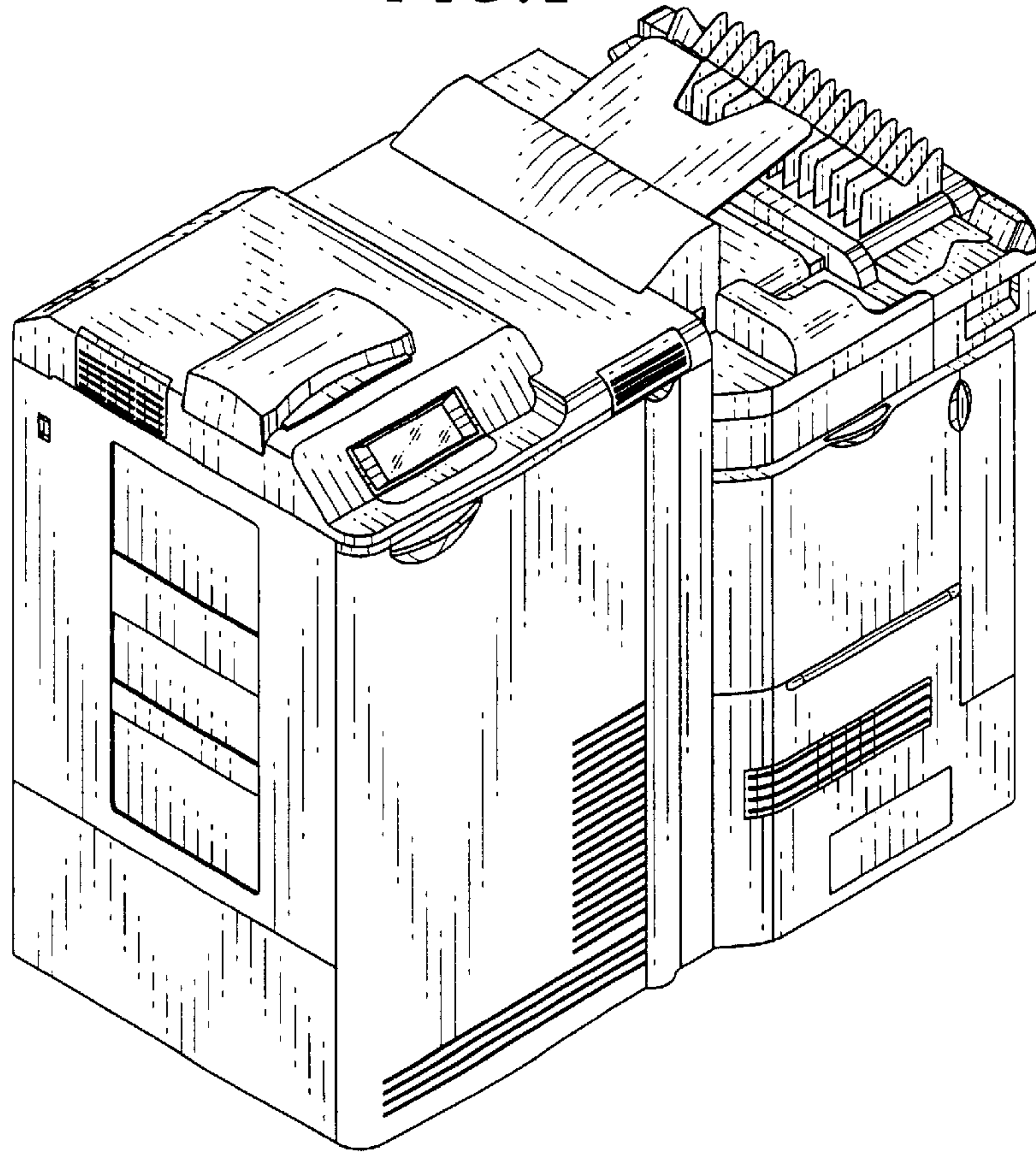


FIG.2

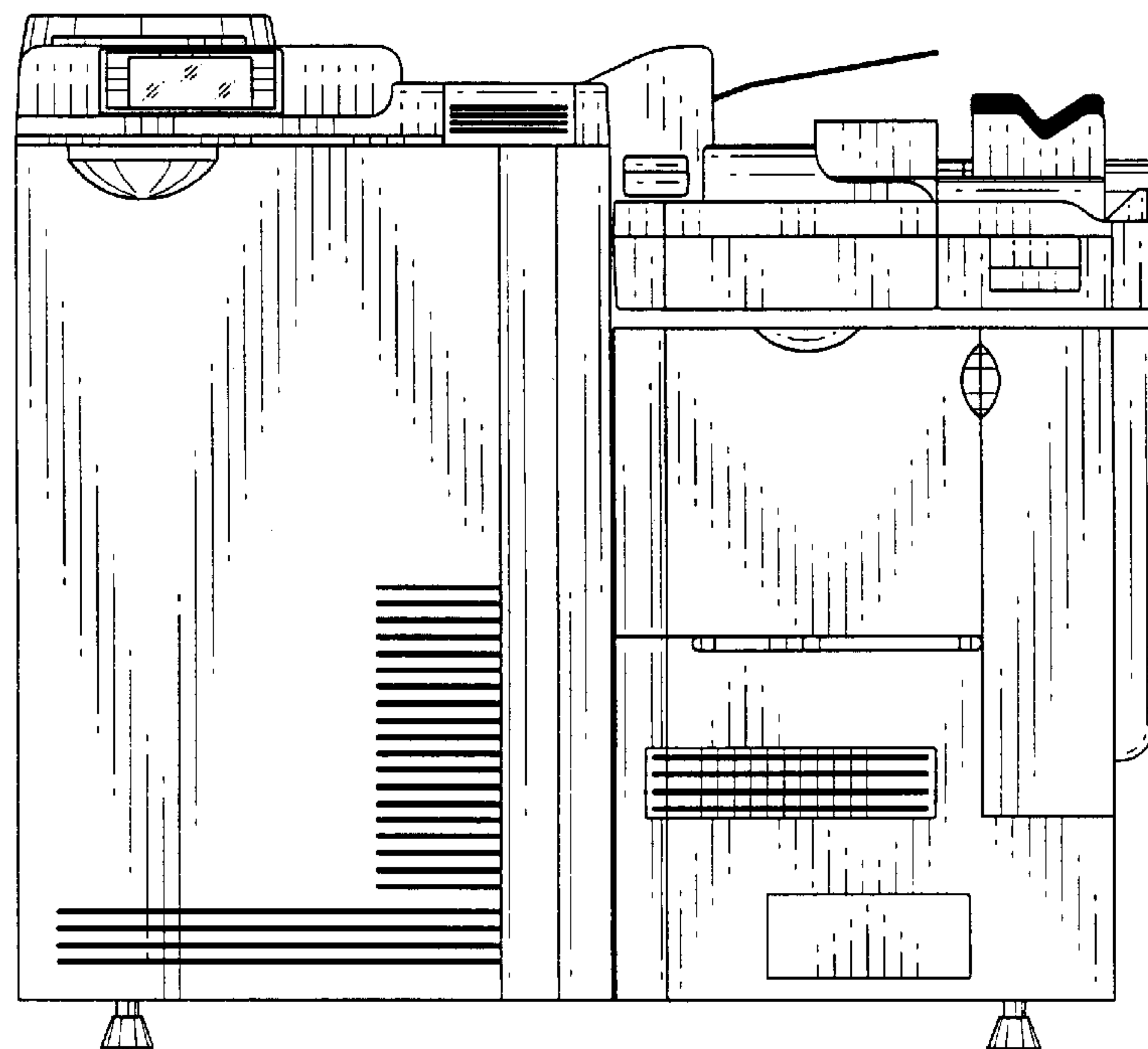


FIG.3

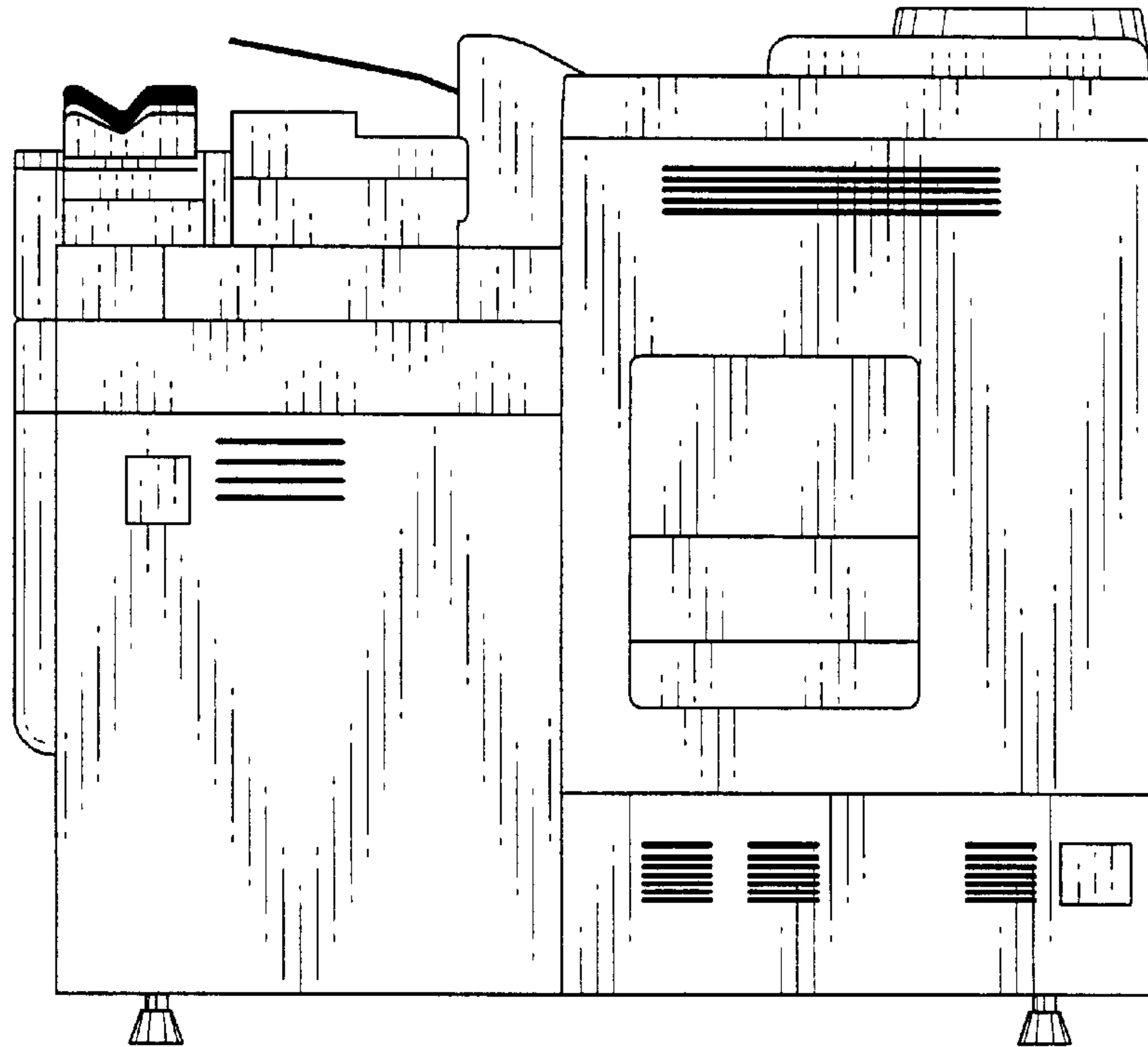


FIG.4

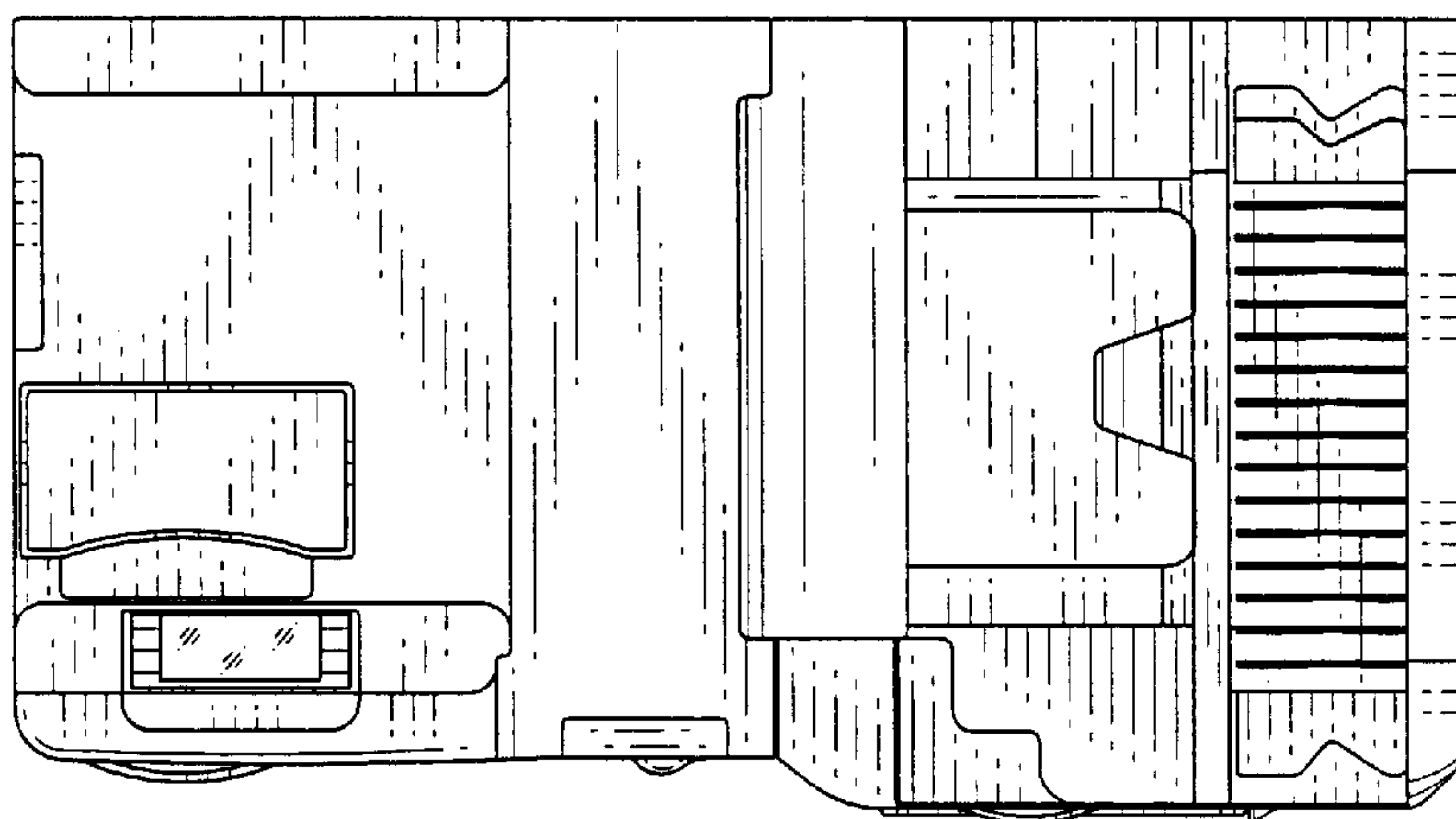


FIG.5

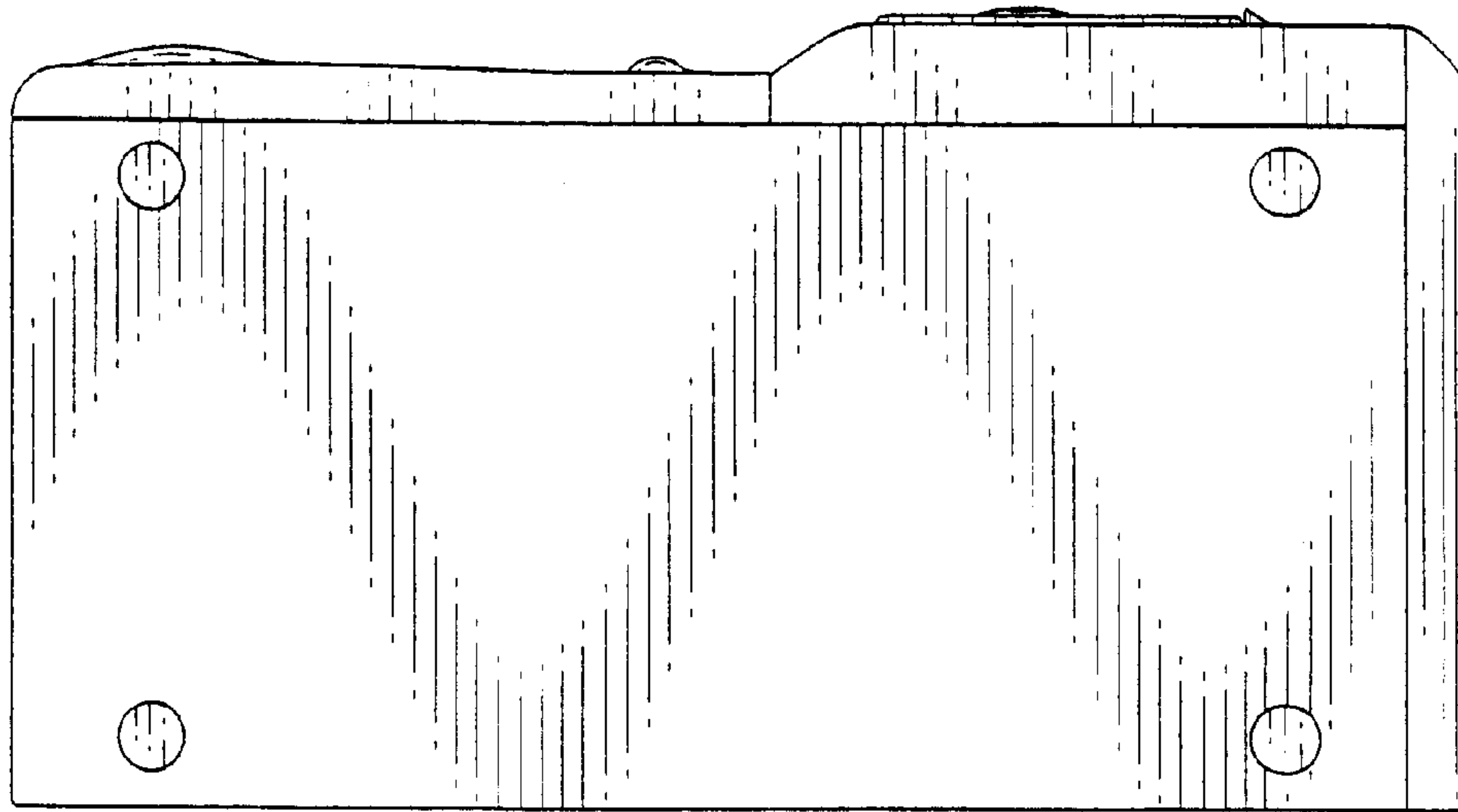


FIG.6

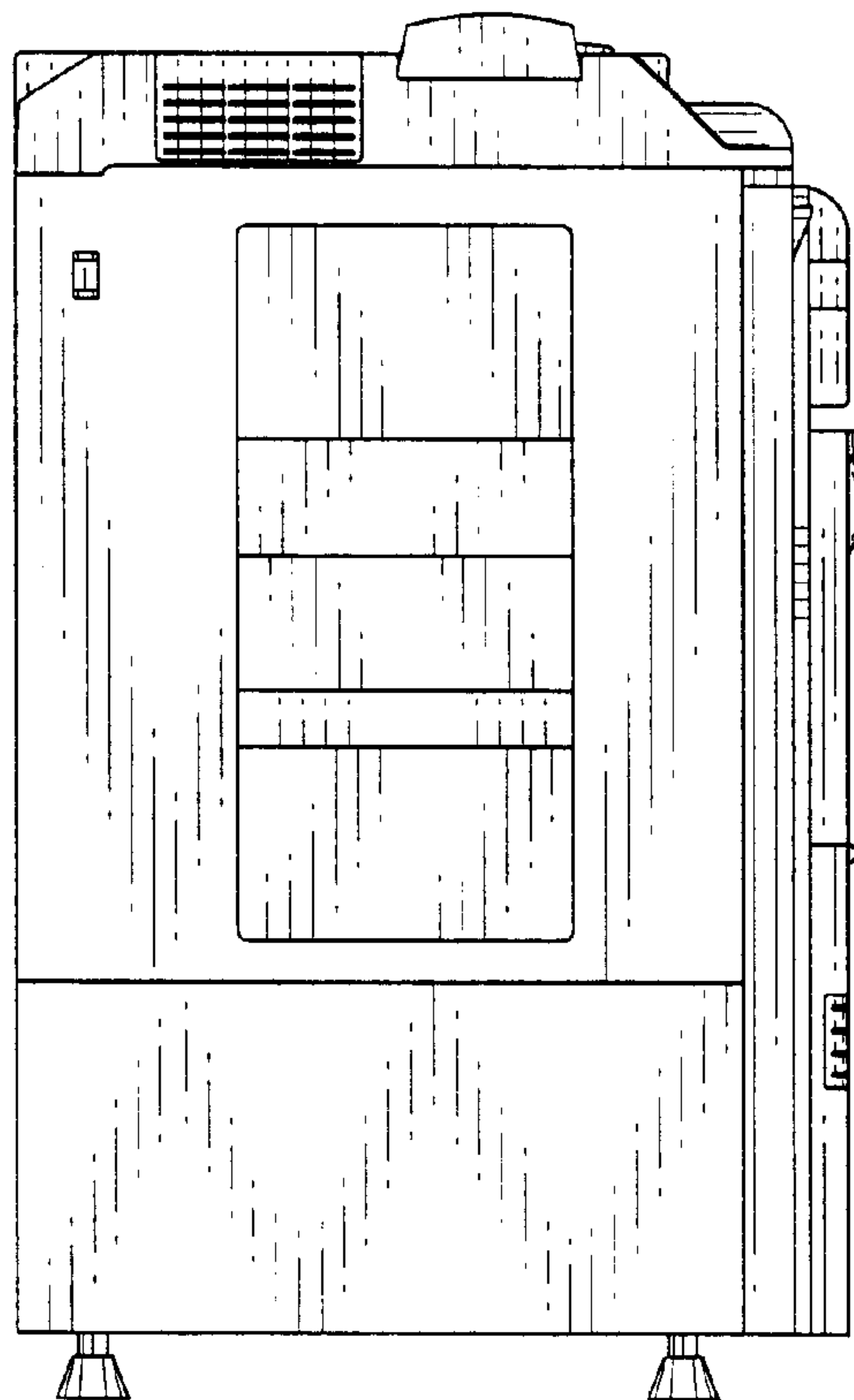


FIG. 7

