



US00D533215S

(12) **United States Design Patent**  
**Ishii et al.**

(10) **Patent No.:** **US D533,215 S**  
(45) **Date of Patent:** **\*\* Dec. 5, 2006**

(54) **TONER CARTRIDGE**

(75) Inventors: **Makoto Ishii**, Nagoya (JP); **Fumio Morita**, Haguri-gun (JP); **Fumikazu Sato**, Inuyama (JP)

(73) Assignee: **Brother Industries, Ltd.**, Nagoya (JP)

(\*\*) Term: **14 Years**

(21) Appl. No.: **29/222,157**

(22) Filed: **Jan. 27, 2005**

(30) **Foreign Application Priority Data**

Aug. 13, 2004 (JP) ..... 2004-024374

(51) **LOC (8) Cl.** ..... **16-03**

(52) **U.S. Cl.** ..... **D18/43**

(58) **Field of Classification Search** ..... D18/12,  
D18/36, 40, 43, 44, 56; D14/462, 469-471;  
222/DIG. 1; 347/197, 222; 399/24-28, 107-112,  
399/119, 121, 122, 222-224; 400/207, 208

See application file for complete search history.

(56) **References Cited**

U.S. PATENT DOCUMENTS

|                 |   |         |                       |         |
|-----------------|---|---------|-----------------------|---------|
| D362,458 S      | * | 9/1995  | Suzuki et al. ....    | D18/43  |
| D422,304 S      |   | 4/2000  | Suzuki et al.         |         |
| 6,081,676 A     | * | 6/2000  | Inomata .....         | 399/25  |
| D442,216 S      |   | 5/2001  | Kimura et al.         |         |
| D443,636 S      | * | 6/2001  | Kurosawa et al. ....  | D18/43  |
| D460,980 S      | * | 7/2002  | Matsuzaki et al. .... | D18/40  |
| D471,228 S      |   | 3/2003  | Okabe et al.          |         |
| D507,596 S      | * | 7/2005  | Kobayashi et al. .... | D18/43  |
| D507,597 S      | * | 7/2005  | Kobayashi et al. .... | D18/43  |
| D507,809 S      | * | 7/2005  | Kobayashi et al. .... | D18/43  |
| D510,947 S      | * | 10/2005 | Ishii et al. ....     | D18/43  |
| D511,542 S      | * | 11/2005 | Ishii et al. ....     | D18/43  |
| 6,975,822 B1    | * | 12/2005 | Kunou et al. ....     | 399/109 |
| D518,851 S      | * | 4/2006  | Awano et al. ....     | D18/40  |
| 2001/0043814 A1 | * | 11/2001 | Abe .....             | 399/27  |
| 2002/0076235 A1 | * | 6/2002  | Matsuzaki .....       | 399/111 |
| 2003/0031481 A1 | * | 2/2003  | Miho .....            | 399/222 |
| 2005/0053394 A1 | * | 3/2005  | Ishii et al. ....     | 399/111 |
| 2005/0276631 A1 | * | 12/2005 | Mori .....            | 399/111 |
| 2006/0029422 A1 | * | 2/2006  | Shiraki .....         | 399/111 |
| 2006/0034633 A1 | * | 2/2006  | Tsusaka et al. ....   | 399/107 |

OTHER PUBLICATIONS

- U.S. Appl. No. 29/197,016, filed Jan. 8, 2004, Suzuki et al.
- U.S. Appl. No. 29/197,018, filed Jan. 8, 2004, Kobayashi et al.
- U.S. Appl. No. 29/197,019, filed Jan. 8, 2004, Kobayashi et al.
- U.S. Appl. No. 29/197,020, filed Jan. 8, 2004, Kobayashi et al.
- U.S. Appl. No. 29/197,021, filed Jan. 8, 2004, Kobayashi et al.
- U.S. Appl. No. 29/197,022, filed Jan. 8, 2004, Kobayashi et al.
- U.S. Appl. No. 29/197,023, filed Jan. 8, 2004, Suzuki et al.
- U.S. Appl. No. 29/197,046, filed Jan. 8, 2004, Kobayashi et al.
- U.S. Appl. No. 29/196,953, filed Jan. 8, 2004, Kobayashi et al.
- U.S. Appl. No. 29/199,278, filed Feb. 12, 2004, Ishii et al.
- U.S. Appl. No. 29/199,251, filed Feb. 12, 2004, Ishii et al.
- U.S. Appl. No. 29/199,336, filed Feb. 12, 2004, Ishii et al.
- U.S. Appl. No. 29/199,333, filed Feb. 12, 2004, Ishii et al.
- U.S. Appl. No. 29/199,275, filed Feb. 12, 2004, Ishii et al.

\* cited by examiner

*Primary Examiner*—Caron Veynar  
*Assistant Examiner*—Garth Rademaker  
(74) *Attorney, Agent, or Firm*—Oliff & Berridge, PLC

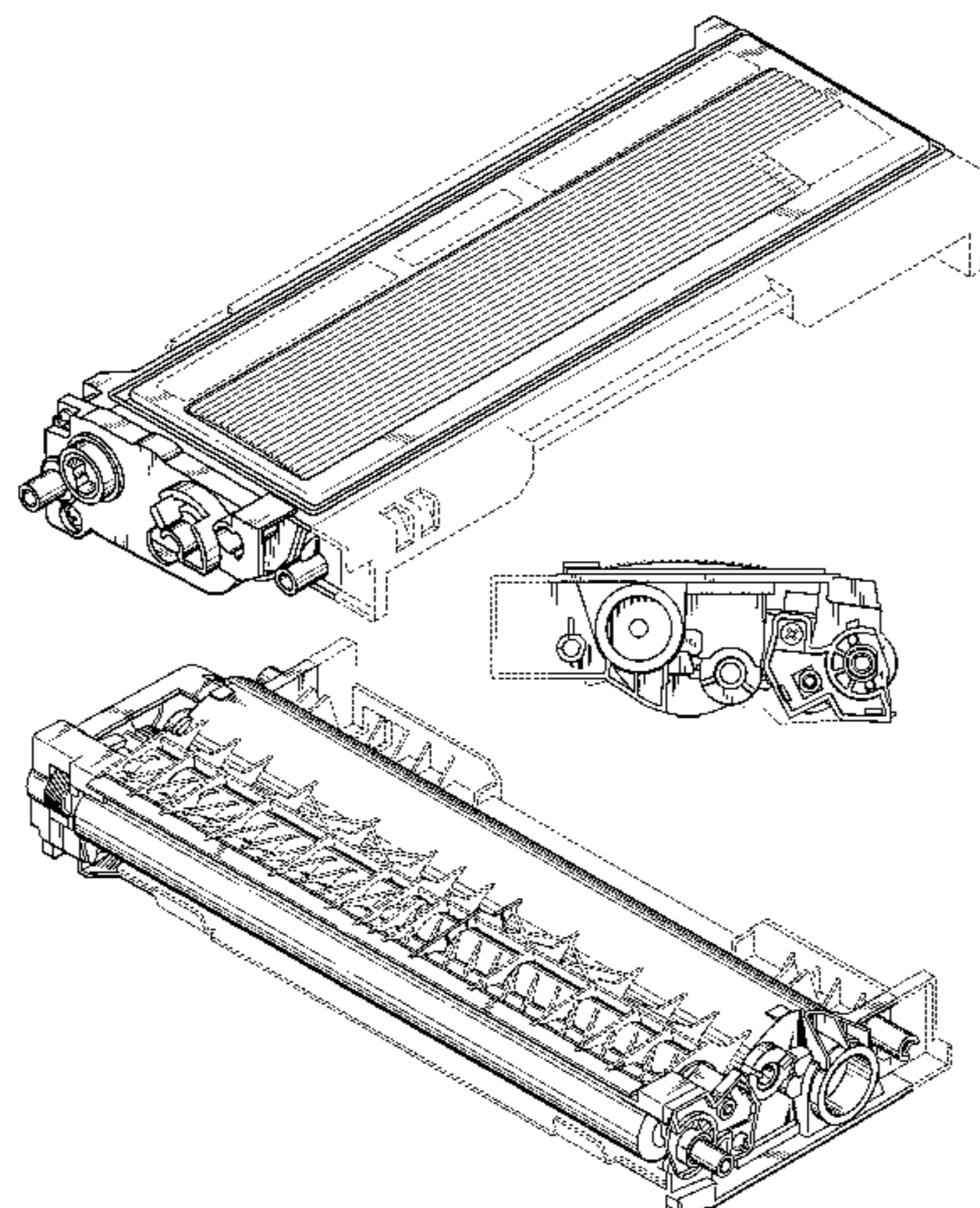
(57) **CLAIM**

The ornamental design for a toner cartridge, as shown and described.

**DESCRIPTION**

FIG. 1 is a front view of a toner cartridge;  
FIG. 2 is a top view thereof;  
FIG. 3 is a right-side view thereof;  
FIG. 4 is a left-side view thereof;  
FIG. 5 is a rear view thereof;  
FIG. 6 is a bottom view thereof;  
FIG. 7 is a perspective view thereof; and,  
FIG. 8 is another perspective view thereof.  
The broken line showing is for illustrative purposes only and forms no part of the claimed design.

**1 Claim, 5 Drawing Sheets**



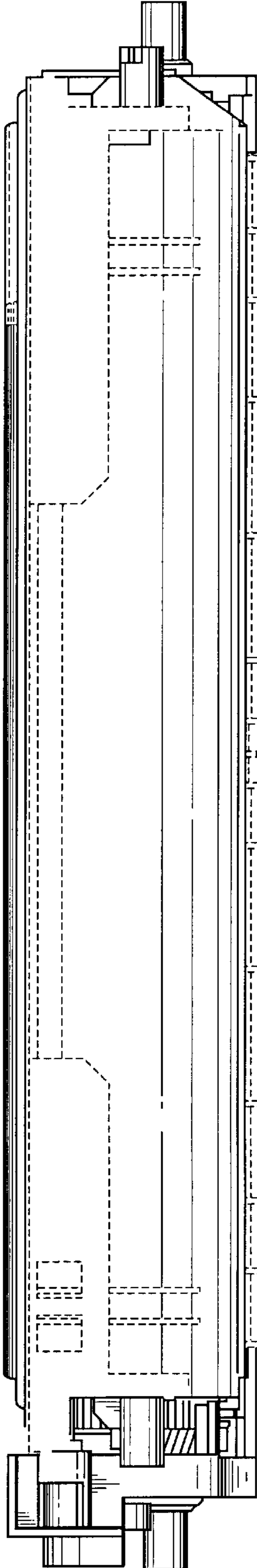


FIG. 1

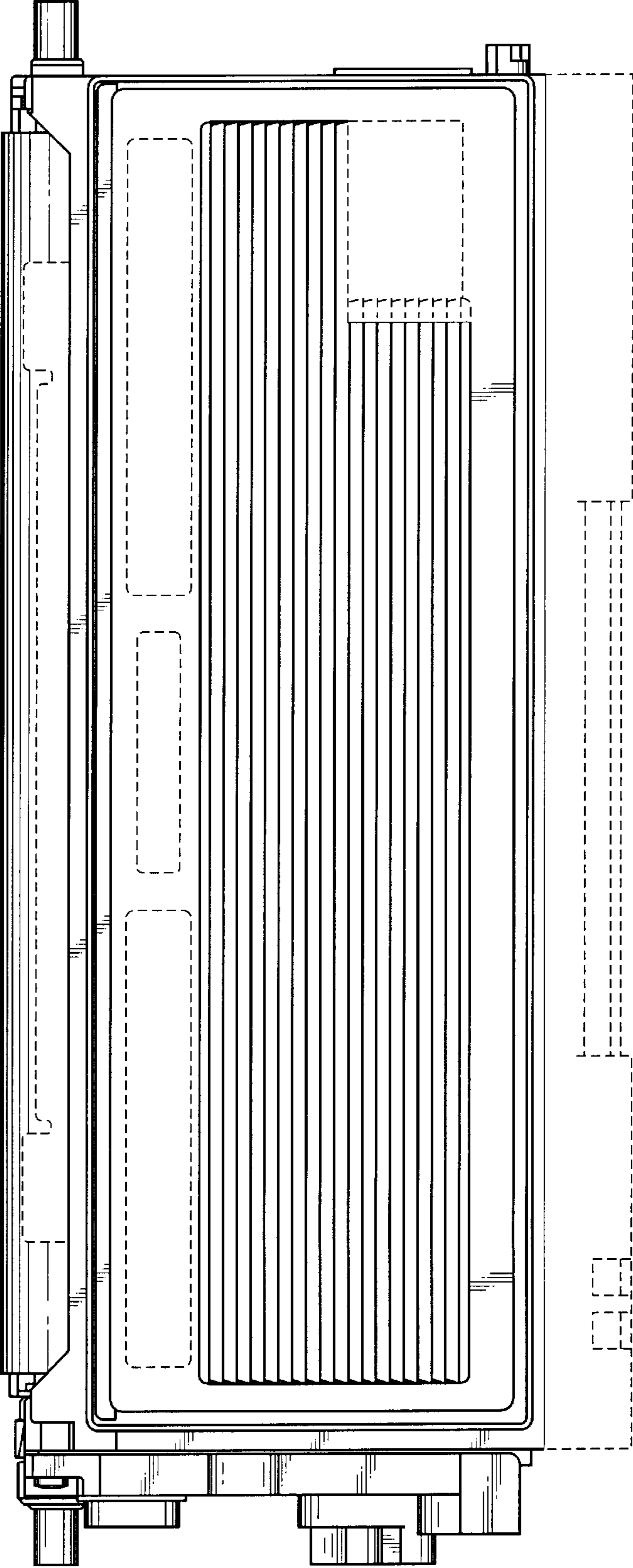


FIG. 2

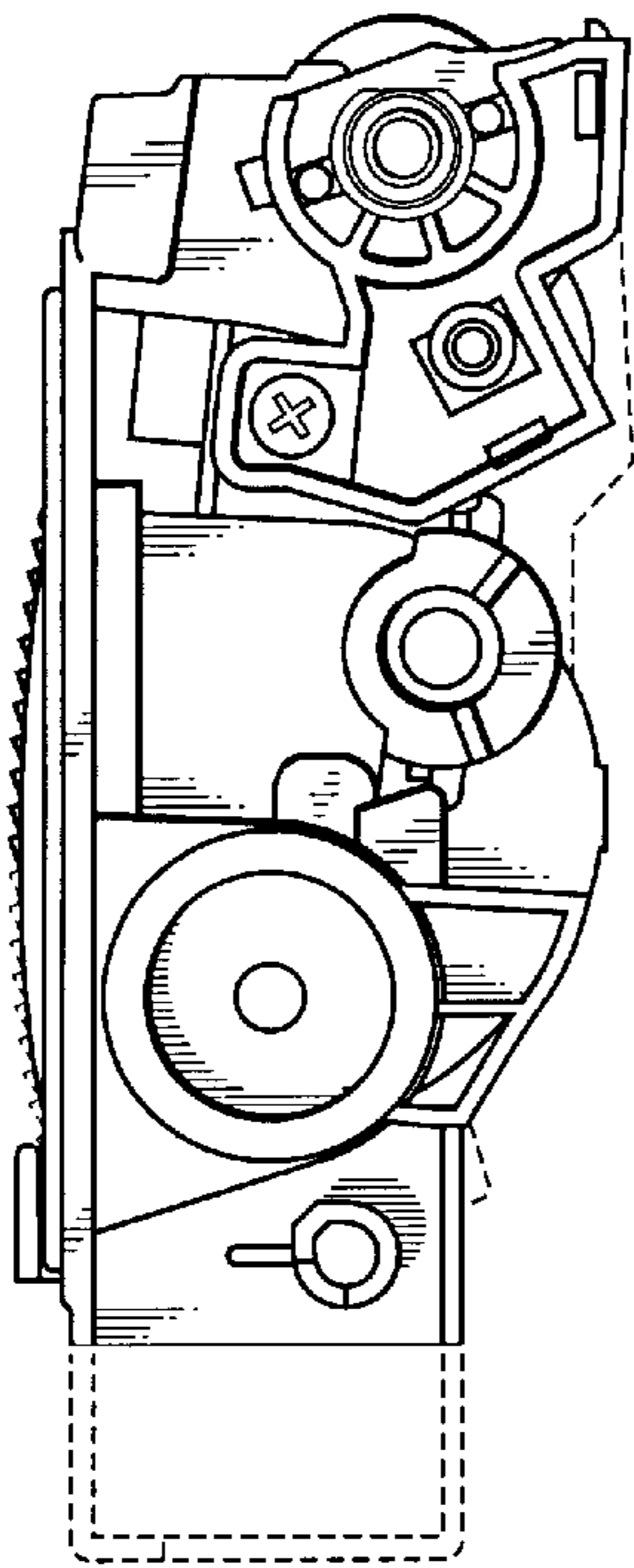


FIG. 3

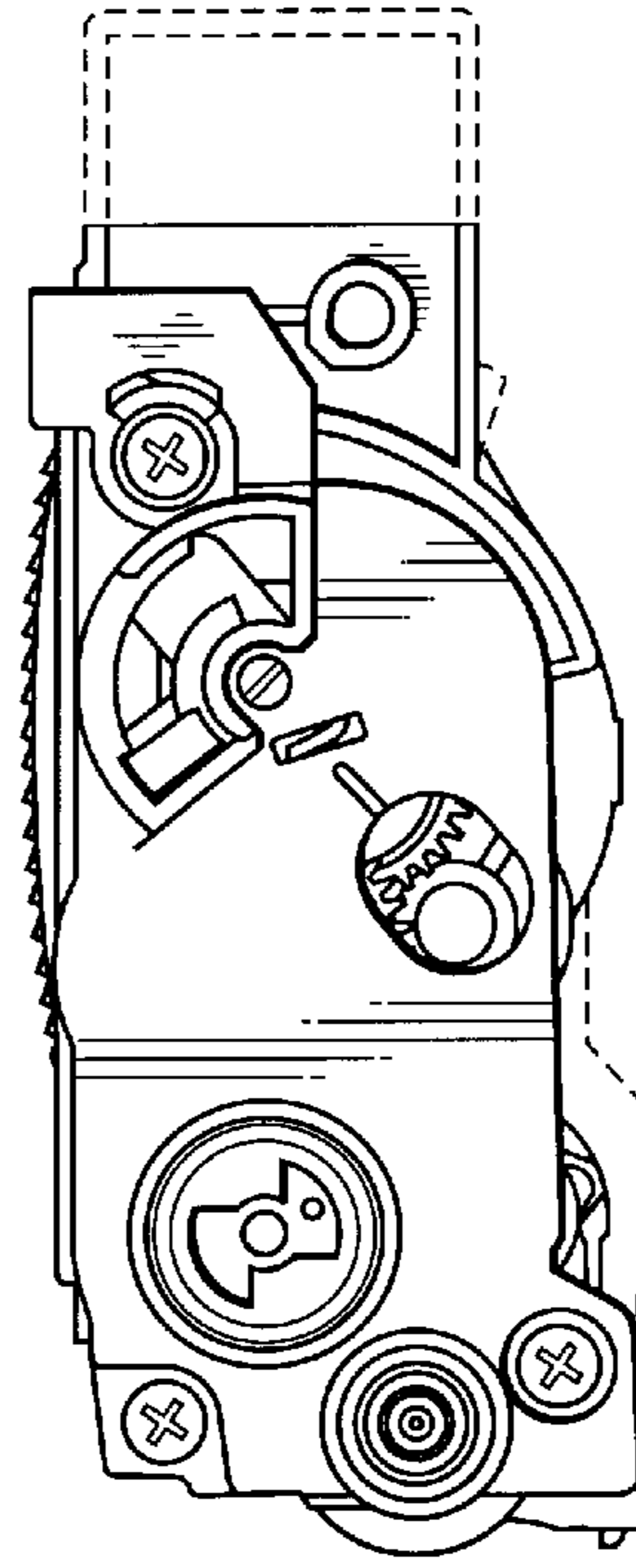


FIG. 4



FIG. 5

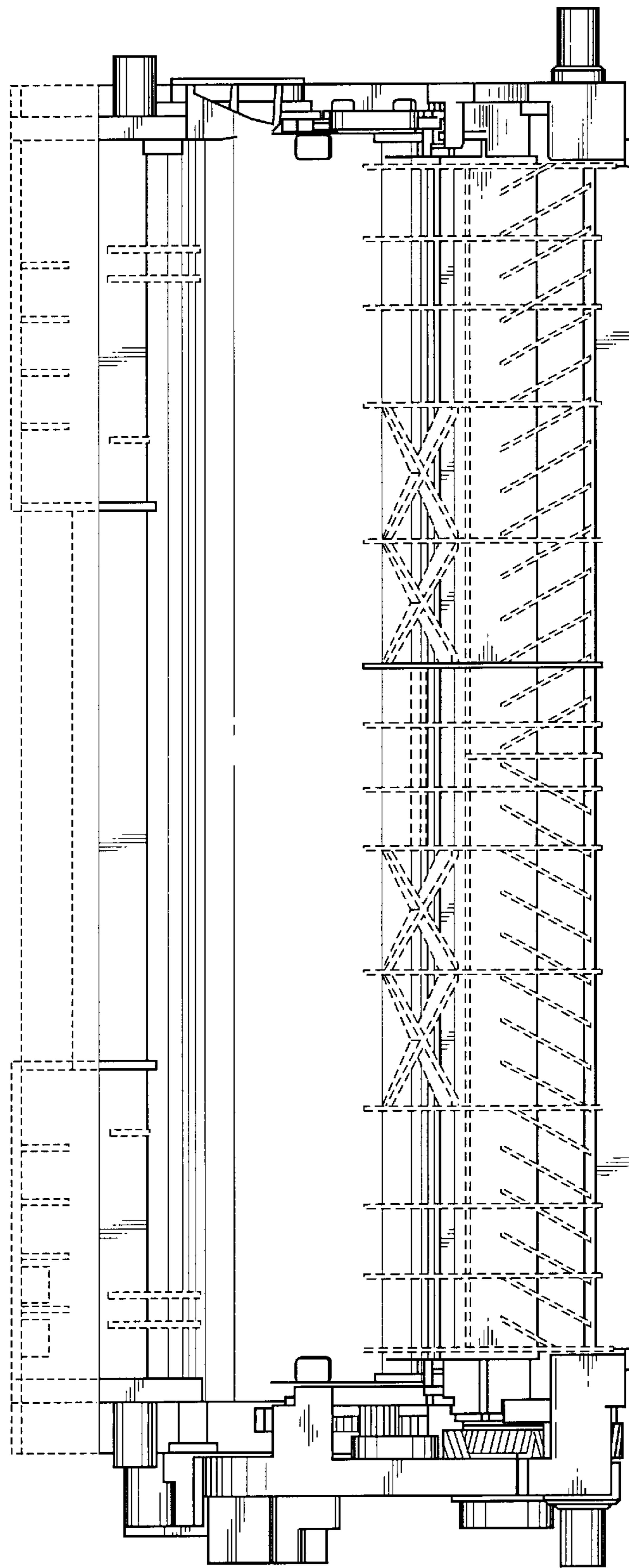


FIG. 6

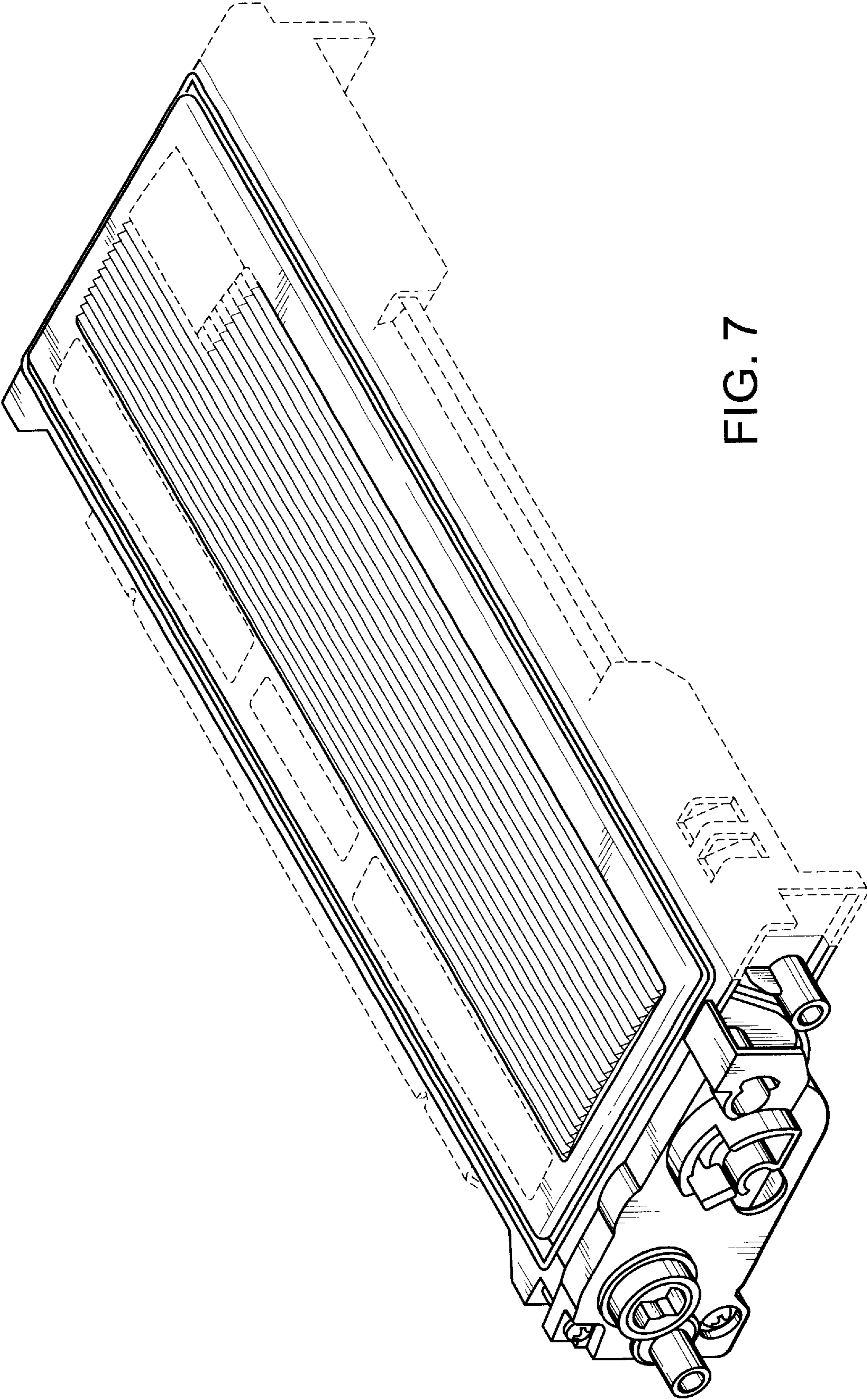


FIG. 7

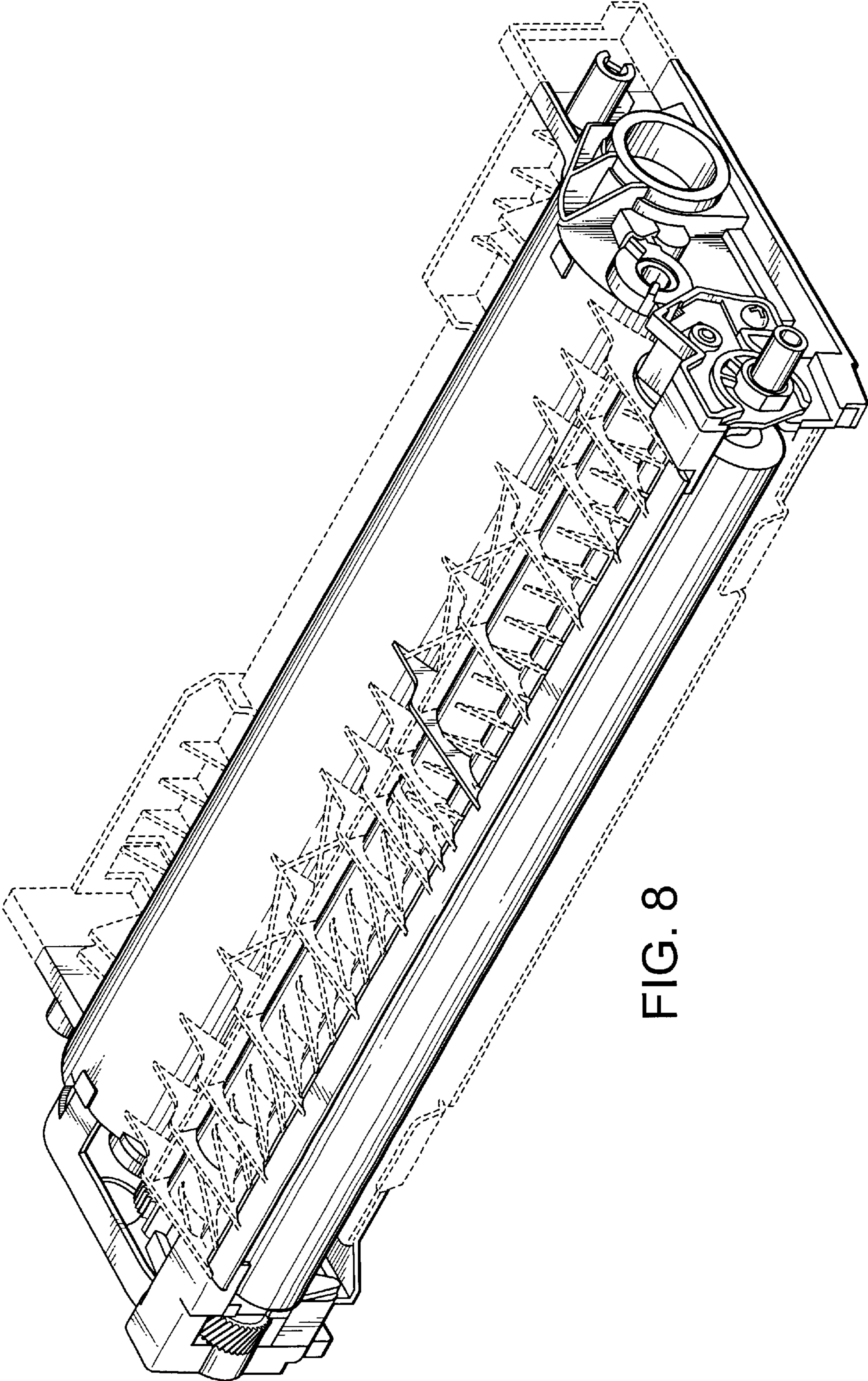


FIG. 8