



US00D533214S

(12) **United States Design Patent** (10) **Patent No.:** **US D533,214 S**
Oas (45) **Date of Patent:** **** Dec. 5, 2006**

(54) **MEMO CALCULATOR**

(75) Inventor: **Daniel Oas**, Irwindale, CA (US)

(73) Assignee: **Calibre International, LLC**, Irwindale, CA (US)

(**) Term: **14 Years**

(21) Appl. No.: **29/221,270**

(22) Filed: **Jan. 13, 2005**

(51) **LOC (8) Cl.** **18-01**

(52) **U.S. Cl.** **D18/7**

(58) **Field of Search** D18/1, 2, 6, 7,
D18/11, 12, 12.1, 12.2, 12.3; D10/2, 31,
104; D14/138, 147, 191, 193, 196-198,
341-346, 383, 387, 388, 391-399; D21/512;
235/58 R, 59 A, 59 BC, 59 BD, 59 BE,
59 BF, 59 BG, 59 CP, 59 R, 59 TP, 61 R,
60.22; 455/550.1; 708/100, 105, 130

(56) **References Cited**

U.S. PATENT DOCUMENTS

D302,321 S * 7/1989 Charet et al. D26/37
D382,008 S * 8/1997 Mak D18/2
D437,351 S * 2/2001 Chang et al. D18/2
D455,424 S * 4/2002 Sheth et al. D14/320
D462,082 S * 8/2002 Hsu D18/7
D466,877 S * 12/2002 Hawkins et al. D14/138
D490,100 S * 5/2004 Su et al. D18/2
D502,726 S * 3/2005 Tien D18/2
D502,932 S * 3/2005 Minamide D14/138
D509,203 S * 9/2005 Bertrand et al. D14/138
D514,541 S * 2/2006 Tyneski et al. D14/138

D519,116 S * 4/2006 Tanaka et al. D14/341
2006/0063558 A1 * 3/2006 Scott 455/550.1

OTHER PUBLICATIONS

Hong Kong Enterprises; vol. 6 (Jun.), 2003; p. 365, "Flap Up Calendar Calculator".*

Hong Kong Enterprises; vol. 8 (Aug.), 2003; p. 554, "Calendar and Calculator".*

* cited by examiner

Primary Examiner—Robert M. Spear

Assistant Examiner—Garth Rademaker

(74) *Attorney, Agent, or Firm*—The Soni Law Firm

(57) **CLAIM**

The ornamental design for a memo calculator, as shown and described.

DESCRIPTION

FIG. 1 is a top front perspective view of a memo calculator; FIG. 2 is a front elevation view of the memo calculator of FIG. 1;

FIG. 3 is a left side elevation view of the memo calculator of FIG. 1;

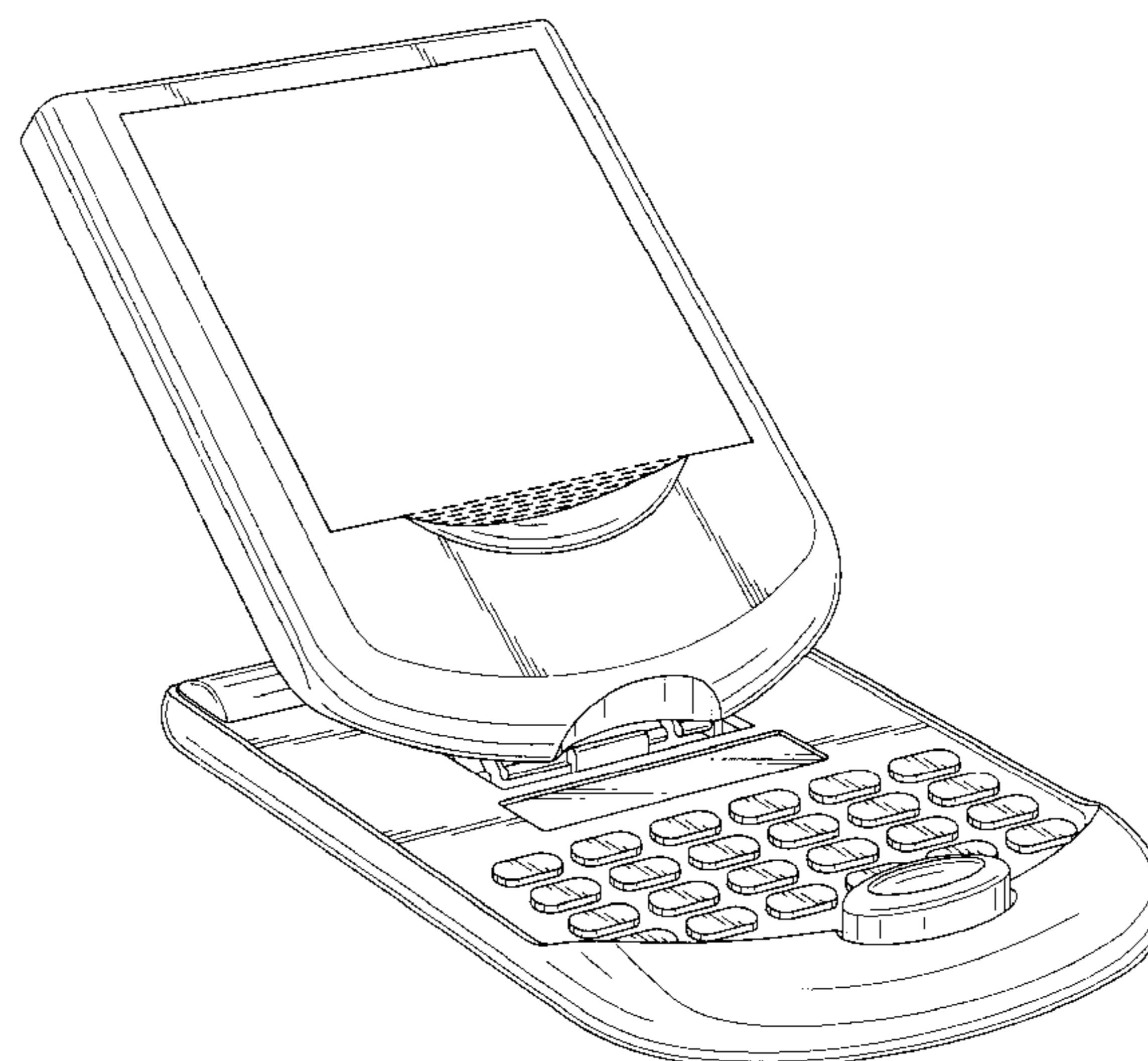
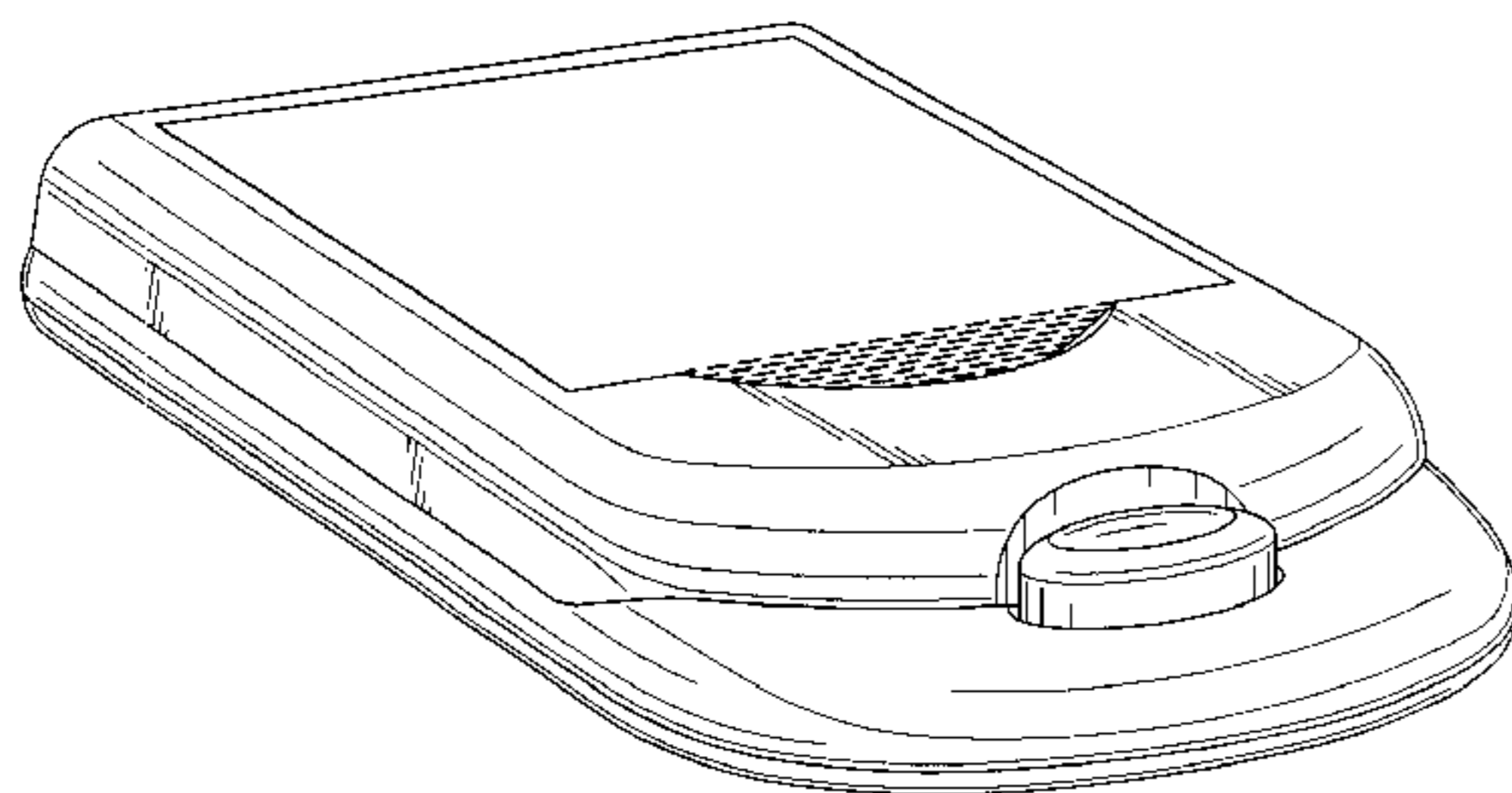
FIG. 4 is a bottom plan view of the memo calculator of FIG. 1;

FIG. 5 is a top plan view of the memo calculator of FIG. 1; FIG. 6 is a back side elevation view of the memo calculator of FIG. 1; and,

FIG. 7 is a top front perspective view of an alternate position of the memo calculator of FIG. 1.

The broken line showing is for illustrative purposes only and forms no part of the claimed design.

1 Claim, 3 Drawing Sheets



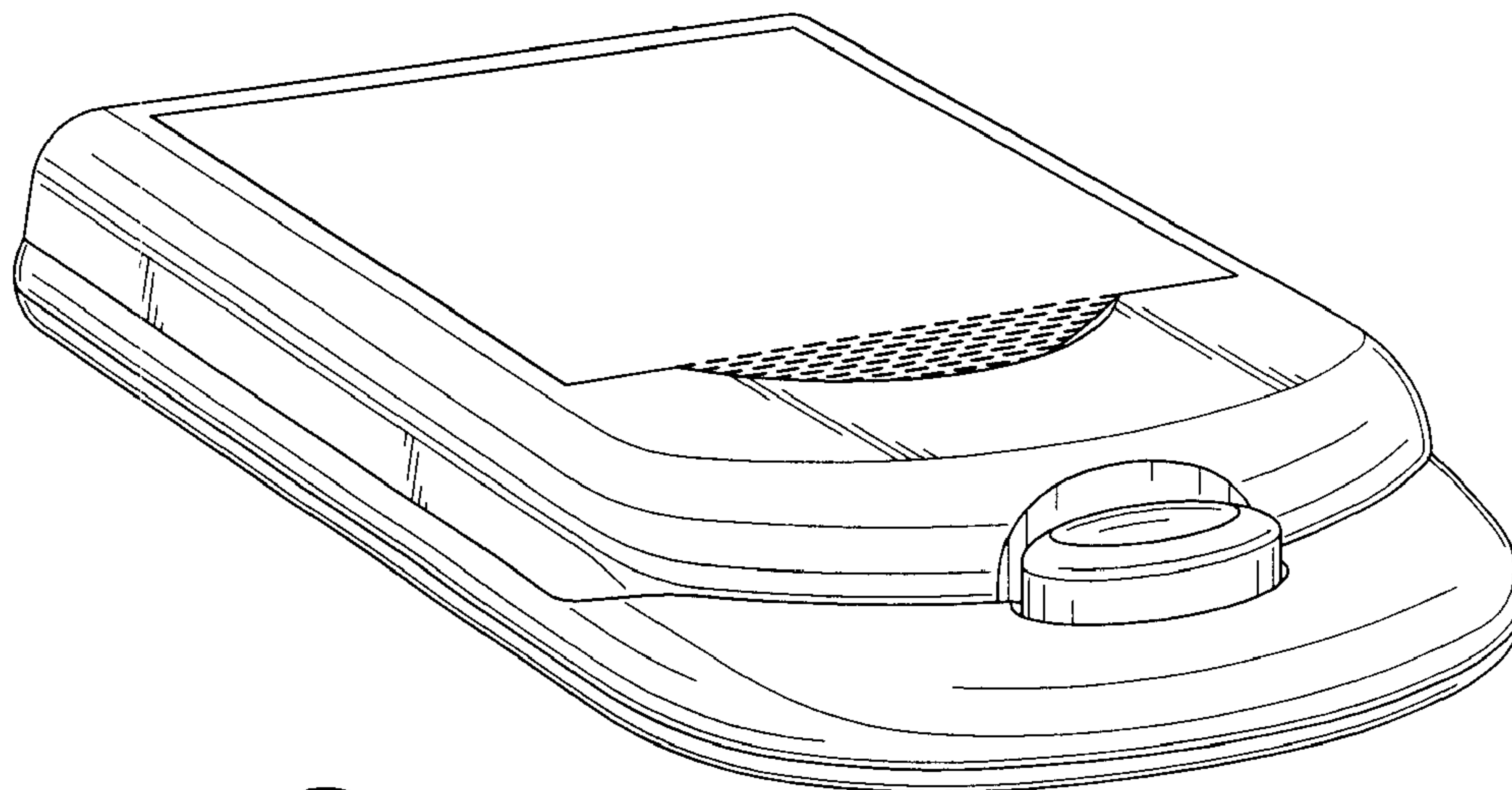


FIG. 1

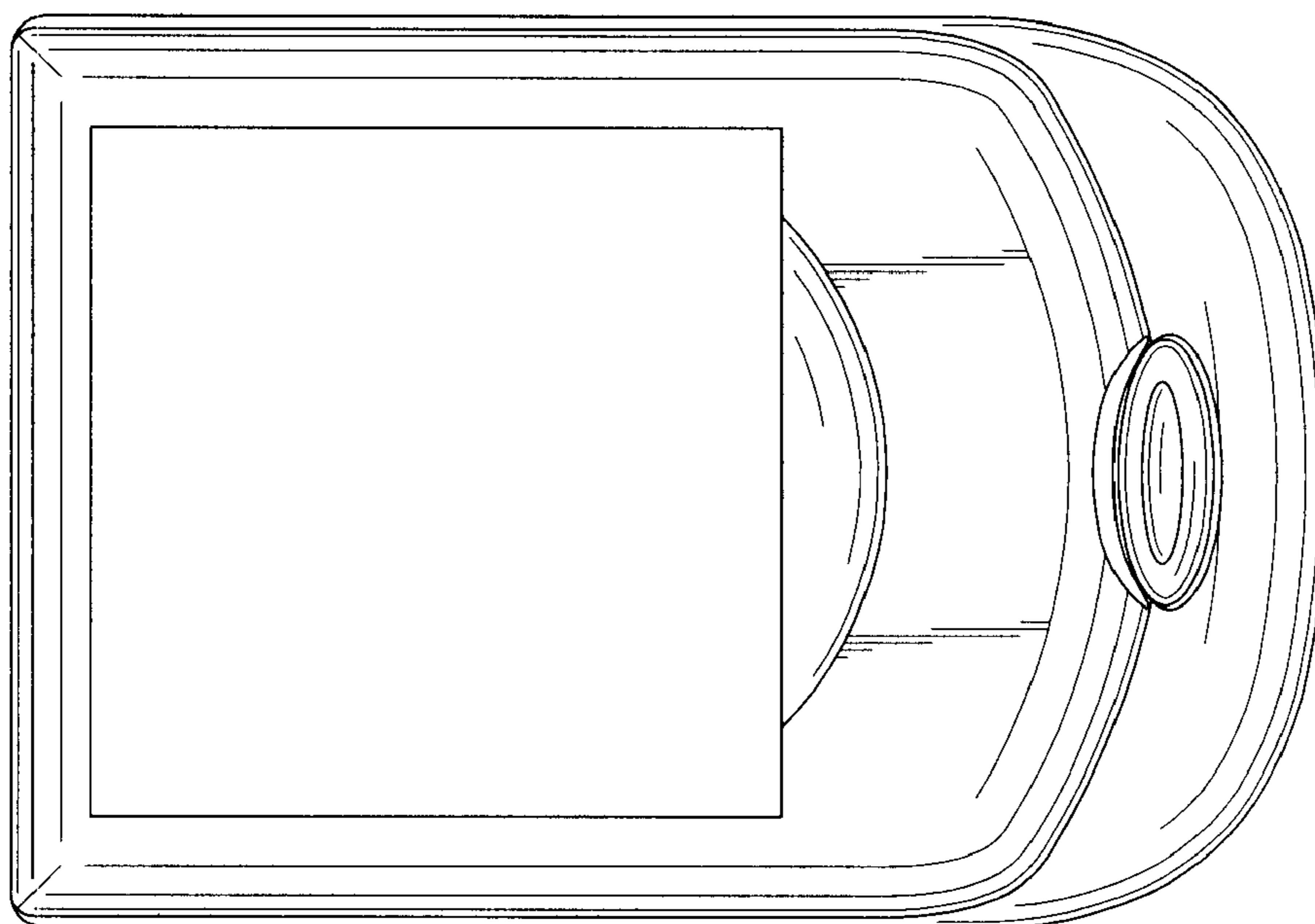


FIG. 2

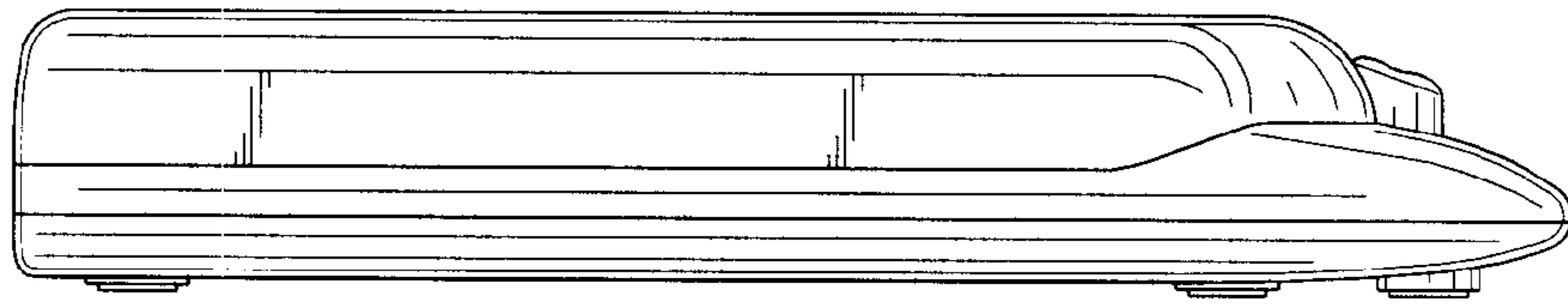


FIG. 3

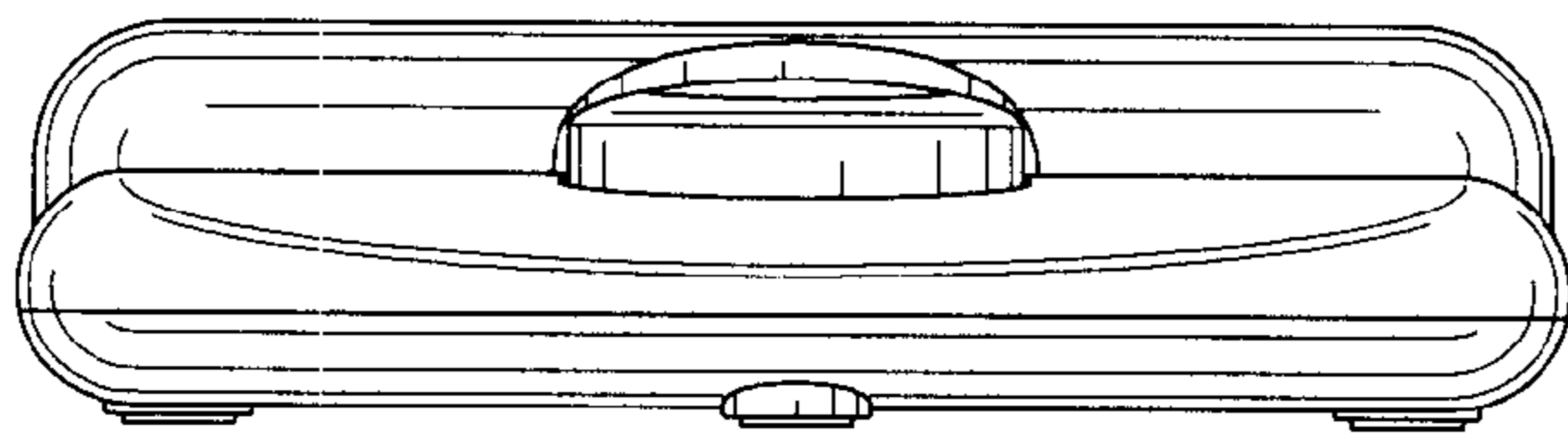


FIG. 4

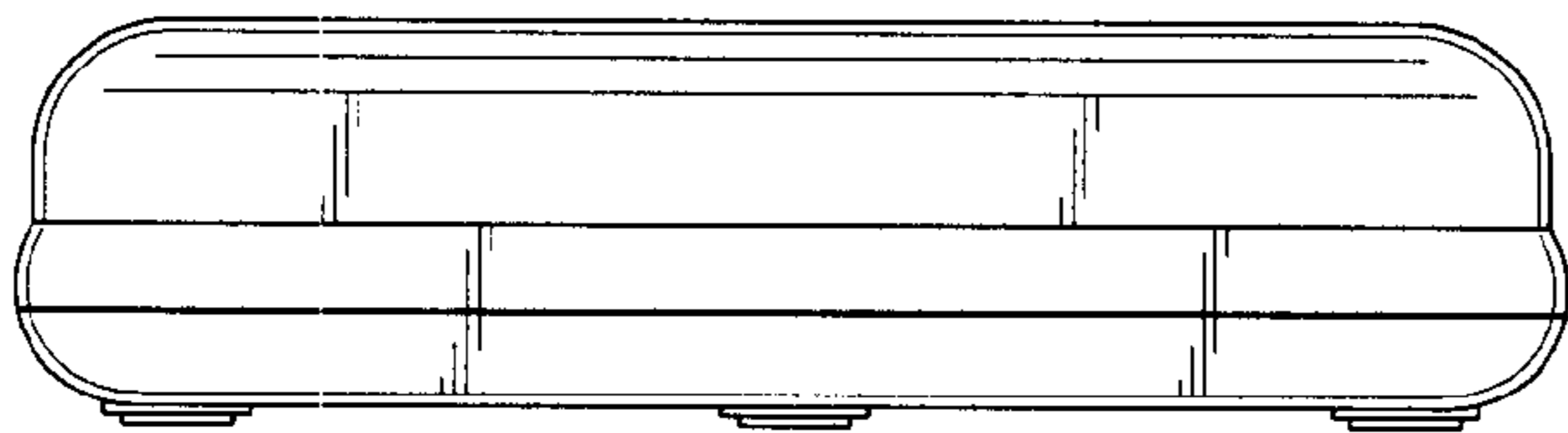


FIG. 5

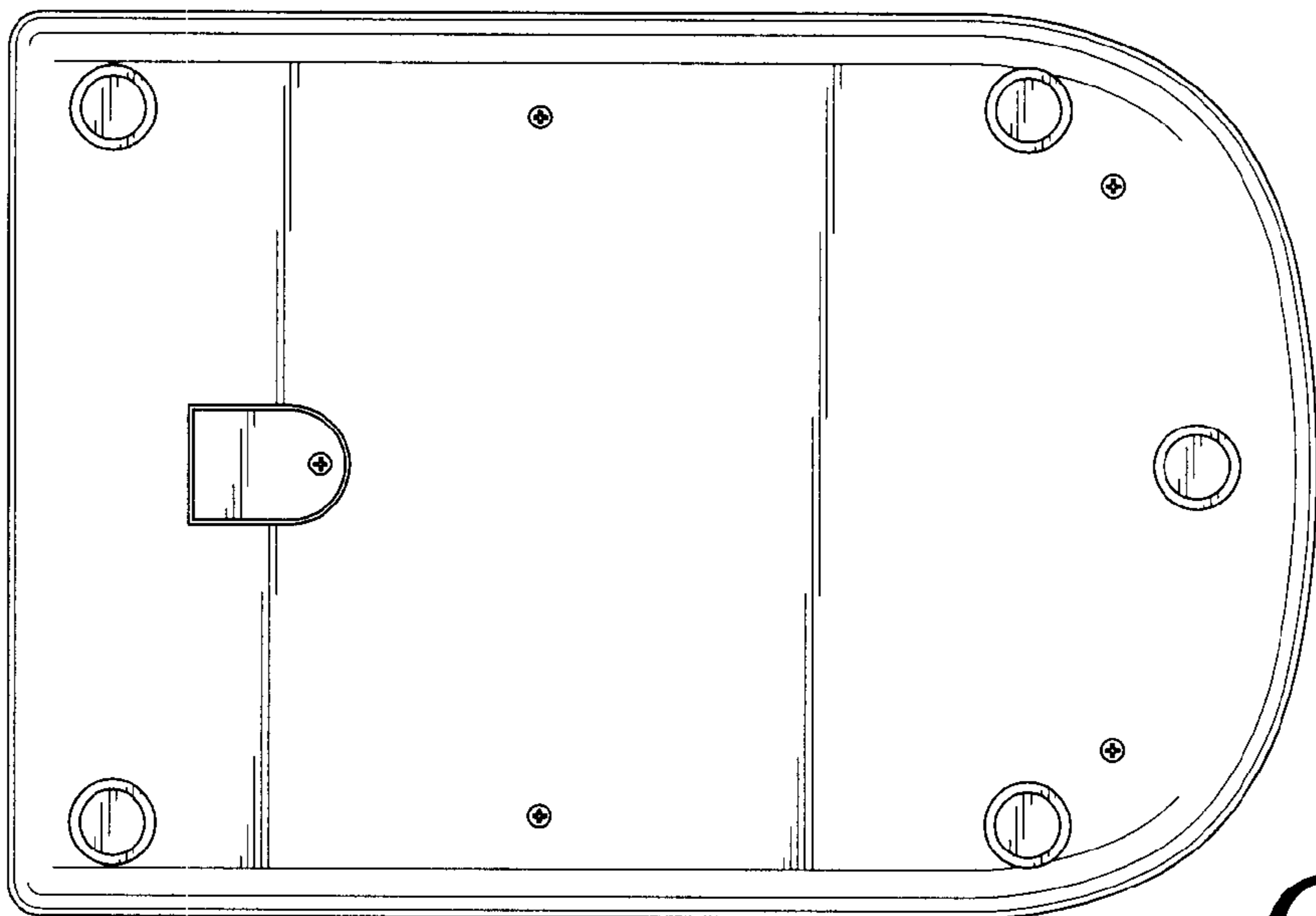


FIG. 6

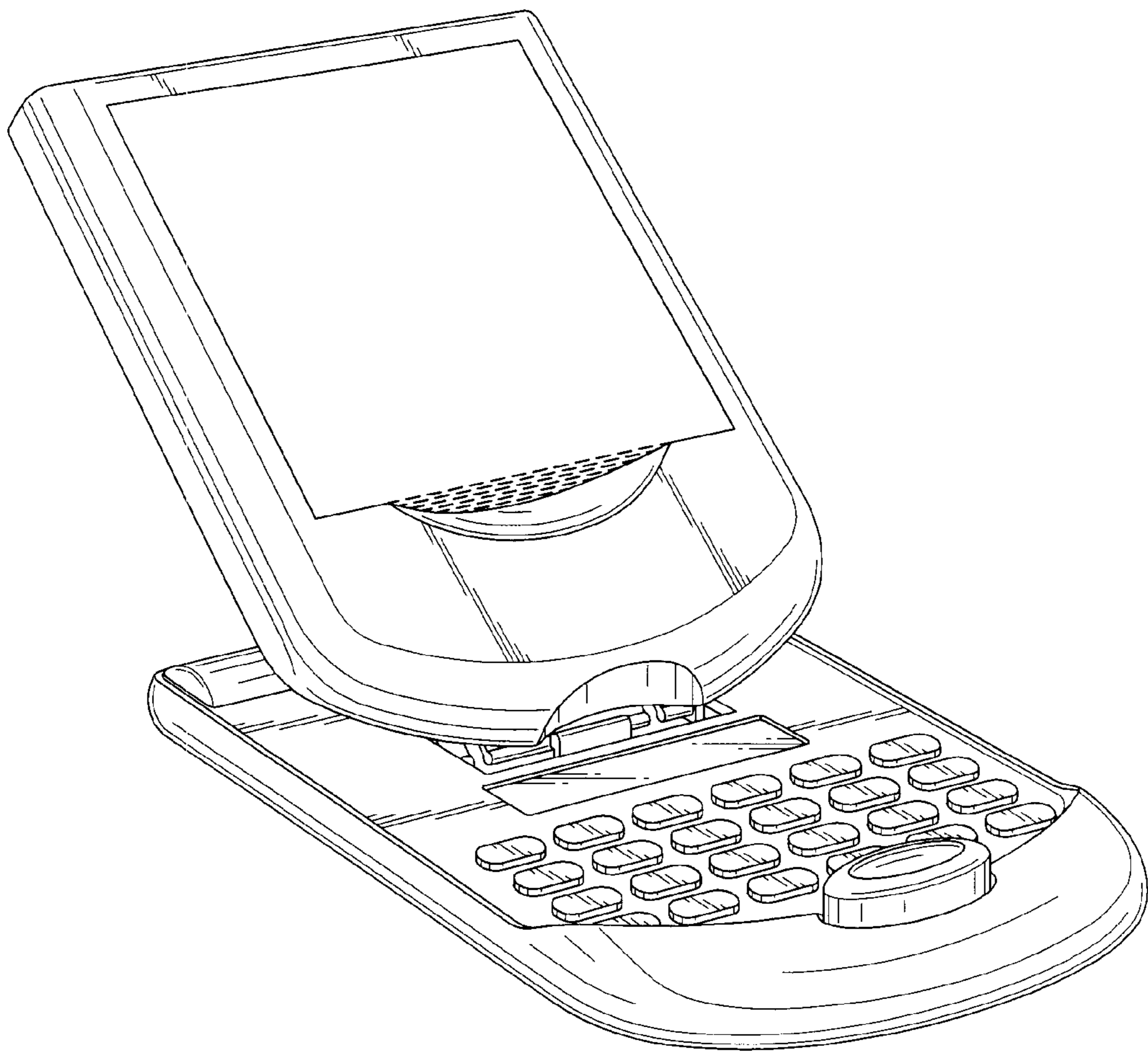


FIG. 7