



US00D533213S

(12) **United States Design Patent**
Oas

(10) **Patent No.:** **US D533,213 S**

(45) **Date of Patent:** **** Dec. 5, 2006**

(54) **CALCULATOR**

(75) Inventor: **Daniel Oas**, Irwindale, CA (US)

(73) Assignee: **Calibre International, LLC**, Irwindale, CA (US)

(**) Term: **14 Years**

(21) Appl. No.: **29/214,729**

(22) Filed: **Oct. 6, 2004**

(51) **LOC (8) Cl.** **18-01**

(52) **U.S. Cl.** **D18/7**

(58) **Field of Classification Search** D18/1,
D18/2, 6, 7, 11, 12, 12.1, 12.2, 12.3; D10/2,
D10/3, 65, 70, 78, 104; D14/191, 193, 197,
D14/198, 218, 314, 341-347, 383-388, 391-396,
D14/399; D21/512; 235/58 R, 59 A, 59 BA-59 BG,
235/59 CP, 59 R, 59 TP, 60.22, 61 R; 708/100,
708/105, 130

See application file for complete search history.

(56) **References Cited**

U.S. PATENT DOCUMENTS

D232,943 S * 9/1974 Maeda D18/7
4,157,588 A * 6/1979 Ebihara et al. D18/7
D283,950 S * 5/1986 Markowitz D18/11
D305,765 S * 1/1990 Davis et al. D14/191
D307,032 S * 4/1990 Sawada et al. D18/7
D410,440 S * 6/1999 Carnell D14/346

D426,849 S * 6/2000 Lee D18/7
D462,084 S * 8/2002 Hsu D18/7
D464,989 S * 10/2002 Bodum D18/7
D466,892 S * 12/2002 Hoornaert et al. D14/346
D468,342 S * 1/2003 Bodum D18/7
D483,796 S * 12/2003 Hsu D18/7
D505,338 S * 5/2005 Li D10/2

* cited by examiner

Primary Examiner—Robert M. Spear

Assistant Examiner—Garth Rademaker

(74) *Attorney, Agent, or Firm*—The Soni Law Firm

(57) **CLAIM**

The ornamental design for a calculator, as shown and described.

DESCRIPTION

FIG. 1 is a top, front perspective view of a calculator, shown in an open position.

FIG. 2 is a front elevation view of the calculator of FIG. 1;

FIG. 3 is a bottom end view of the calculator of FIG. 1;

FIG. 4 is a top end view of the calculator of FIG. 1;

FIG. 5 is a right side view of the calculator of FIG. 1;

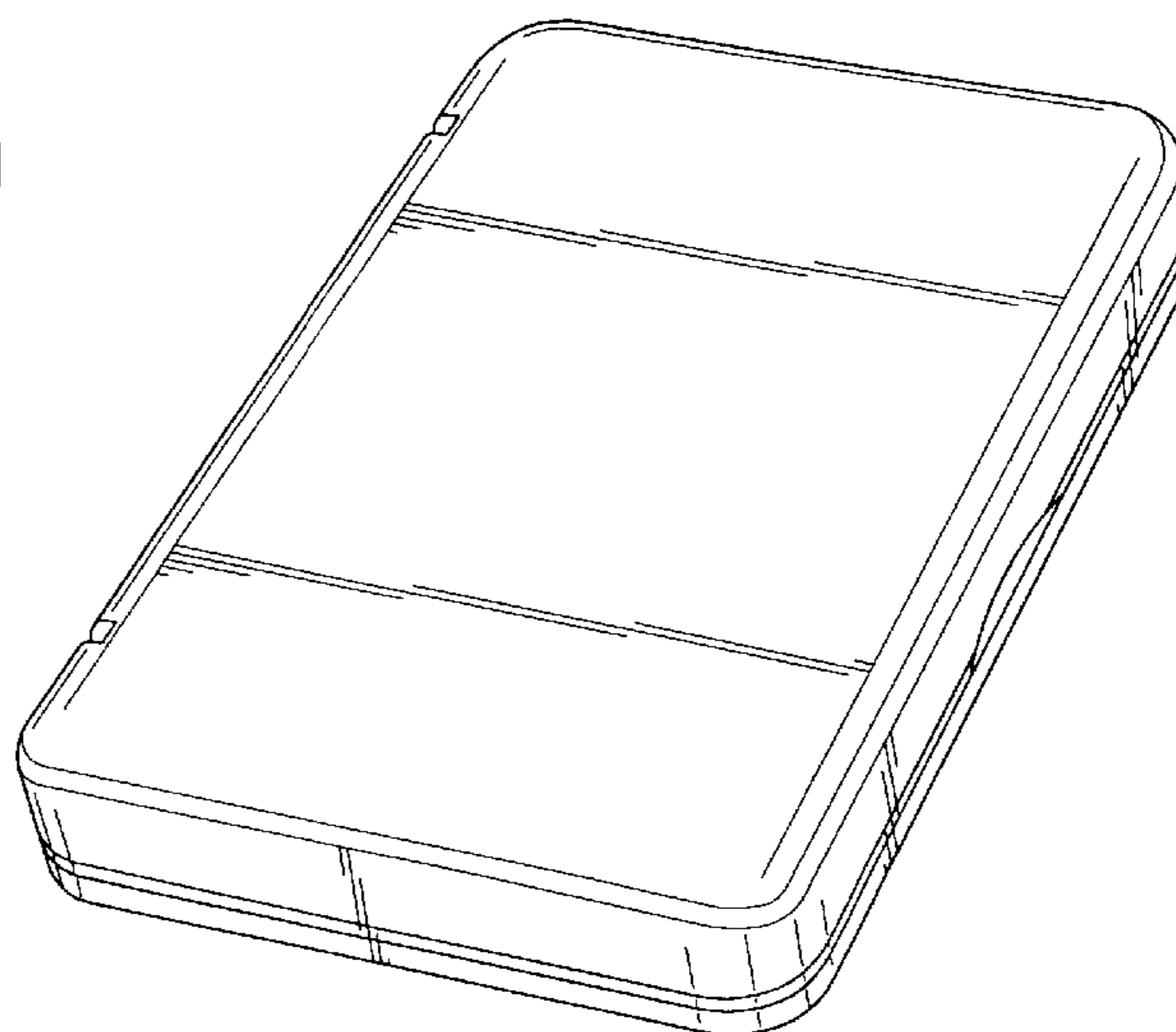
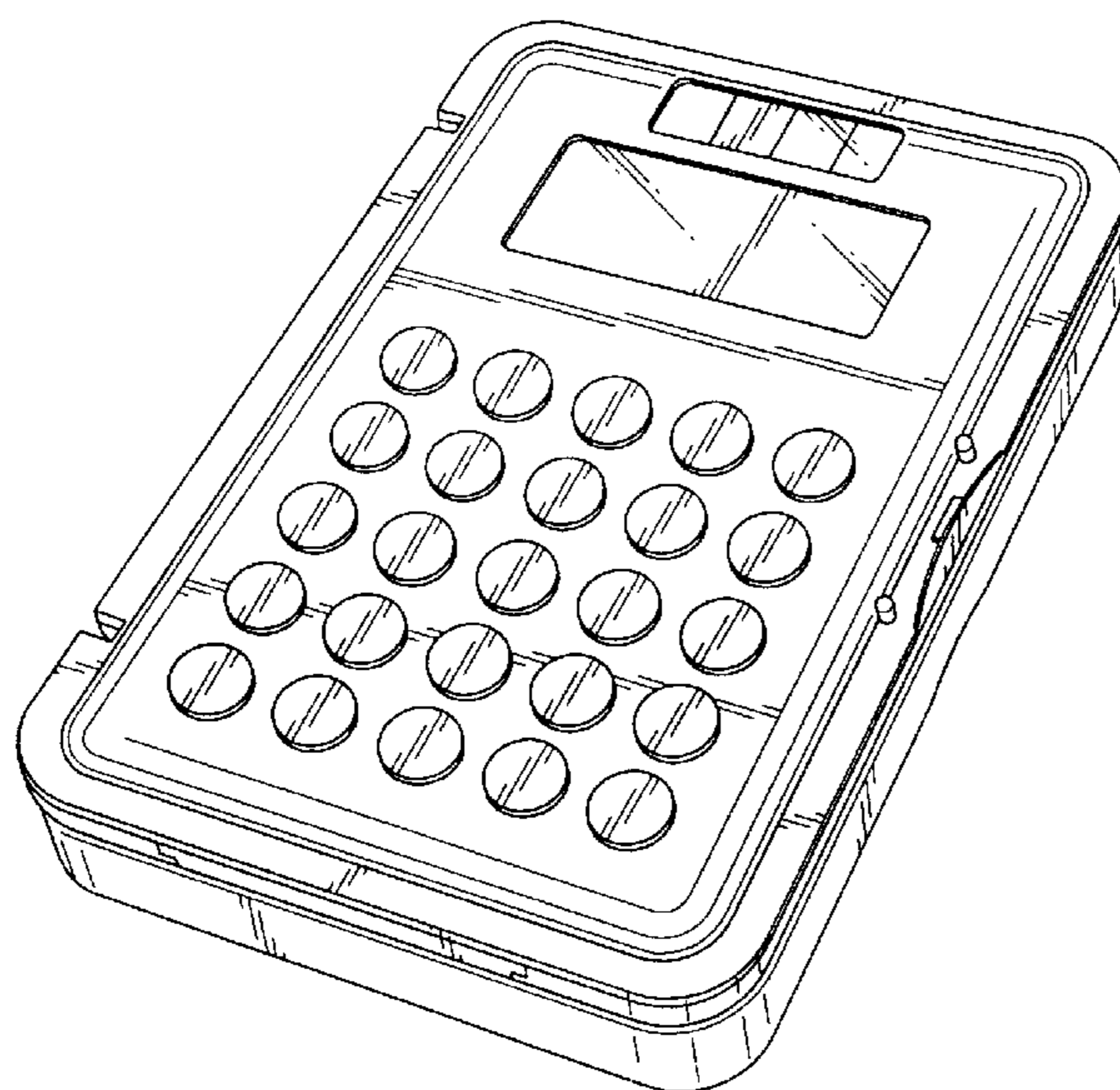
FIG. 6 is a left side view of the calculator of FIG. 1;

FIG. 7 is a rear elevation view of the calculator of FIG. 1;

and,

FIG. 8 is a top, front perspective view thereof, shown in a closed position.

1 Claim, 3 Drawing Sheets



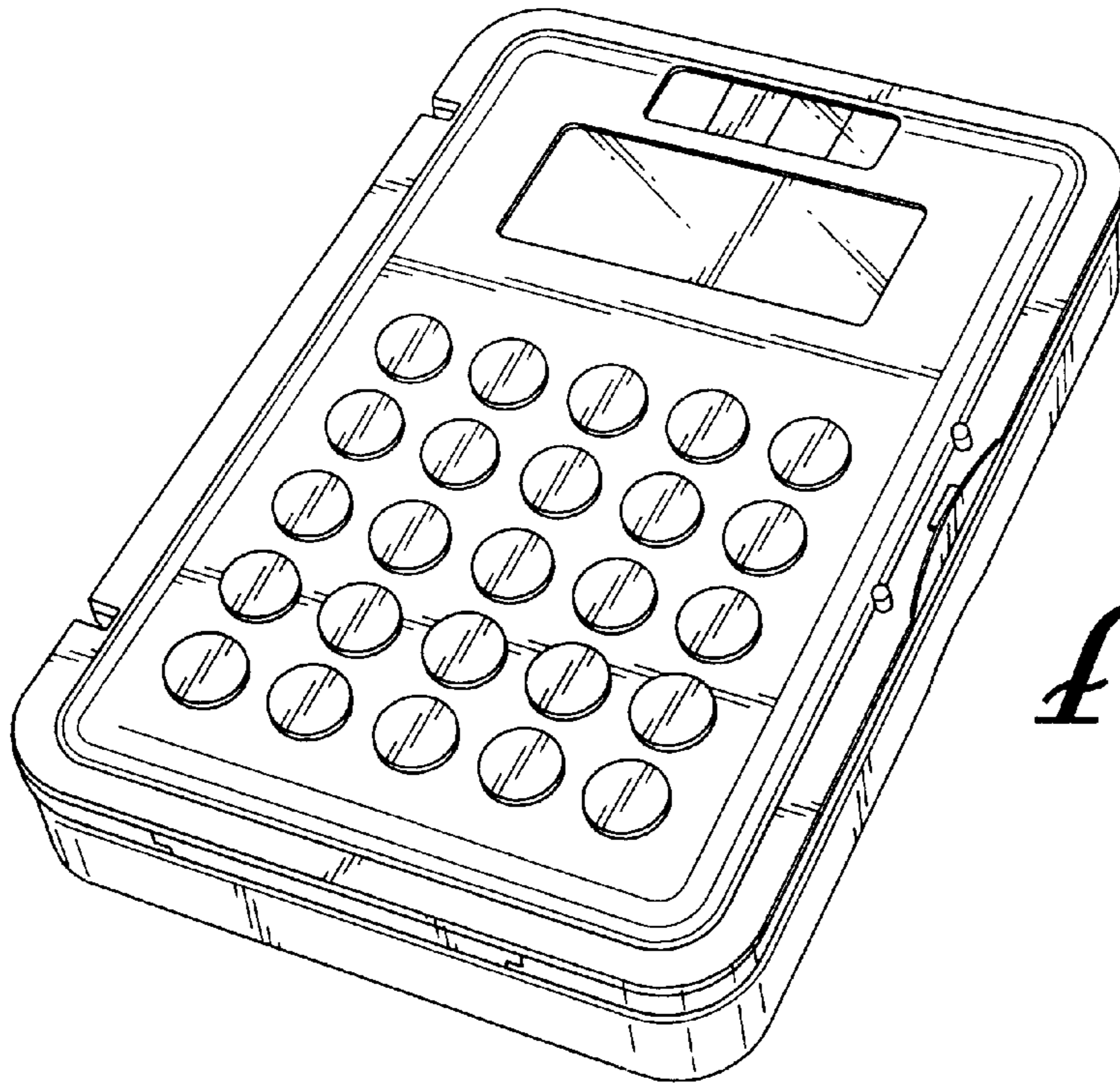


FIG. 1

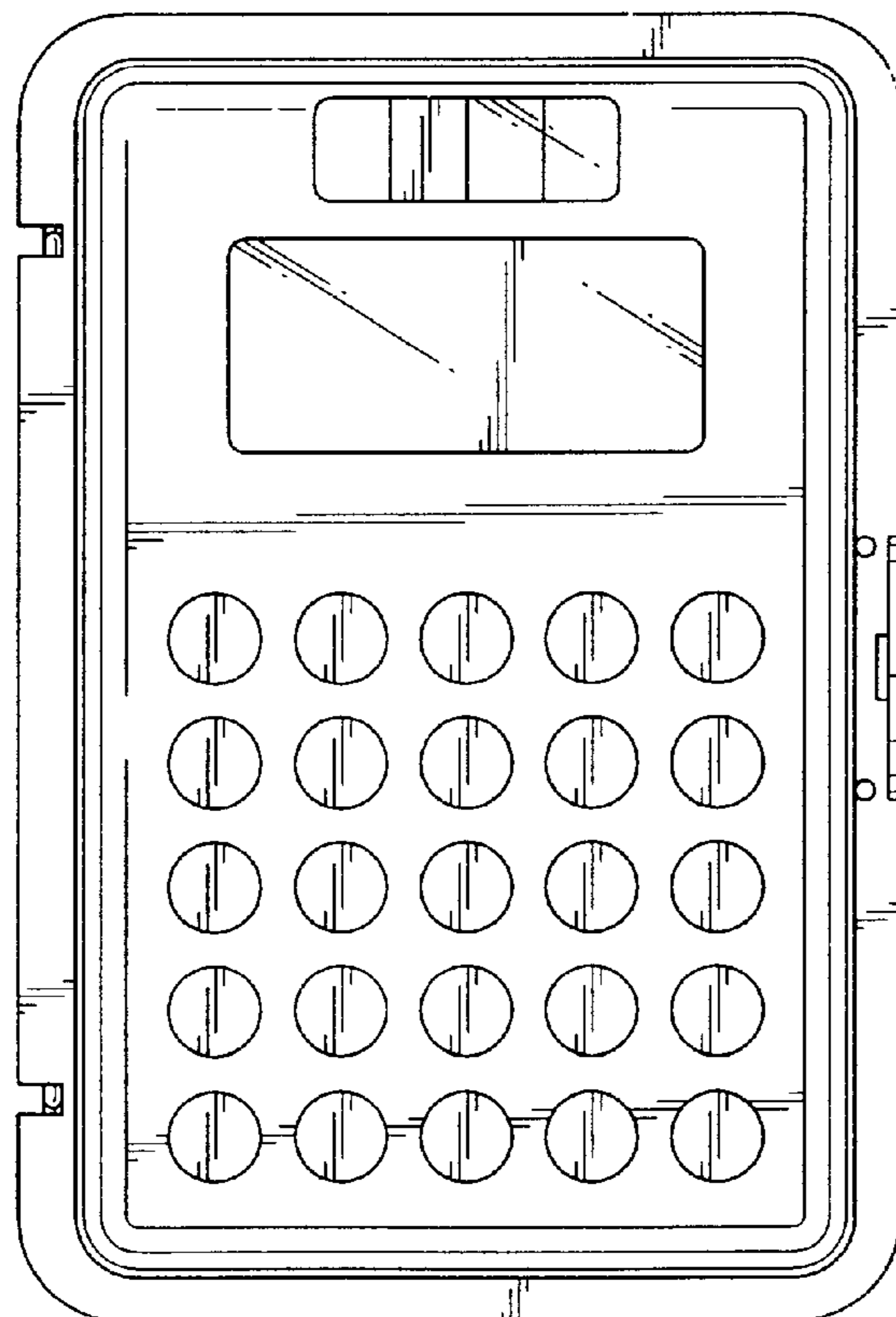


FIG. 2



FIG. 3



FIG. 4

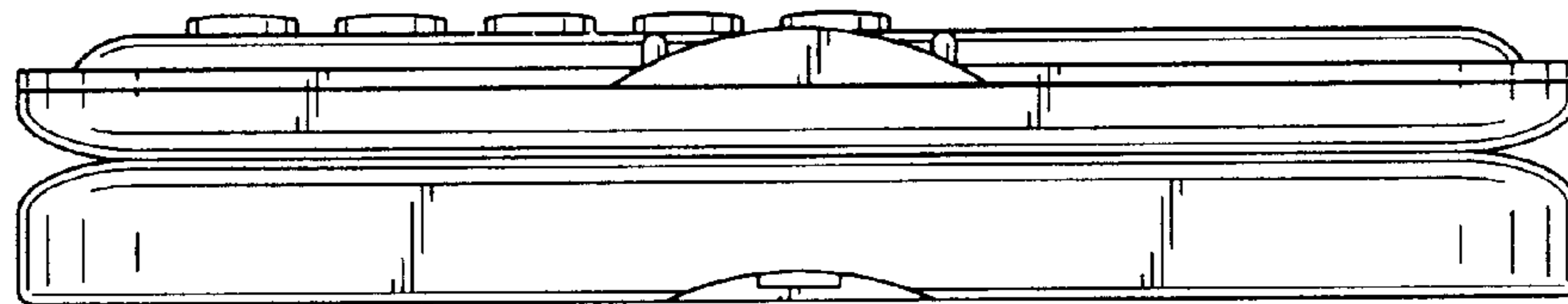


FIG. 5

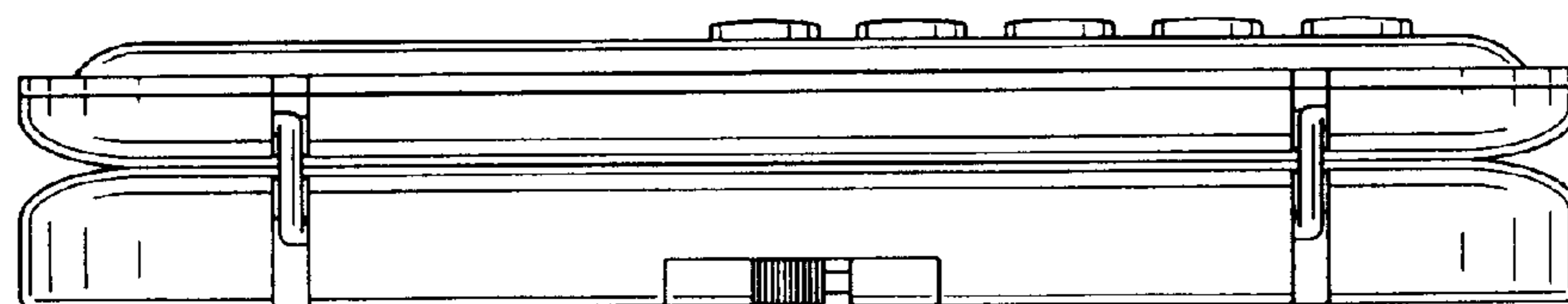


FIG. 6

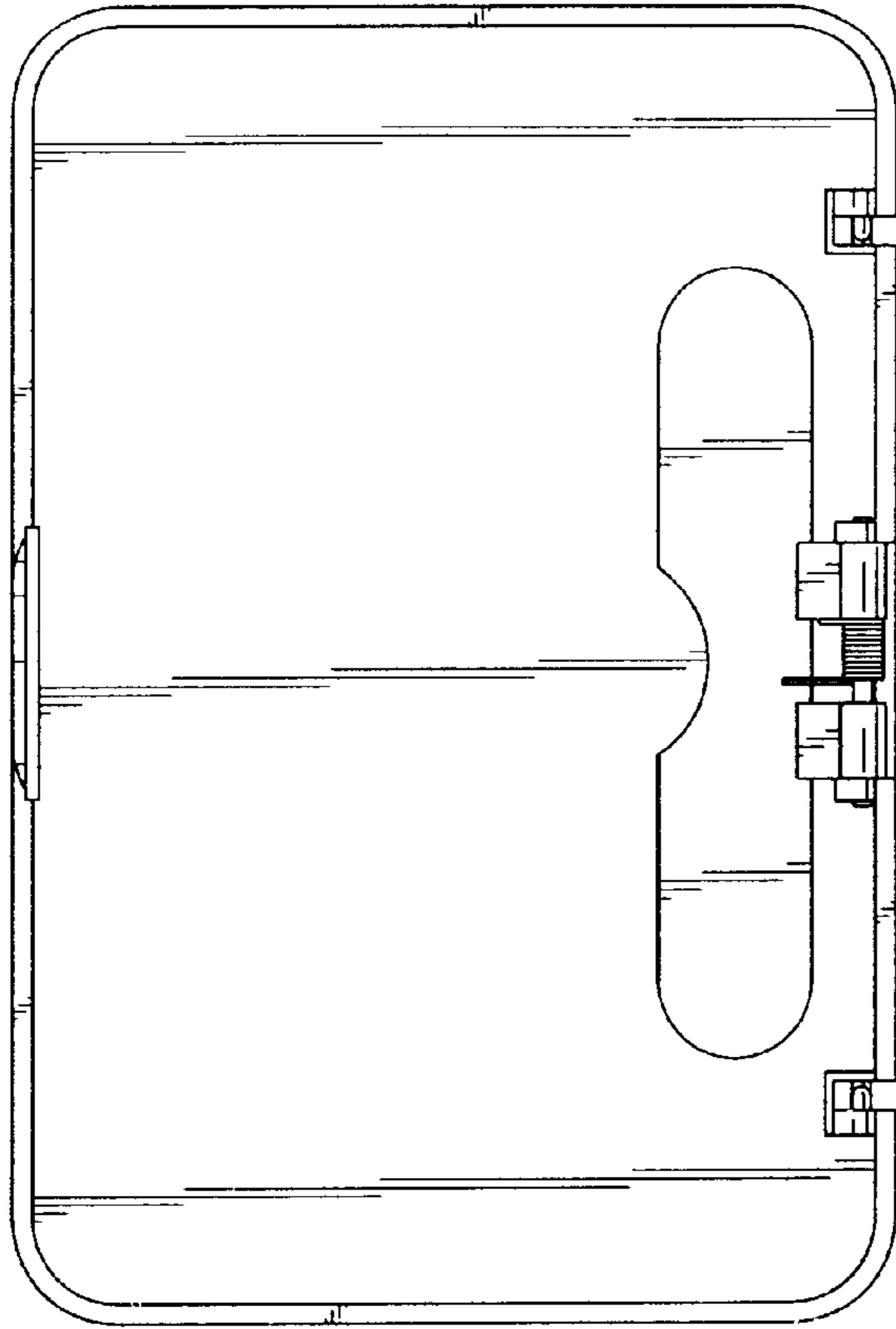


FIG. 7

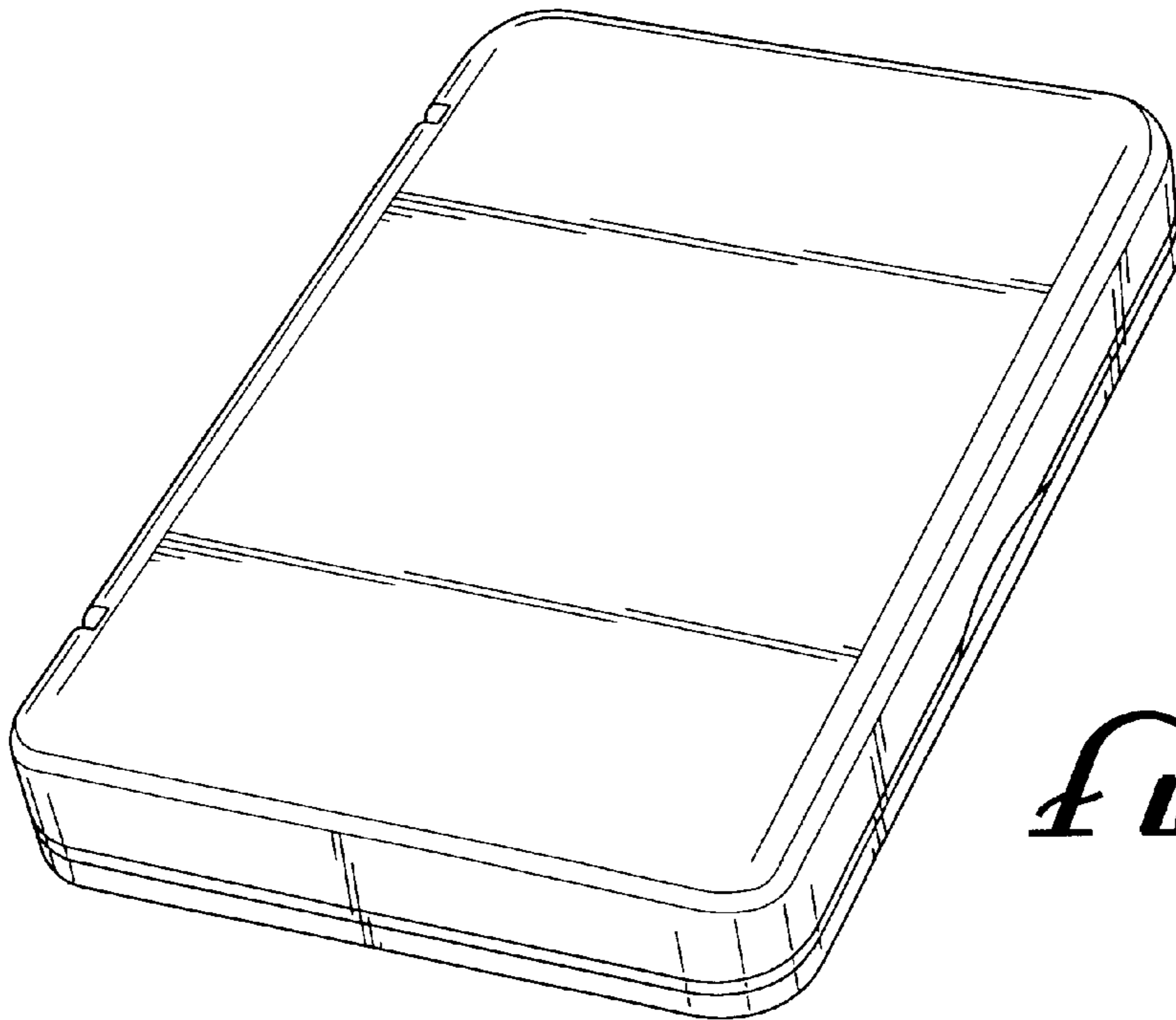


FIG. 8