



US00D533207S

(12) **United States Design Patent**
Kennedy et al.

(10) **Patent No.:** **US D533,207 S**

(45) **Date of Patent:** **** Dec. 5, 2006**

(54) **COLLAPSIBLE TRIPOD TIP-UP**

(76) Inventors: **Warren Kennedy**, 744 Lincoln Street,
Unit #1, Welland, Ontario (CA), L3B
4R5; **Conrad Lemelin**, 82 Garon
Avenue, Welland, Ontario (CA), L3B
1B6

(**) **Term:** **14 Years**

(21) **Appl. No.:** **29/239,768**

(22) **Filed:** **Oct. 5, 2005**

(51) **LOC (8) Cl.** **16-05**

(52) **U.S. Cl.** **D16/244**

(58) **Field of Classification Search** D16/242,
D16/244, 245; 248/168, 169, 170, 171, 188.5,
248/188.6, 188.7; 396/419, 428
See application file for complete search history.

(56) **References Cited**

U.S. PATENT DOCUMENTS

2,845,244 A * 7/1958 Prokop 248/171
4,988,064 A * 1/1991 Hoshino 248/170

5,062,606 A * 11/1991 Hoshino 248/171
5,165,635 A * 11/1992 Hoshino 248/169
D335,889 S * 5/1993 Gibran D16/244
5,931,424 A * 8/1999 Kerber 248/171
D450,339 S * 11/2001 Eason D16/244

* cited by examiner

Primary Examiner—Adir Aronovich

(57) **CLAIM**

The ornamental design for a collapsible tripod tip-up, as shown and described.

DESCRIPTION

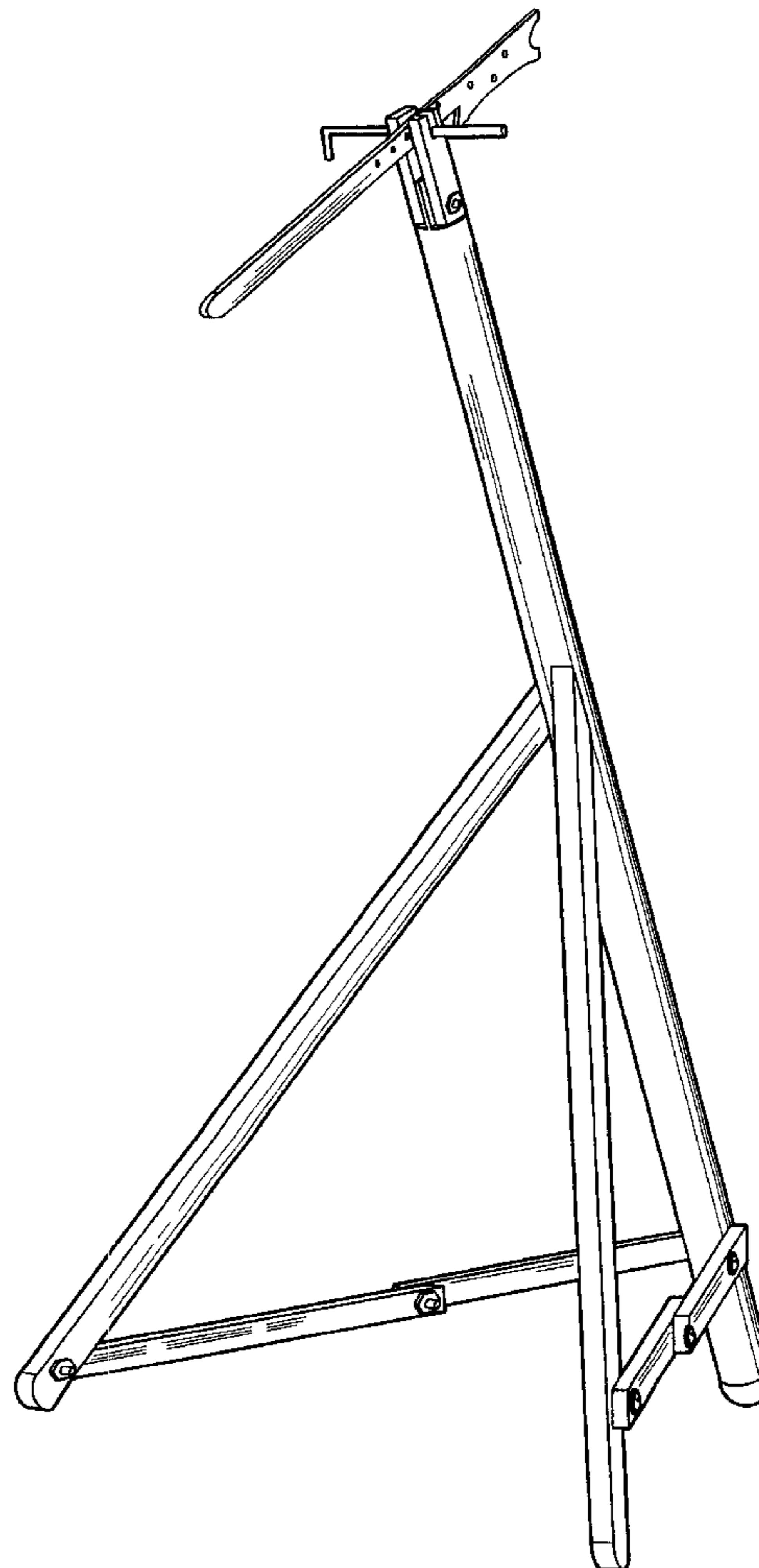
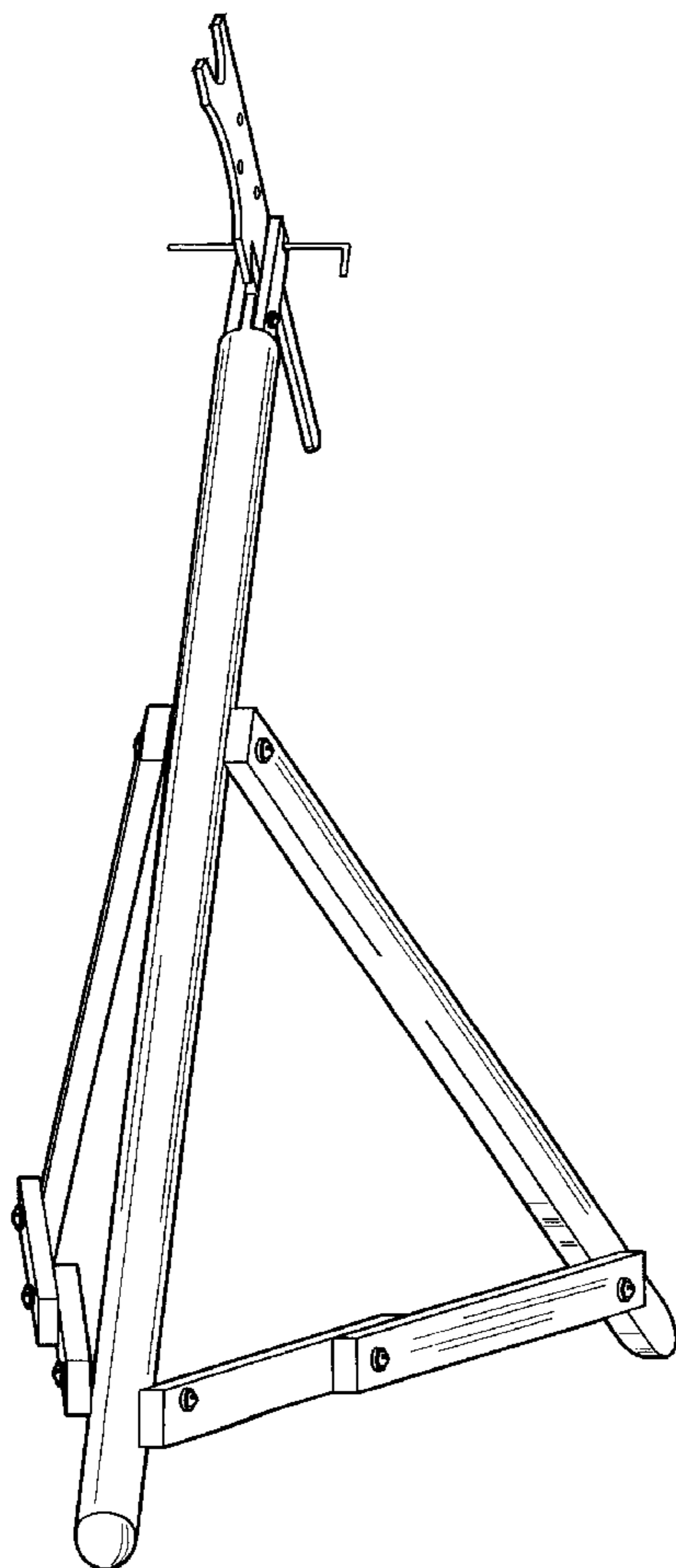
FIG. 1 is a side elevational view of the present industrial design, a collapsible tripod tip-up.

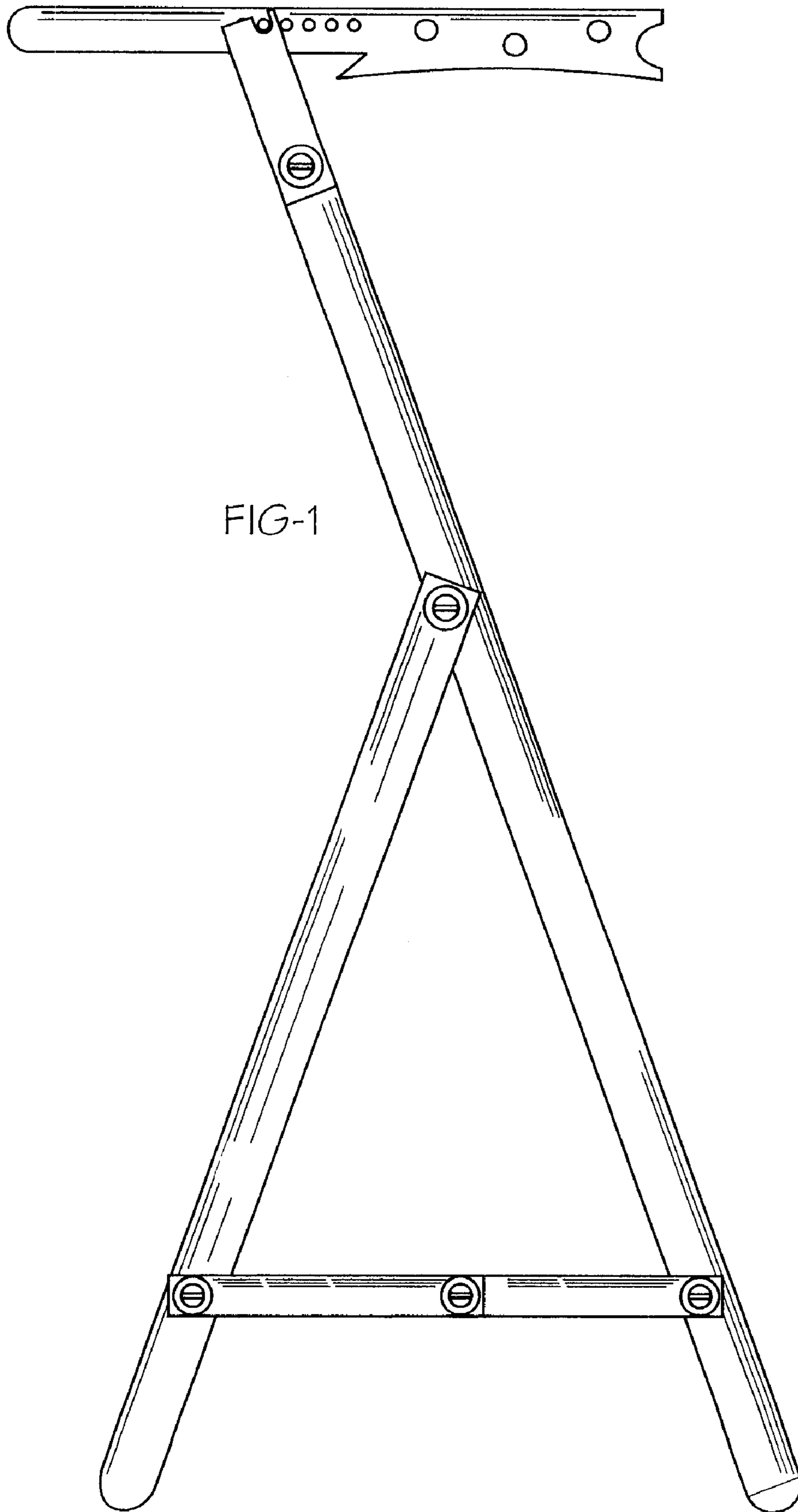
FIG. 2 is a front elevational view of the collapsible tripod tip-up.

FIG. 3 is a rear elevational of the collapsible tripod tip-up; FIG. 4 is a rear perspective view of the collapsible tripod tip-up; and,

FIG. 5 is a front perspective view of the collapsible tripod tip-up.

1 Claim, 5 Drawing Sheets





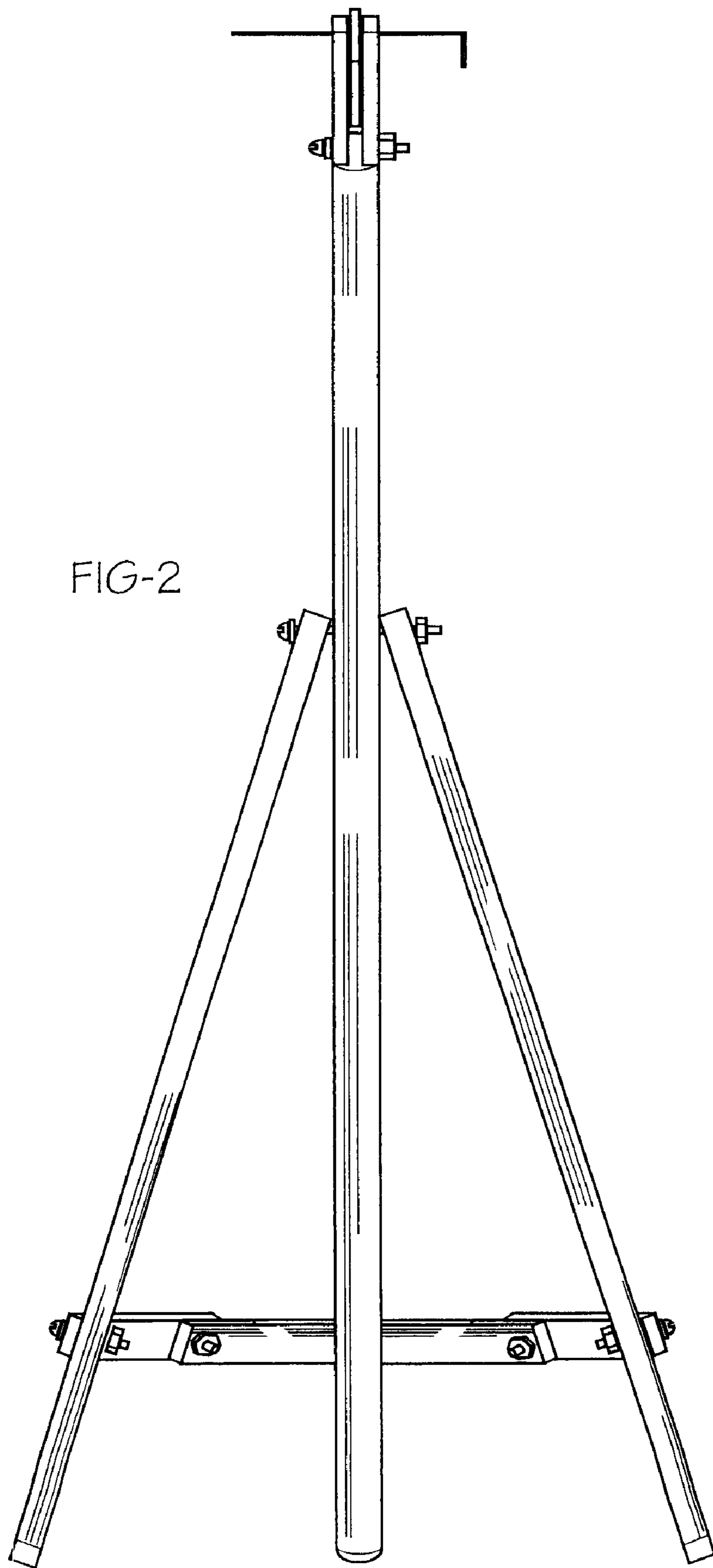


FIG-2

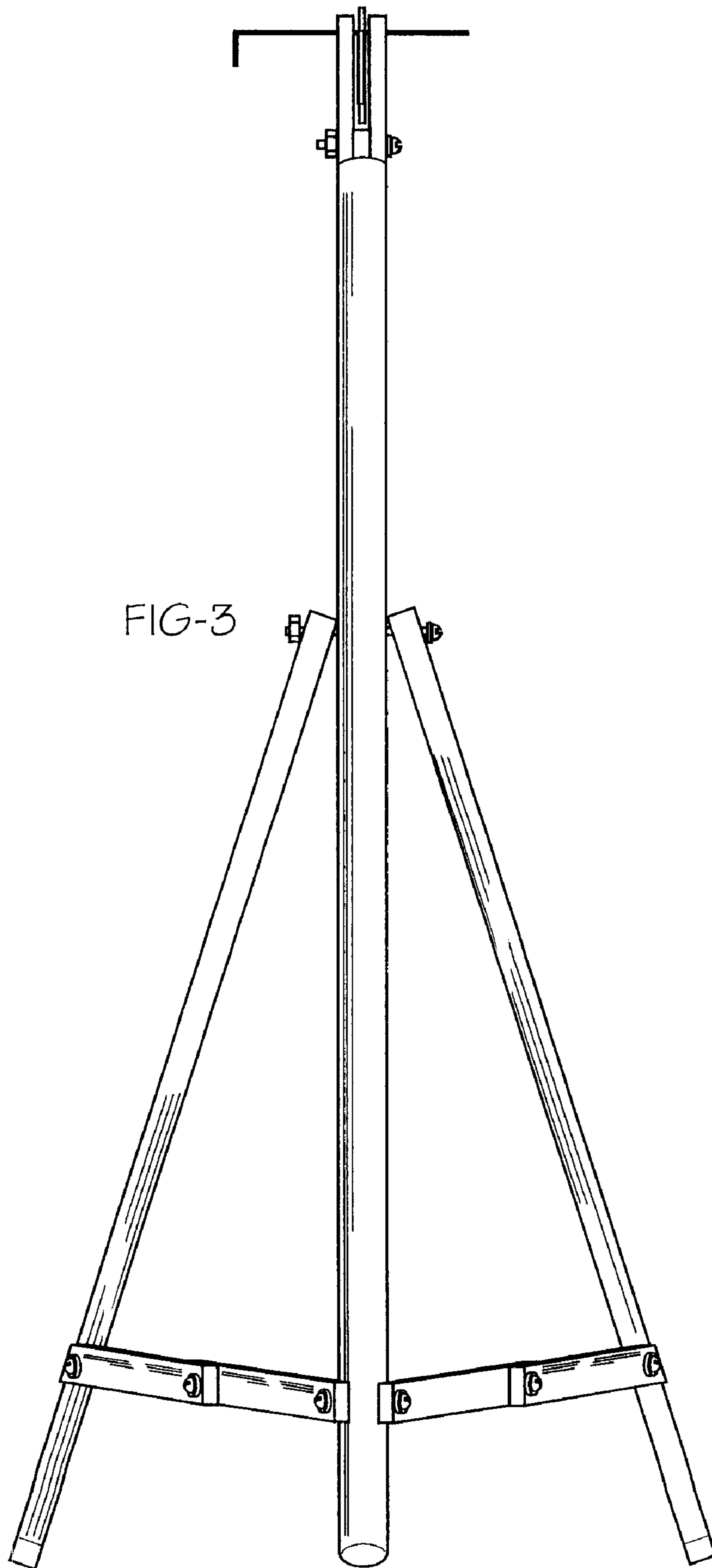
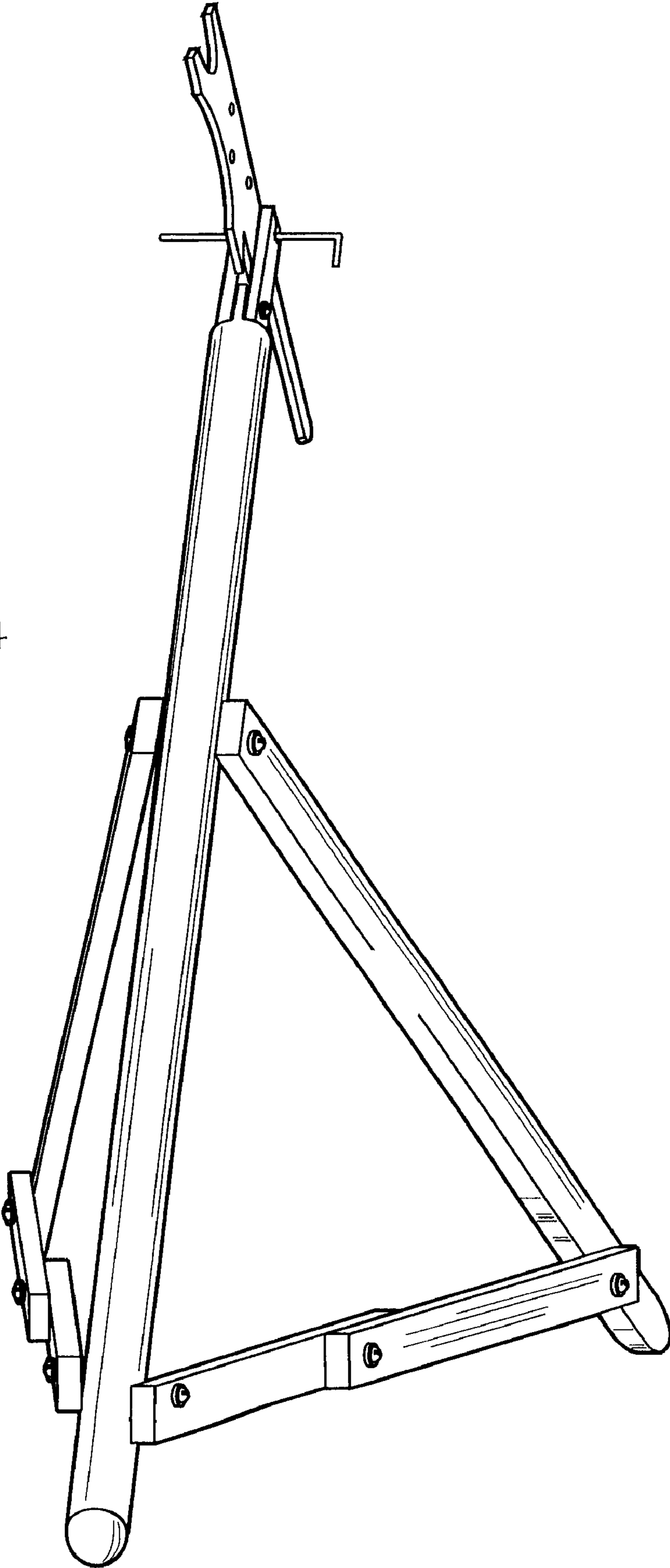


FIG-4



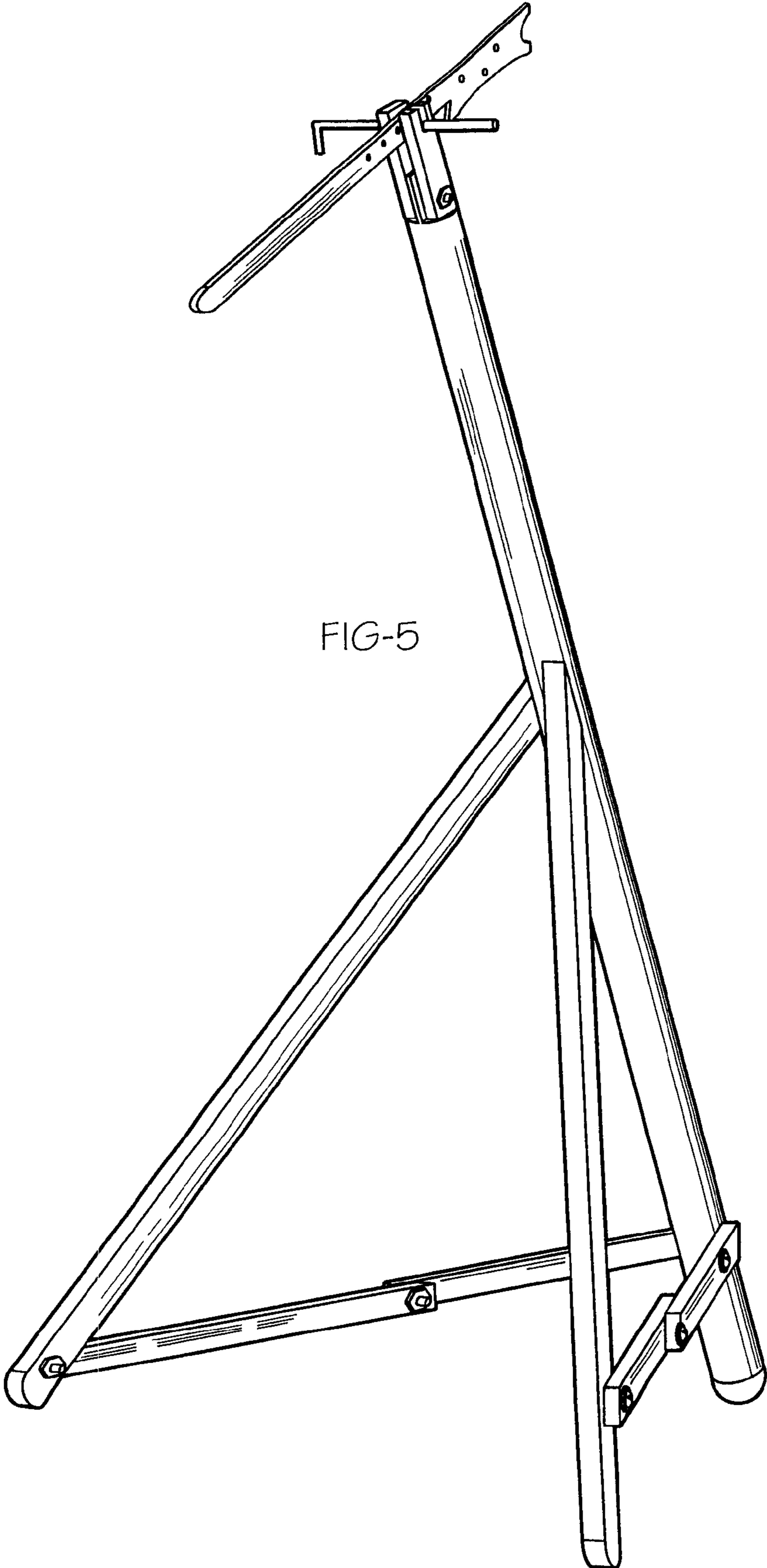


FIG-5