



US00D533204S

(12) **United States Design Patent**
Kinoshita

(10) **Patent No.:** **US D533,204 S**

(45) **Date of Patent:** **** *Dec. 5, 2006**

(54) **POWER TRANSMISSION COUPLING**

(75) Inventor: **Satoshi Kinoshita**, Kawasaki (JP)

(73) Assignee: **Miki Pulley Co., Ltd.**, Kanagawa (JP)

(*) Notice: This patent is subject to a terminal disclaimer.

(**) Term: **14 Years**

(21) Appl. No.: **29/222,454**

(22) Filed: **Jan. 31, 2005**

(30) **Foreign Application Priority Data**

Sep. 17, 2004 (JP) 2004-028243

(51) **LOC (8) Cl.** **15-09**

(52) **U.S. Cl.** **D15/149**

(58) **Field of Classification Search** D15/148,
D15/149; 464/7, 49-51, 54, 73, 76, 79, 83,
464/106, 149, 182

See application file for complete search history.

(56) **References Cited**

U.S. PATENT DOCUMENTS

2,326,450	A *	8/1943	Fawick	464/83
2,550,101	A *	4/1951	Wallerstein, Jr.	464/83
2,629,991	A *	3/1953	Guy	464/73
2,643,529	A *	6/1953	Thomas	464/54
2004/0009818	A1 *	1/2004	Son	464/32

* cited by examiner

Primary Examiner—Antoine D. Davis

Assistant Examiner—Patricia Palasik

(74) *Attorney, Agent, or Firm*—Marshall & Melhorn, LLC

(57) **CLAIM**

The ornamental design for a power transmission coupling, as shown and described.

DESCRIPTION

FIG. 1 is a perspective view of a power transmission coupling showing my new design;

FIG. 2 is a front view thereof, a back view being a mirror image thereof;

FIG. 3 is a left side view thereof;

FIG. 4 is a right side view thereof;

FIG. 5 is a top view thereof;

FIG. 6 is a bottom view thereof;

FIG. 7 is a cross-sectional view thereof taken along the line VII—VII in FIG. 2;

FIG. 8 is a cross-sectional view thereof taken along the line VIII—VIII in FIG. 2; and,

FIG. 9 is an illustrative longitudinal cross-sectional view showing the power transmission coupling in use, with a drive shaft and a driven shaft being shown in broken lines and forming no part of the claimed design.

The broken line showing is for illustrative purposes only and forms no part of the claimed design.

1 Claim, 8 Drawing Sheets

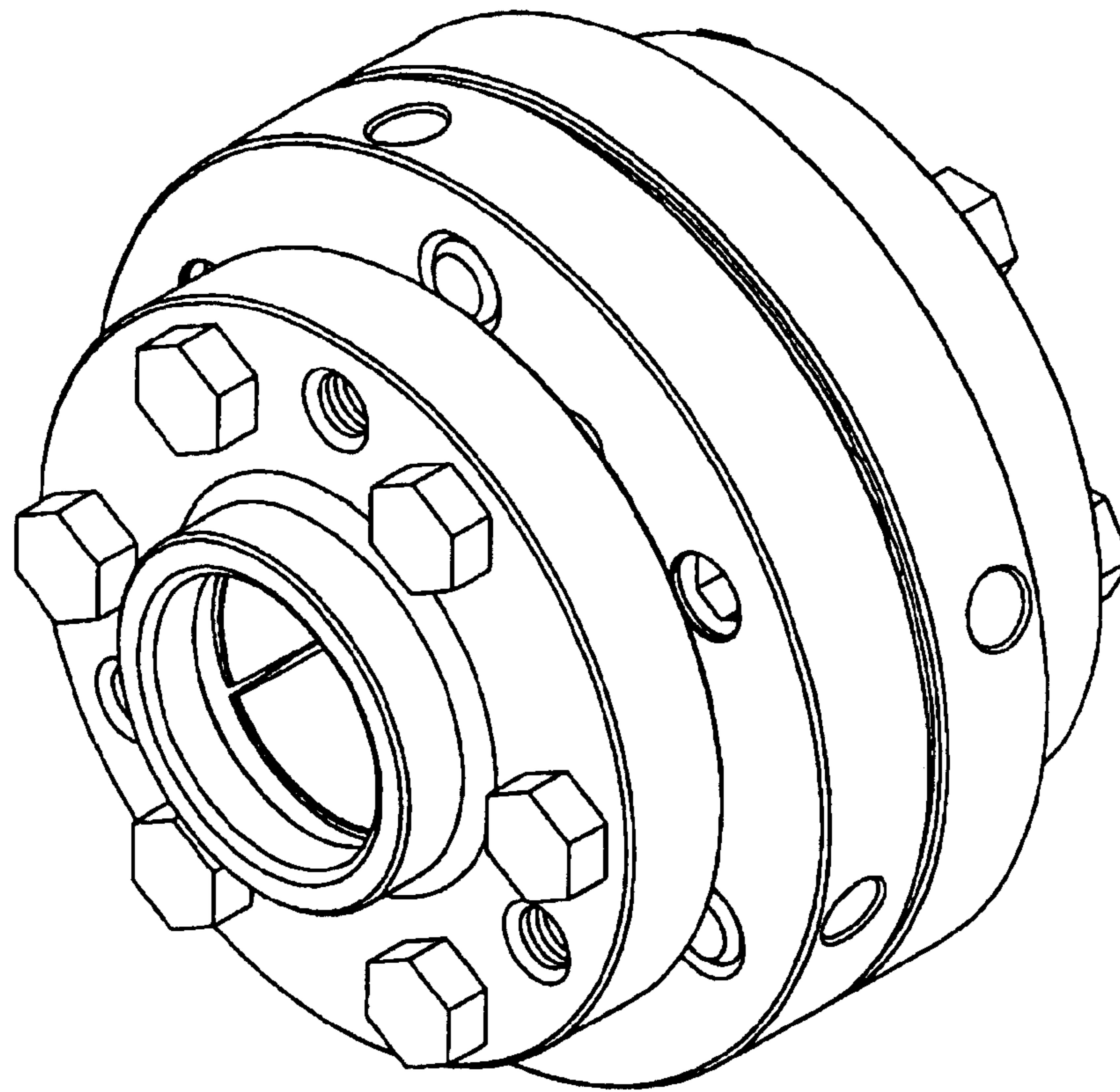


Fig. 1

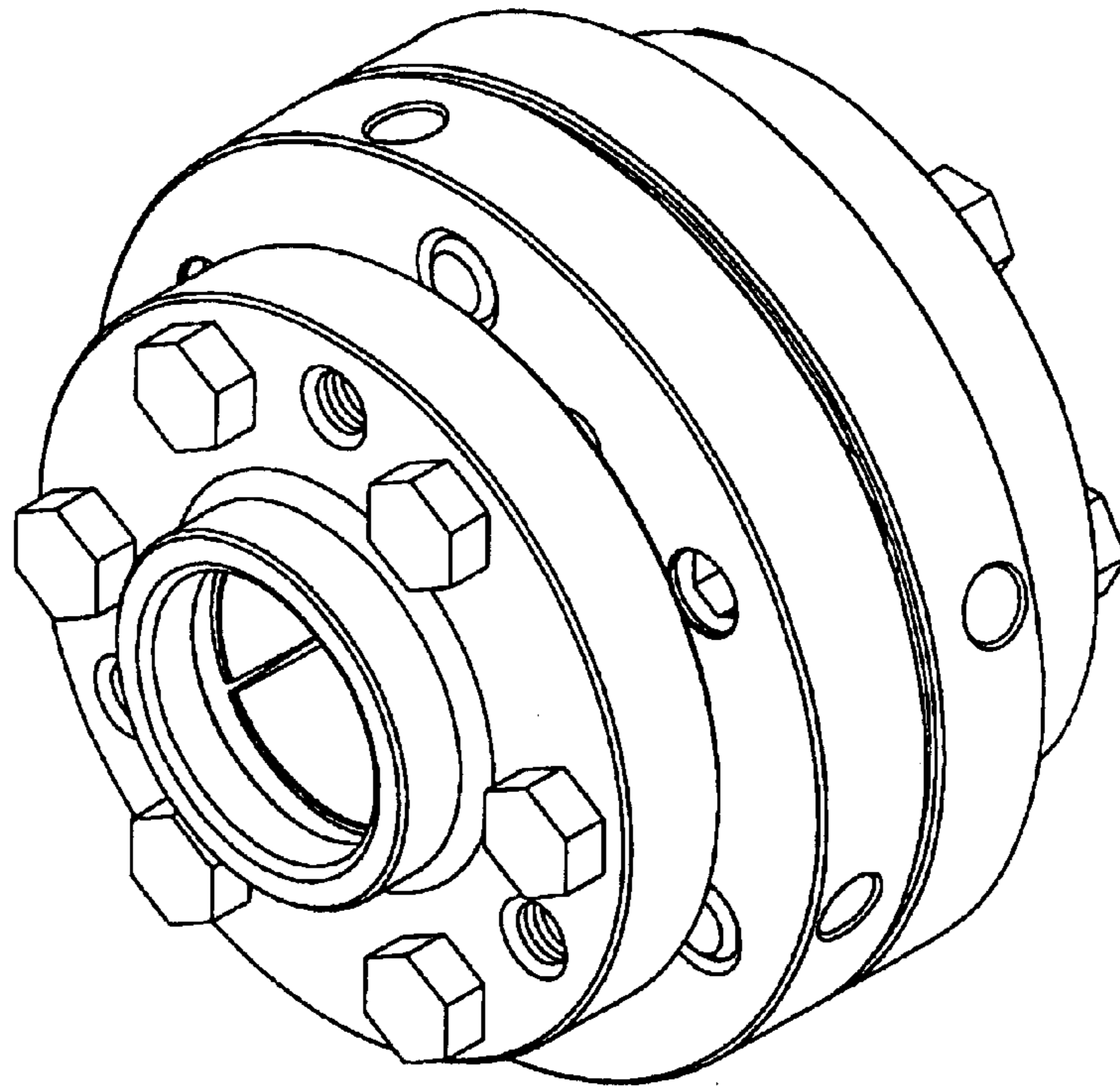


Fig. 2

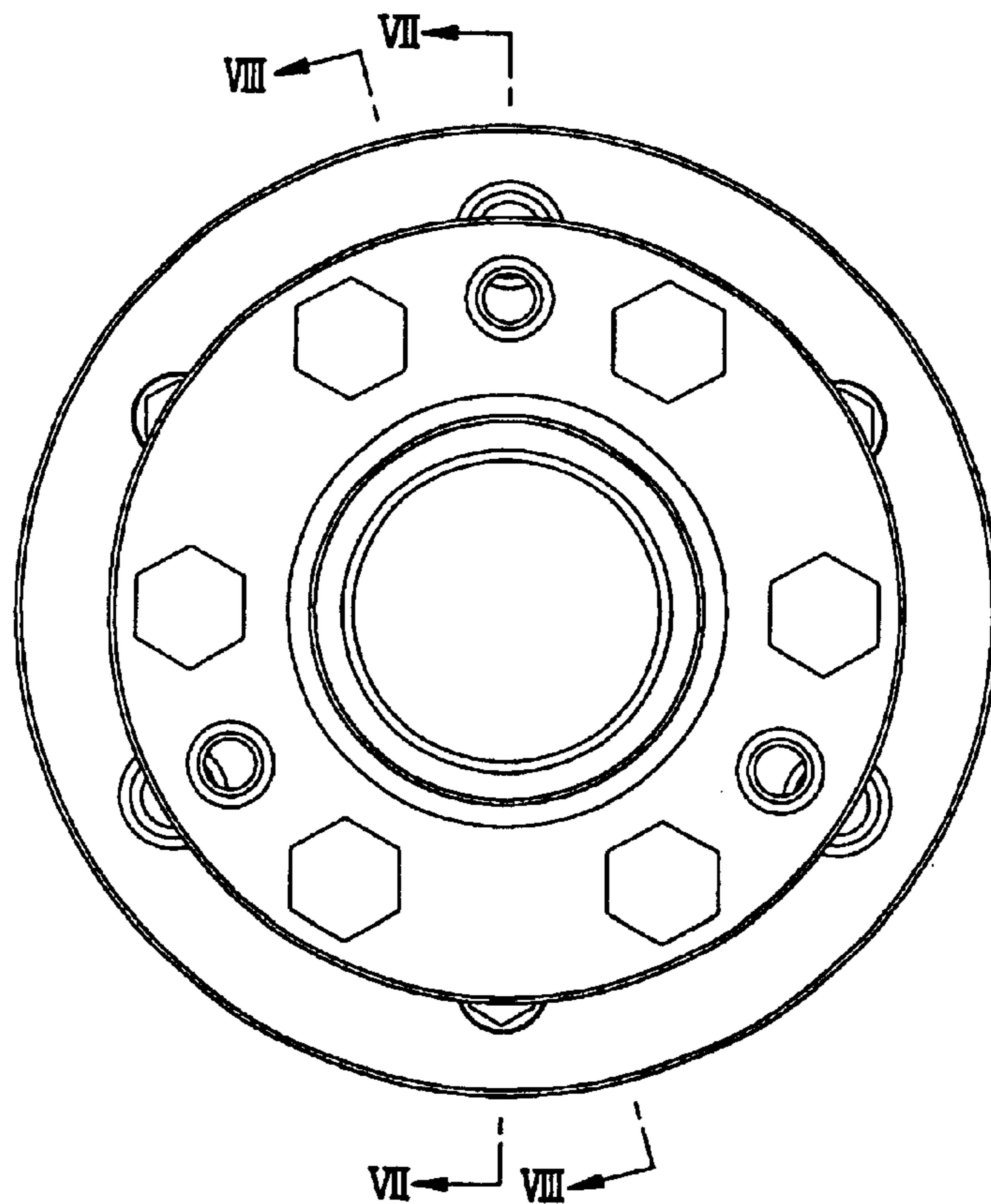


Fig.3

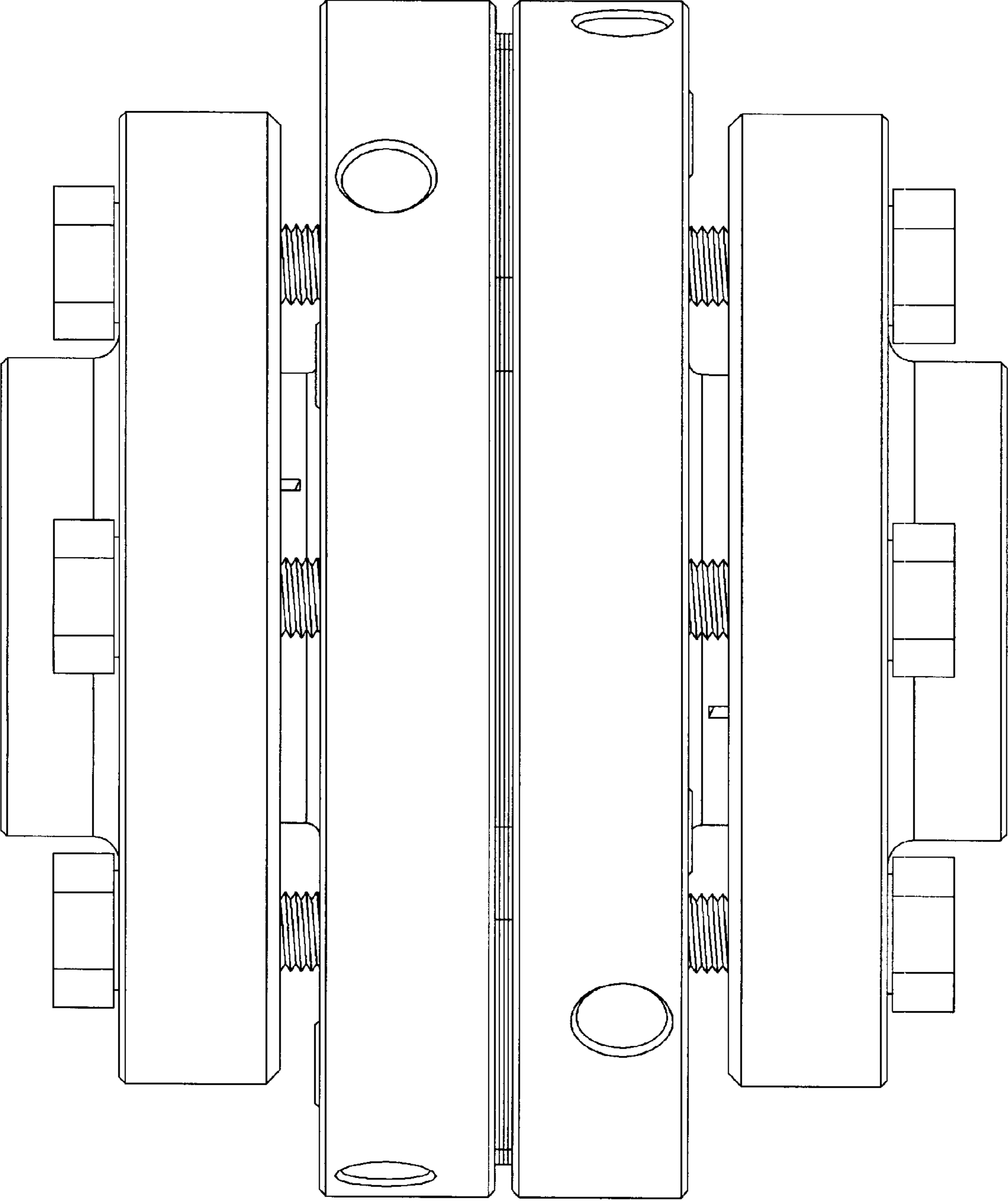


Fig. 4

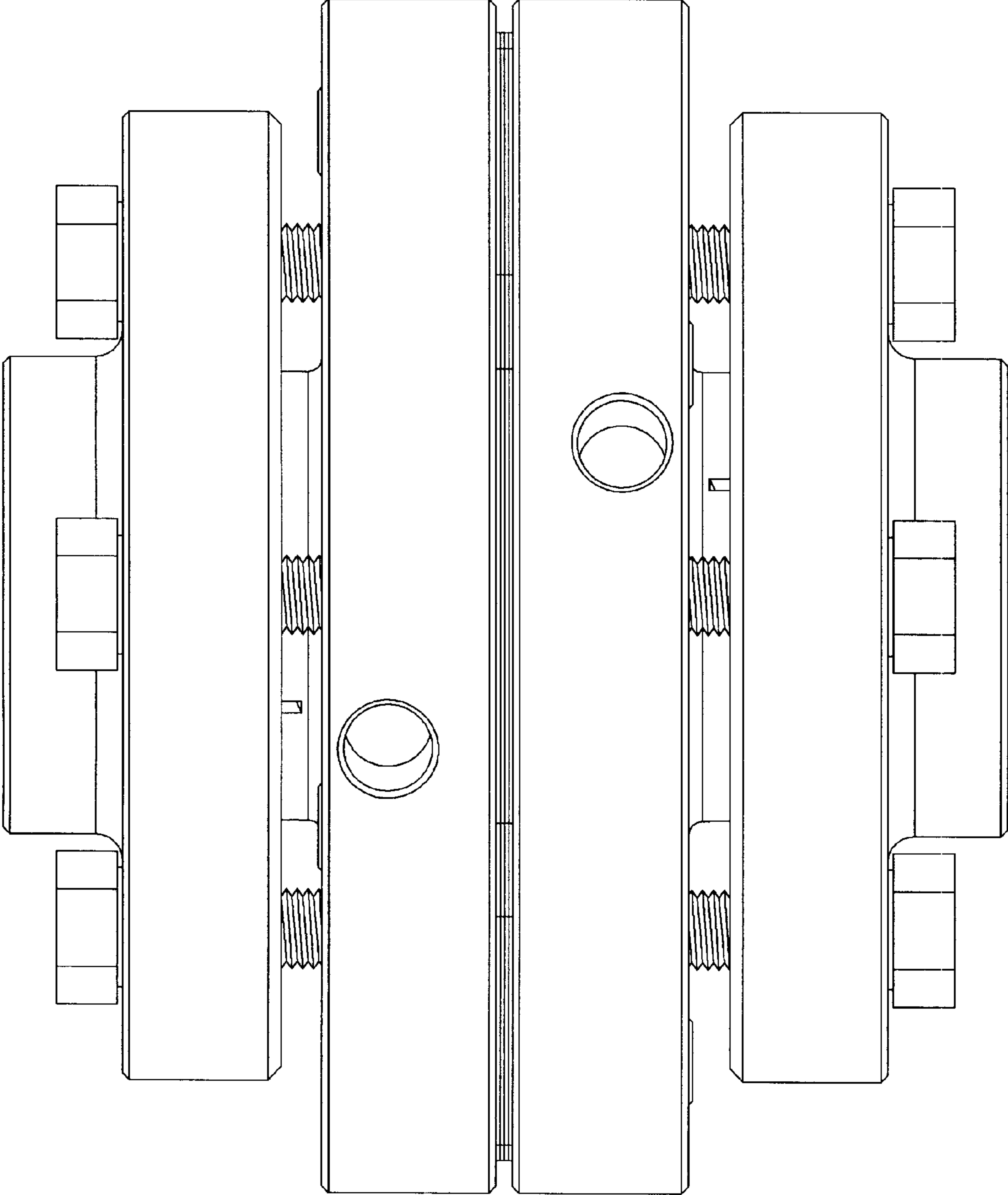


Fig.5

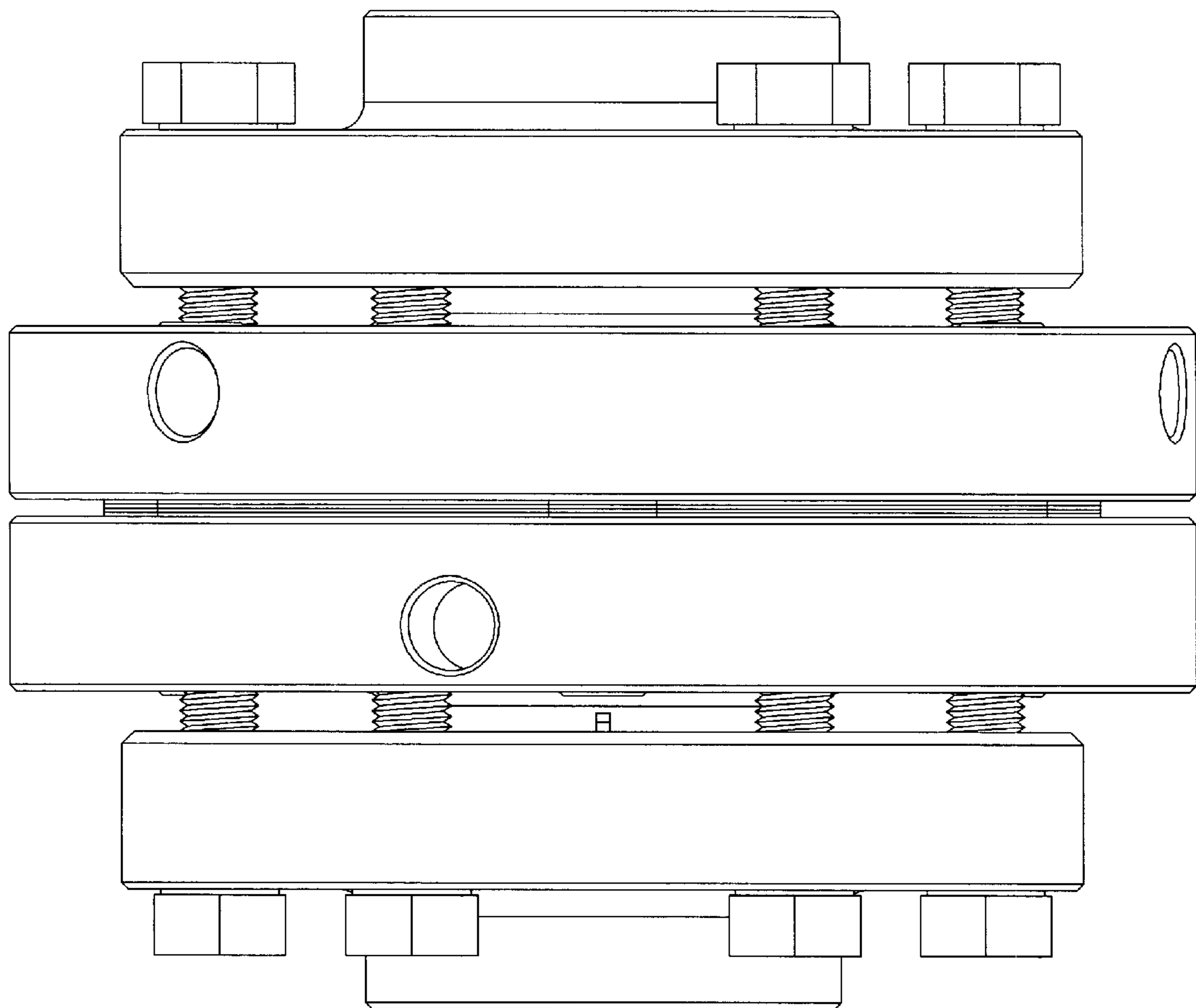


Fig.6

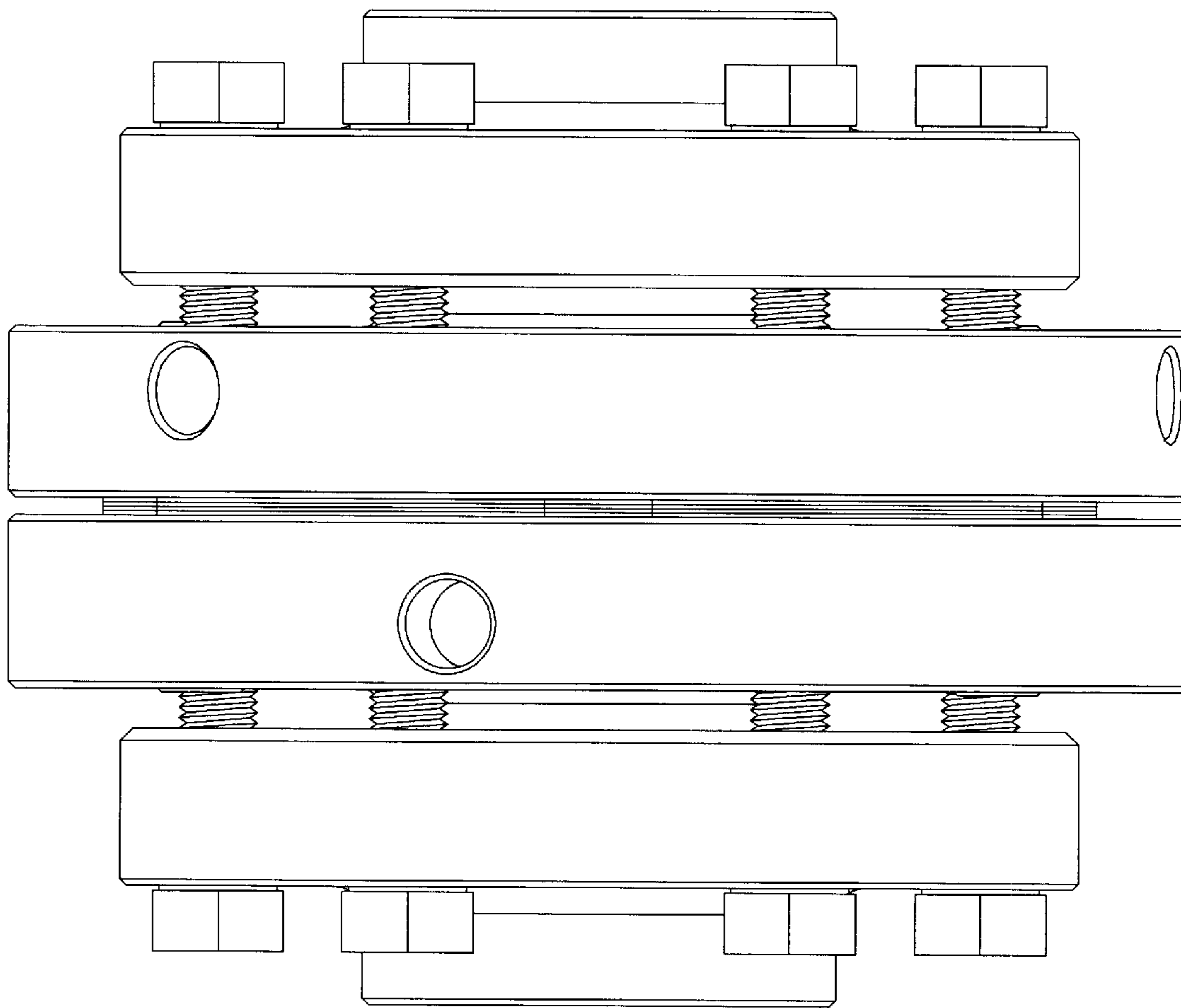


Fig. 7

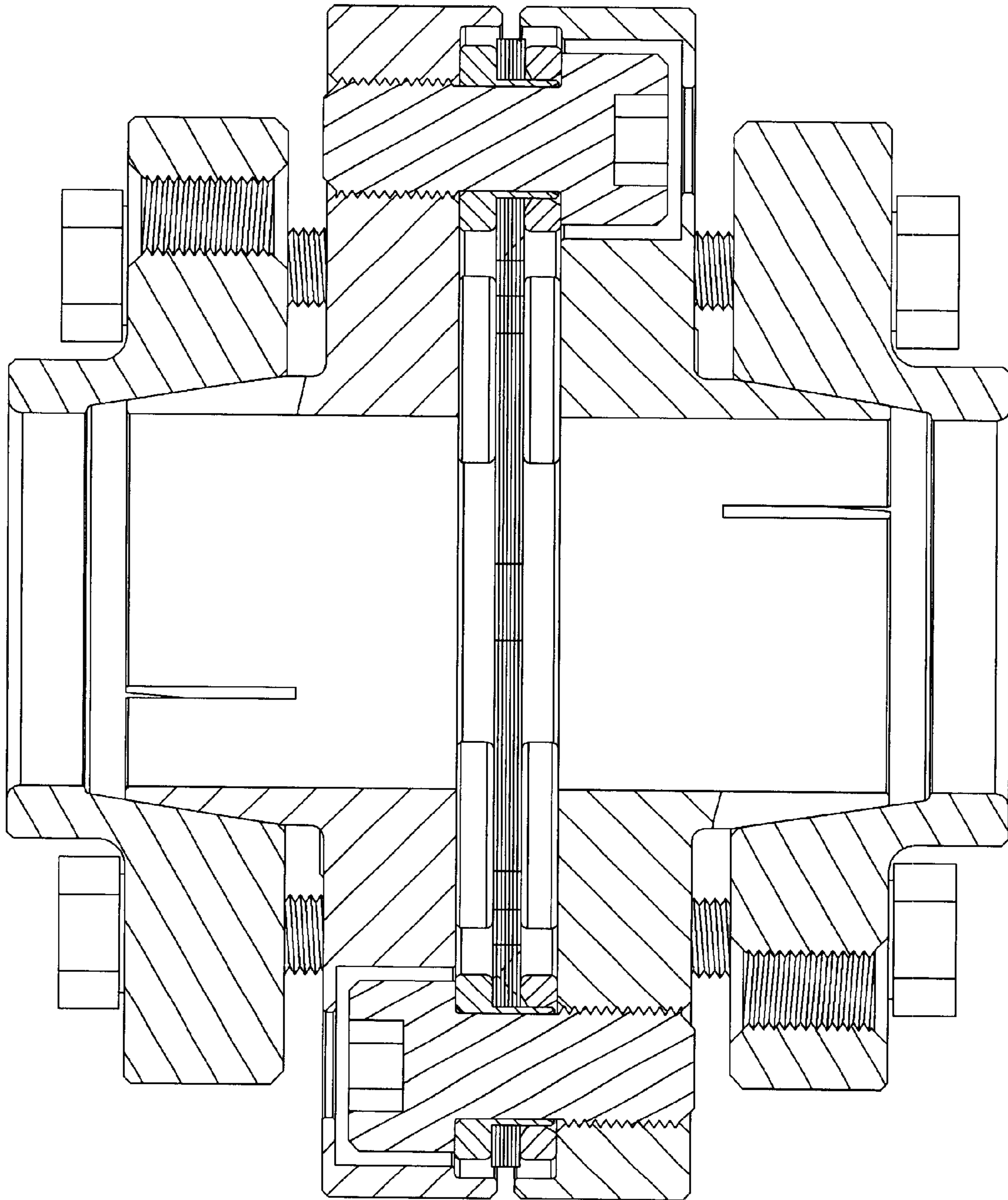


Fig. 8

