



US00D533201S

(12) **United States Design Patent**
Hepworth et al.

(10) **Patent No.: US D533,201 S**

(45) **Date of Patent: ** Dec. 5, 2006**

(54) **WET WHEEL TILE CUTTER**

GB 2103998 9/2001
GB 3001089 5/2002
GB 3006098 10/2002

(75) Inventors: **Paul Steabben Hepworth**, Surrey
(GB); **Simon James Skillings**,
Staffordshire (GB)

* cited by examiner

(73) Assignee: **Turner Intellectual Property Limited**,
Staffordshire (GB)

Primary Examiner—Antoine D. Davis

Assistant Examiner—Patricia Palasik

(74) *Attorney, Agent, or Firm*—Nikolai & Mersereau, P.A.

(**) Term: **14 Years**

(57) **CLAIM**

(21) Appl. No.: **29/216,573**

The ornamental design for a wet wheel tile cutter, as shown and described.

(22) Filed: **Nov. 5, 2004**

DESCRIPTION

(30) **Foreign Application Priority Data**

May 7, 2004 (EM) 000180765-0002
May 7, 2004 (EM) 000180765-0003
May 7, 2004 (EM) 000180765-0004
May 7, 2004 (EM) 000180765-0001

FIG. 1 is a front perspective view of a first embodiment of a wet wheel tile cutter showing the new design;

FIG. 2 is a back perspective view thereof;

FIG. 3 is a top and right side perspective view thereof;

FIG. 4 is a plan view from above thereof;

FIG. 5 is a left side perspective view thereof;

FIG. 6 top and left perspective view thereof;

FIG. 7 is a plan view of the bottom of a second embodiment of the wet wheel tile cutter;

FIG. 8 is a perspective view from below and left side thereof;

FIG. 9 is a perspective view from below, front and left side featuring the cord storage portion thereof;

FIG. 10 is a perspective front, right side and above view of a third embodiment of the wet wheel tile cutter;

FIG. 11 is a perspective view thereof from front, right side and above with mitre lid raised; and,

FIG. 12 is a perspective view thereof from rear, right side and above with mitre lid raised.

(51) **LOC (8) Cl.** **15-09**

(52) **U.S. Cl.** **D15/133**

(58) **Field of Classification Search** D15/133;
83/169, 450, 468.7, 477.2, 478, 522.3, 522.1,
83/432, 435, 477; 269/318, 435, 180; 890/125,
890/13.01

See application file for complete search history.

(56) **References Cited**

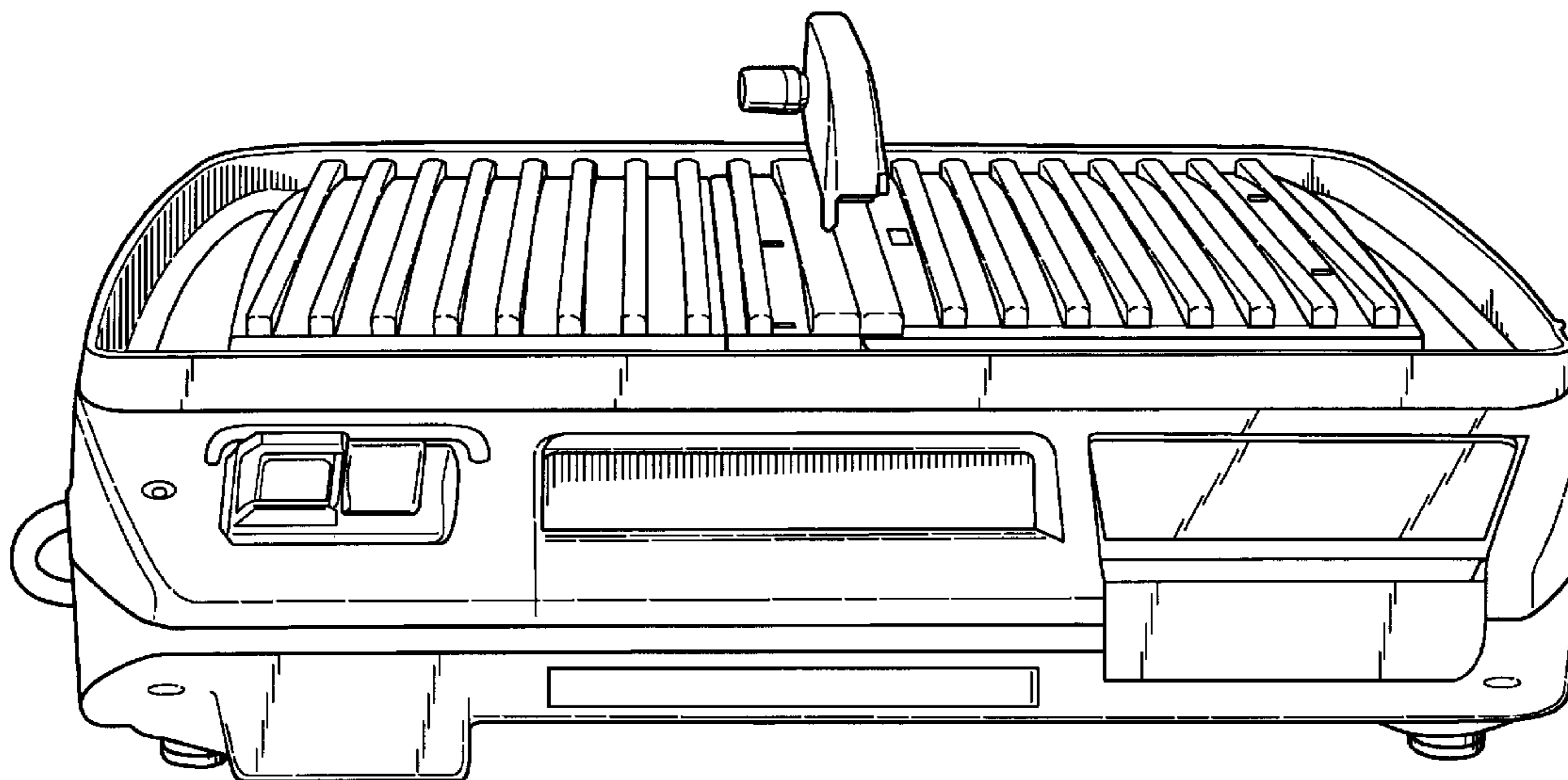
U.S. PATENT DOCUMENTS

D442,977 S * 5/2001 Howard D15/133

FOREIGN PATENT DOCUMENTS

GB 2063759 6/1997
GB 2071896 5/1998

1 Claim, 10 Drawing Sheets



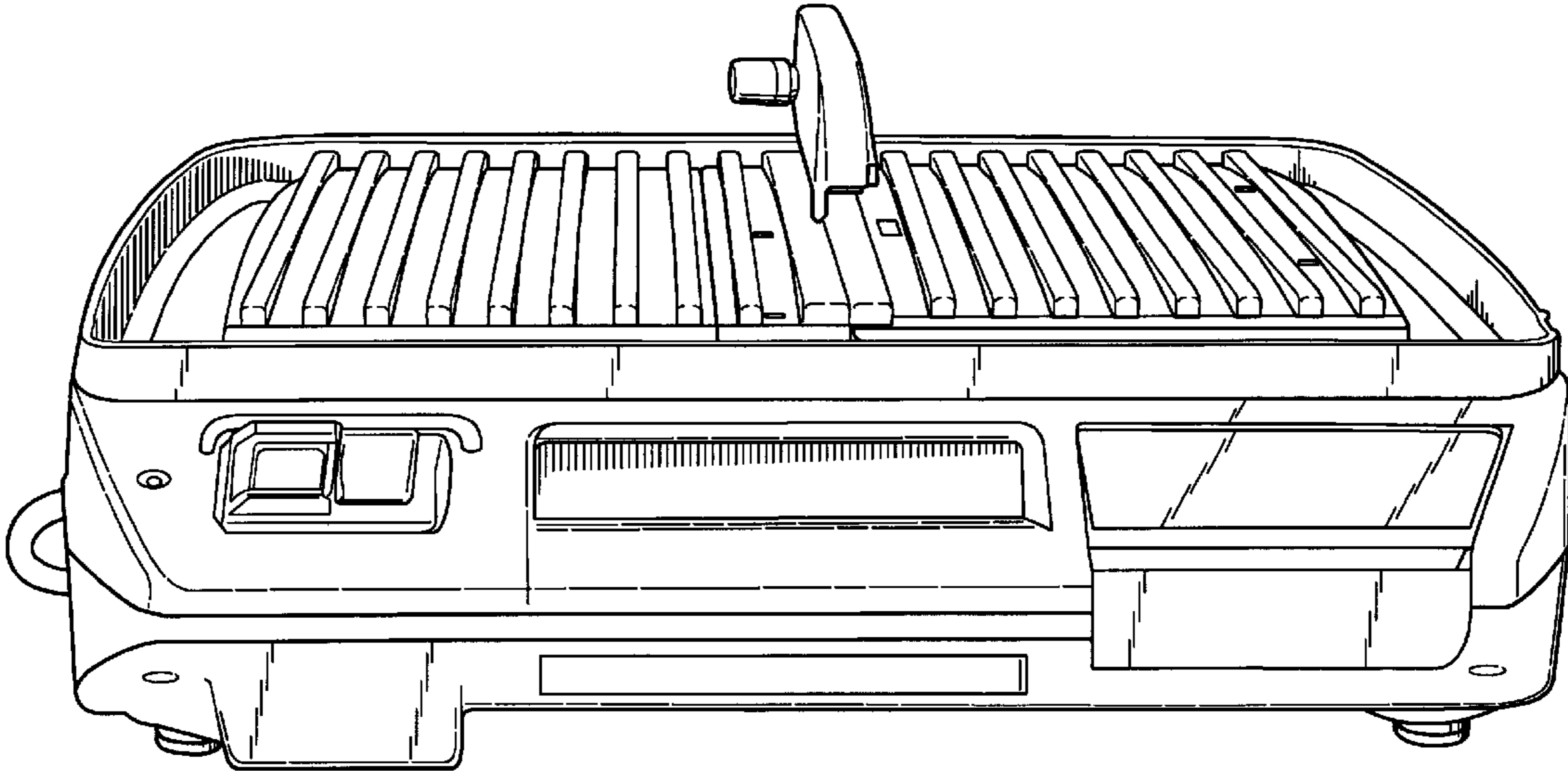


Fig. 1

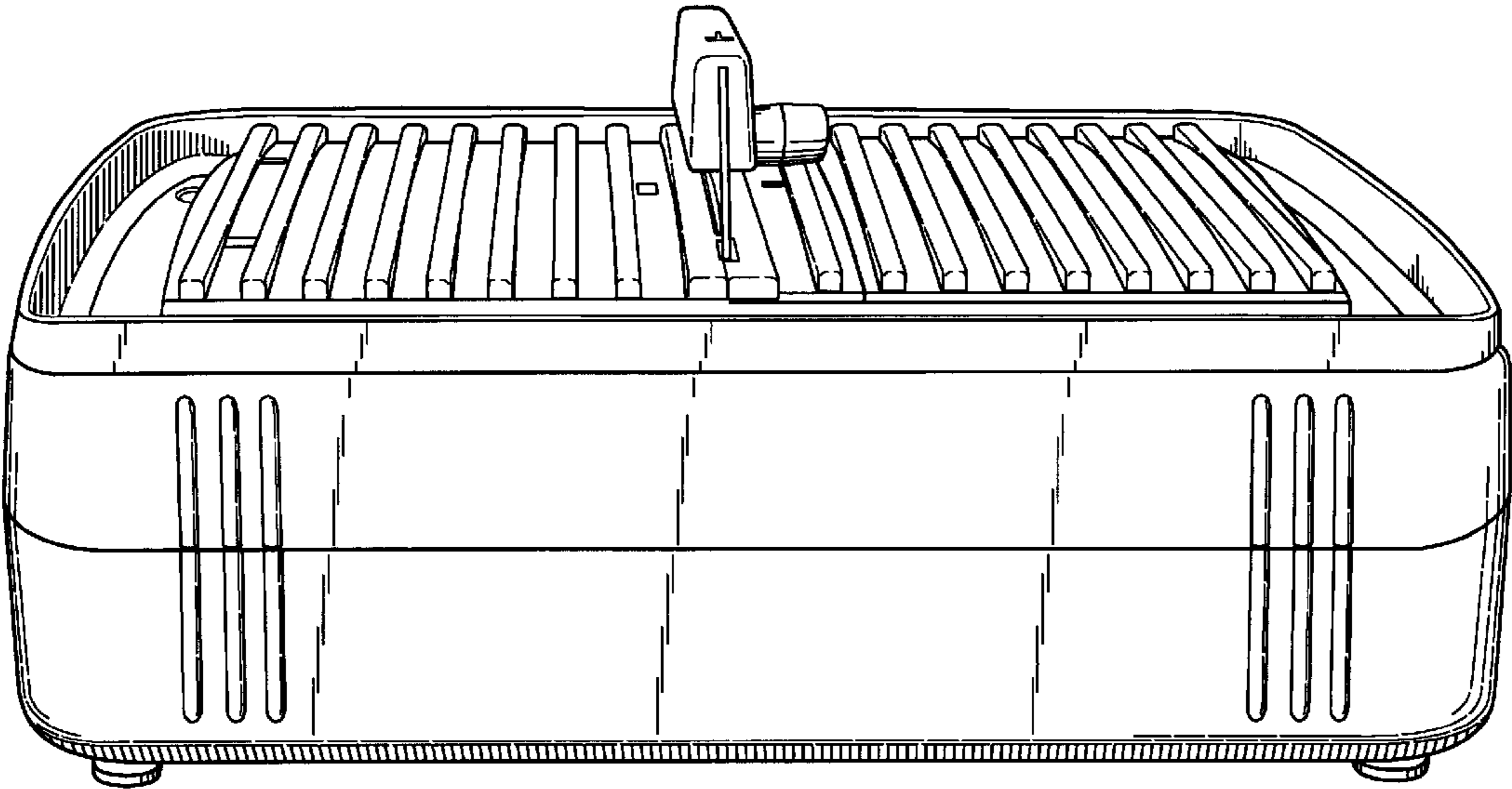


Fig. 2

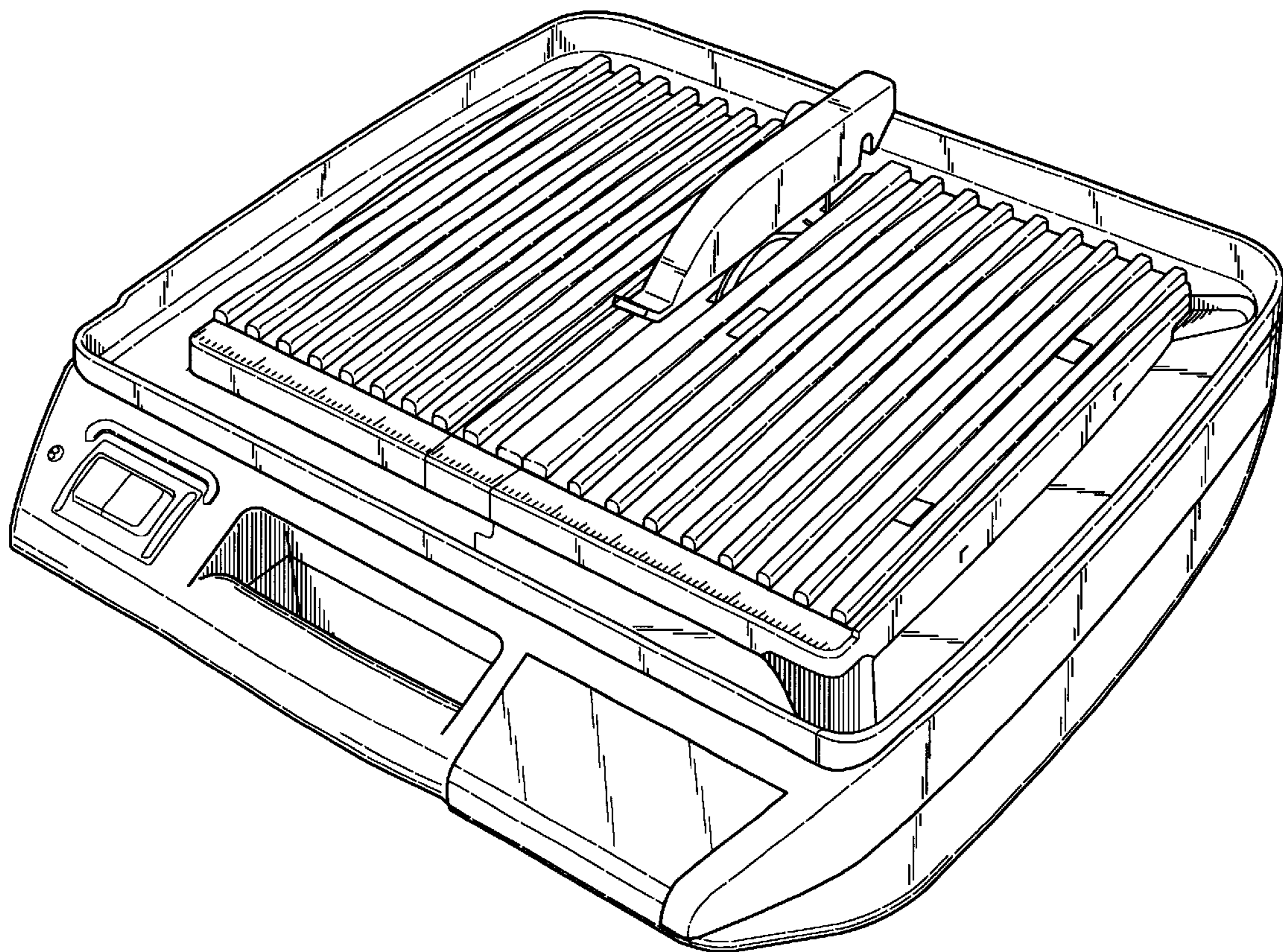


Fig. 3

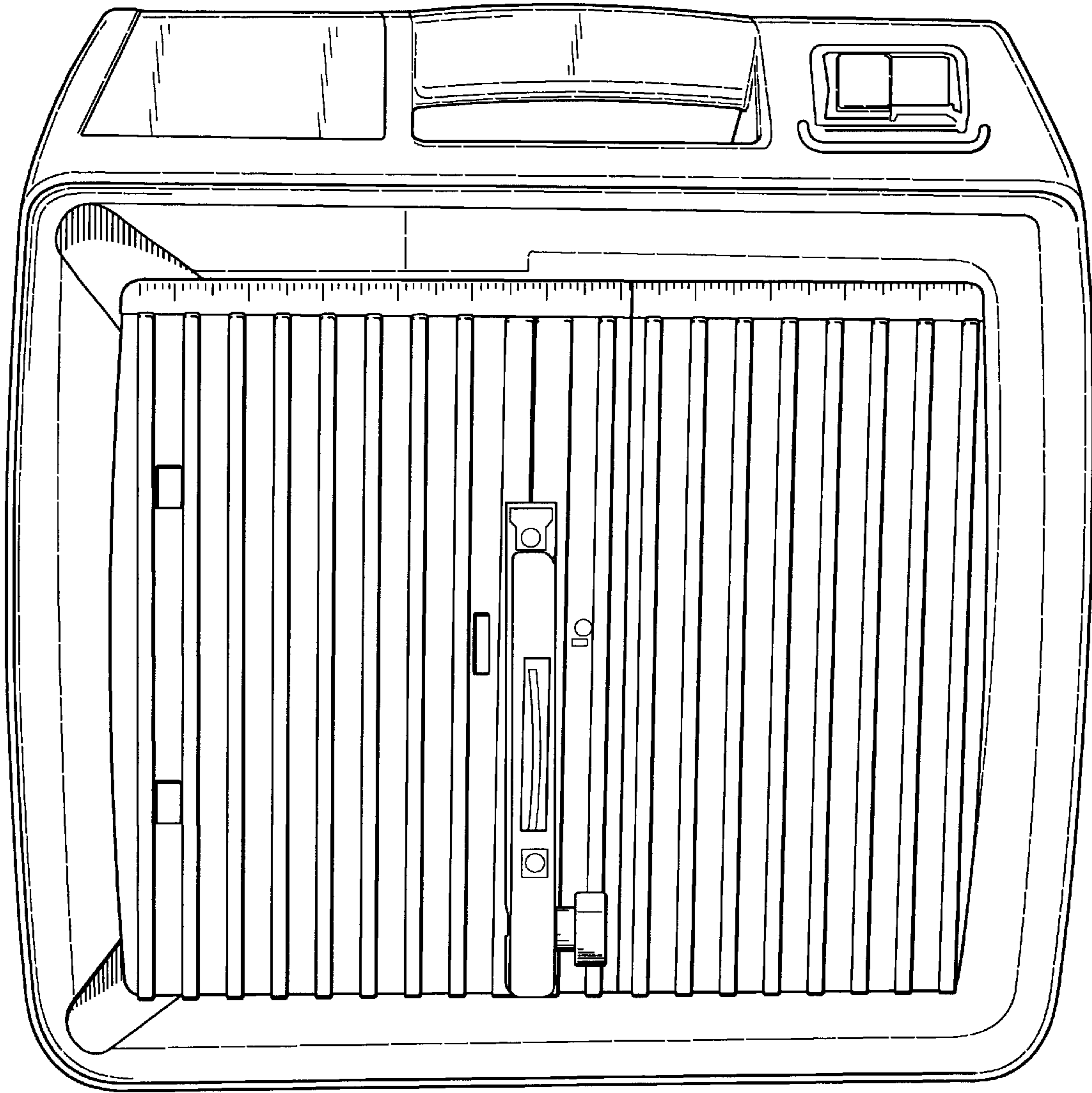


Fig. 4

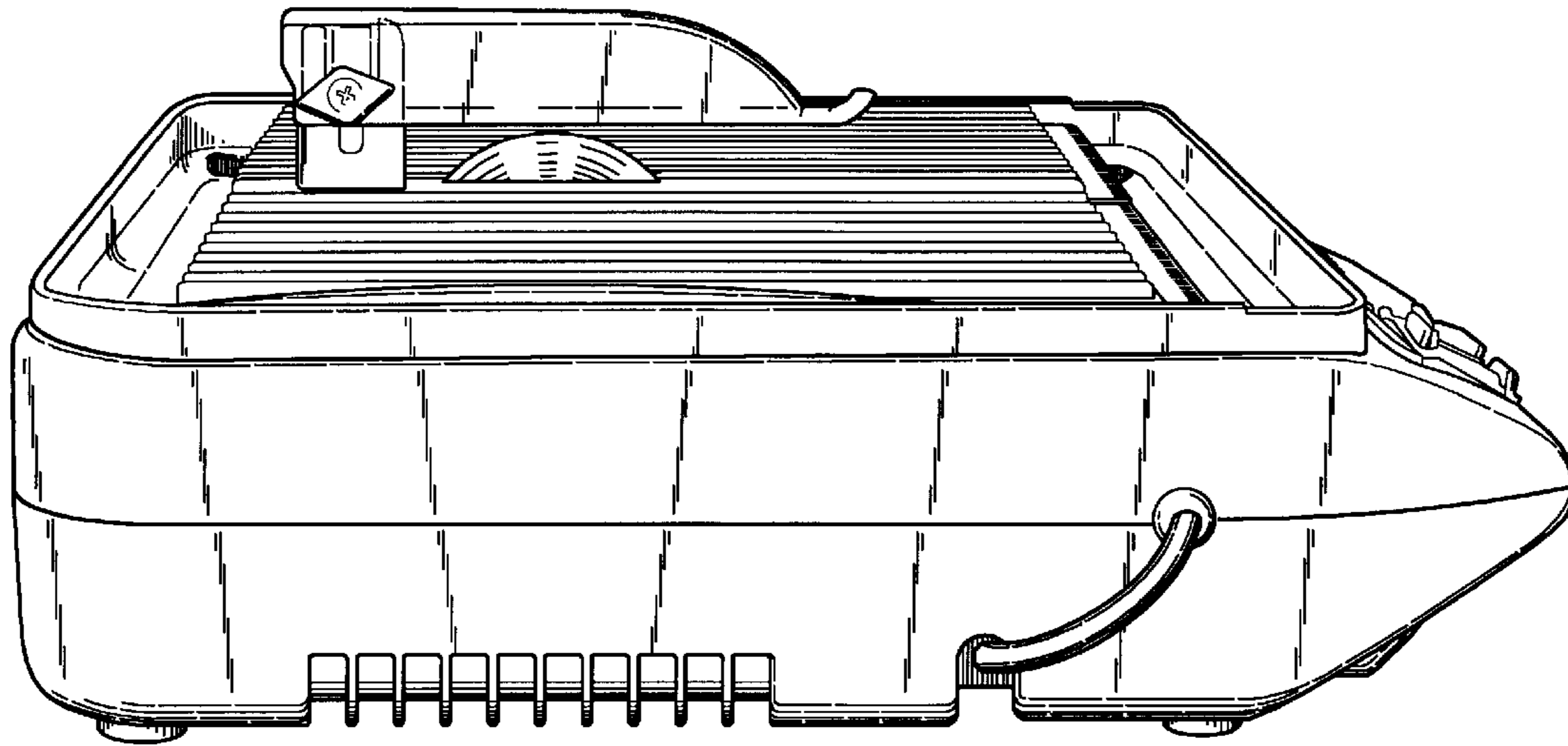


Fig. 5

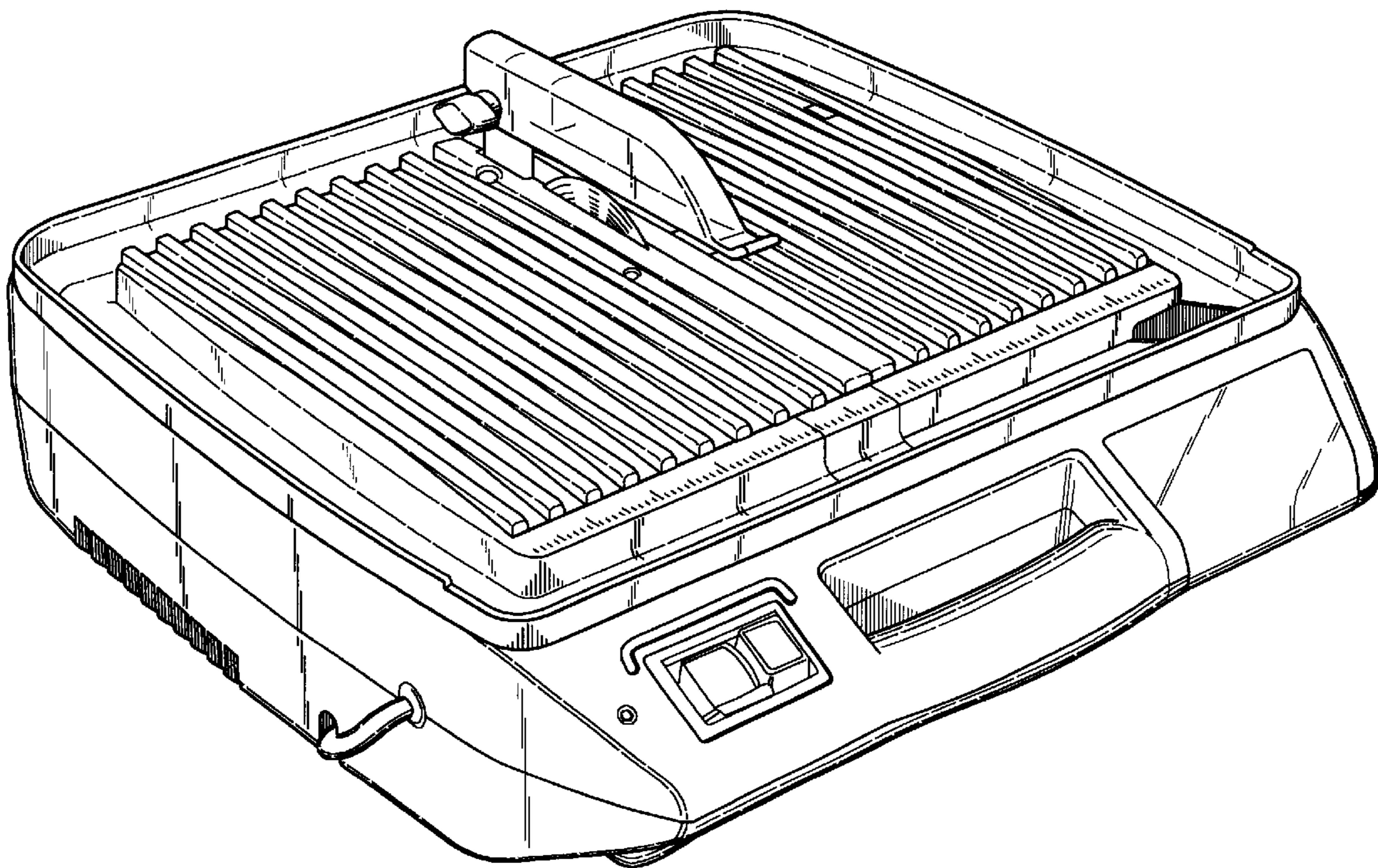


Fig. 6

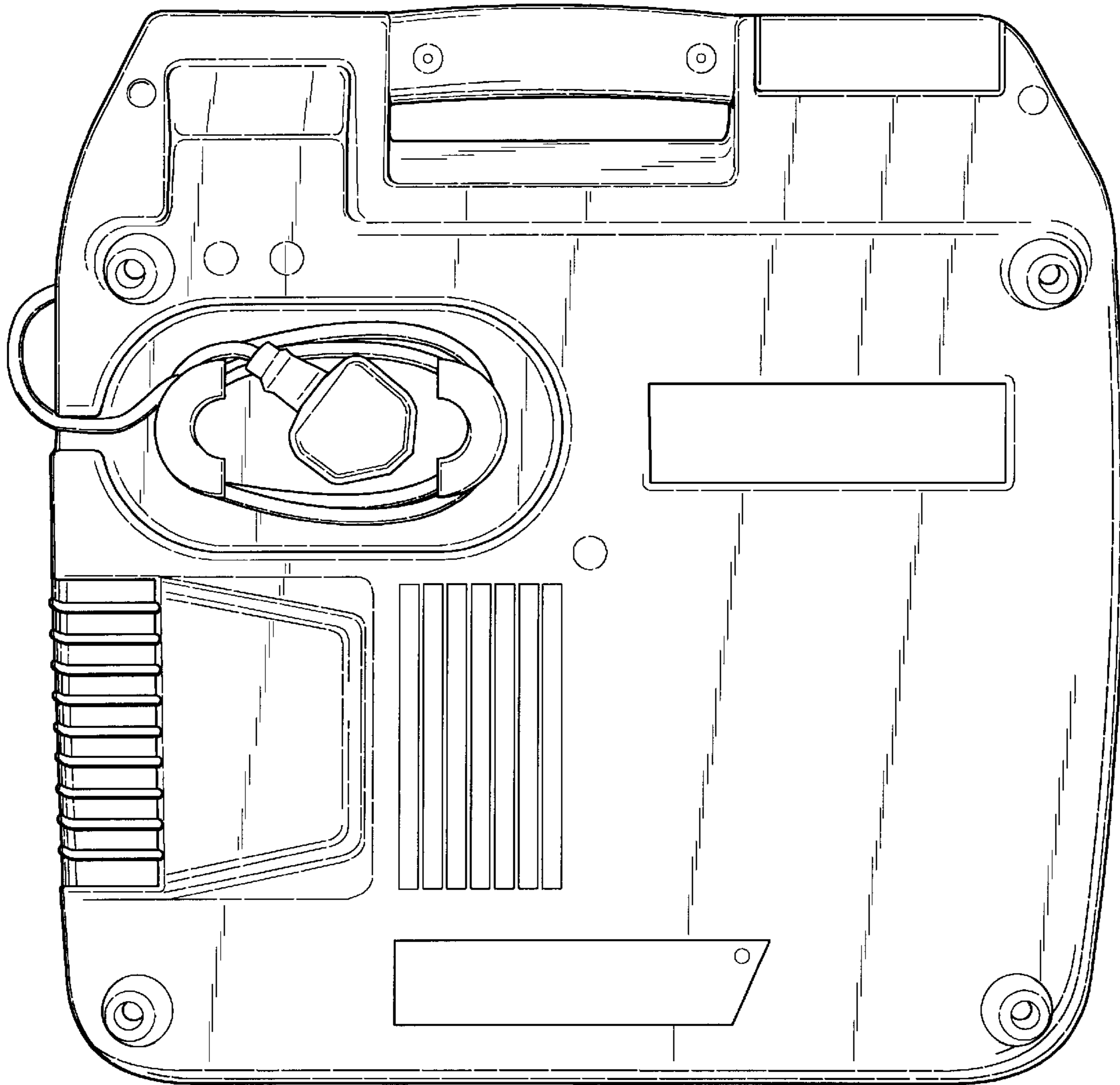


Fig. 7

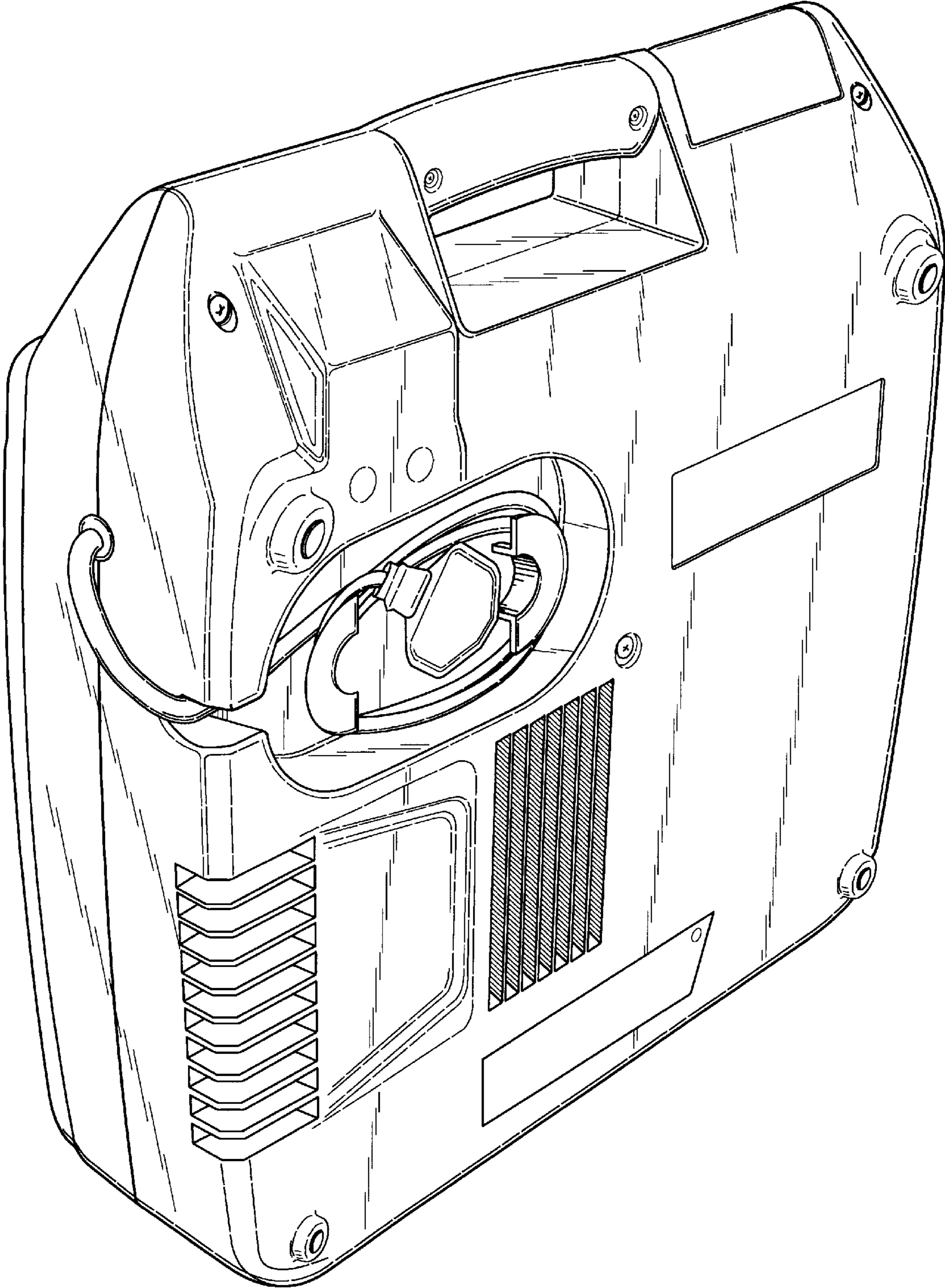


Fig. 8

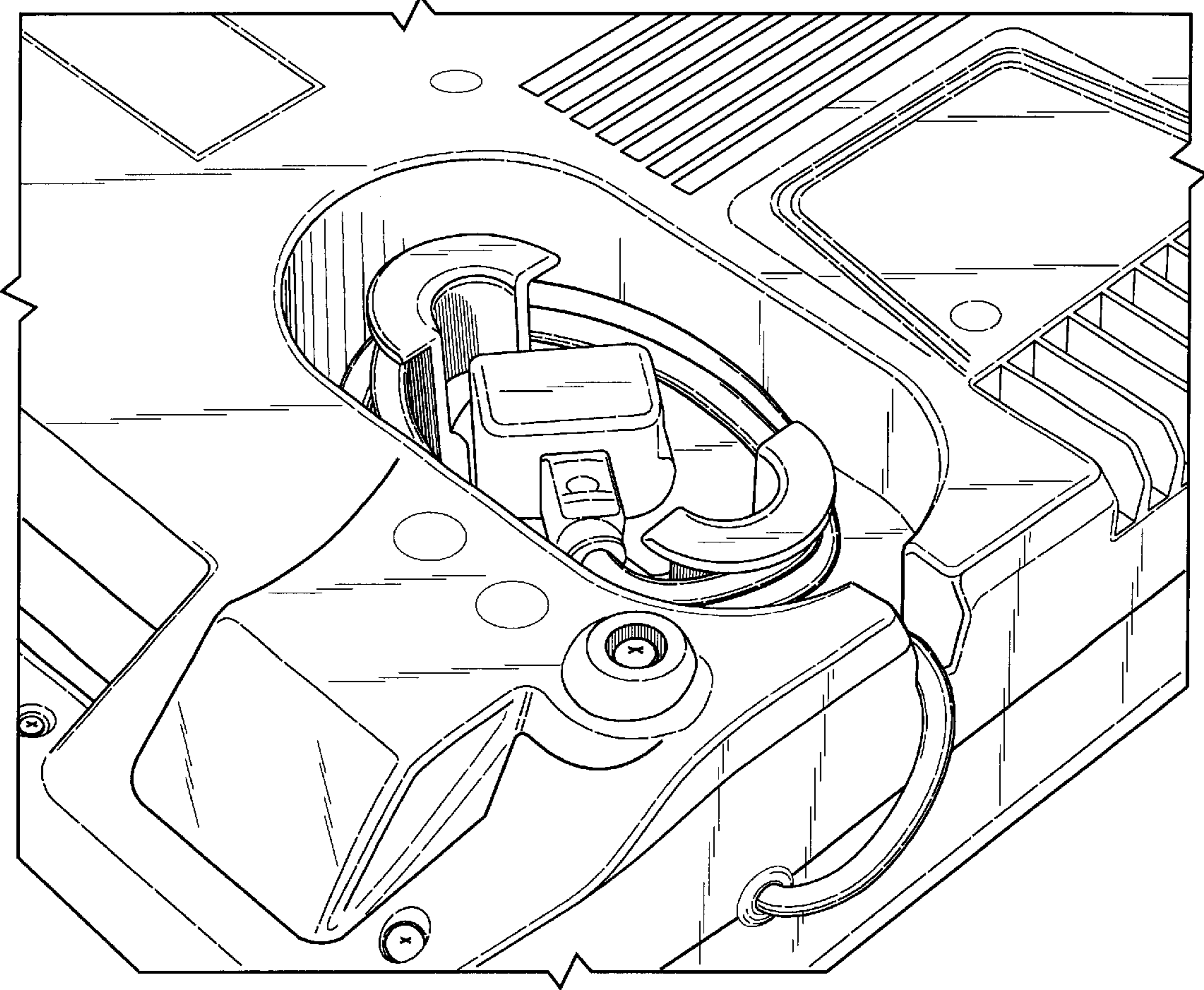


Fig. 9

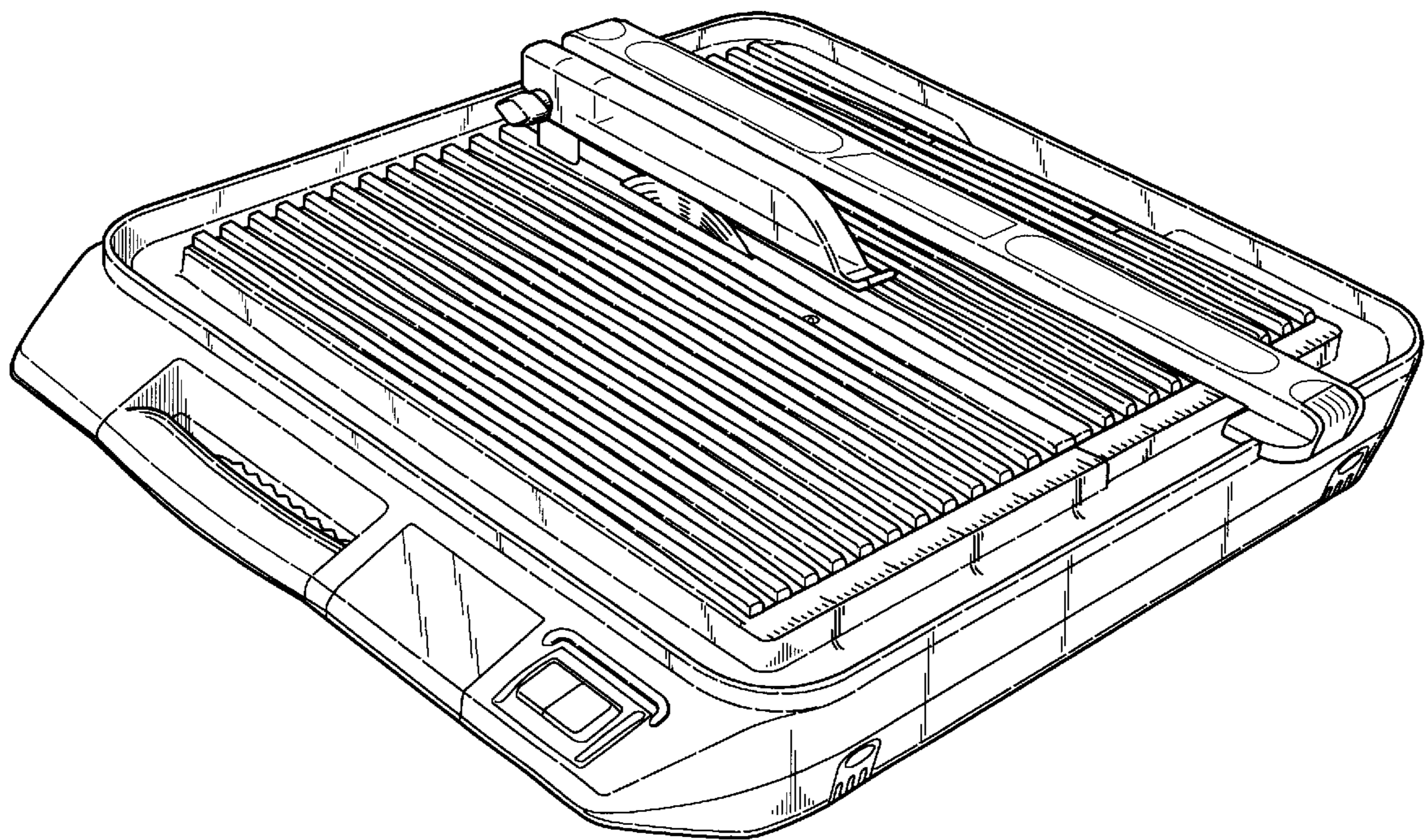


Fig. 10

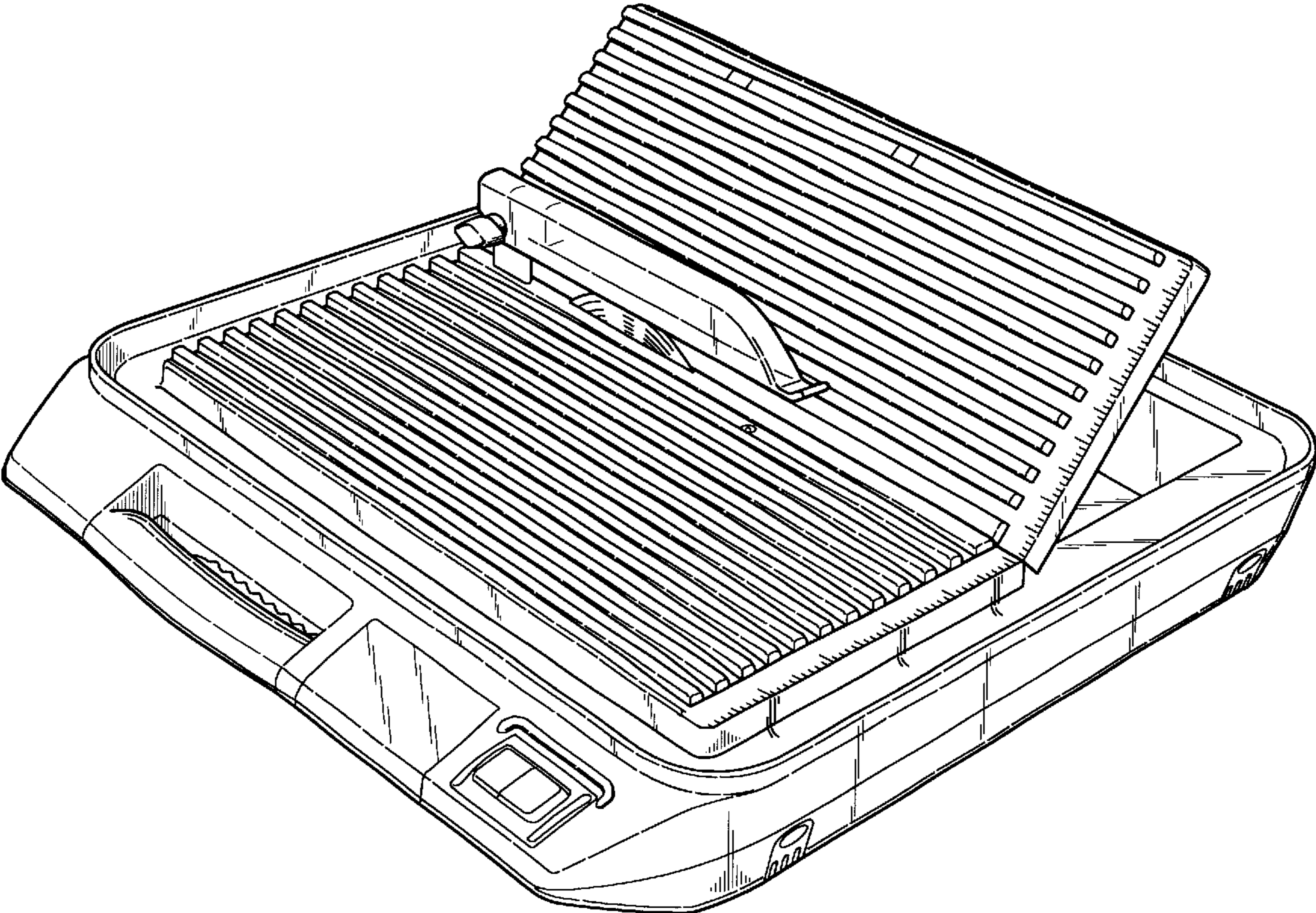


Fig. 11

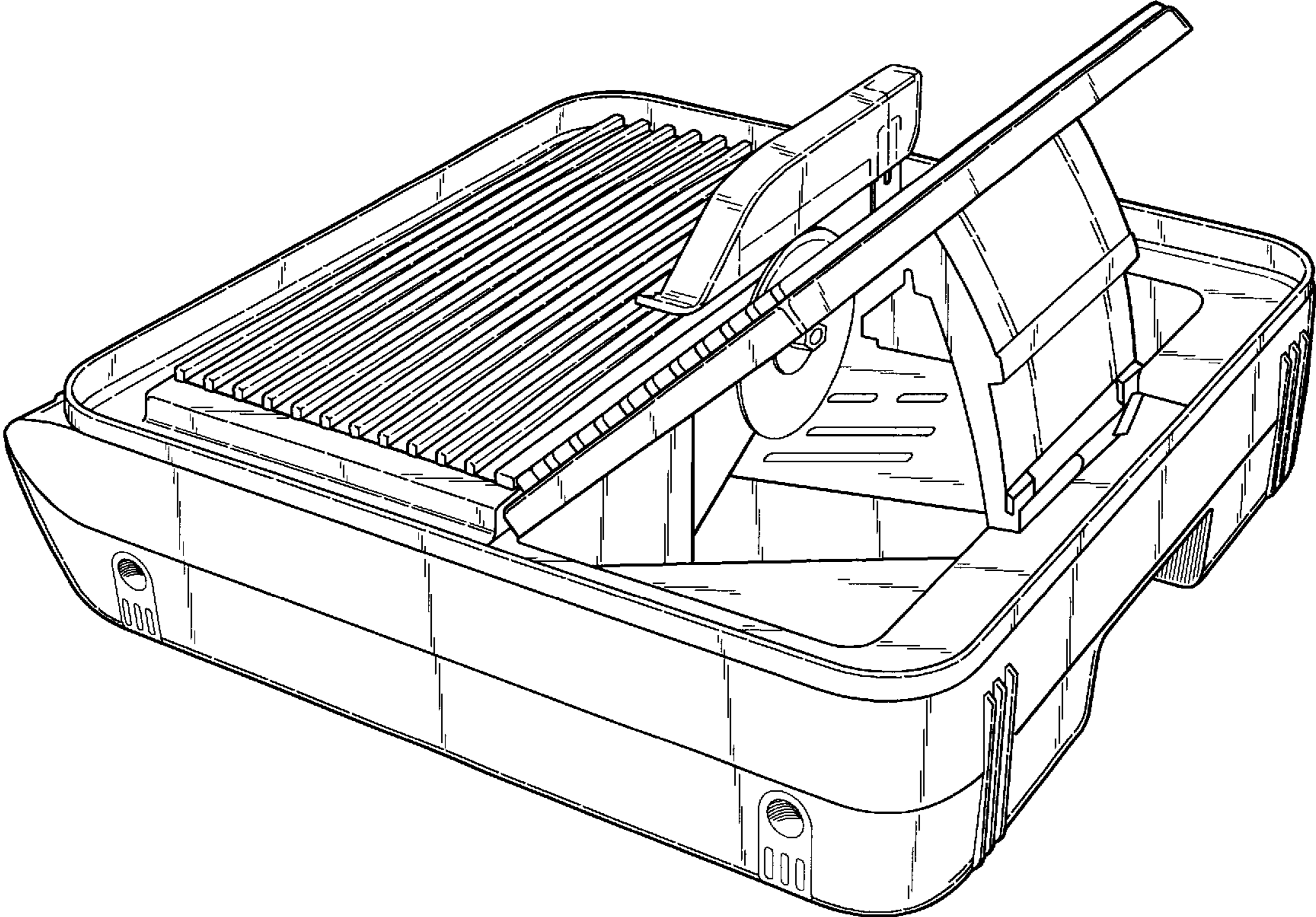


Fig. 12