



US00D533199S

(12) **United States Design Patent**
Ugarte

(10) **Patent No.:** **US D533,199 S**

(45) **Date of Patent:** **** Dec. 5, 2006**

(54) **REFRIGERATED DISPLAY CASE**

6,179,434 B1 * 1/2001 Saraji 362/125
D516,591 S * 3/2006 Vanhoof D15/81

(75) Inventor: **Jesus Ugarte**, Pamplona (ES)

* cited by examiner

(73) Assignee: **Hussman Koxka, S.L.**, Pamplona (ES)

Primary Examiner—Nanda Bondade

Assistant Examiner—Shanda C. Hill

(**) Term: **14 Years**

(74) *Attorney, Agent, or Firm*—Michael Best & Friedrich, LLP

(21) Appl. No.: **29/223,656**

(22) Filed: **Feb. 17, 2005**

(57) **CLAIM**

(Under 37 CFR 1.47)

The ornamental design for a refrigerated display case, as shown and described.

(51) **LOC (8) Cl.** **15-07**

(52) **U.S. Cl.** **D15/89**

(58) **Field of Classification Search** D15/79,
D15/81, 83, 89; D6/470-474; 62/125-127,
62/137, 331, 351, 382, 389, 440, 458; 312/116,
312/139, 224, 405; 362/125

See application file for complete search history.

DESCRIPTION

FIG. 1 is a perspective view of a refrigerated display case showing my new design;

FIG. 2 is a side view thereof;

FIG. 3 is a opposite side view thereof;

FIG. 4 is a rear view thereof;

FIG. 5 is a front view thereof; and,

FIG. 6 is a top view thereof.

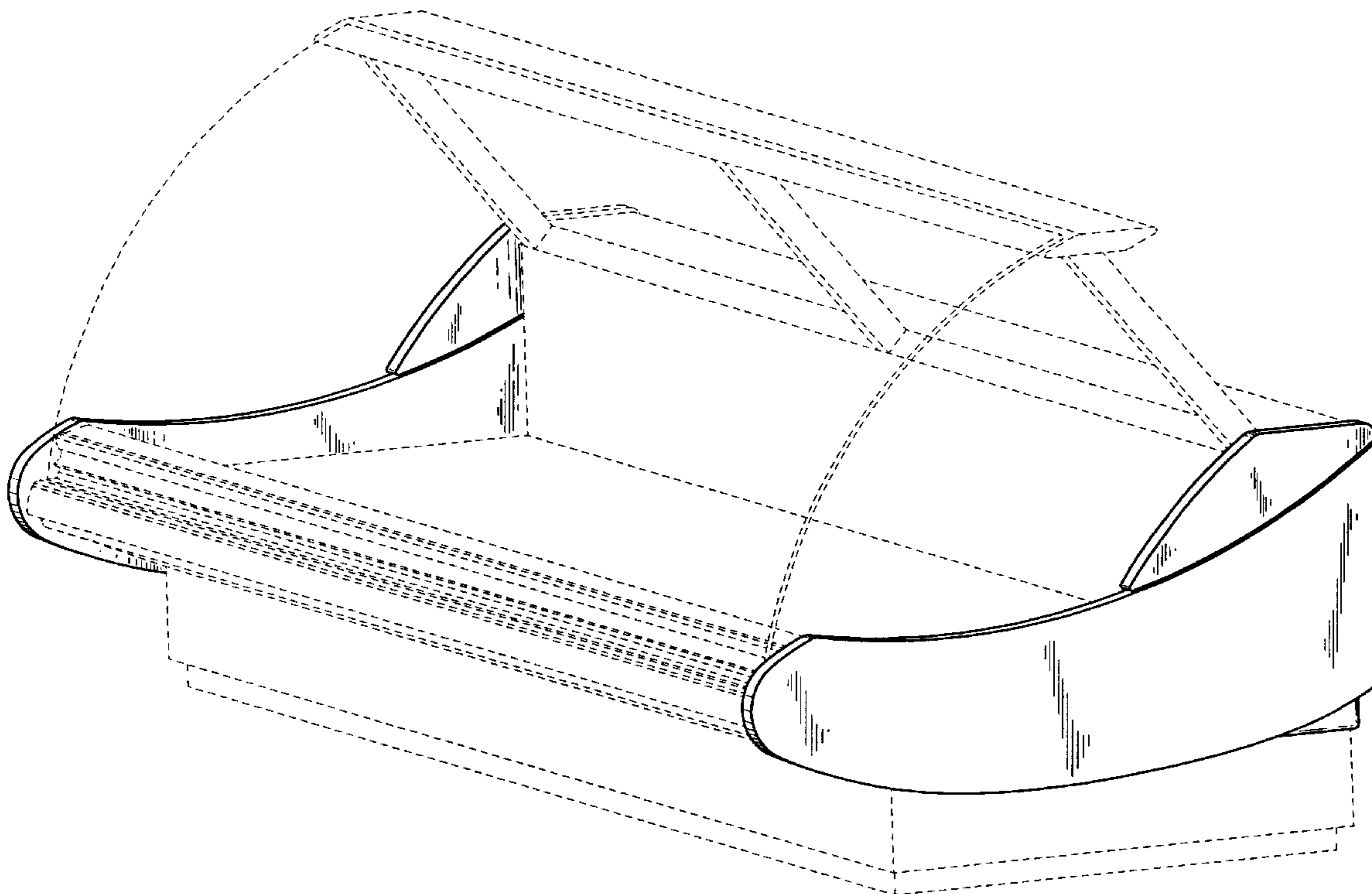
The broken lines shown in the drawing disclosure are for illustrative purposes only and form no part of the claimed design.

(56) **References Cited**

U.S. PATENT DOCUMENTS

2,320,556 A * 6/1943 Belshaw 312/224
D209,722 S * 12/1967 Mangini D6/471
D293,986 S * 2/1988 Raufeisen D6/471
D427,210 S * 6/2000 Tsukida D15/83

1 Claim, 4 Drawing Sheets



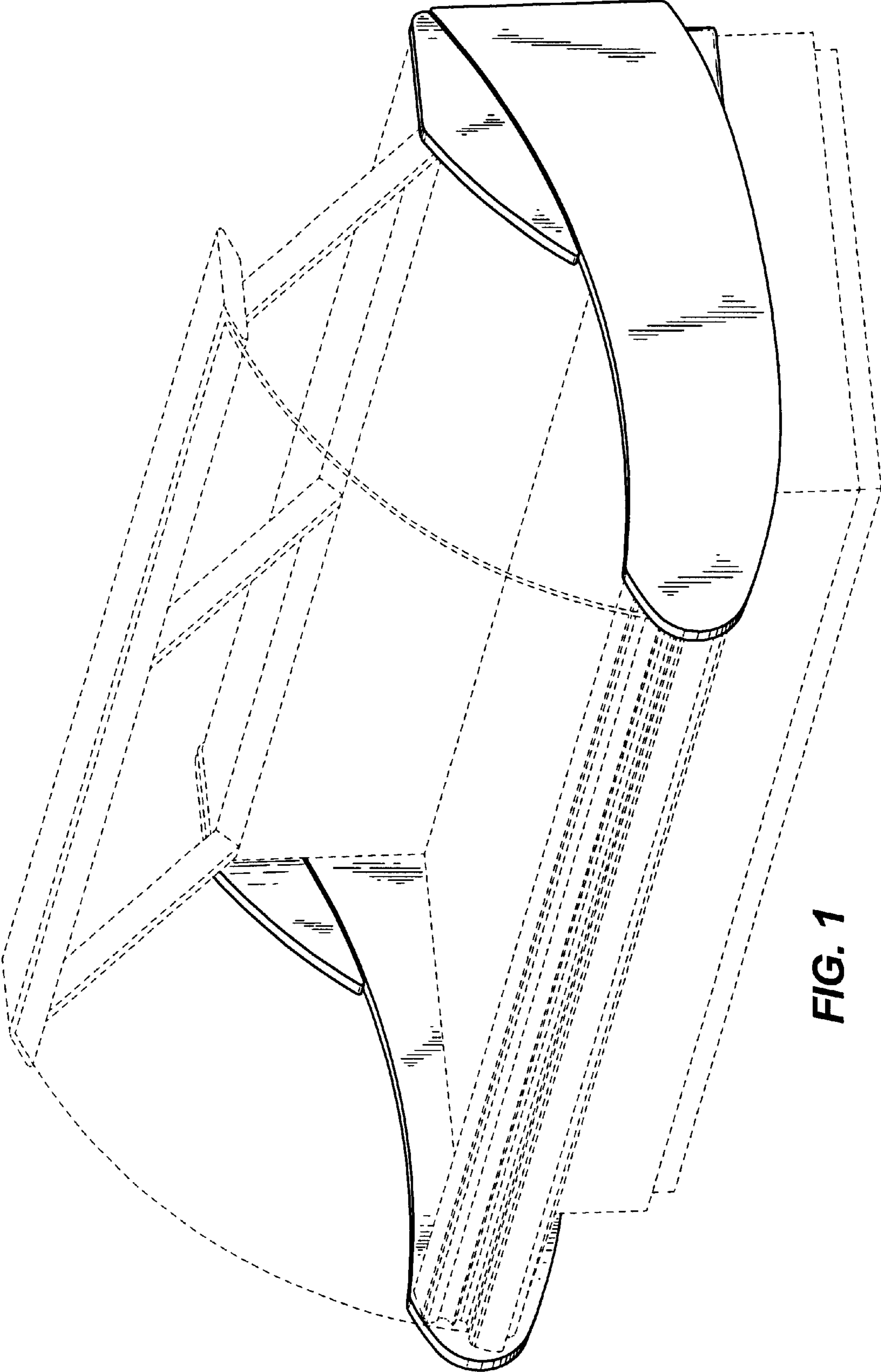


FIG. 1

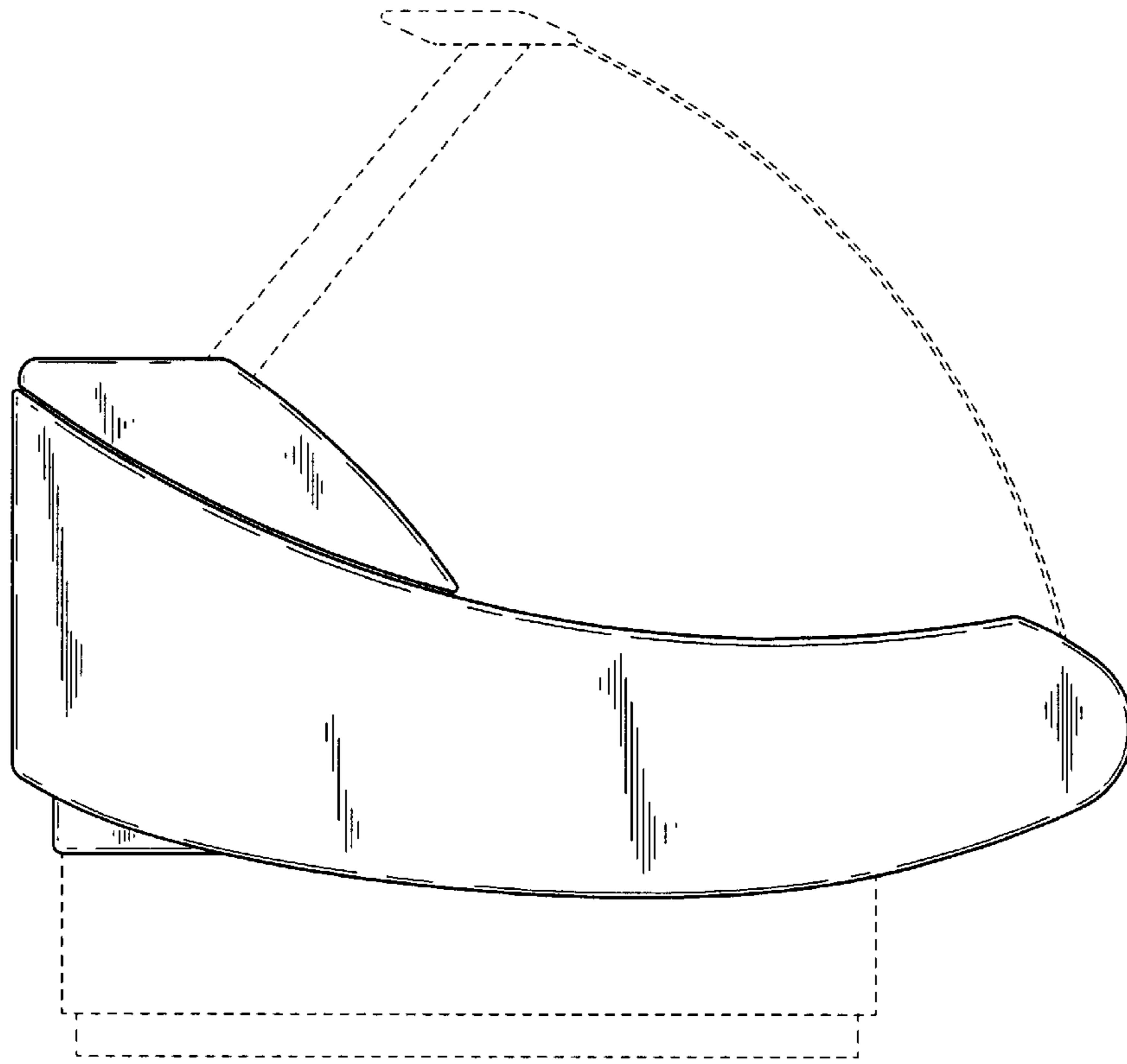


FIG. 2

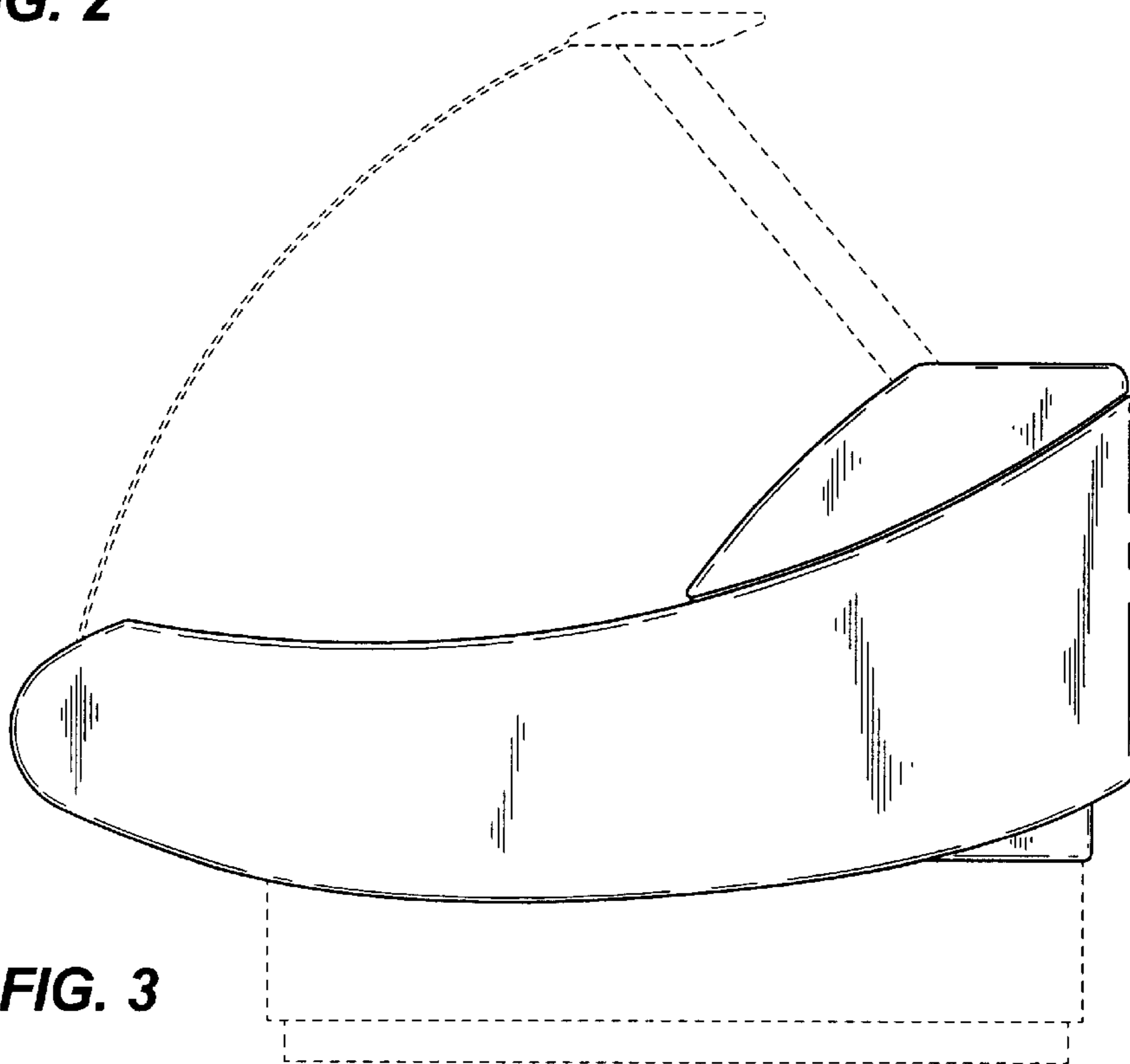


FIG. 3

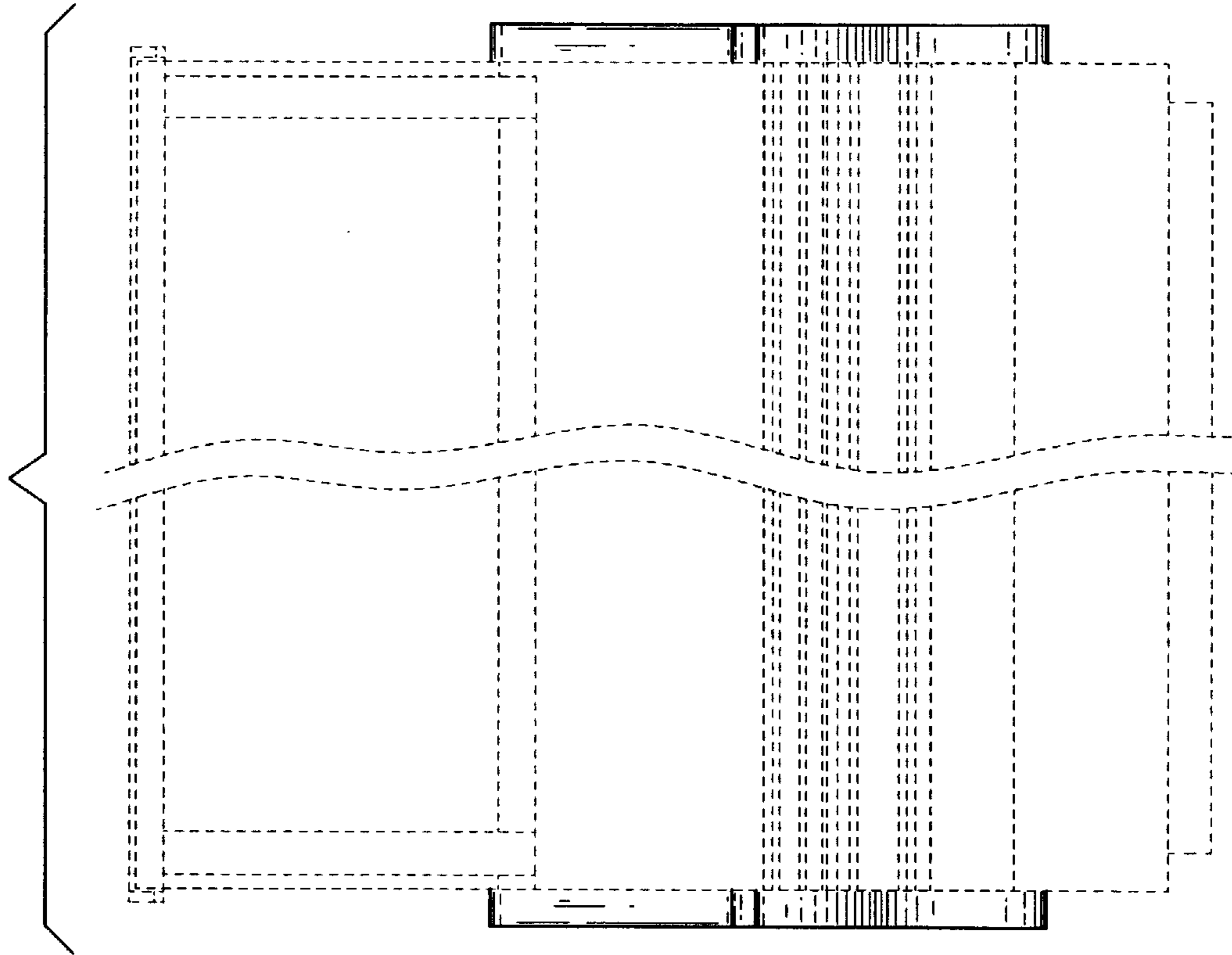


FIG. 5

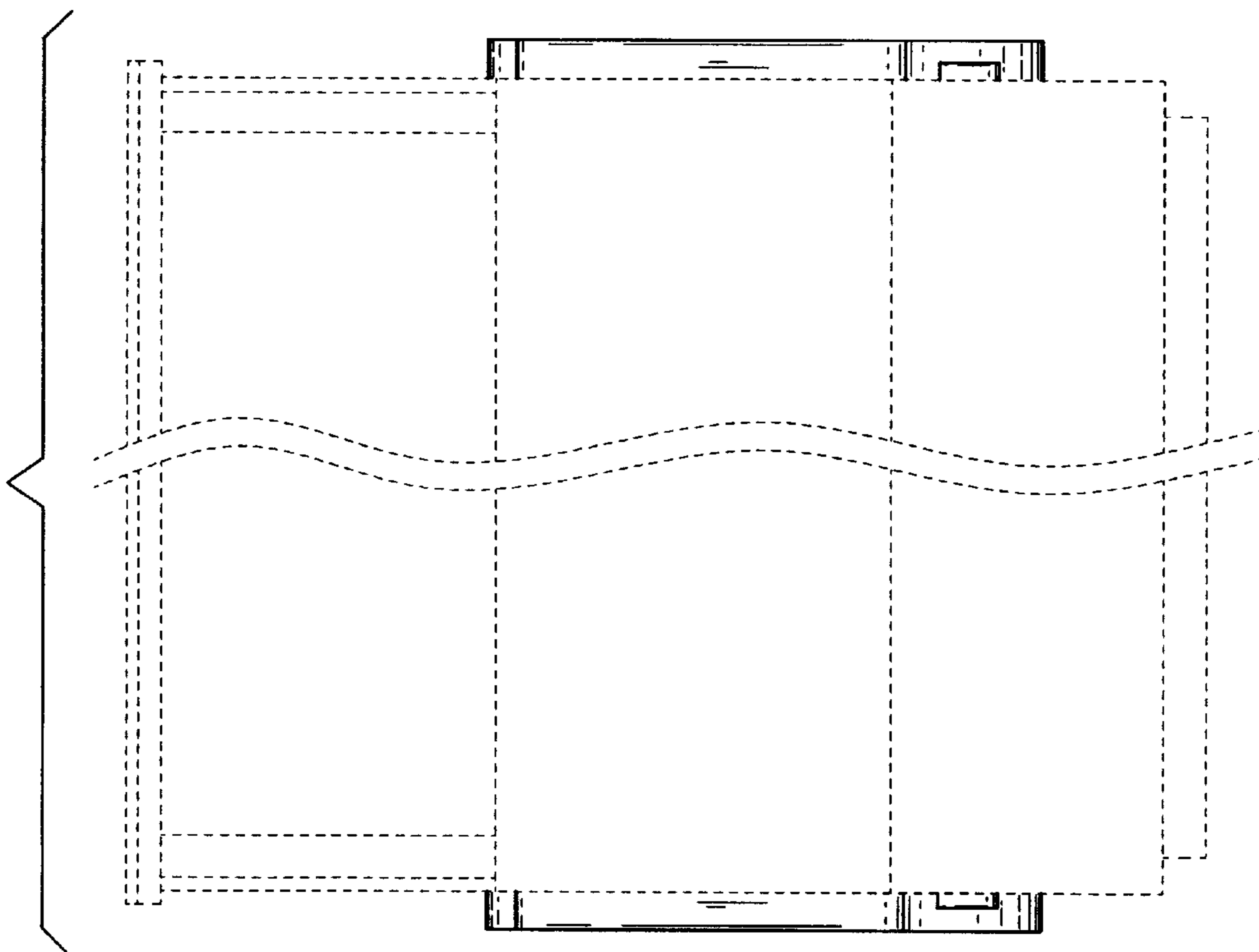


FIG. 4

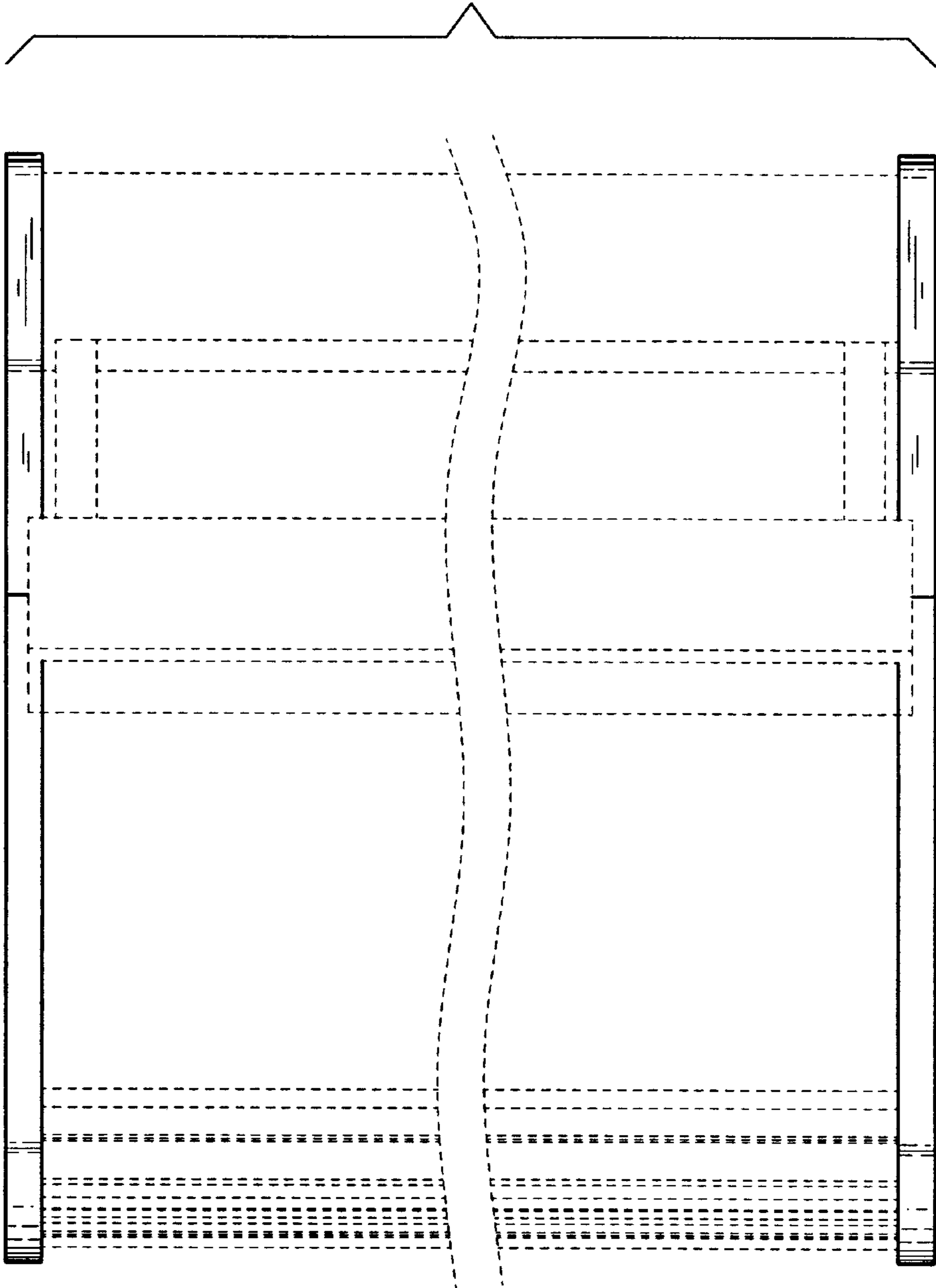


FIG. 6