



US00D533198S

(12) **United States Design Patent**  
**Becke**

(10) **Patent No.:** **US D533,198 S**

(45) **Date of Patent:** **\*\* Dec. 5, 2006**

(54) **APPLIANCE DISPLAY UNIT**

2005/0138948 A1 \* 6/2005 Lee ..... 62/331  
2006/0021360 A1 \* 2/2006 Kim et al. .... 62/126

(75) Inventor: **Christoph Becke**, Grosskarolinenfeld  
(DE)

\* cited by examiner

(73) Assignee: **BSH Bosch und Siemens Hausgeraete GmbH**, Munich (DE)

*Primary Examiner*—Nanda Bondade

*Assistant Examiner*—Shanda C. Hill

(\*\*) Term: **14 Years**

(74) *Attorney, Agent, or Firm*—Russell W. Warnock; Craig J. Loest

(21) Appl. No.: **29/218,041**

(57) **CLAIM**

(22) Filed: **Nov. 24, 2004**

The ornamental design for a appliance display unit, as shown and described.

(30) **Foreign Application Priority Data**

**DESCRIPTION**

May 25, 2004 (EM) ..... 000188172

(51) **LOC (8) Cl.** ..... **15-07**

(52) **U.S. Cl.** ..... **D15/89**

(58) **Field of Classification Search** ..... D15/79,  
D15/80, 81, 89, 91; 348/552; 62/125-127,  
62/246, 331, 377, 902; 312/400-405, 116,  
312/236, 297

See application file for complete search history.

FIG. 1 is a front view of an appliance display unit showing my new design;

FIG. 2 is a top perspective view of FIG. 1;

FIG. 3 is an enlarged right side view of FIG. 1;

FIG. 4 is a top perspective view of FIG. 1 shown in a partially extended position;

FIG. 5 is a top perspective view of FIG. 1 shown in a fully extended position;

FIG. 6 is a top perspective view of FIG. 1 shown in a left facing fully extended position; and,

FIG. 7 is a top perspective view of FIG. 1 shown in a right facing fully extended position.

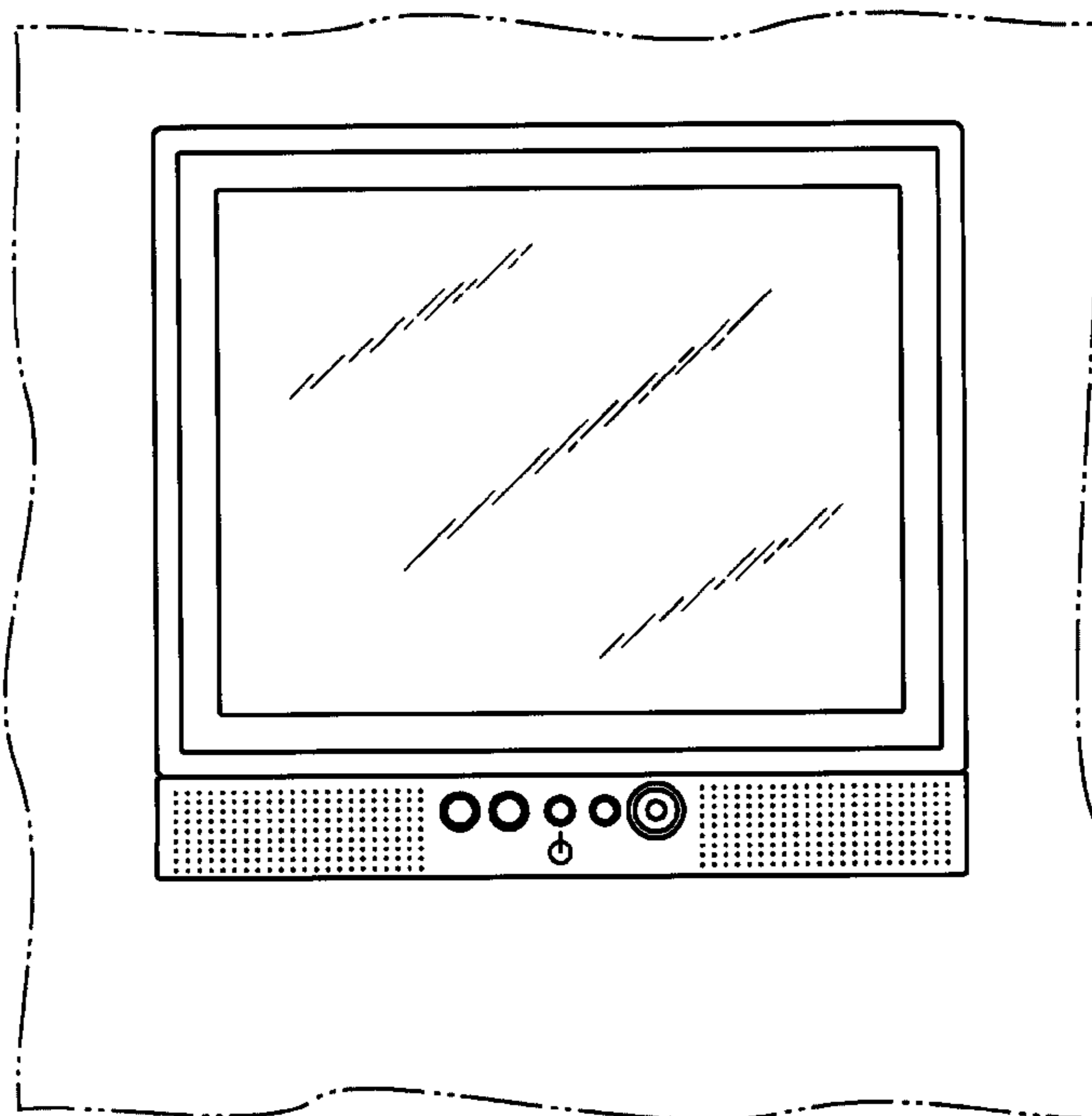
The broken lines shown in the drawing disclosure are for illustrative purposes only and form no part of the claimed design.

(56) **References Cited**

**U.S. PATENT DOCUMENTS**

D89,536 S \* 3/1933 Replogle ..... D15/91  
2001/0052741 A1 \* 12/2001 Yun ..... 312/405  
2003/0110784 A1 \* 6/2003 Lee ..... 62/127  
2004/0177624 A1 \* 9/2004 Wo ..... 62/125  
2005/0097912 A1 \* 5/2005 Nam et al. .... 62/331

**1 Claim, 7 Drawing Sheets**



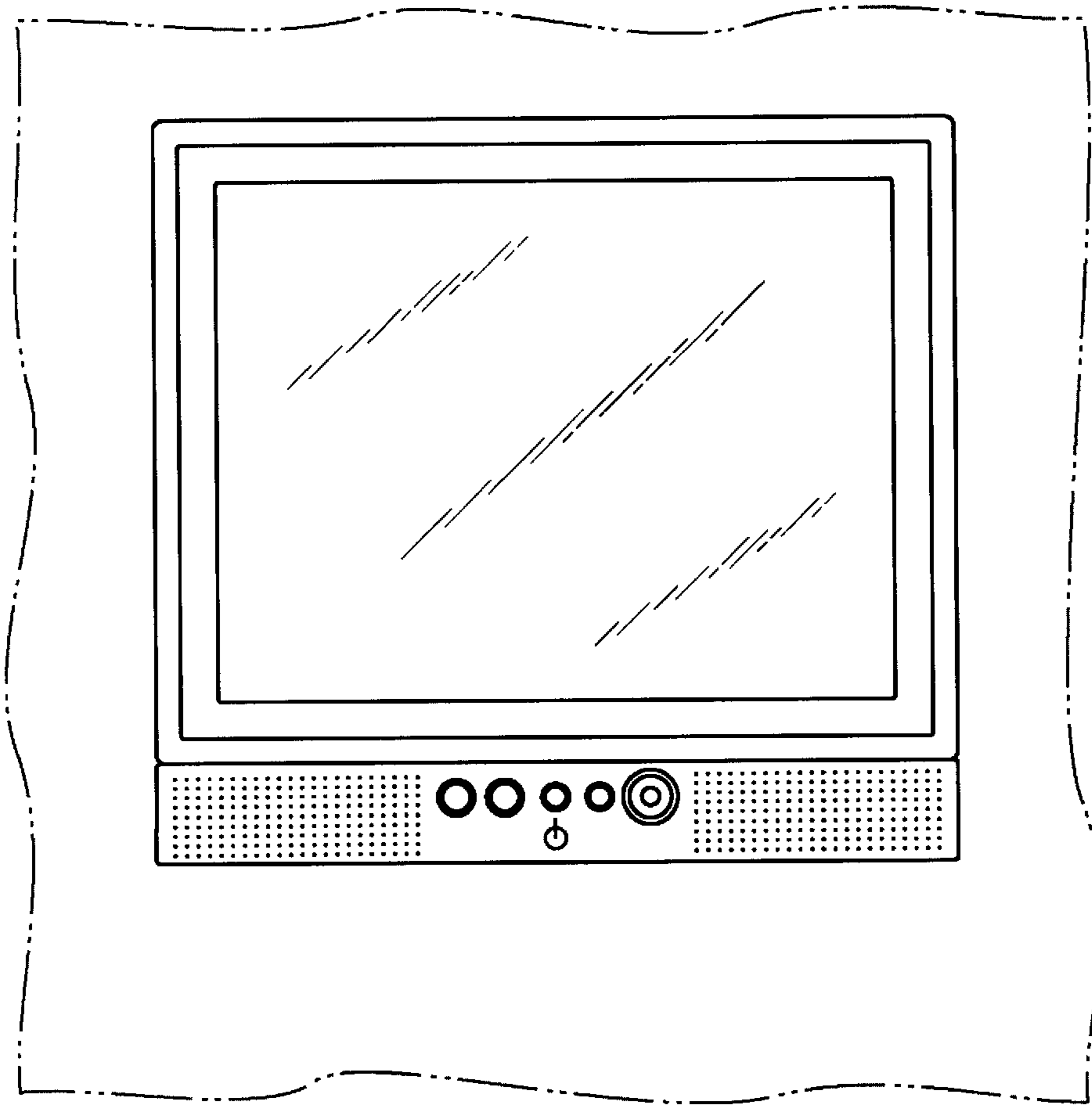


FIG. 1

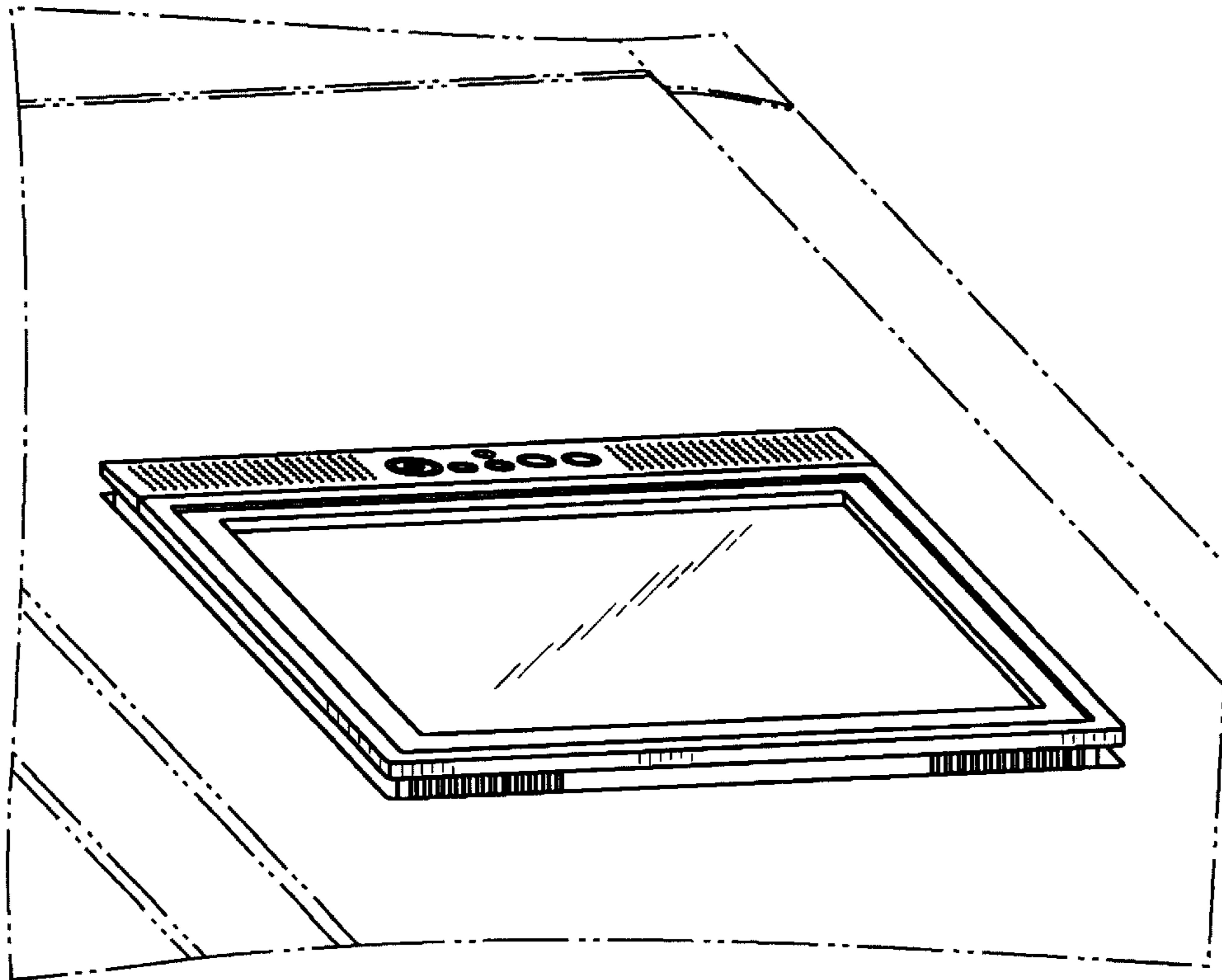


FIG. 2

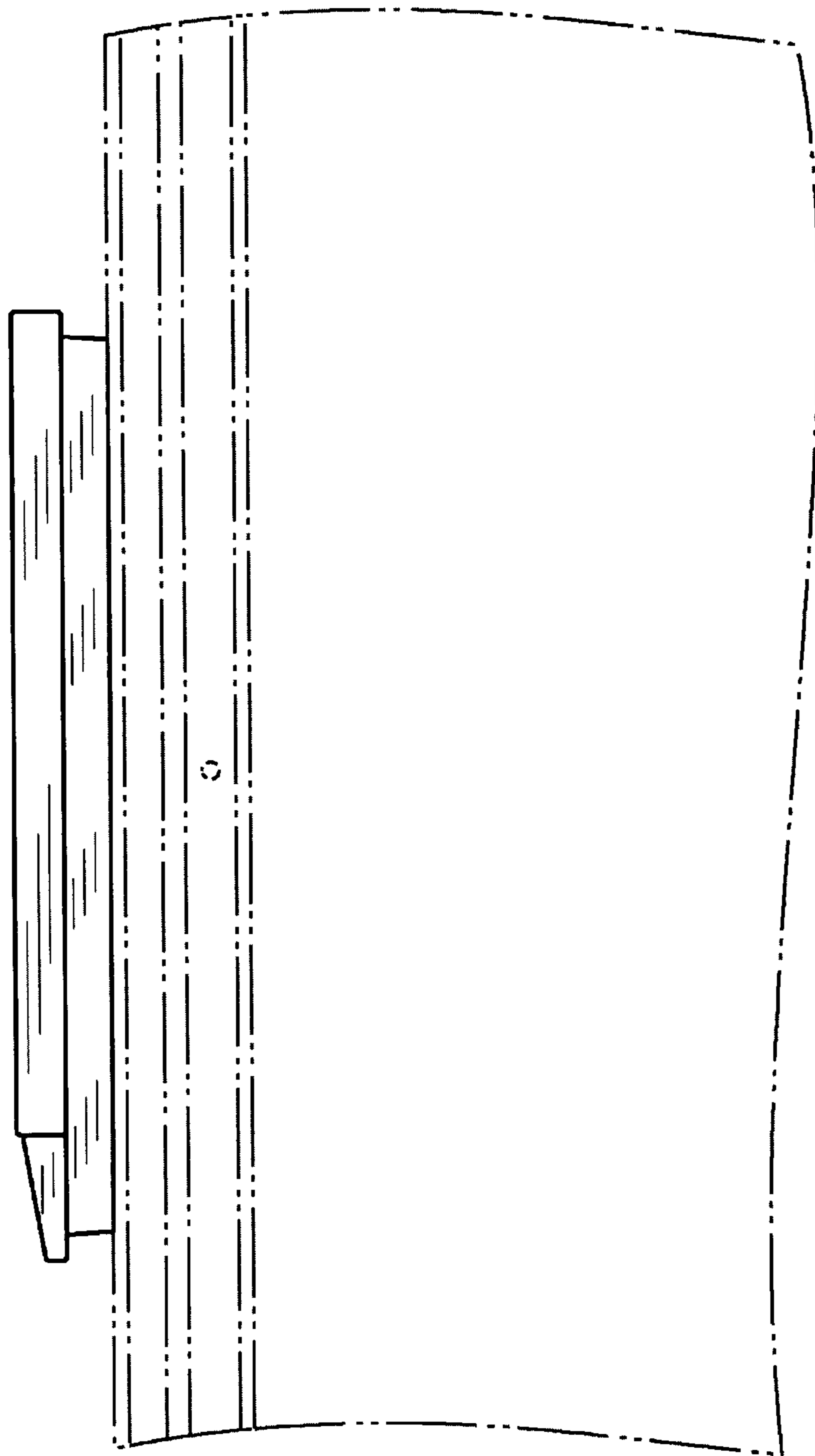


FIG. 3

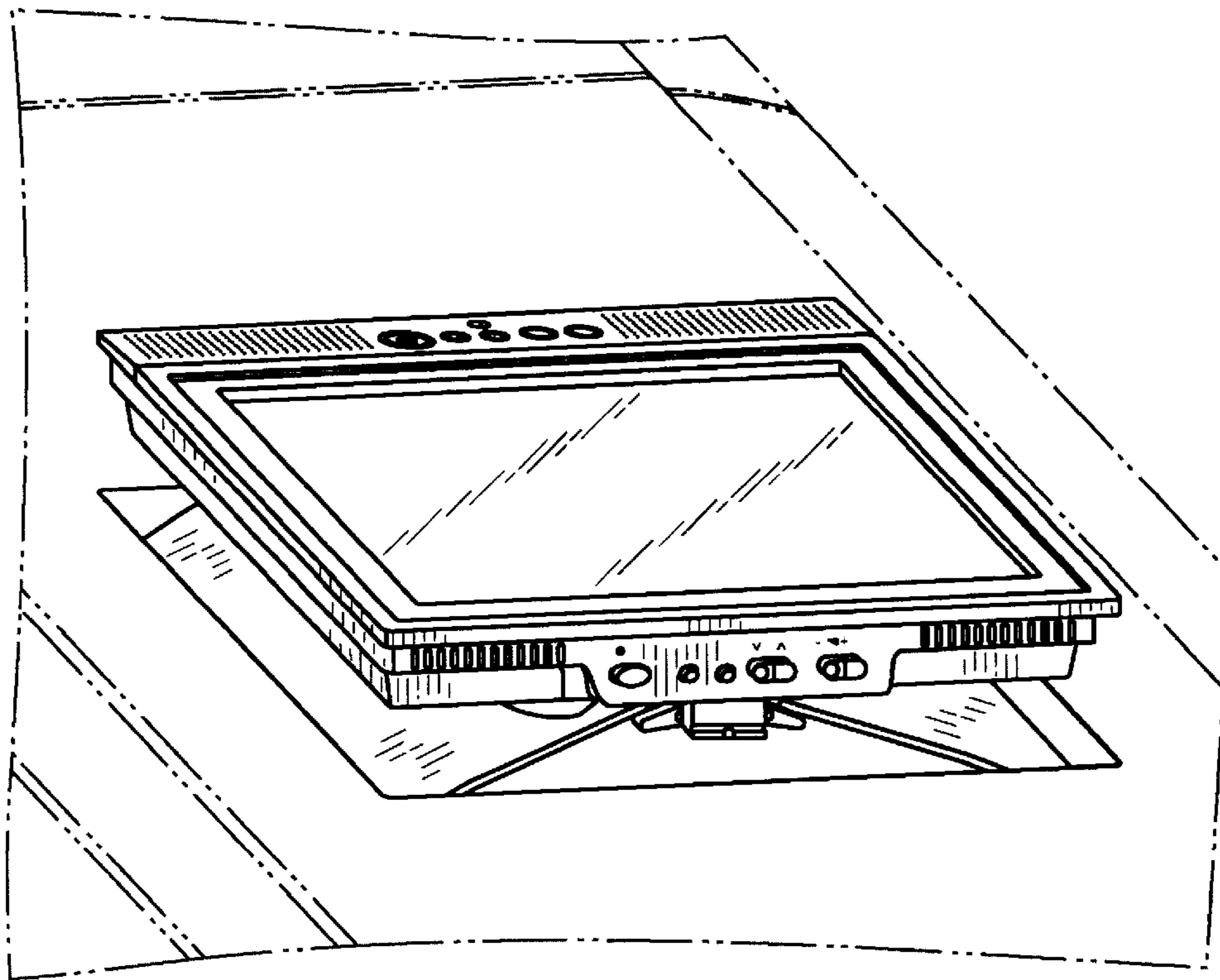


FIG. 4

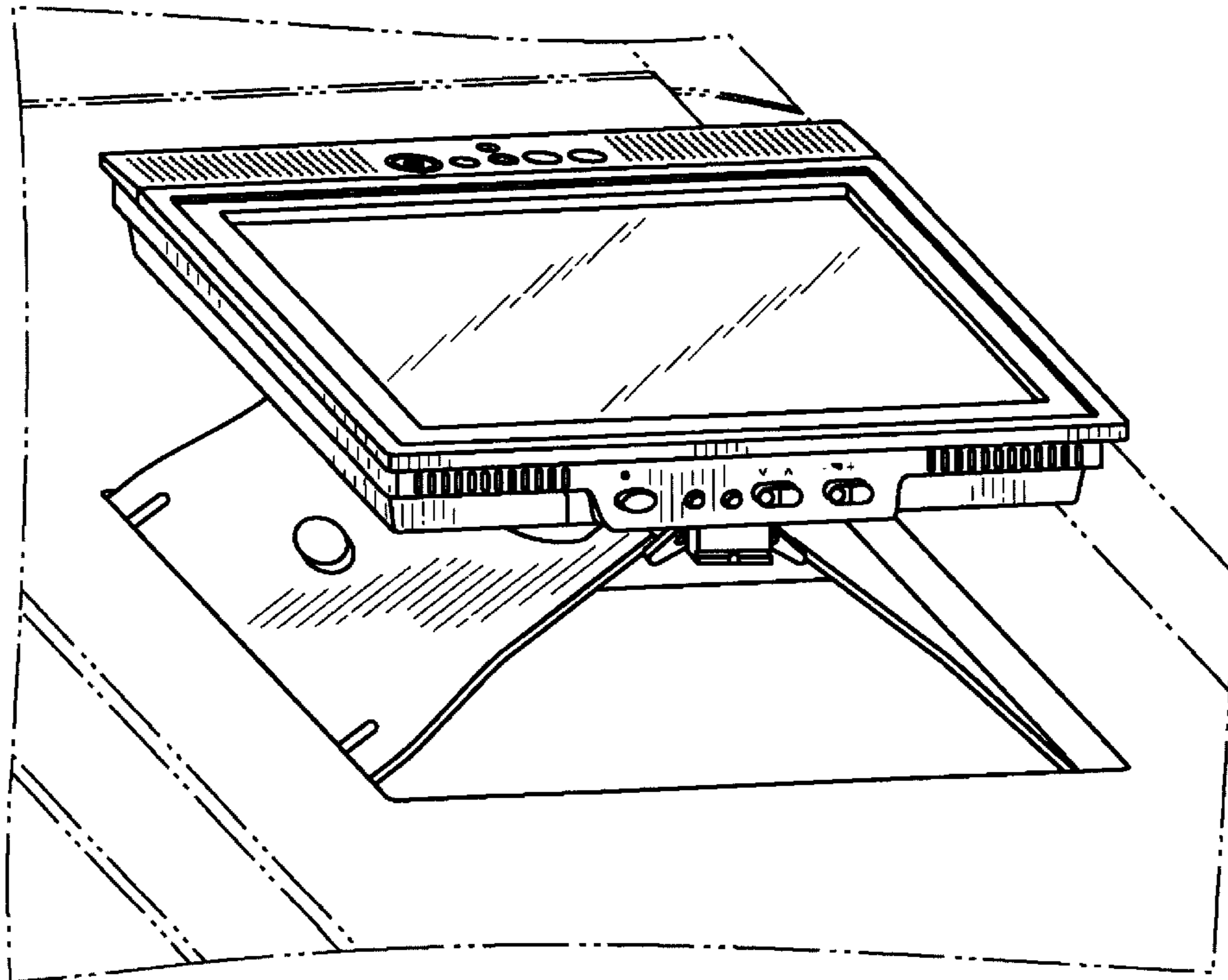


FIG. 5

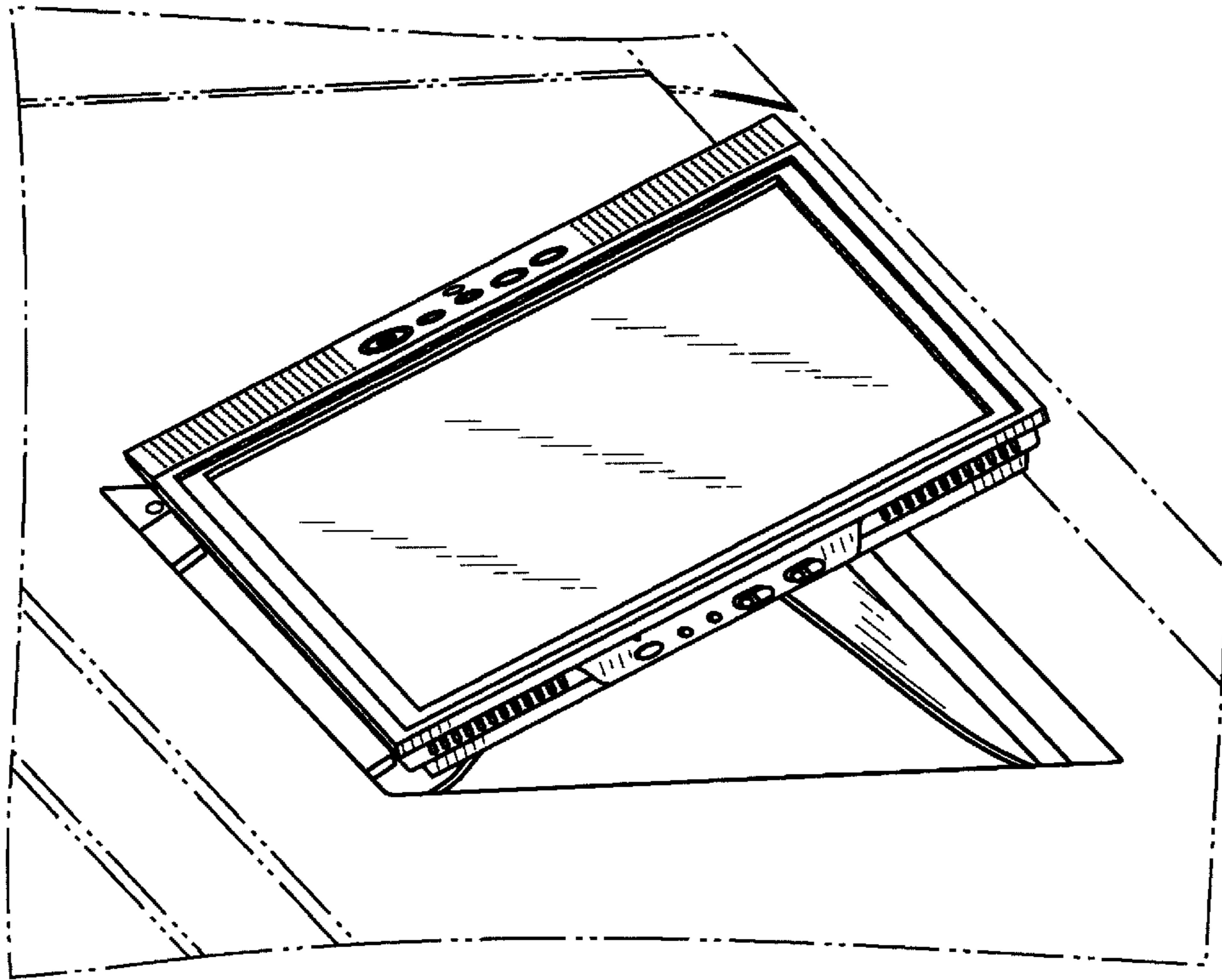


FIG. 6

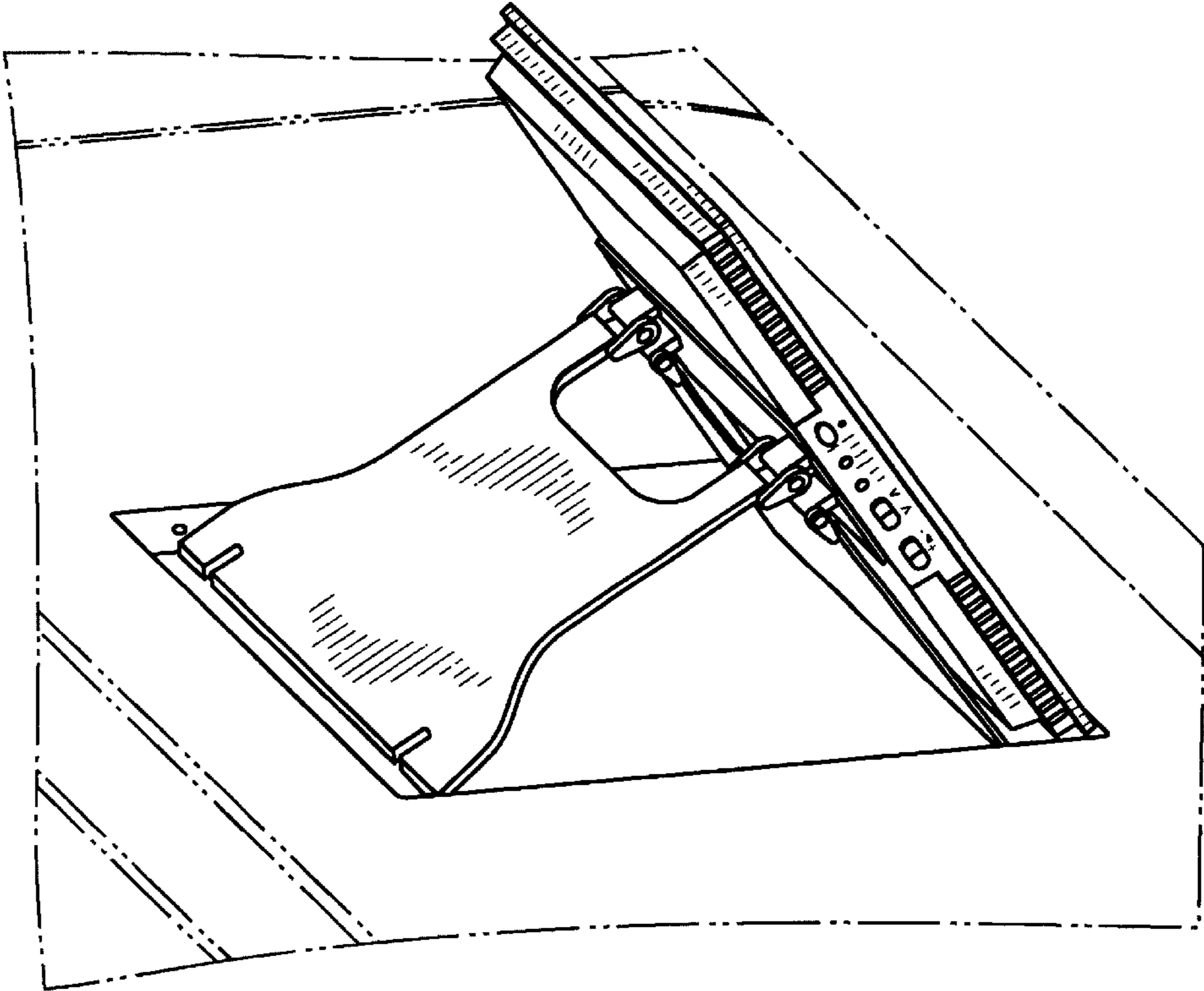


FIG. 7