



US00D533194S

(12) **United States Design Patent**
Cimbura

(10) **Patent No.:** **US D533,194 S**

(45) **Date of Patent:** **** Dec. 5, 2006**

(54) **INTAKE MANIFOLD SET**

D517,567 S * 3/2006 Teeter D15/5
7,017,543 B1 * 3/2006 Menin 123/184.42

(75) Inventor: **David J. Cimbura**, Denver, CO (US)

* cited by examiner

(73) Assignee: **Momar Injection Inc.**, Denver, CO (US)

Primary Examiner—Ian Simmons
Assistant Examiner—Maurice Stevens

(**) Term: **14 Years**

(74) *Attorney, Agent, or Firm*—Edwin H. Crabtree; Ramon L. Pizarro

(21) Appl. No.: **29/242,055**

(57) **CLAIM**

(22) Filed: **Nov. 5, 2005**

The ornamental design for an intake manifold set, as shown and described.

(51) **LOC (8) Cl.** **15-01**

(52) **U.S. Cl.** **D15/5**

(58) **Field of Classification Search** D15/1-5;
123/41.7, 41.73, 41.27, 210, 572, 573, 585,
123/187.34-184.36, 194.42, 41.1; 261/23.3,
261/23.4, DIG. 36

See application file for complete search history.

DESCRIPTION

FIG. 1 is a front perspective view of an intake manifold set showing my new design shown mounted on top of an engine;

FIG. 2 is an enlarged front perspective view thereof;

FIG. 3 is an enlarged rear perspective view thereof;

FIG. 4 is an enlarged top view thereof; and,

FIG. 5 is an enlarged bottom view thereof.

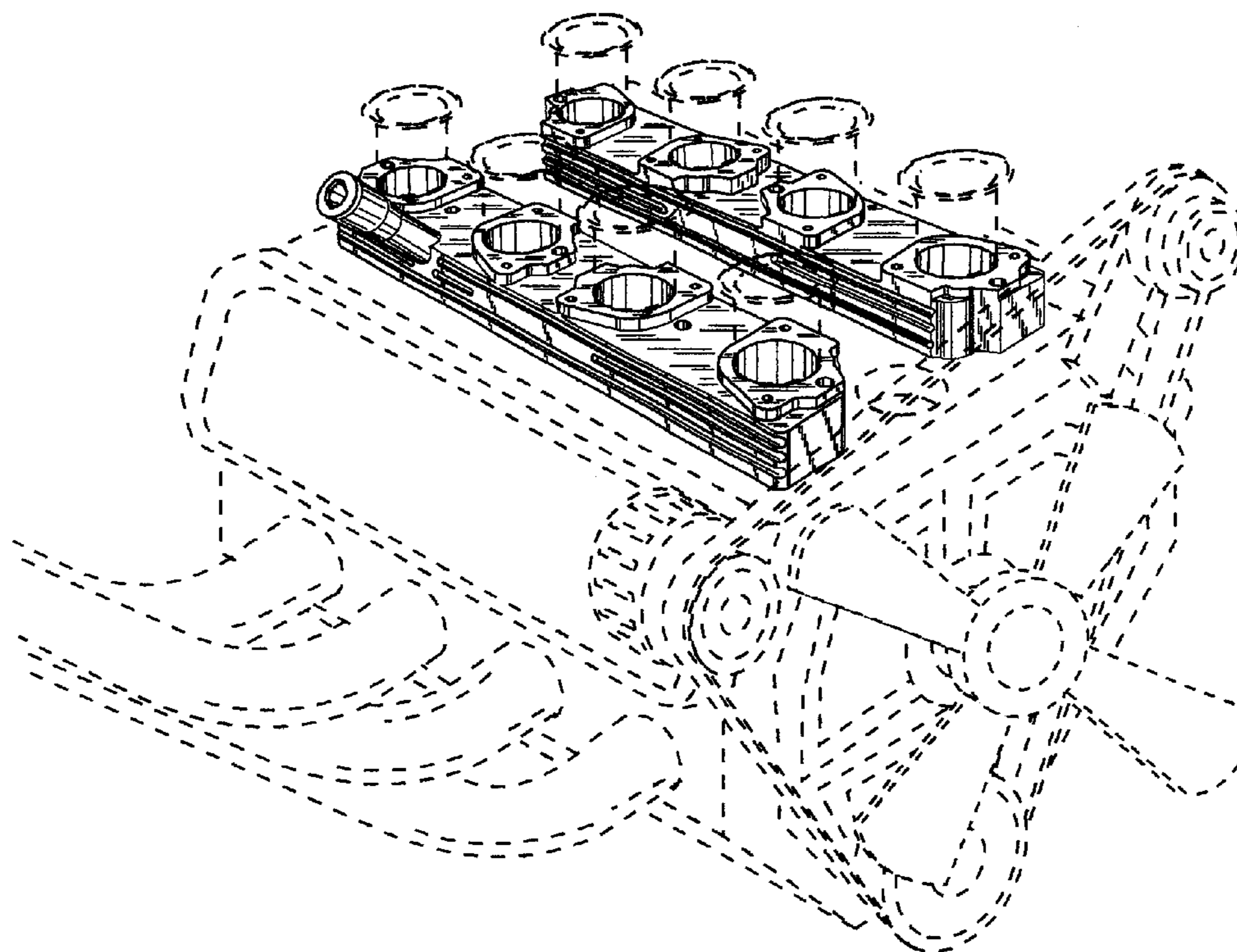
The broken lines shown in FIG. 1 are for illustrative purposes only and form no part of the claimed design.

(56) **References Cited**

U.S. PATENT DOCUMENTS

D364,628 S * 11/1995 Haller D15/5
D465,790 S * 11/2002 Magnuson D15/5
6,584,946 B1 * 7/2003 Cardno et al. 123/184.34

1 Claim, 4 Drawing Sheets



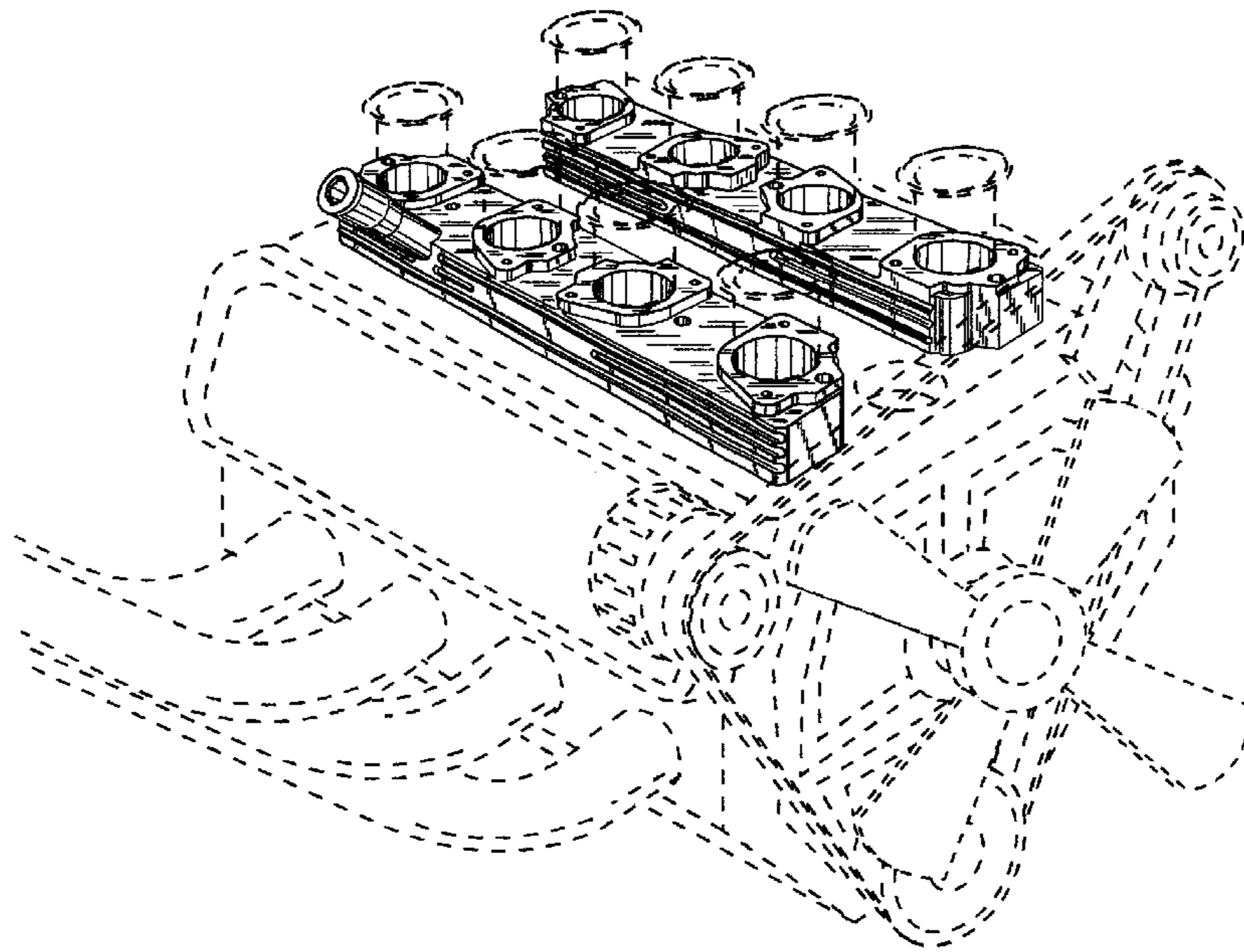


FIG. 1

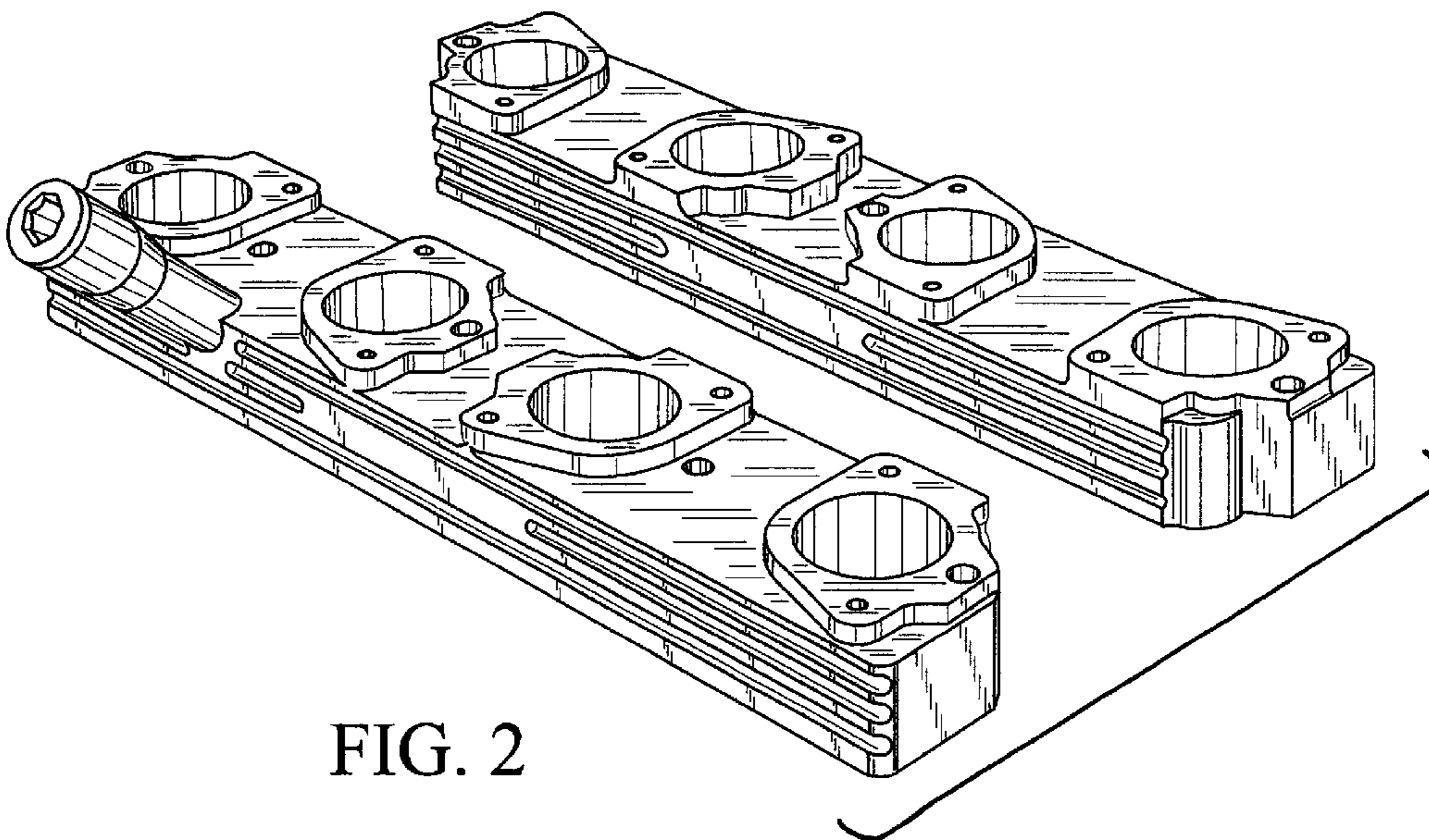


FIG. 2

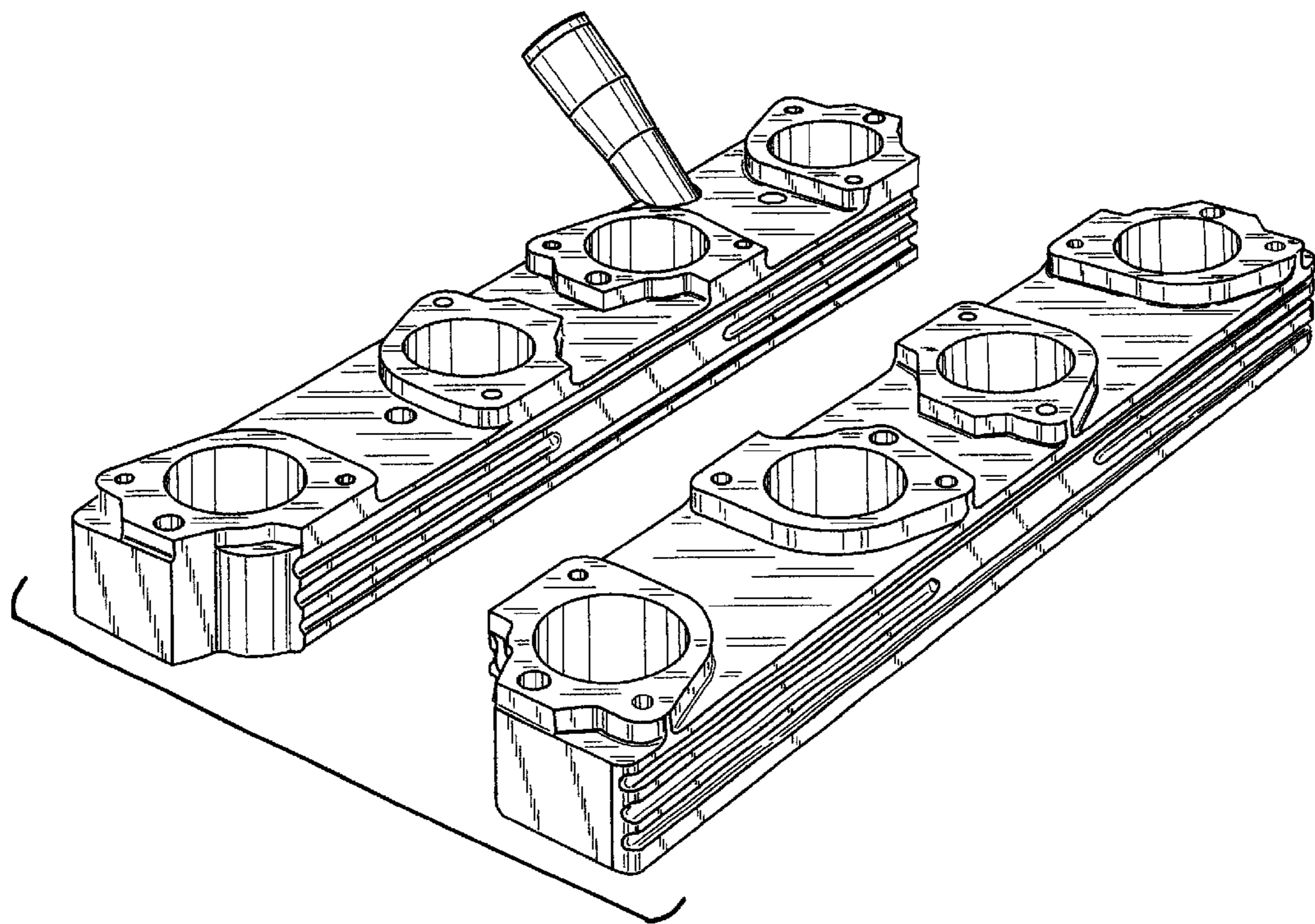


FIG. 3

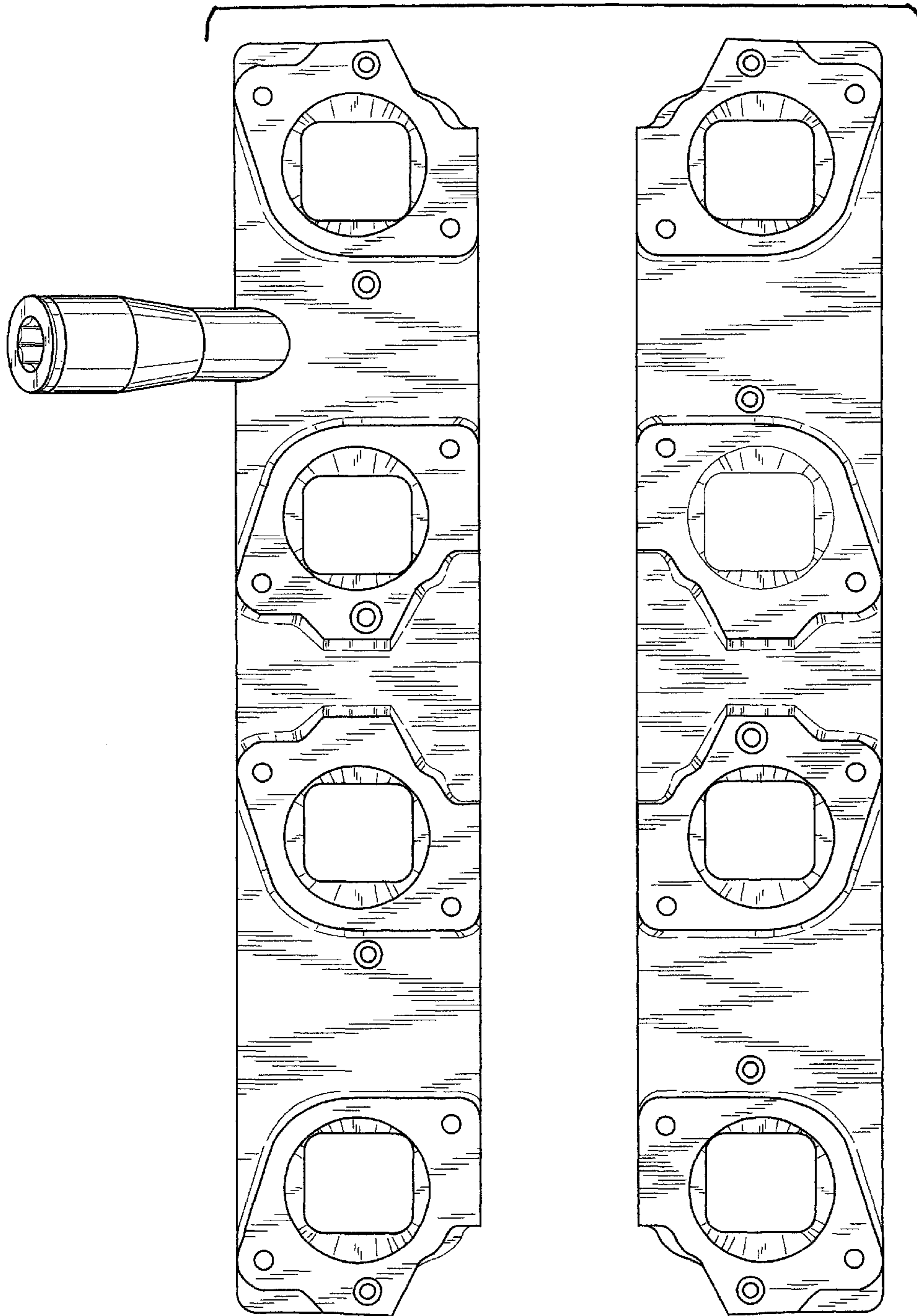


FIG. 4

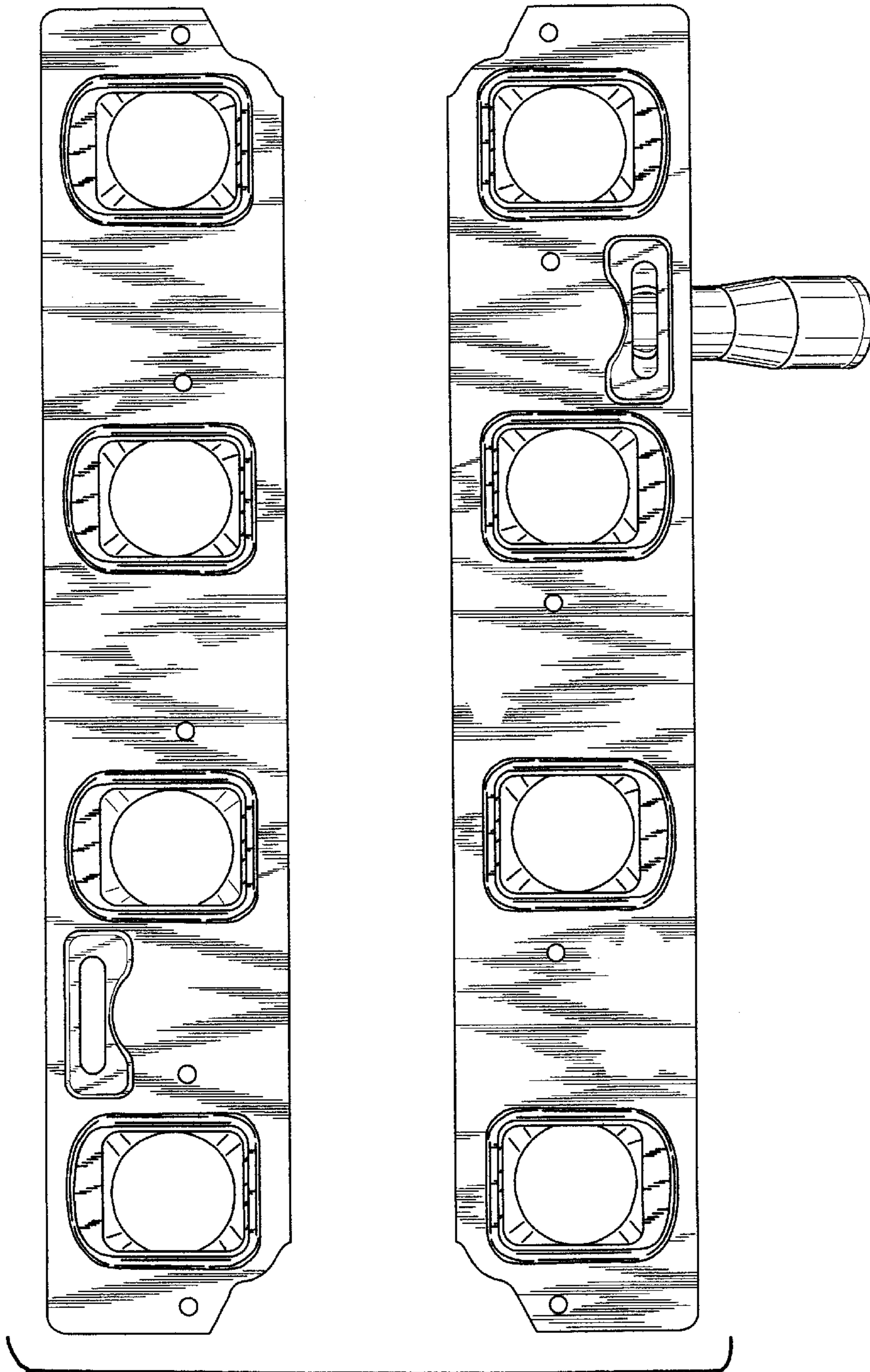


FIG. 5