



US00D533193S

(12) **United States Design Patent**
Cimbura

(10) **Patent No.:** **US D533,193 S**

(45) **Date of Patent:** **** Dec. 5, 2006**

(54) **WIDE BASE FUEL INJECTION HOUSING**

4,197,823 A * 4/1980 Schwartz et al. 123/587

5,501,192 A * 3/1996 Cutler 123/336

6,168,135 B1 * 1/2001 Fochtman 251/129.15

(75) Inventor: **David J. Cimbura**, Denver, CO (US)

(73) Assignee: **Momar Injection Inc.**, Denver, CO (US)

(**) Term: **14 Years**

* cited by examiner

Primary Examiner—Ian Simmons

Assistant Examiner—Maurice Stevens

(74) *Attorney, Agent, or Firm*—Edwin H. Crabtree; Ramon L. Vizarro

(21) Appl. No.: **29/239,636**

(22) Filed: **Sep. 30, 2005**

(51) **LOC (8) Cl.** **15-01**

(52) **U.S. Cl.** **D15/5; D23/233**

(58) **Field of Classification Search** D23/233;
D15/5; 123/587–588, 452, 533, 179.16, 495,
123/432, 366–367, 472, 403, 590, 593, 184.21,
123/184.32, 184.36; 251/129.15

See application file for complete search history.

(57) **CLAIM**

The ornamental design for a wide base fuel injection housing, as shown and described.

DESCRIPTION

FIG. 1 is a front perspective view of the wide base fuel injection housing illustrating my new design;

FIG. 2 is a top view thereof;

FIG. 3 is a front view thereof;

FIG. 4 is an end view thereof;

FIG. 5 is an opposite end view thereof;

FIG. 6 is a bottom view thereof; and,

FIG. 7 is a rear perspective view thereof.

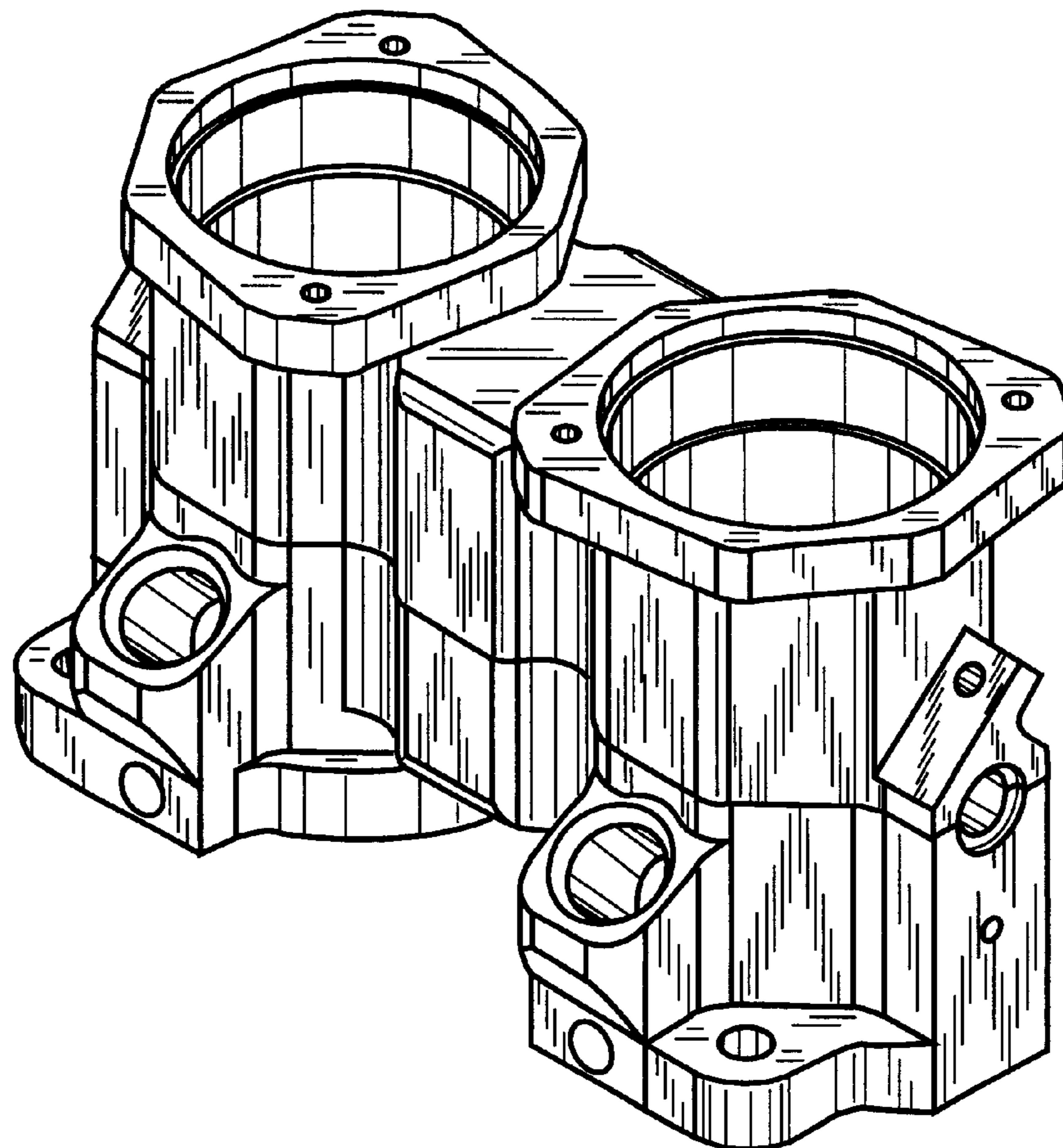
(56) **References Cited**

U.S. PATENT DOCUMENTS

1,499,794 A * 7/1924 Wennerby 123/533

4,064,854 A * 12/1977 Fehrenbach et al. 123/452

1 Claim, 2 Drawing Sheets



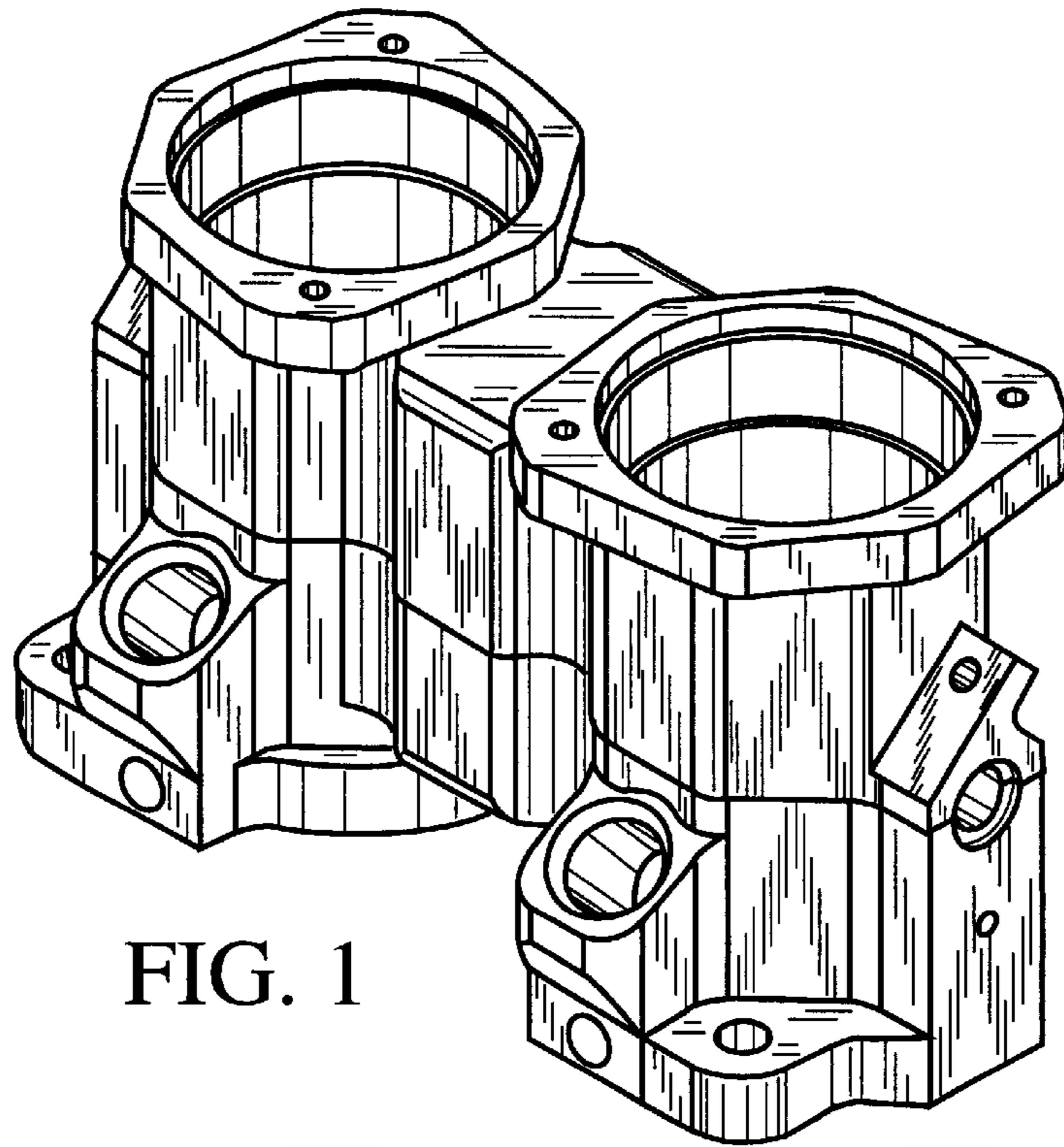


FIG. 1

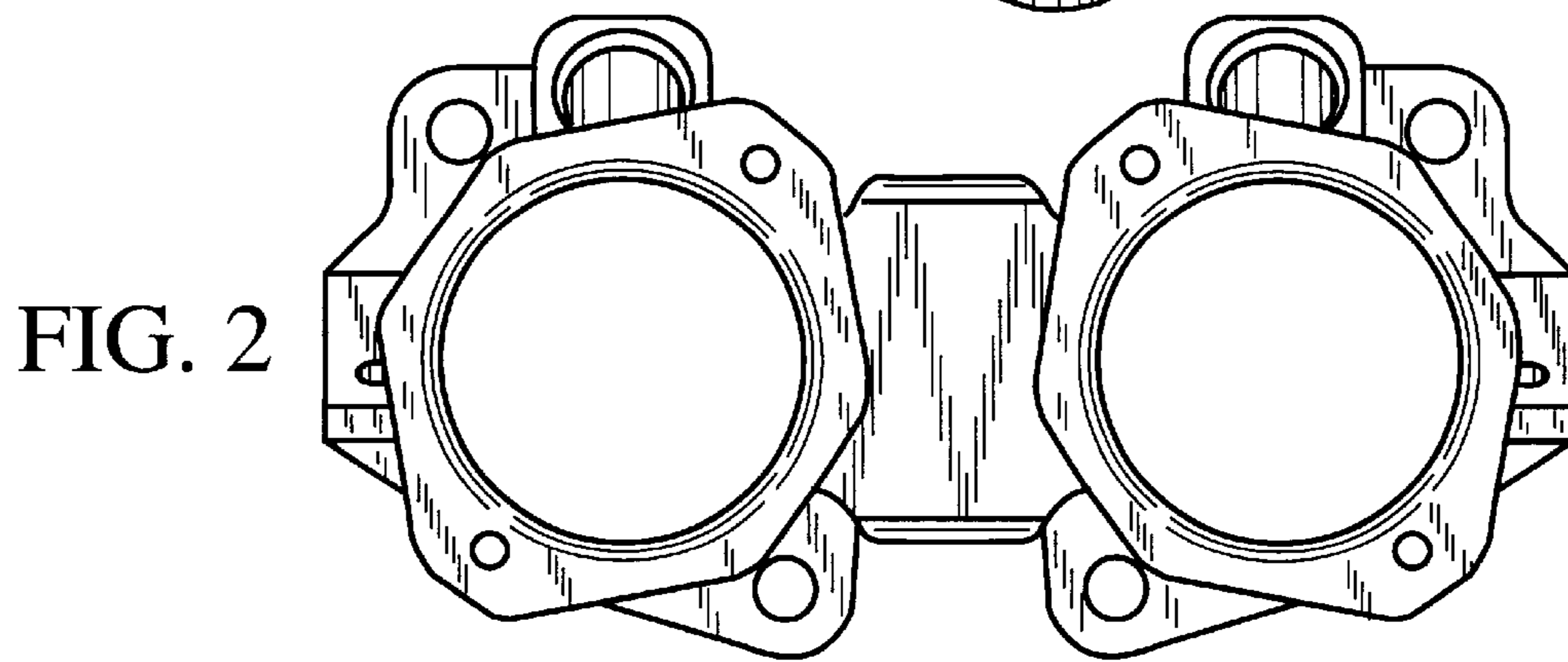


FIG. 2

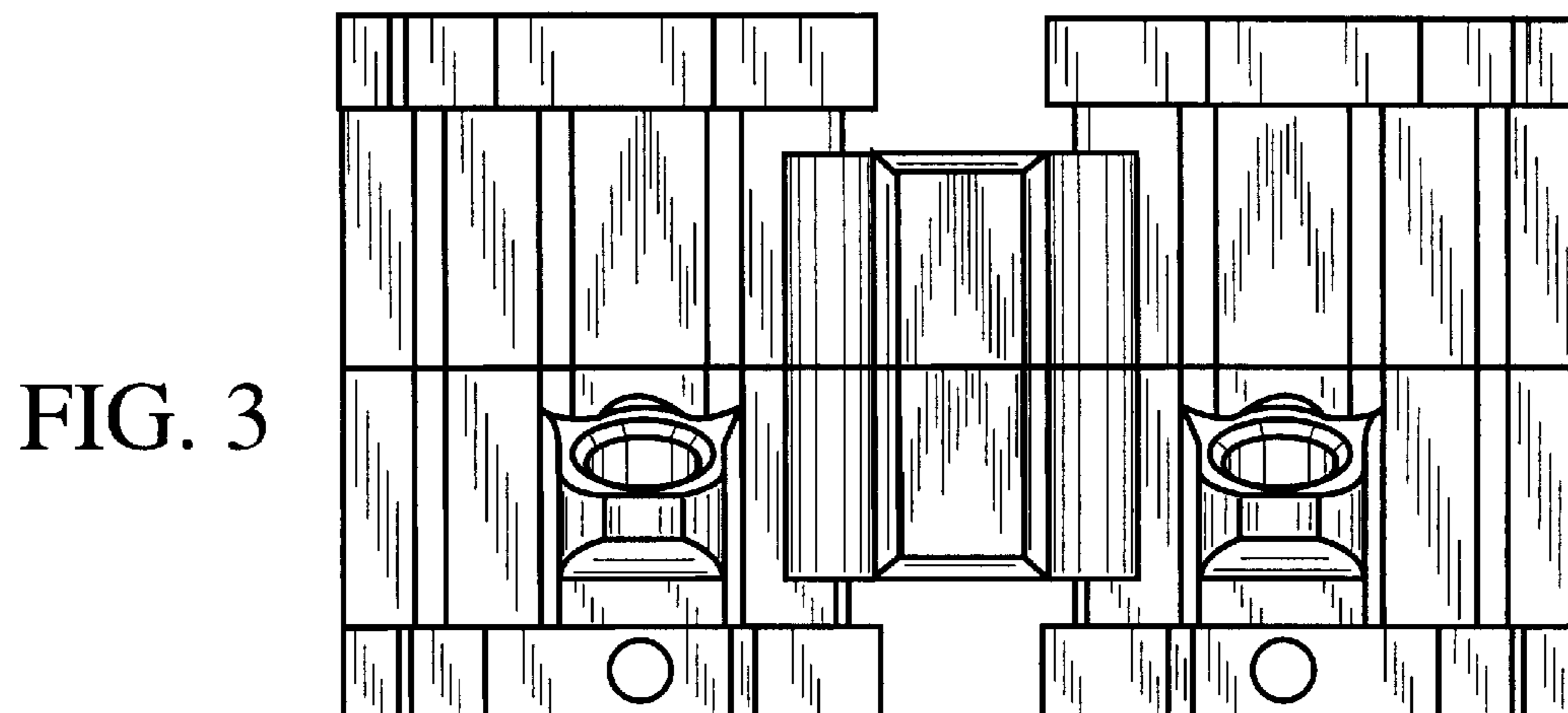


FIG. 3

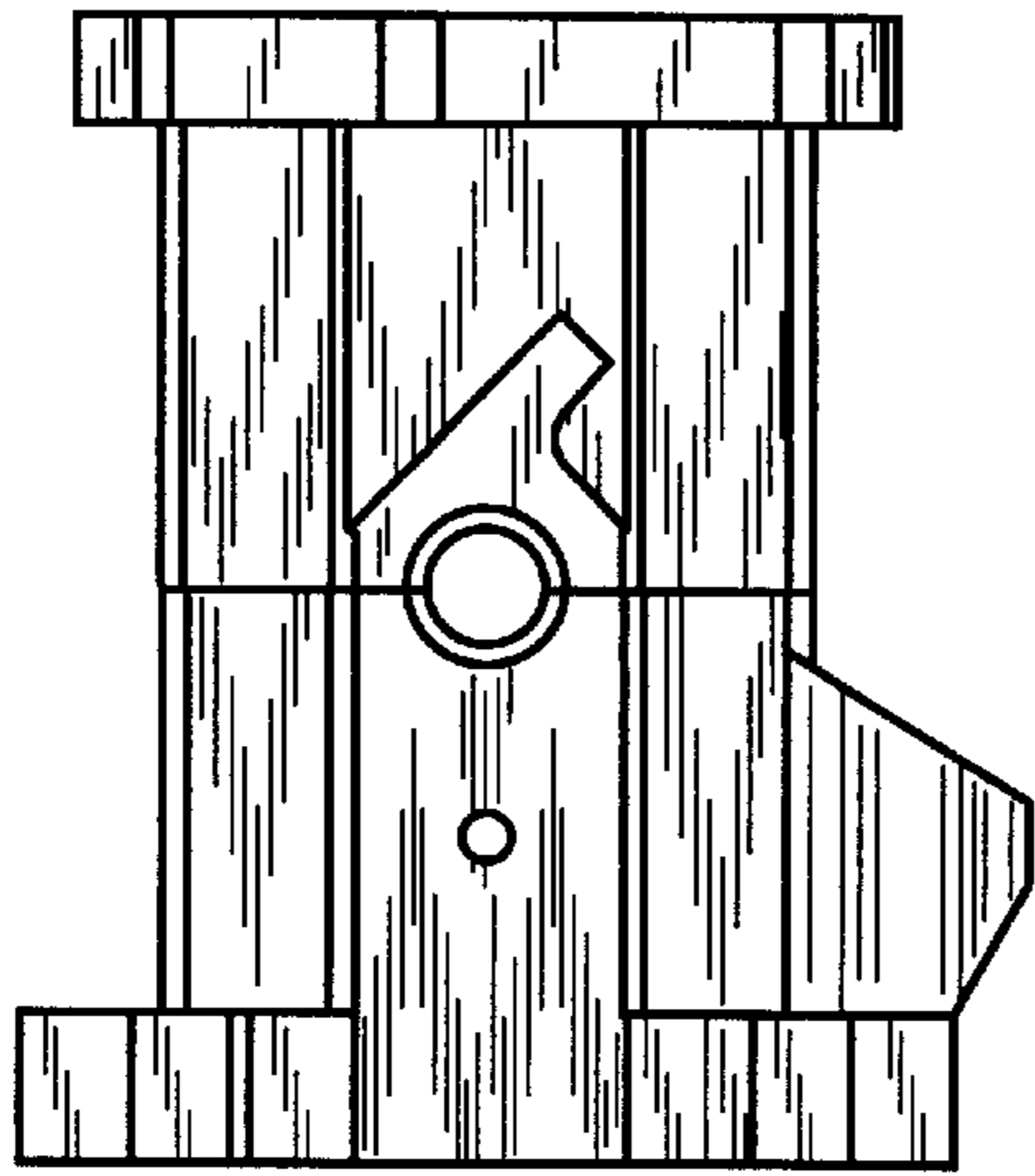


FIG. 4

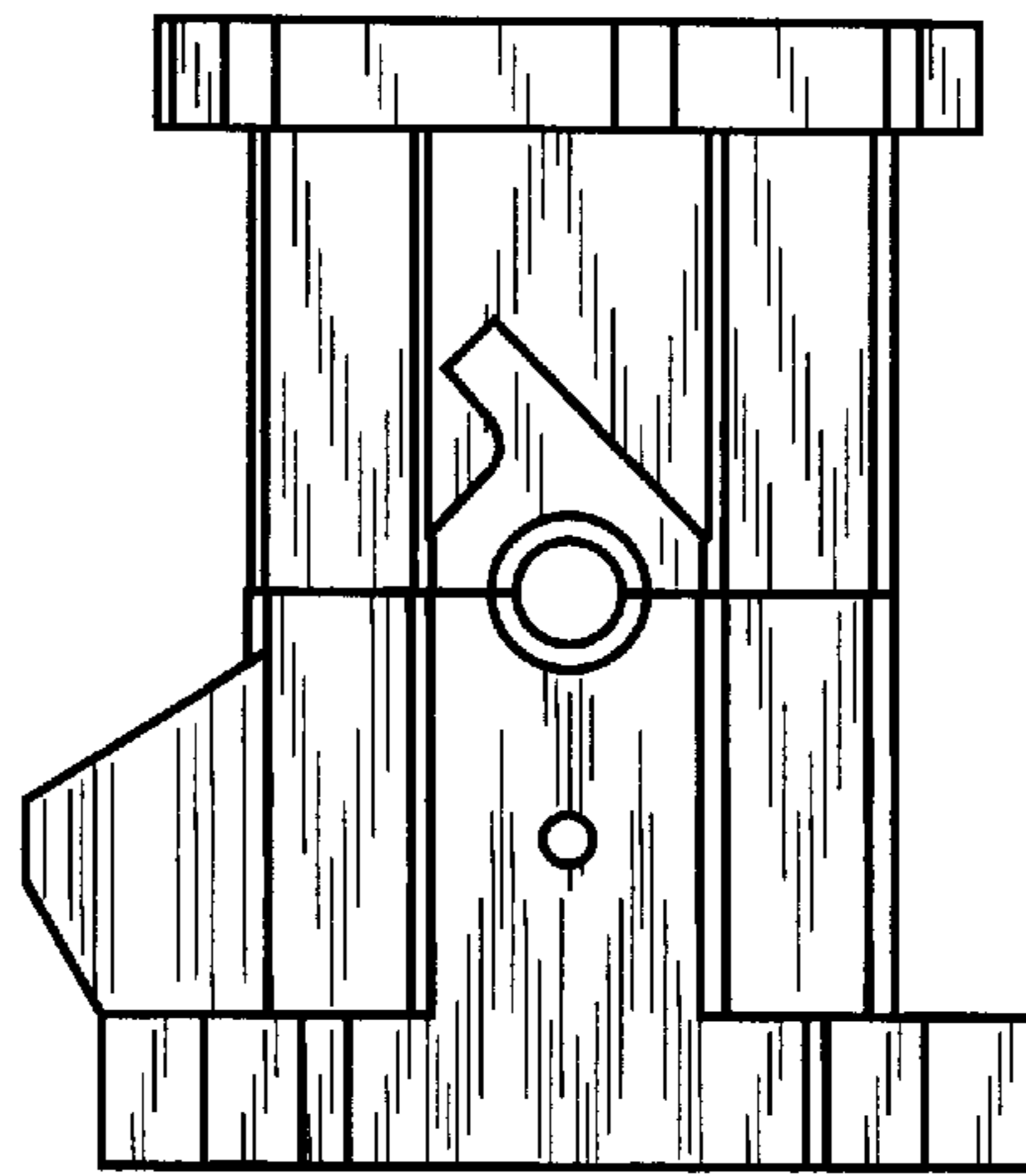


FIG. 5

FIG. 6

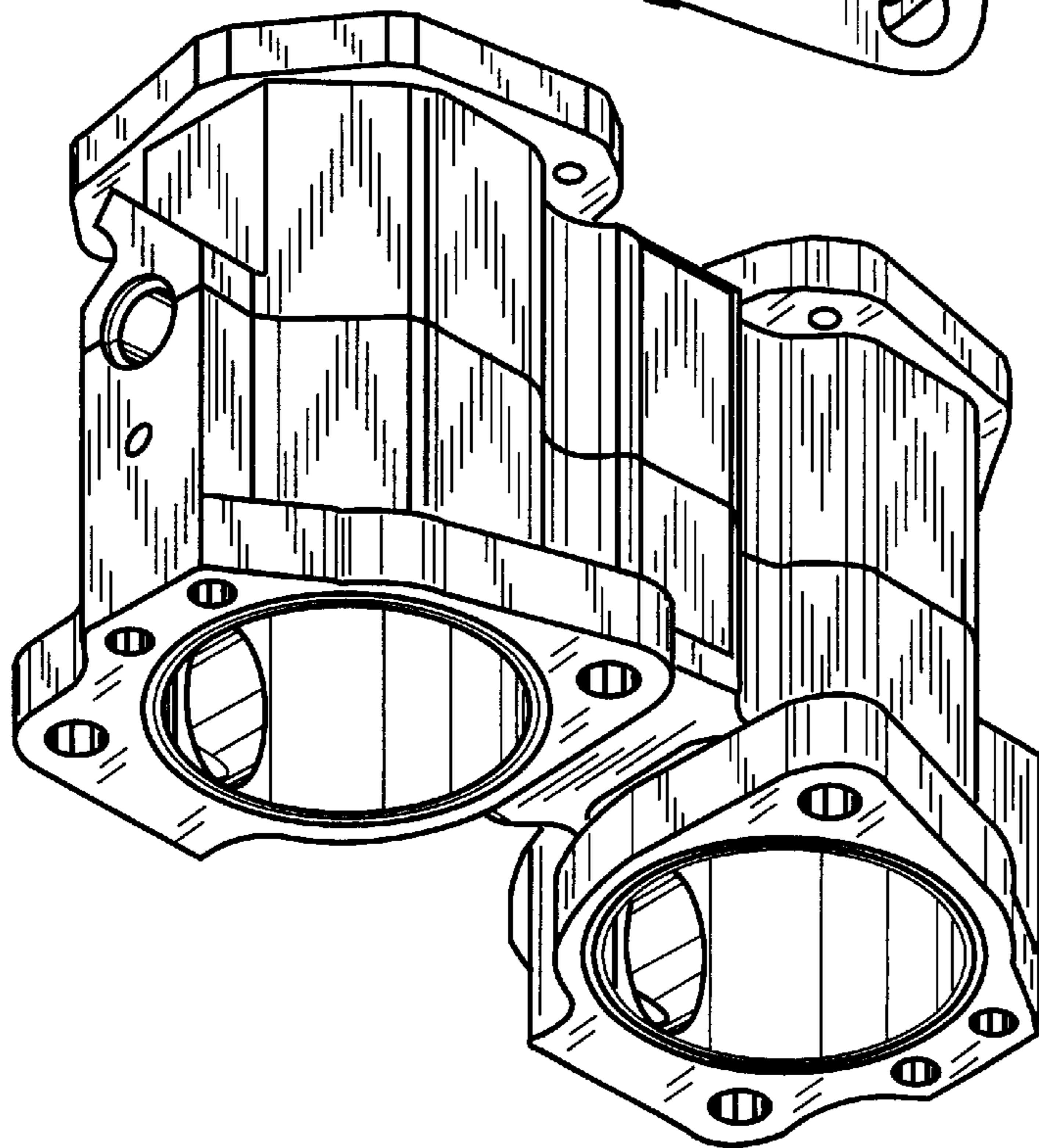
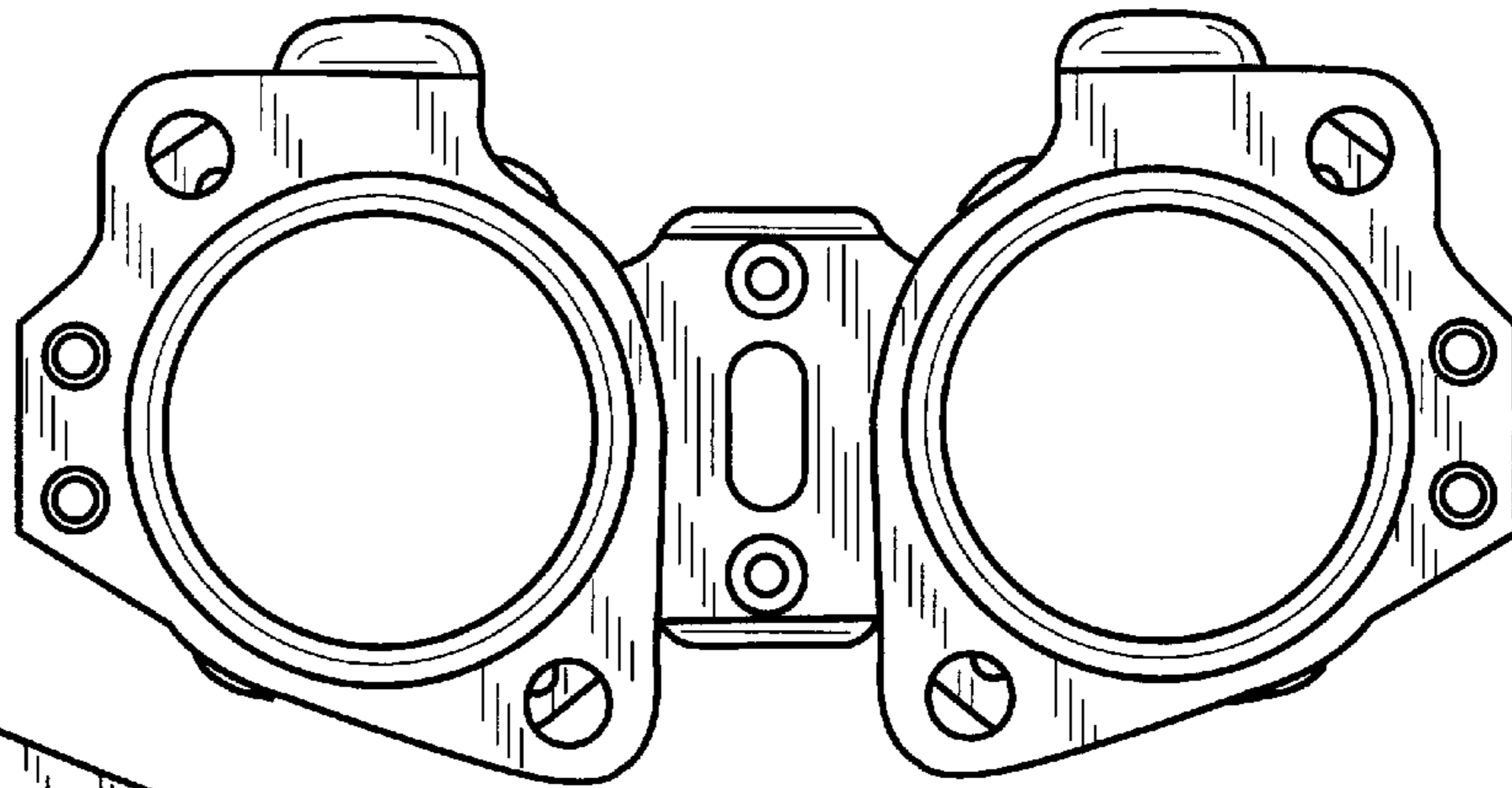


FIG. 7