



US00D533185S

(12) **United States Design Patent**  
**Ishida et al.**

(10) **Patent No.:** **US D533,185 S**  
(45) **Date of Patent:** **\*\* Dec. 5, 2006**

(54) **DIGITAL AUDIO PLAYER**  
(75) Inventors: **Shouichi Ishida**, Osaka-fu (JP);  
**Masayuki Iwata**, Osaka-fu (JP)  
(73) Assignee: **Sanyo Electric Co., Ltd.**, Osaka-fu (JP)  
(\*\*) Term: **14 Years**

6,122,526 A \* 9/2000 Parulski et al. .... 455/556.1  
6,590,303 B1 \* 7/2003 Austin et al. .... 307/119  
D481,702 S \* 11/2003 Takagi ..... D14/156  
D490,068 S \* 5/2004 Chen ..... D14/156  
D505,130 S \* 5/2005 Yuyama ..... D14/168  
D507,277 S \* 7/2005 Sitoh ..... D14/496  
D515,545 S \* 2/2006 Griffin ..... D14/155  
7,000,273 B1 \* 2/2006 Rivera-Wienhold et al. ... 5/632

(21) Appl. No.: **29/234,548**  
(22) Filed: **Jul. 19, 2005**

FOREIGN PATENT DOCUMENTS

JP 1116954 6/2001

\* cited by examiner

(30) **Foreign Application Priority Data**

Jan. 20, 2005 (JP) ..... 2005-001393

*Primary Examiner*—Prabhakar Deshmukh  
(74) *Attorney, Agent, or Firm*—Weingarten, Schurgin,  
Gagnebin & Lebovici LLP

(51) **LOC (8) Cl.** ..... **14-03**  
(52) **U.S. Cl.** ..... **D14/496; D9/521; D9/574**  
(58) **Field of Classification Search** ..... D14/496,  
D14/137, 138, 155, 156, 160, 168, 173, 188,  
D14/265; 455/3.01, 3.06, 90.1–90.3, 347–351;  
369/6–12, 75.11; 345/156, 1.1, 903, 905;  
340/539.11, 825.25; 710/1, 8, 62–68, 72–74;  
D3/202; D9/521, 574  
See application file for complete search history.

(57) **CLAIM**

The ornamental design for digital audio player, as shown.

(56) **References Cited**

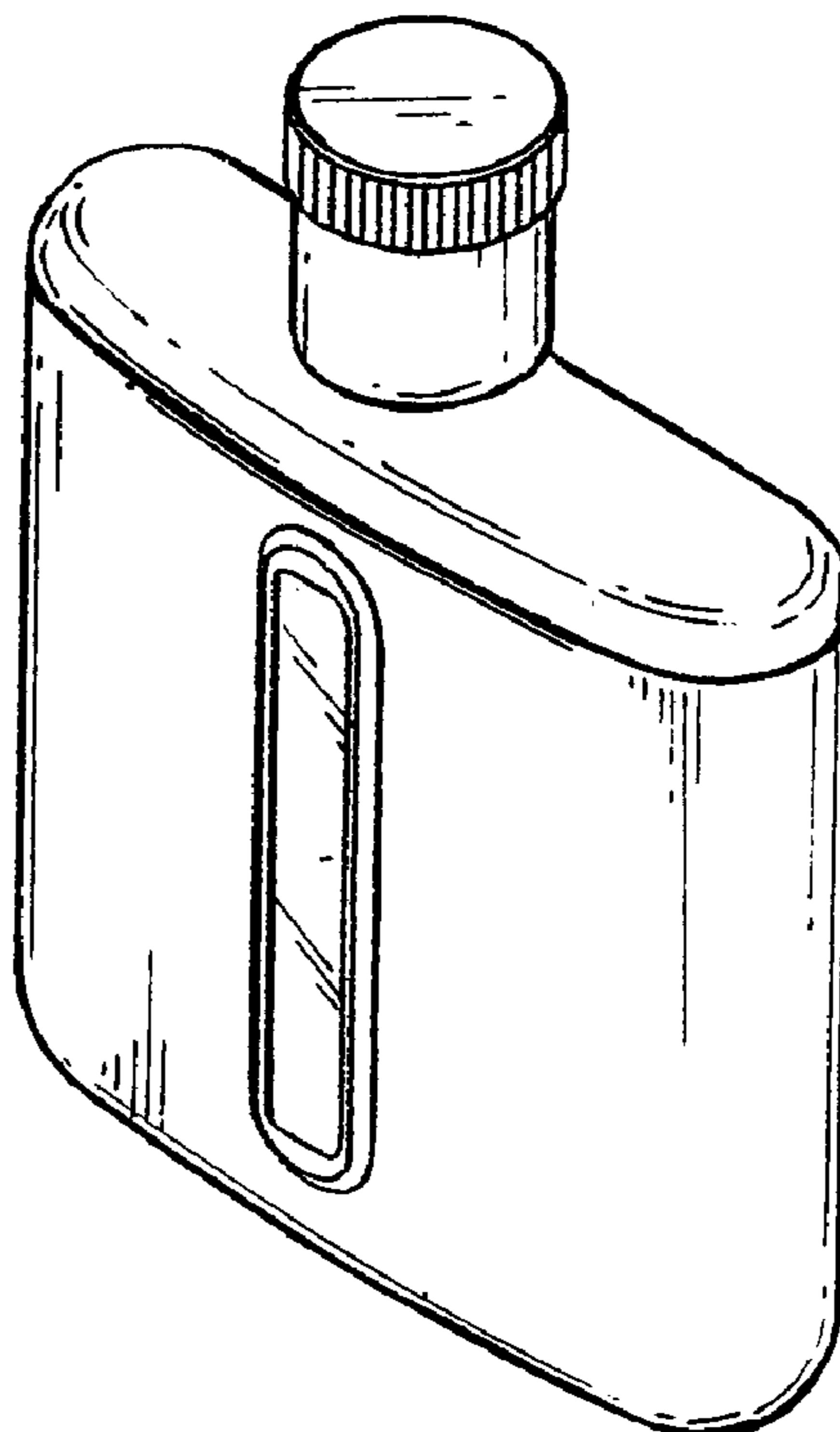
U.S. PATENT DOCUMENTS

D87,968 S \* 10/1932 Lewis ..... D9/719  
3,843,032 A \* 10/1974 Moran et al. .... 224/148.7  
D373,207 S \* 8/1996 Yuen ..... D26/38  
6,092,694 A \* 7/2000 Sadow ..... 222/78

**DESCRIPTION**

FIG. 1 is a perspective view thereof looking from the right-side upper direction of digital audio player; FIG. 2 is a front view thereof; FIG. 3 is a right-side view thereof; FIG. 4 is a left-side view thereof; FIG. 5 is a top view thereof; FIG. 6 is a bottom view thereof; FIG. 7 is a rear view thereof; and, FIG. 8 is an exploded perspective view thereof.

**1 Claim, 4 Drawing Sheets**



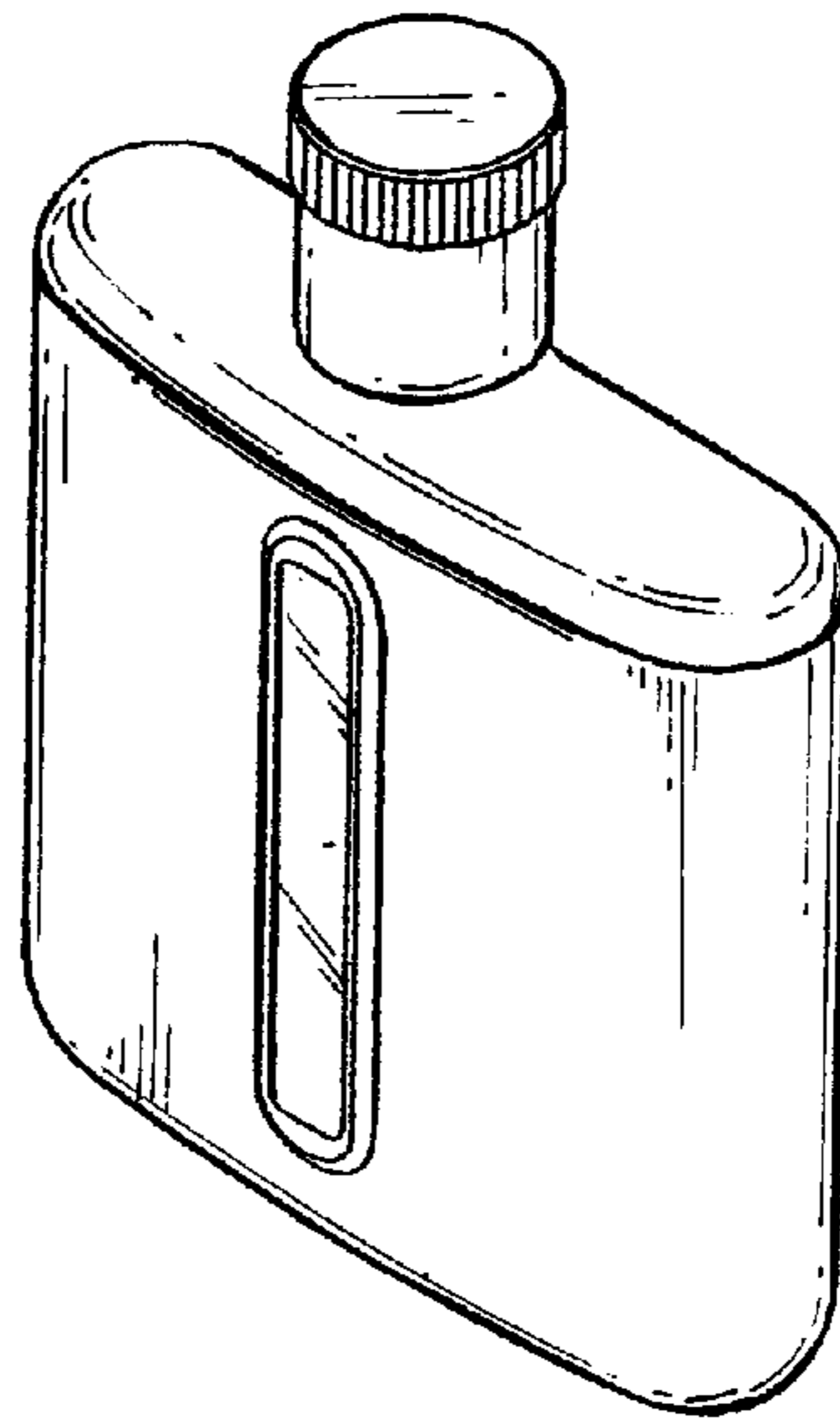


FIG. 1

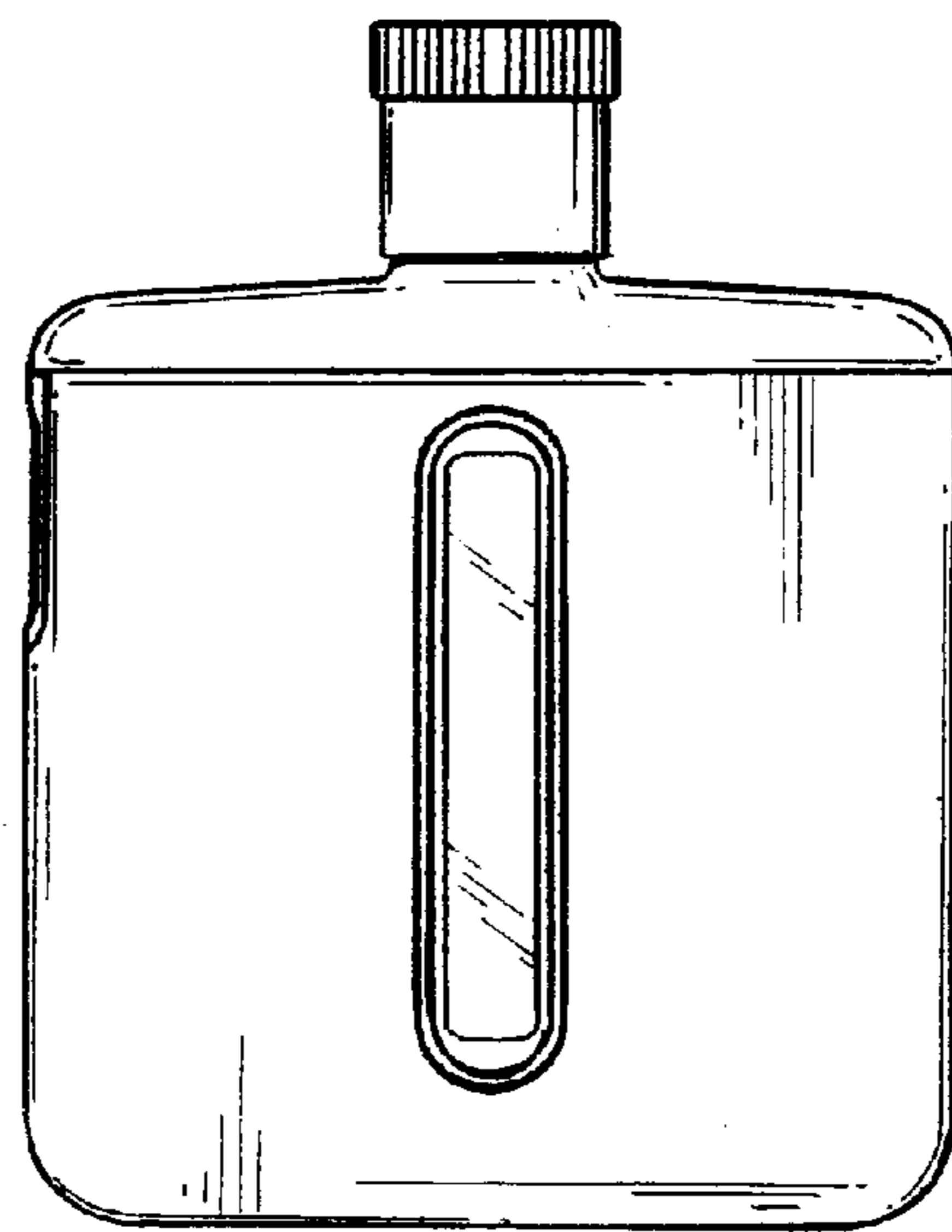


FIG. 2

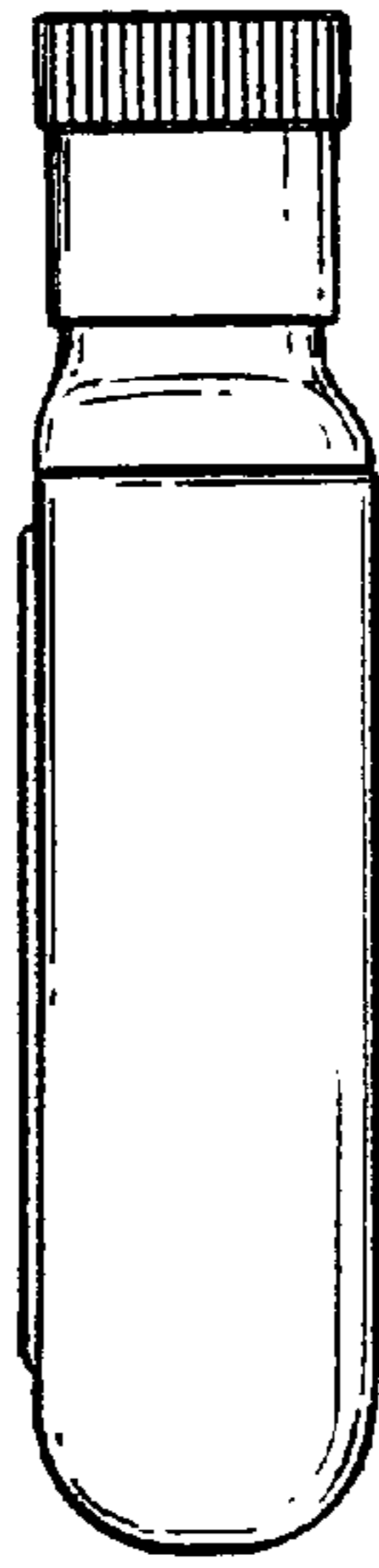


FIG. 3

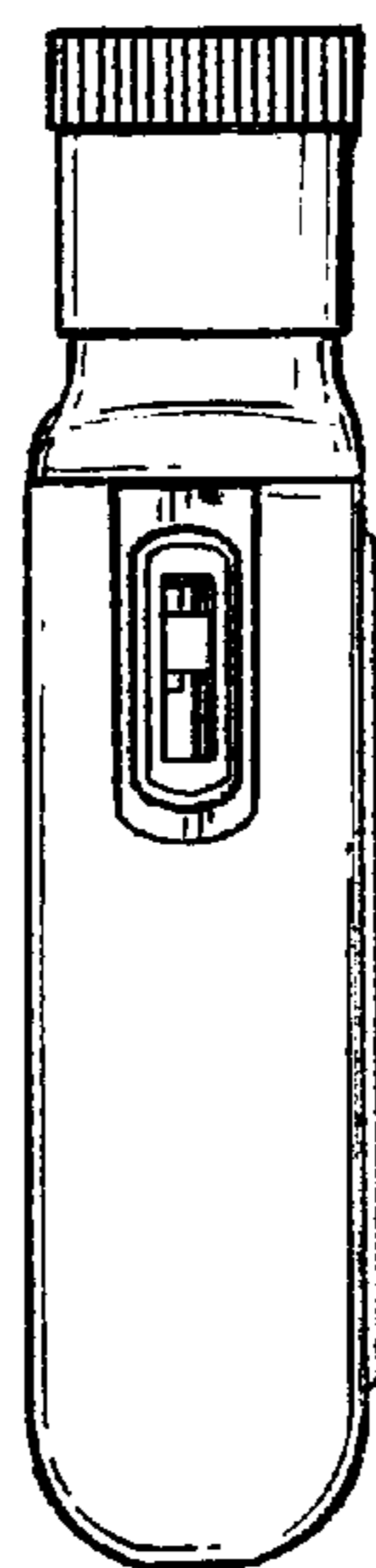


FIG. 4

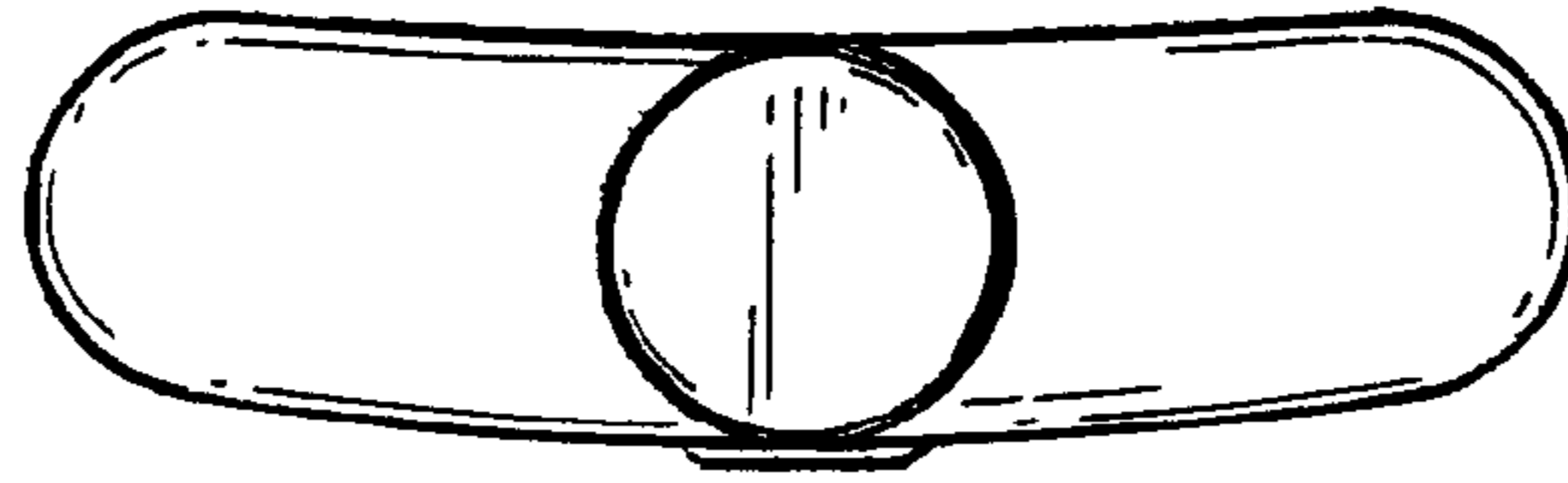


FIG. 5

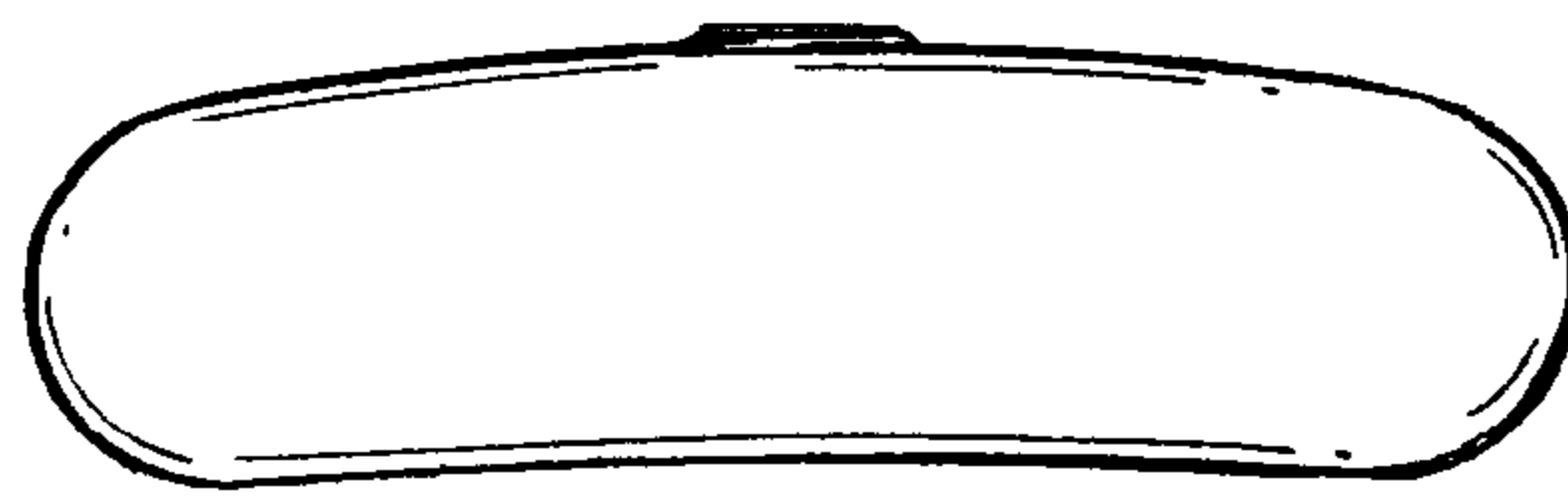


FIG. 6

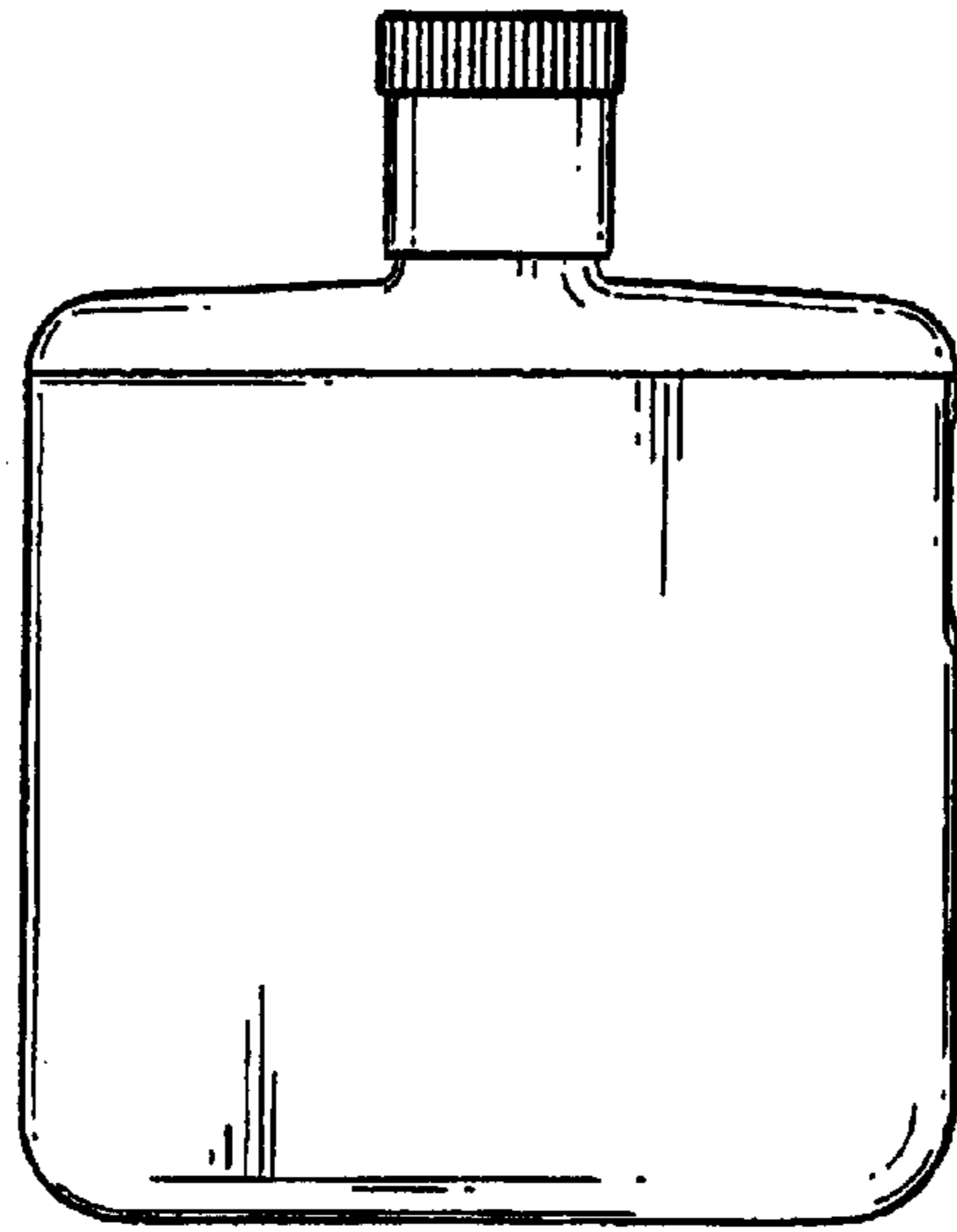


FIG. 7

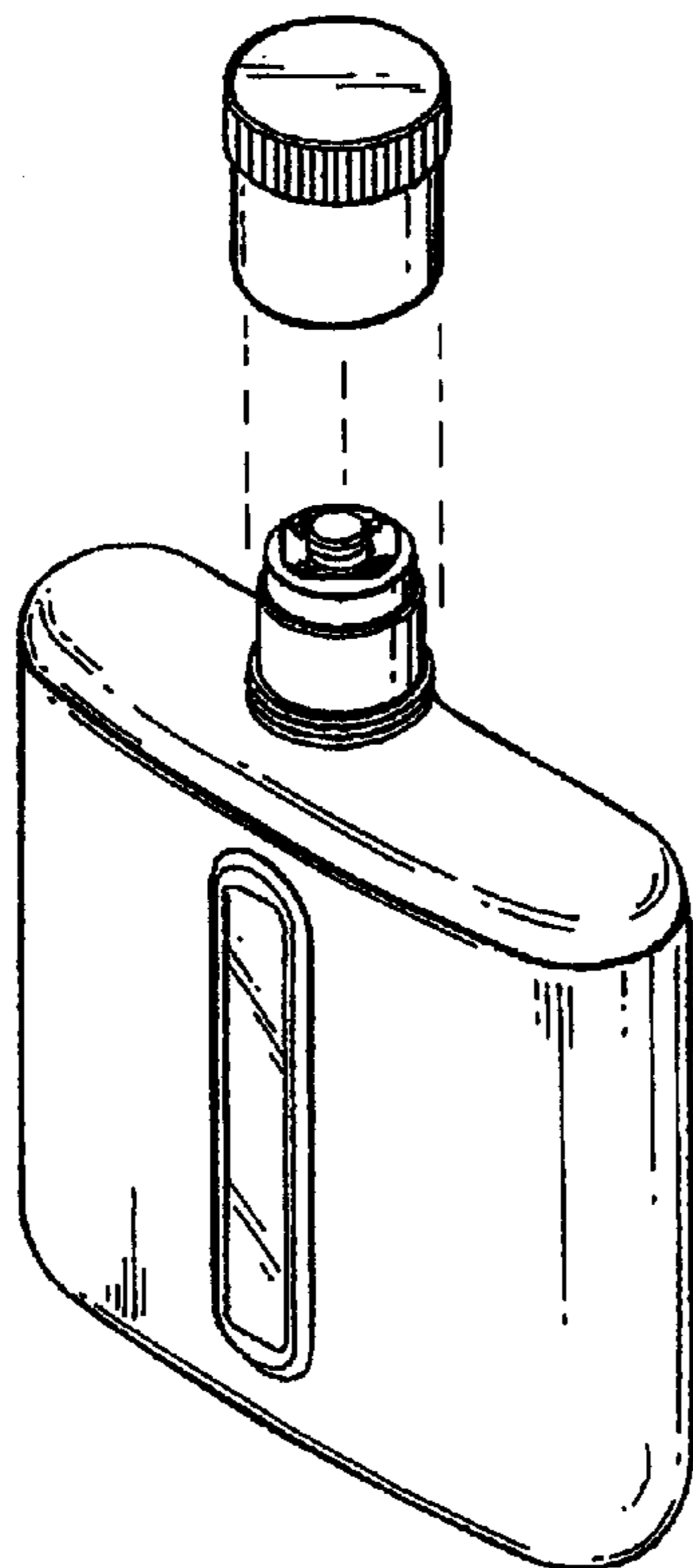


FIG. 8

UNITED STATES PATENT AND TRADEMARK OFFICE  
**CERTIFICATE OF CORRECTION**

PATENT NO. : Des. 533,185 S  
APPLICATION NO. : 29/234548  
DATED : December 5, 2006  
INVENTOR(S) : Shouichi Ishida et al.

Page 1 of 1

It is certified that error appears in the above-identified patent and that said Letters Patent is hereby corrected as shown below:

Title Page, Claim, "for digital" should read --for a digital--.

Signed and Sealed this

Twenty-third Day of October, 2007

A handwritten signature in black ink on a light gray dotted background. The signature reads "Jon W. Dudas" in a cursive style.

JON W. DUDAS

*Director of the United States Patent and Trademark Office*