



US00D533179S

(12) **United States Design Patent** (10) **Patent No.:** **US D533,179 S**
Milstein et al. (45) **Date of Patent:** **** Dec. 5, 2006**

(54) **CROSS USB DRIVE**
(75) Inventors: **Scott Milstein**, New York, NY (US);
Jenny Wong, New York, NY (US)
(73) Assignee: **Sourcery**, New York, NY (US)
(**) Term: **14 Years**
(21) Appl. No.: **29/238,477**
(22) Filed: **Sep. 16, 2005**
(51) **LOC (8) Cl.** **14-02**
(52) **U.S. Cl.** **D14/435**
(58) **Field of Classification Search** D14/356,
D14/242, 433-436; 360/97.01; 361/685,
361/686, 752, 737; 439/135, 144, 139-141,
439/147, 136, 638, 518; 365/51, 63, 131;
710/52, 300; D99/27, 25, 23, 37; D11/141,
D11/96, 125, 122, 131, 157, 121; 52/648.1,
52/638, 653.1; 428/3; 362/362, 121; D10/109;
206/19

See application file for complete search history.

(56) **References Cited**

U.S. PATENT DOCUMENTS

| | | | | | |
|-------------|---|---------|---------------|-------|---------|
| D1,570 S | * | 4/1862 | Makin | | D99/27 |
| 2,036,616 A | * | 4/1936 | Asch | | 313/312 |
| 2,095,648 A | * | 10/1937 | Oftedahl | | 362/311 |
| 2,114,194 A | * | 4/1938 | Sadacca | | 362/362 |
| D115,152 S | * | 6/1939 | Richardson | | D99/37 |
| D115,265 S | * | 6/1939 | Itton | | D11/96 |
| 2,246,122 A | * | 6/1941 | Brennan | | 428/3 |
| D137,421 S | * | 3/1944 | Rasmussen | | D99/23 |
| 2,712,191 A | * | 7/1955 | Hillenbrand | | 428/3 |
| D186,128 S | * | 9/1959 | Franzone | | D26/73 |
| D259,773 S | * | 7/1981 | Sweet | | D11/141 |
| D293,028 S | * | 12/1987 | Yother et al. | | D26/51 |
| D299,779 S | | 2/1989 | Kohen et al. | | |
| D300,079 S | * | 2/1989 | Smith | | D99/27 |
| D338,315 S | * | 8/1993 | Larson | | D99/27 |
| D338,633 S | * | 8/1993 | Andre | | D11/96 |

| | | | | | |
|--------------|---|---------|---------------|-------|----------|
| D370,282 S | * | 5/1996 | Grether | | D26/4 |
| 5,693,380 A | * | 12/1997 | O'Connell | | 428/3 |
| D410,401 S | * | 6/1999 | Fowler | | D10/109 |
| D417,834 S | * | 12/1999 | Rompel | | D8/348 |
| D429,351 S | * | 8/2000 | Grether | | D26/25 |
| D440,225 S | * | 4/2001 | Dias et al. | | D14/403 |
| D440,734 S | * | 4/2001 | Berry | | D99/23 |
| D445,622 S | * | 7/2001 | Fenichel | | D6/597 |
| D455,672 S | * | 4/2002 | Knezevich | | D11/96 |
| 6,945,003 B1 | * | 9/2005 | Berry | | 52/648.1 |
| D521,995 S | | 5/2006 | Mehler et al. | | |

* cited by examiner

Primary Examiner—Alan P. Douglas
Assistant Examiner—Susan Moon Lee
(74) *Attorney, Agent, or Firm*—Wolf Block Schorr & Solis-Cohen LLP

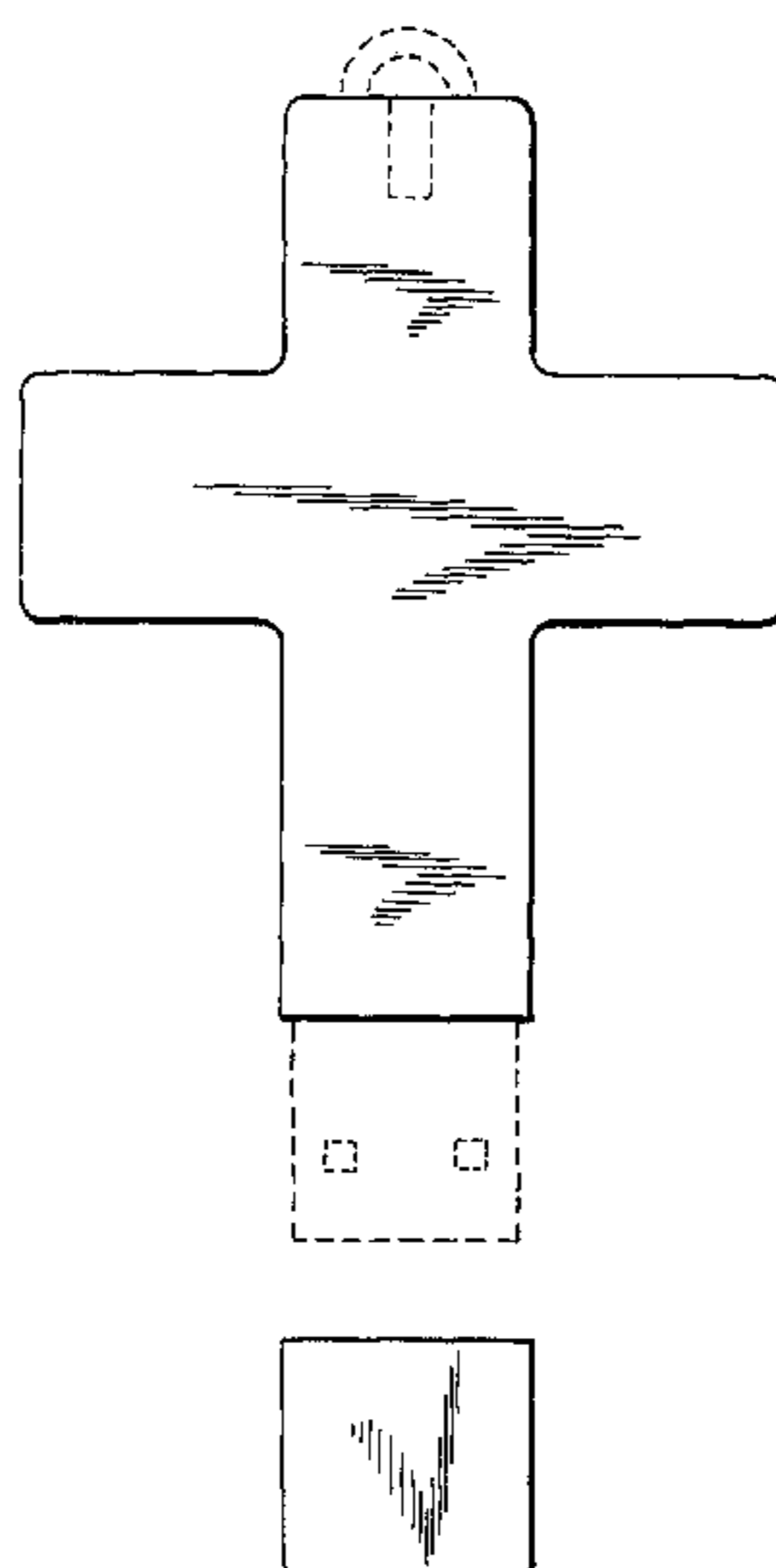
(57) **CLAIM**

We claim the ornamental design for a cross USB drive, as shown and described.

DESCRIPTION

FIG. 1 illustrates a perspective view of a cross USB drive of the present invention;
FIG. 2 illustrates a front view of the cross USB drive of the present invention;
FIG. 3 illustrates a top view of the cross USB drive of the present invention;
FIG. 4 illustrates a left side view of the cross USB drive of the present invention, the right side view thereof being the same as the left side view;
FIG. 5 illustrates a bottom view of the cross USB drive of the present invention;
FIG. 6 illustrates a rear view of the cross USB drive of the present invention; and,
FIG. 7 illustrates a front view of the cross USB drive of the present invention showing the cap removed.
The broken lines of FIGS. 1-7 are for illustrative purposes only and form no part of the claimed design.

1 Claim, 5 Drawing Sheets



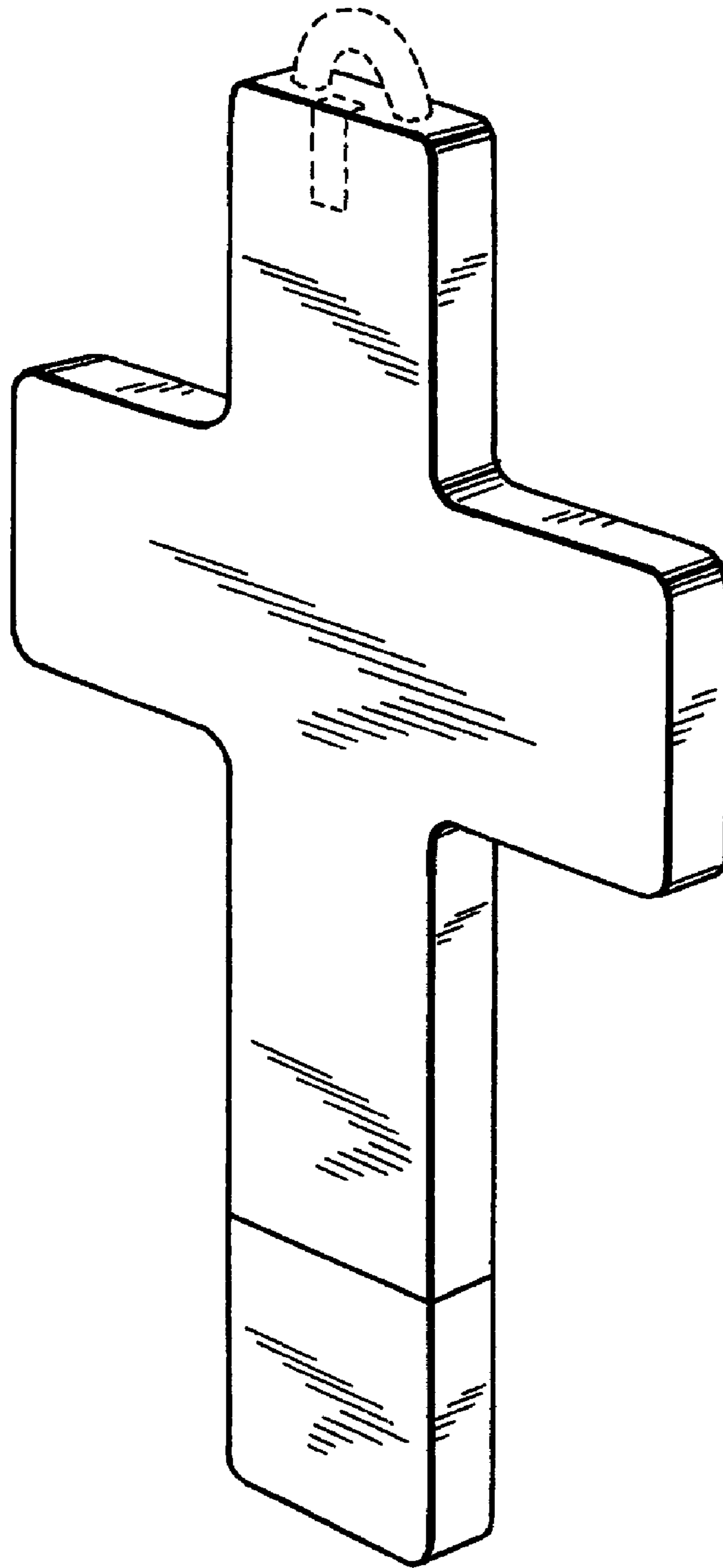


FIG. 1

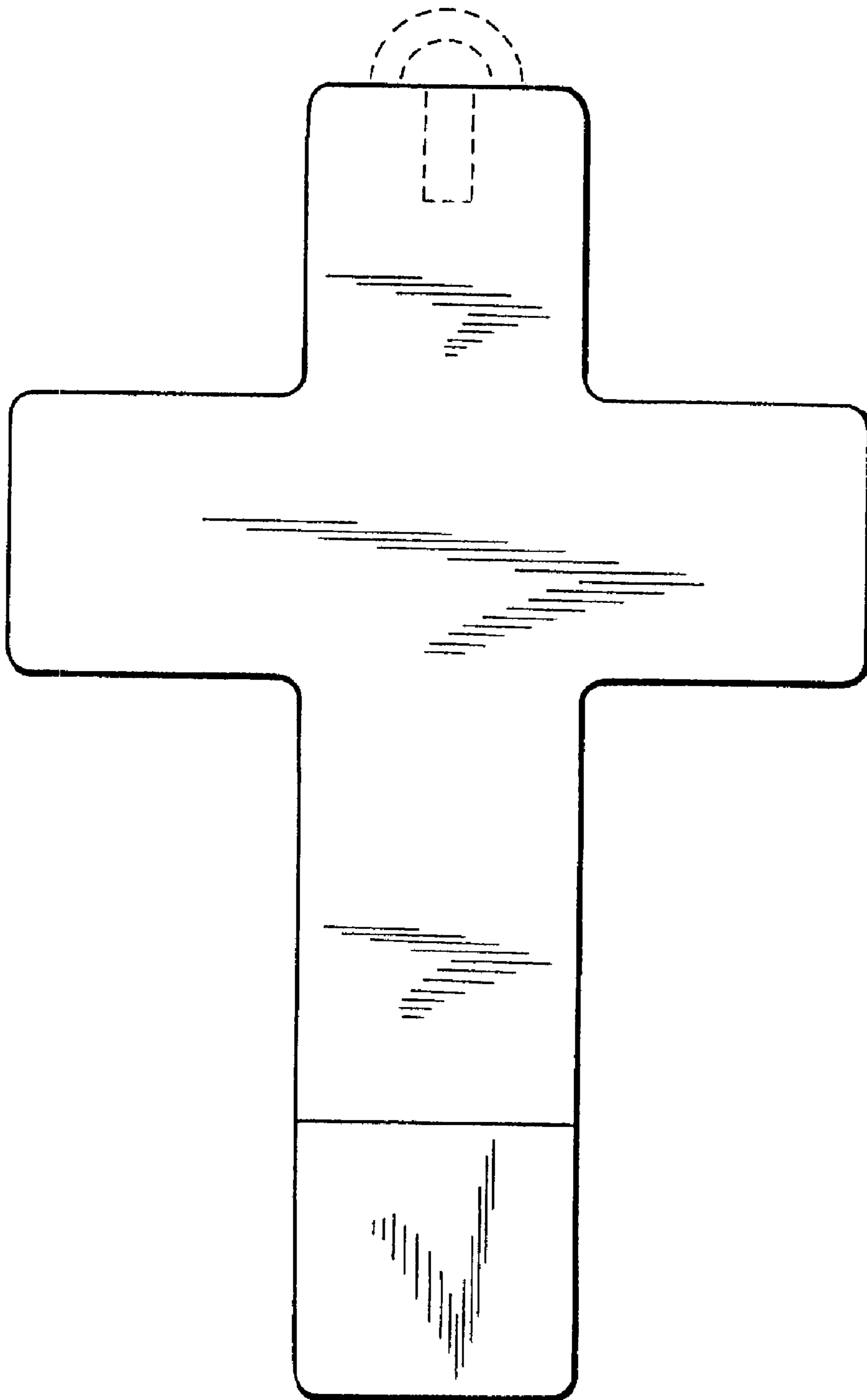


FIG.2

FIG.3

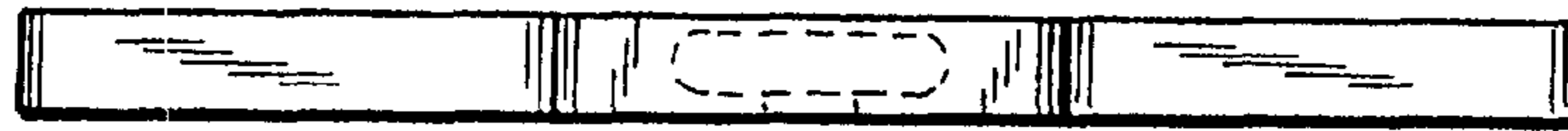


FIG.4



FIG.5

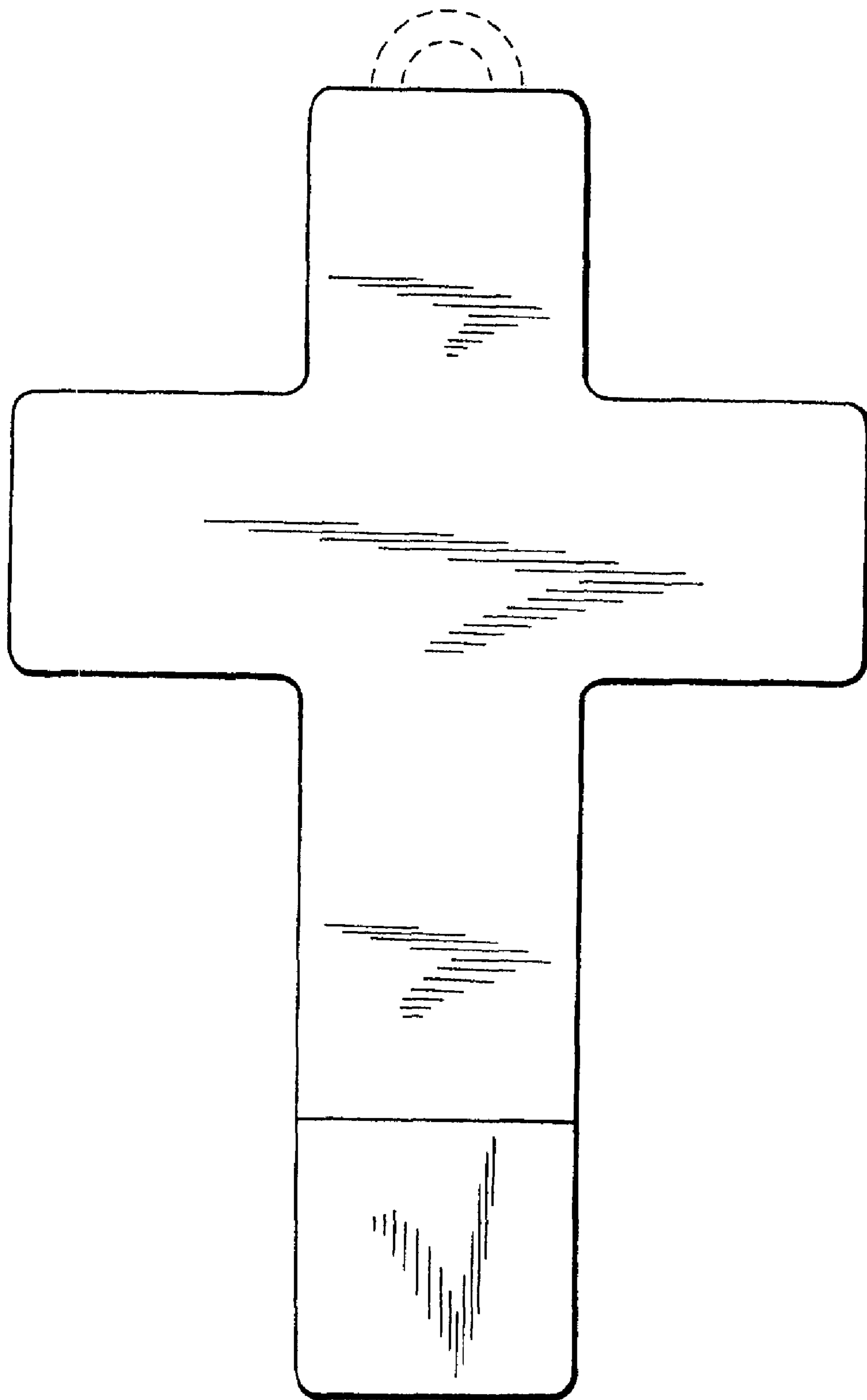


FIG. 6

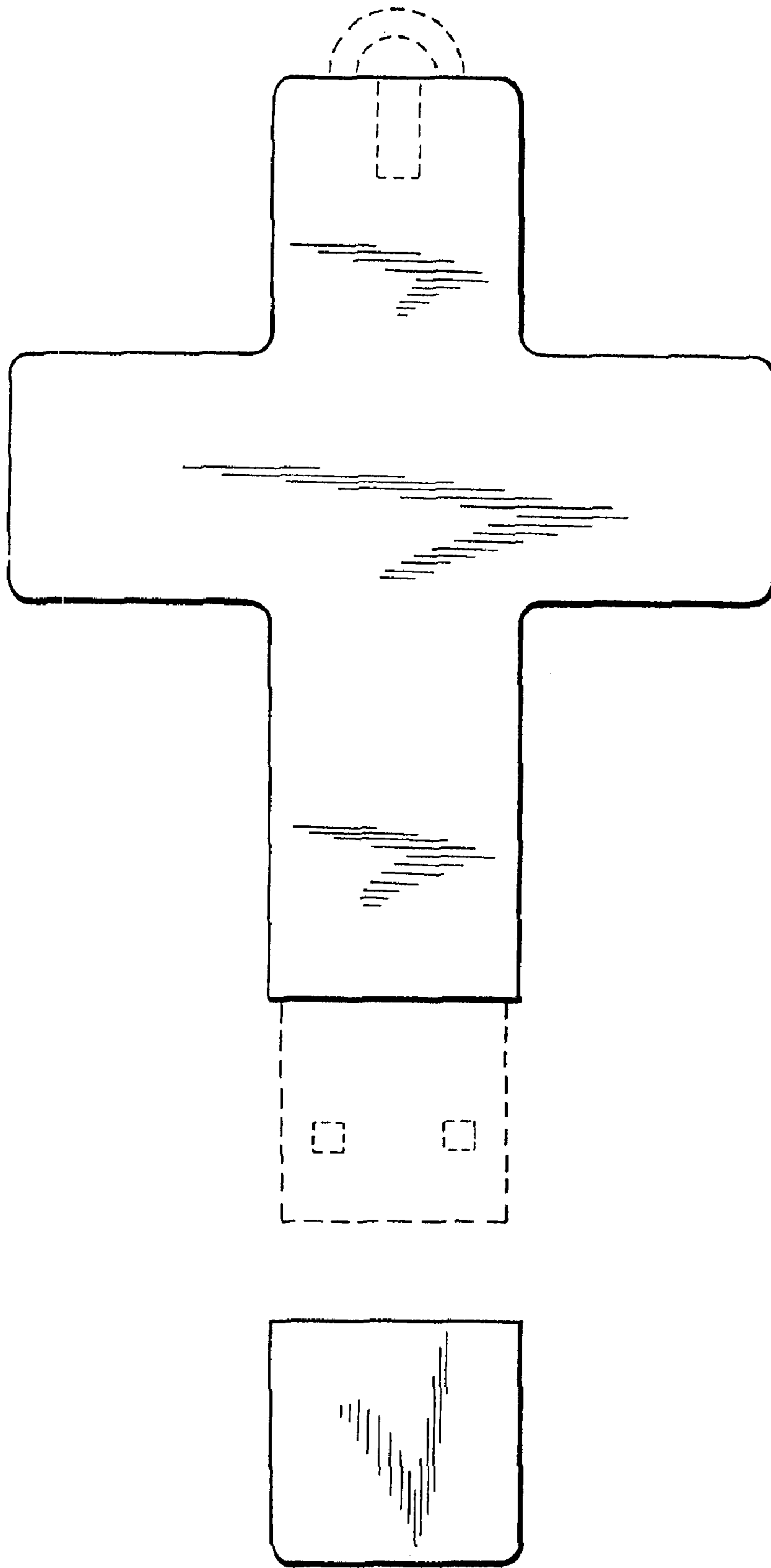


FIG.7