



US00D533173S

(12) **United States Design Patent**
Lee et al.

(10) **Patent No.: US D533,173 S**
(45) **Date of Patent: ** Dec. 5, 2006**

(54) **CHARACTER INPUT DEVICE FOR A MOBILE PHONE**

(75) Inventors: **Woo-Seok Lee**, Gunpo-si (KR);
Beom-Ku Han, Seoul (KR);
Jong-Seong Lee, Seoul (KR)

(73) Assignee: **Samsung Electronics Co., Ltd.**,
Suwon-Si (KR)

(**) Term: **14 Years**

(21) Appl. No.: **29/233,901**

(22) Filed: **Jul. 12, 2005**

(30) **Foreign Application Priority Data**

Jan. 14, 2005 (KR) 30-2005-0001122

(51) **LOC (8) Cl.** **14-03**

(52) **U.S. Cl.** **D14/247; D14/399**

(58) **Field of Classification Search** D14/138,
D14/341, 247-248, 345-346, 392-394, 391,
D14/399, 396-397; 345/169; 379/433.07;
400/100; D18/7, 19, 52, 54, 56
See application file for complete search history.

(56) **References Cited**

U.S. PATENT DOCUMENTS

- D289,045 S * 3/1987 Brown D14/247
- D313,413 S * 1/1991 Langton D14/138
- D345,158 S * 3/1994 Namba et al. D14/138
- D478,585 S * 8/2003 Griffin D14/346
- D481,368 S * 10/2003 Helin D14/138
- D484,878 S * 1/2004 Wightman et al. D14/346

D485,838 S * 1/2004 Wilson et al. D14/346

* cited by examiner

Primary Examiner—Ian Simmons
Assistant Examiner—Carla Jobe Wright
(74) *Attorney, Agent, or Firm*—Staas & Halsey LLP

(57) **CLAIM**

The ornamental design for a character input device for a mobile phone, as shown and described.

DESCRIPTION

FIG. 1 is a perspective view of a character input device for a mobile phone;
FIG. 2 is a front view of the character input device of FIG. 1;
FIG. 3 is a rear view of the character input device of FIG. 1;
FIG. 4 is a left side view of the character input device of FIG. 1;
FIG. 5 is a right side view of the character input device of FIG. 1;
FIG. 6 is a top plan view of the character input device of FIG. 1;
FIG. 7 is a bottom plan view of the character input device of FIG. 1; and,
FIG. 8 is a perspective view of the character input device of FIG. 1.

The broken line showing of the mobile phone in FIG. 8 is for illustrative purposes only and forms no part of the claimed design.

1 Claim, 4 Drawing Sheets

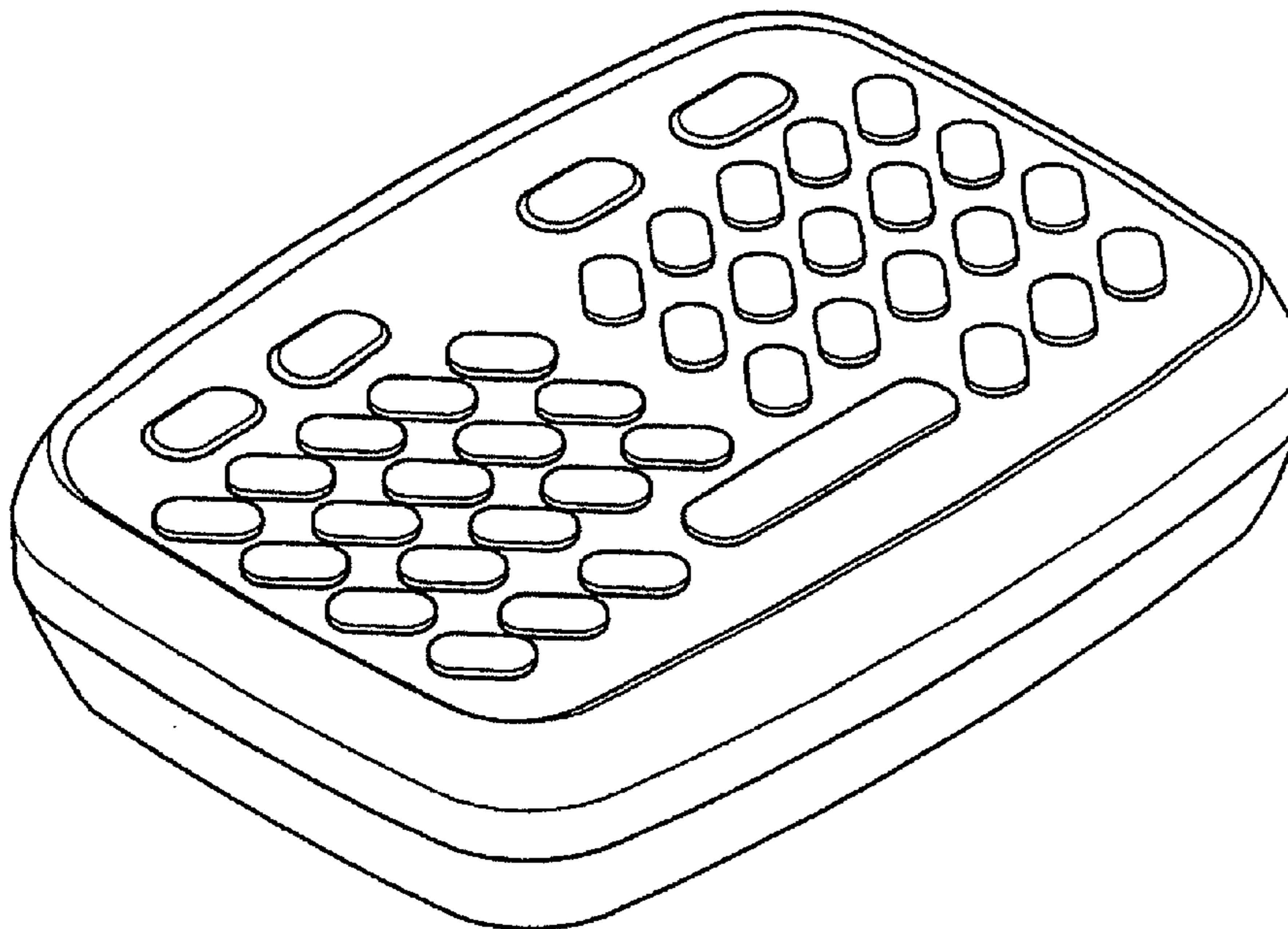


FIG. 1

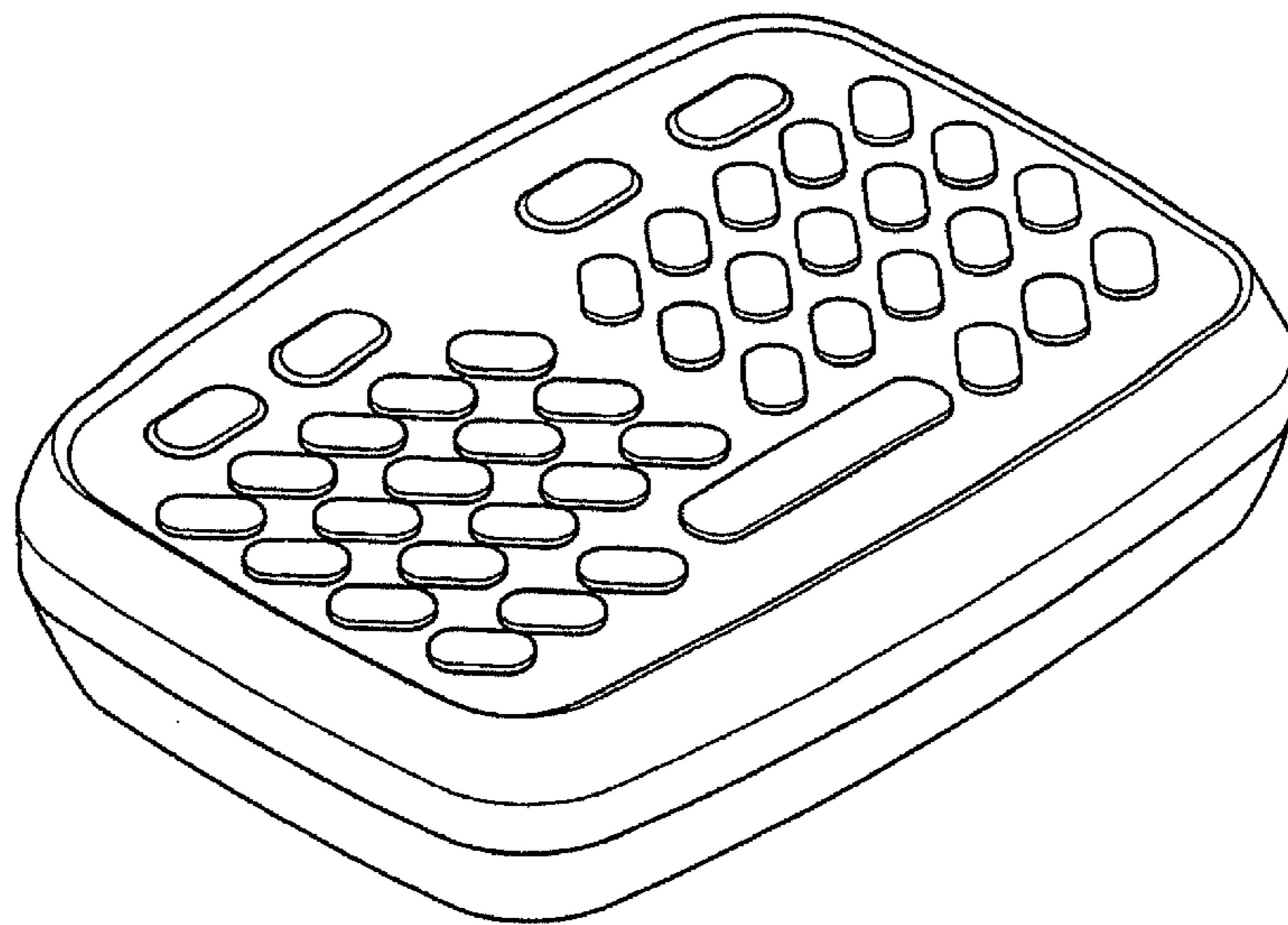


FIG. 2

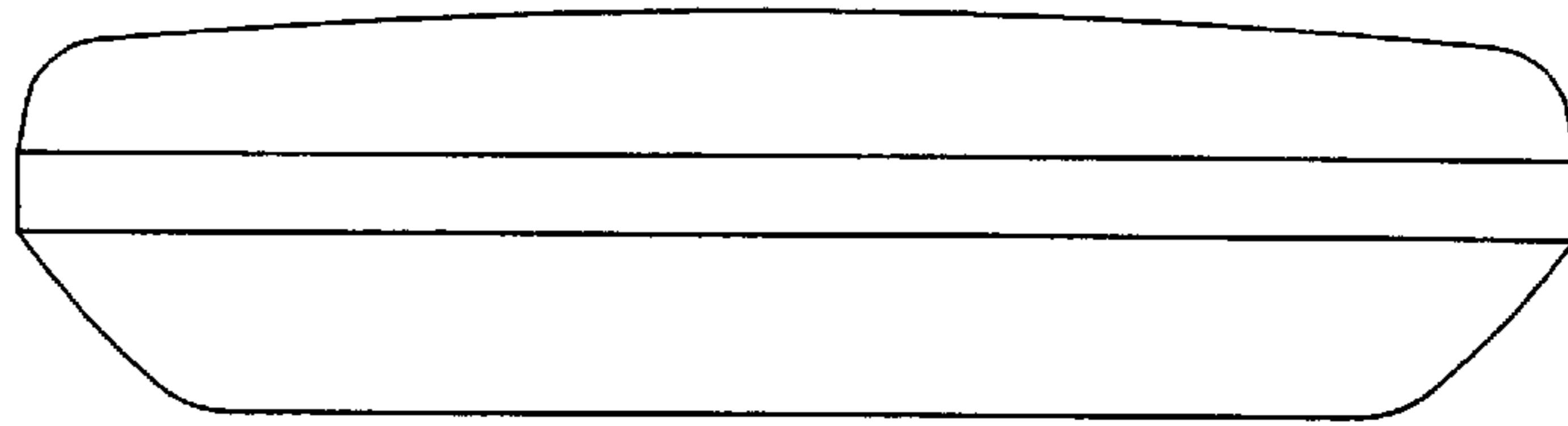


FIG. 3

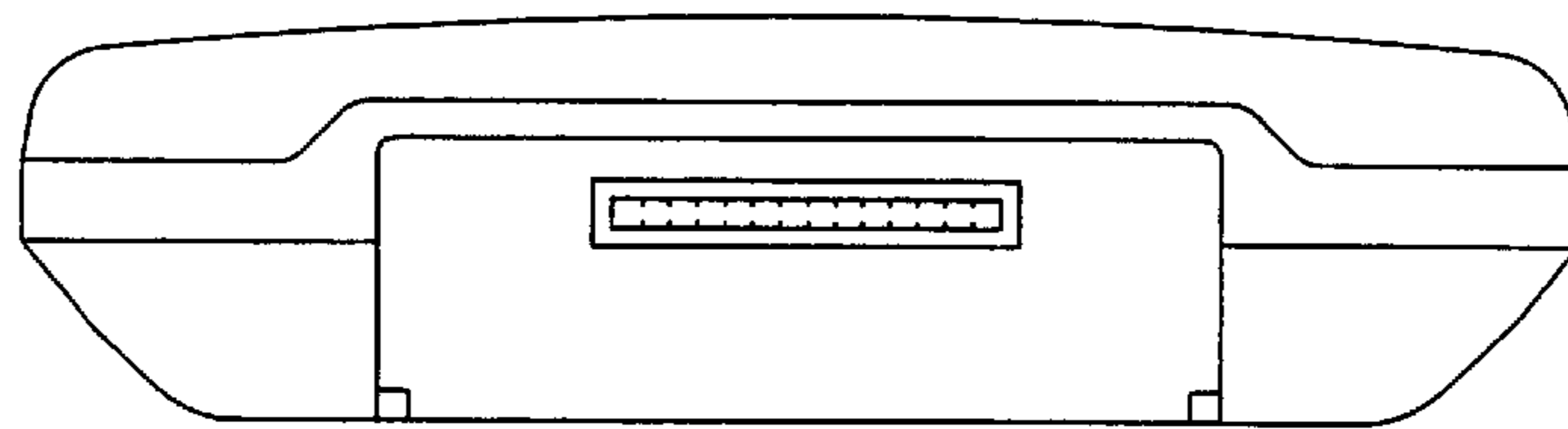


FIG. 4

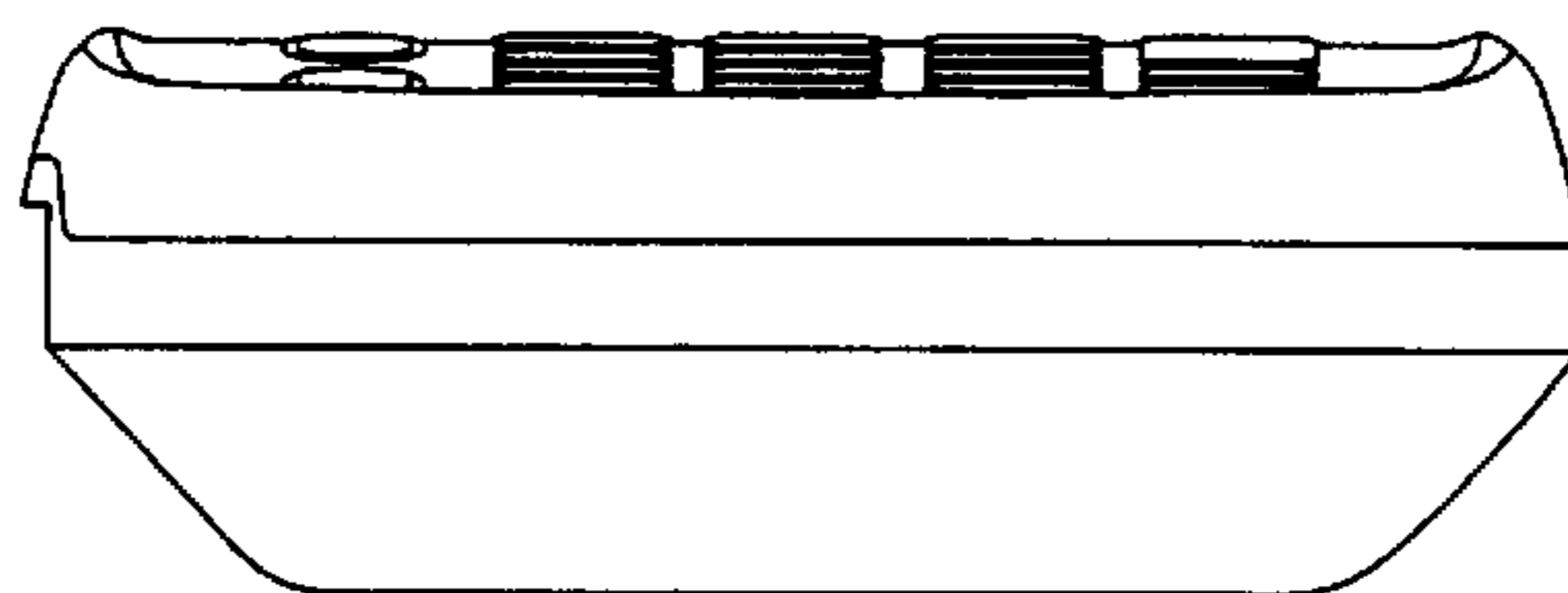


FIG. 5

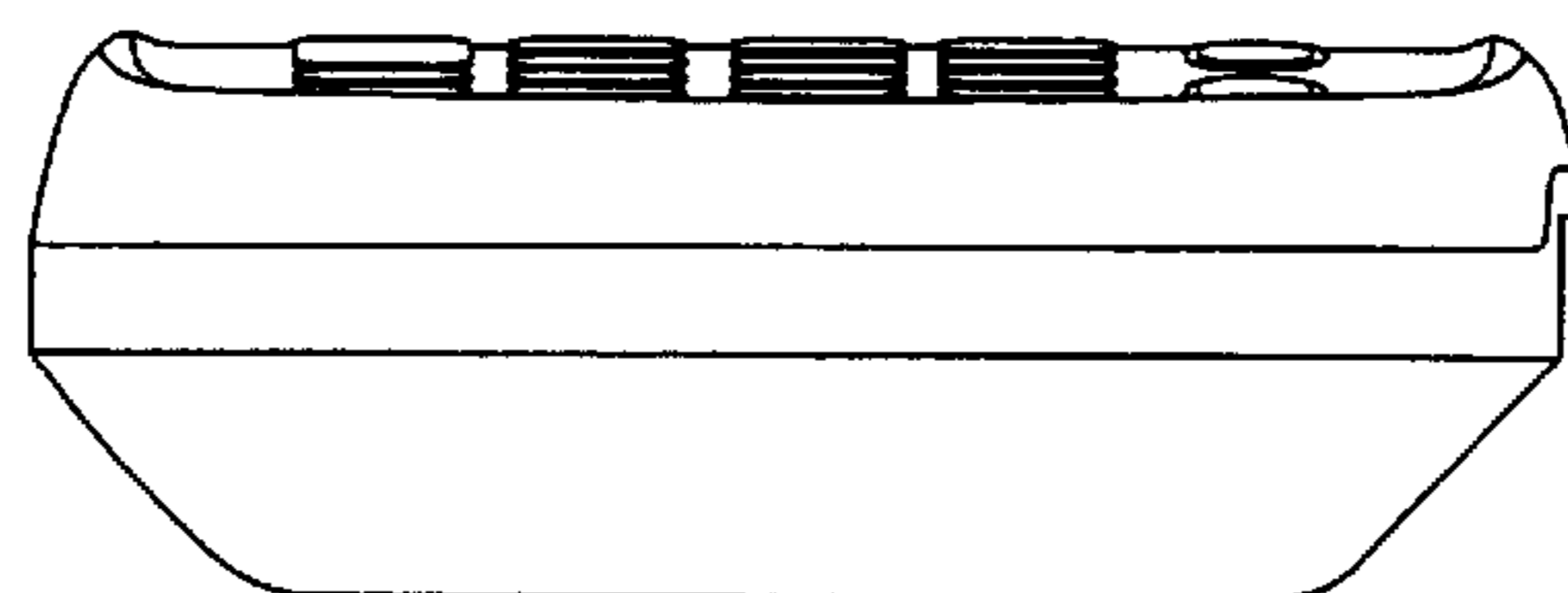


FIG. 6

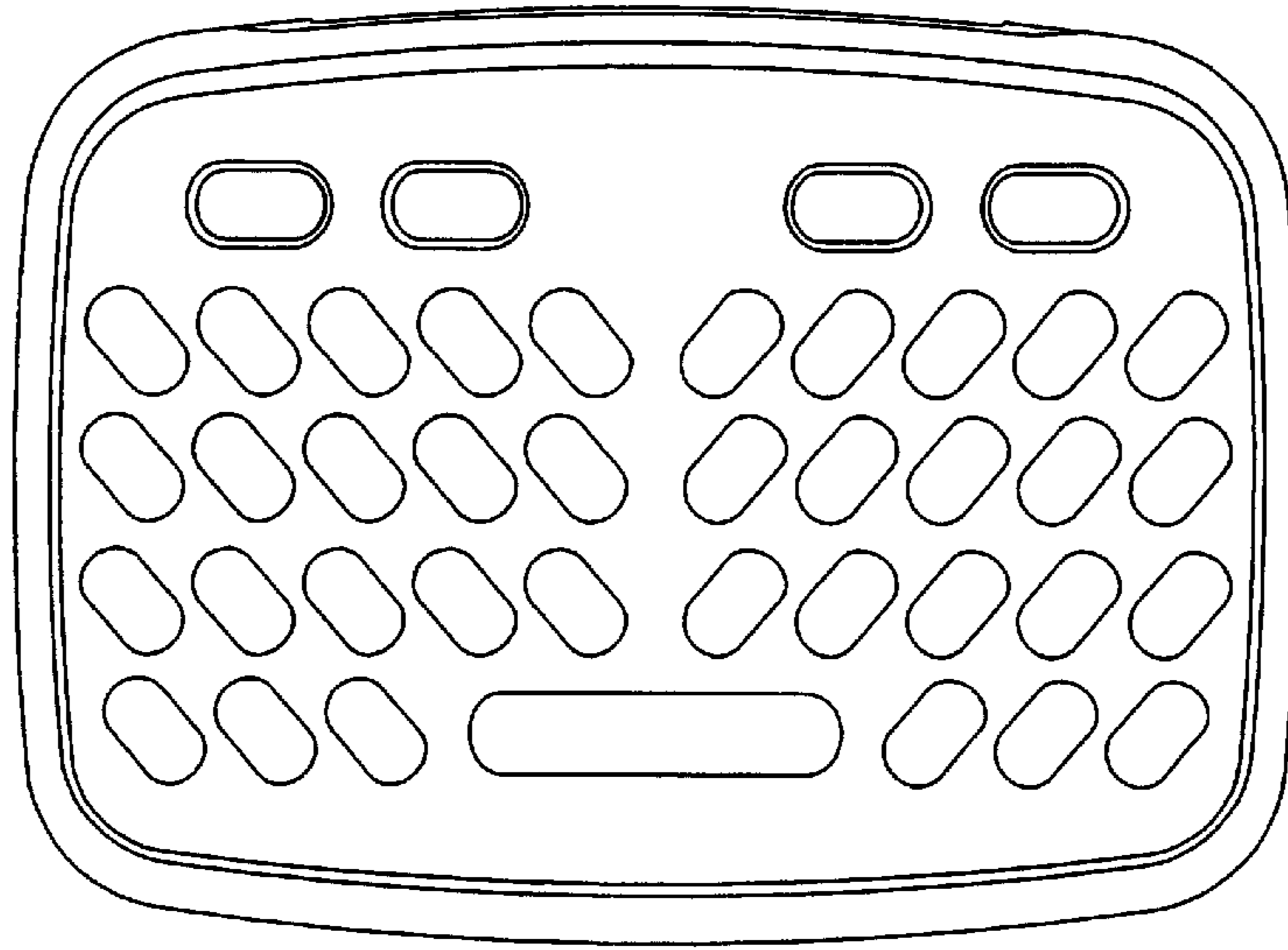
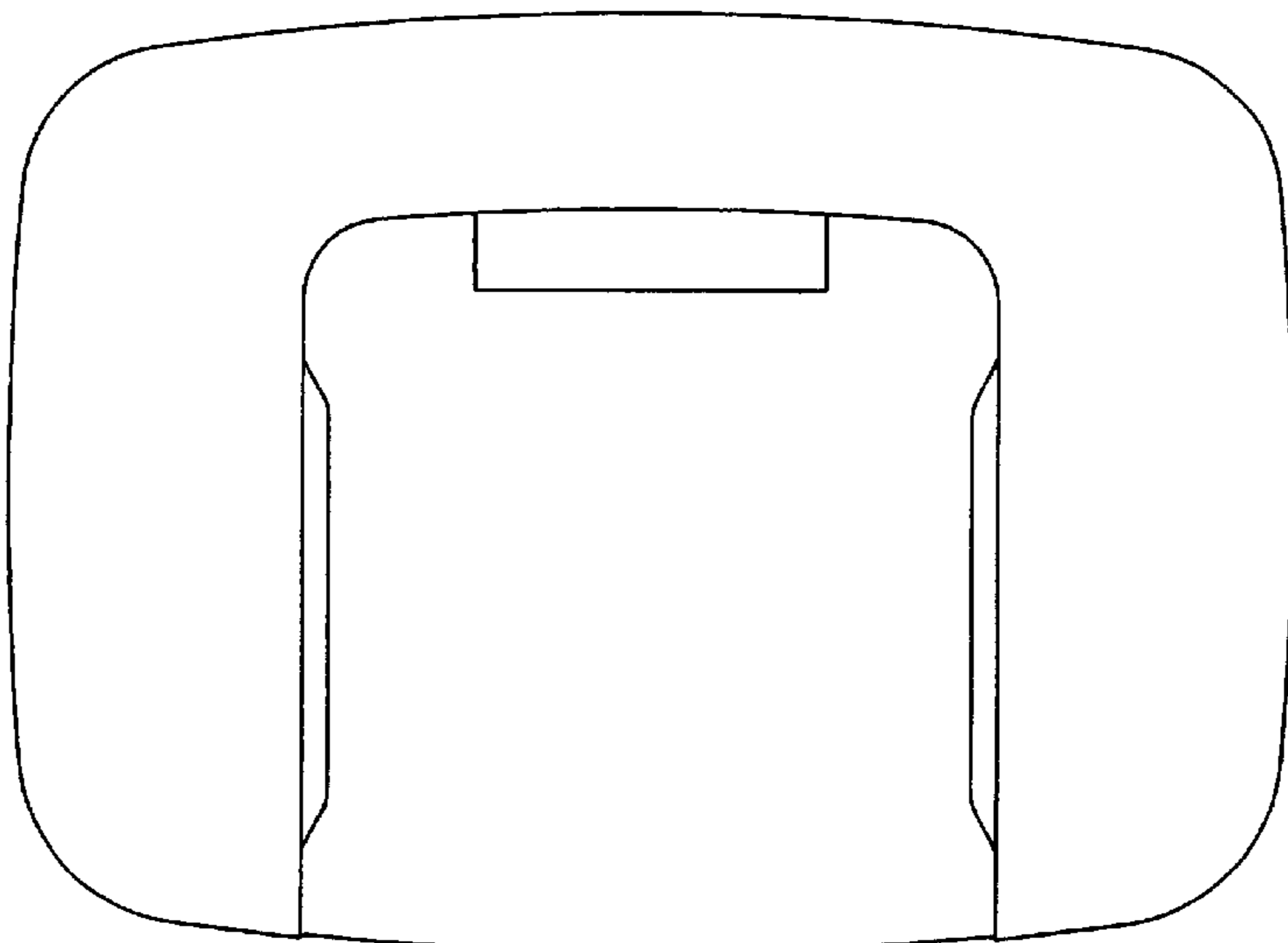


FIG. 7



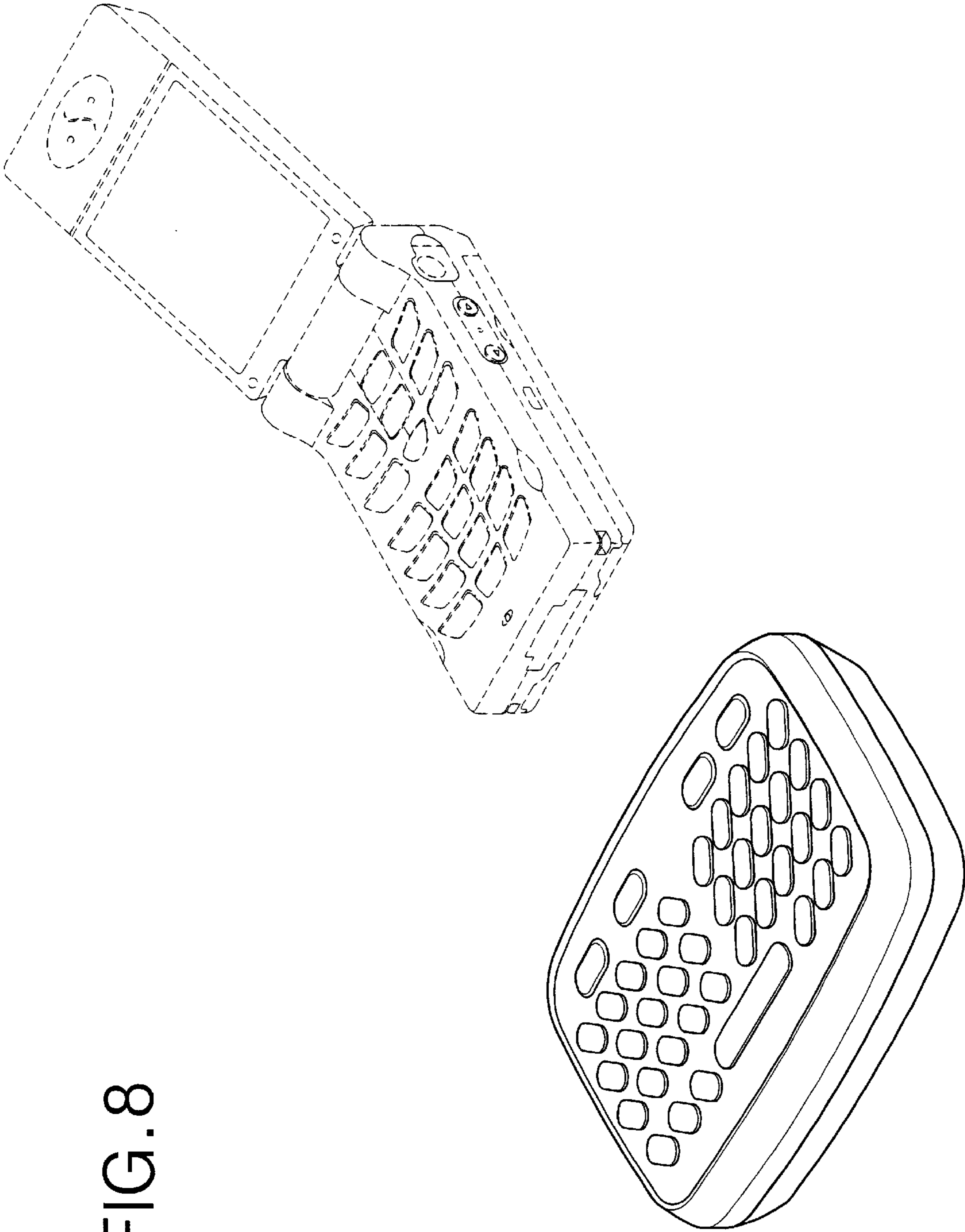


FIG. 8