



US00D533172S

(12) **United States Design Patent**  
**Lee et al.**

(10) **Patent No.:** **US D533,172 S**  
(45) **Date of Patent:** **\*\* Dec. 5, 2006**

(54) **KEYBOARD FOR PORTABLE TELEPHONE**

(75) Inventors: **Woo-Seok Lee**, Gunpo-Si (KR);  
**Jong-Seong Lee**, Seoul (KR);  
**Beom-Ku Han**, Seoul (KR)

(73) Assignee: **Samsung Electronics Co., Ltd.**, Suwon (KR)

(\*\*) Term: **14 Years**

(21) Appl. No.: **29/210,525**

(22) Filed: **Aug. 3, 2004**

(30) **Foreign Application Priority Data**

May 6, 2004 (KR) ..... 2004-0012983

(51) **LOC (8) Cl.** ..... **14-03**

(52) **U.S. Cl.** ..... **D14/240; D14/399**

(58) **Field of Classification Search** ..... D18/50,  
D18/51, 19, 35.1, 54, 56, 99, 37, 184, 7;  
101/5, 47, 49, 53; 235/375; 346/9-11, 76.1;  
D14/240, 399, 339, 346, 392, 463, 436, 393,  
D14/138, 401; 119/406-407; D13/184; 400/100  
See application file for complete search history.

(56) **References Cited**

**U.S. PATENT DOCUMENTS**

D299,029 S \* 12/1988 Williams ..... D14/399  
D345,158 S \* 3/1994 Namba et al. .... D14/138

D376,180 S \* 12/1996 Takahata et al. .... D14/401  
D377,166 S \* 1/1997 Jones et al. .... D14/346  
5,941,648 A \* 8/1999 Robinson et al. .... 400/100  
D416,008 S \* 11/1999 Robinson et al. .... D14/393  
D424,104 S \* 5/2000 Rorke et al. .... D18/56  
D470,845 S \* 2/2003 Hyun ..... D14/393  
D472,551 S \* 4/2003 Griffin ..... D14/346  
D478,585 S \* 8/2003 Griffin ..... D14/346  
D484,878 S \* 1/2004 Wightman et al. .... D14/346  
D485,838 S \* 1/2004 Wilson et al. .... D14/346

\* cited by examiner

*Primary Examiner*—Charles A. Rademaker

(74) *Attorney, Agent, or Firm*—Leydig, Voit & Mayerm Ltd.

(57) **CLAIM**

We claim the ornamental design for a keyboard for portable telephone, as shown and described.

**DESCRIPTION**

FIG. 1 is a perspective view of a keyboard for portable telephone showing our new design;  
FIG. 2 is a front elevation thereof;  
FIG. 3 is a rear elevation thereof;  
FIG. 4 is a left side elevation thereof;  
FIG. 5 is a right side elevation thereof;  
FIG. 6 is a top plan view thereof; and,  
FIG. 7 is a bottom plan view thereof.

**1 Claim, 4 Drawing Sheets**

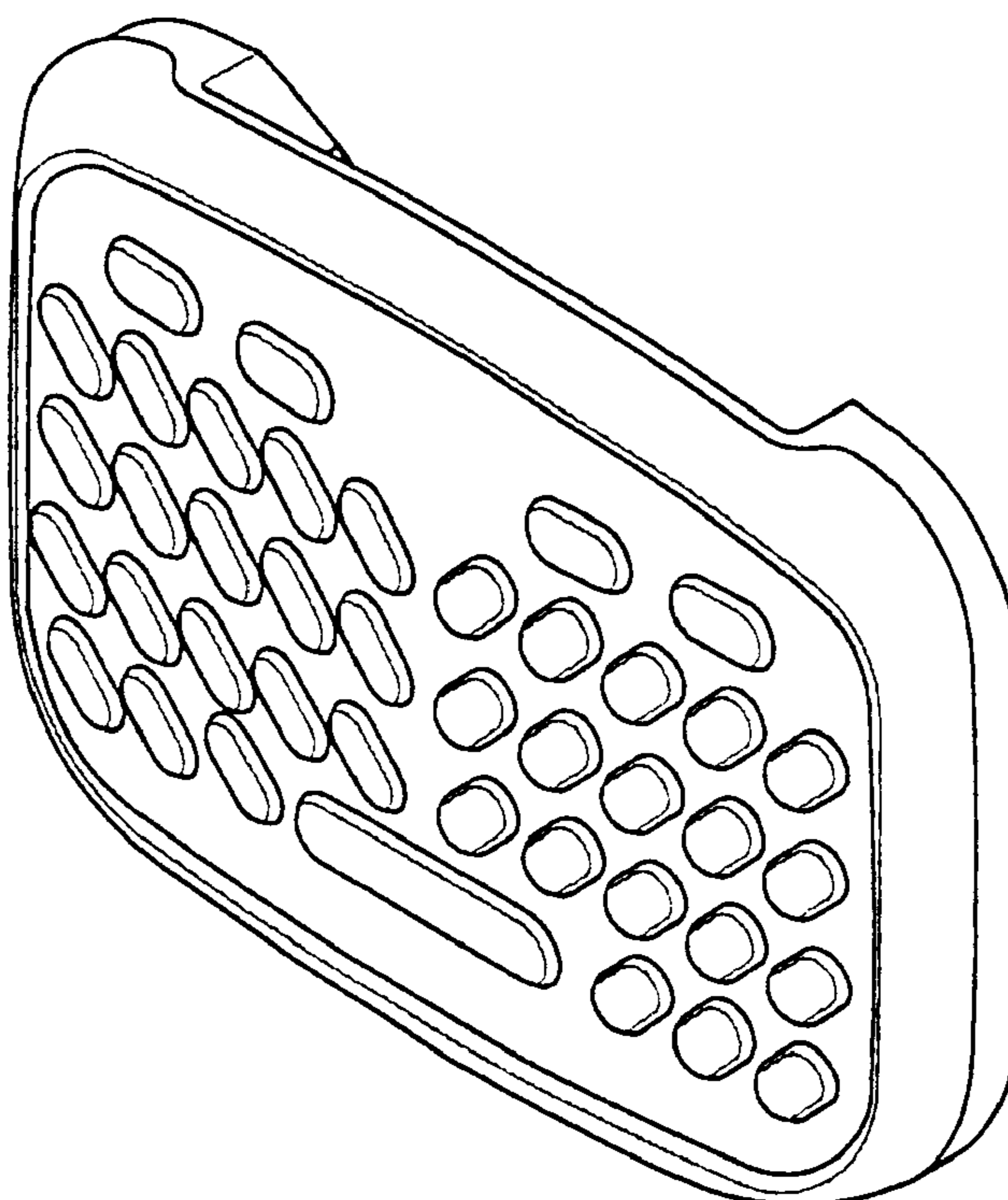


Fig. 1

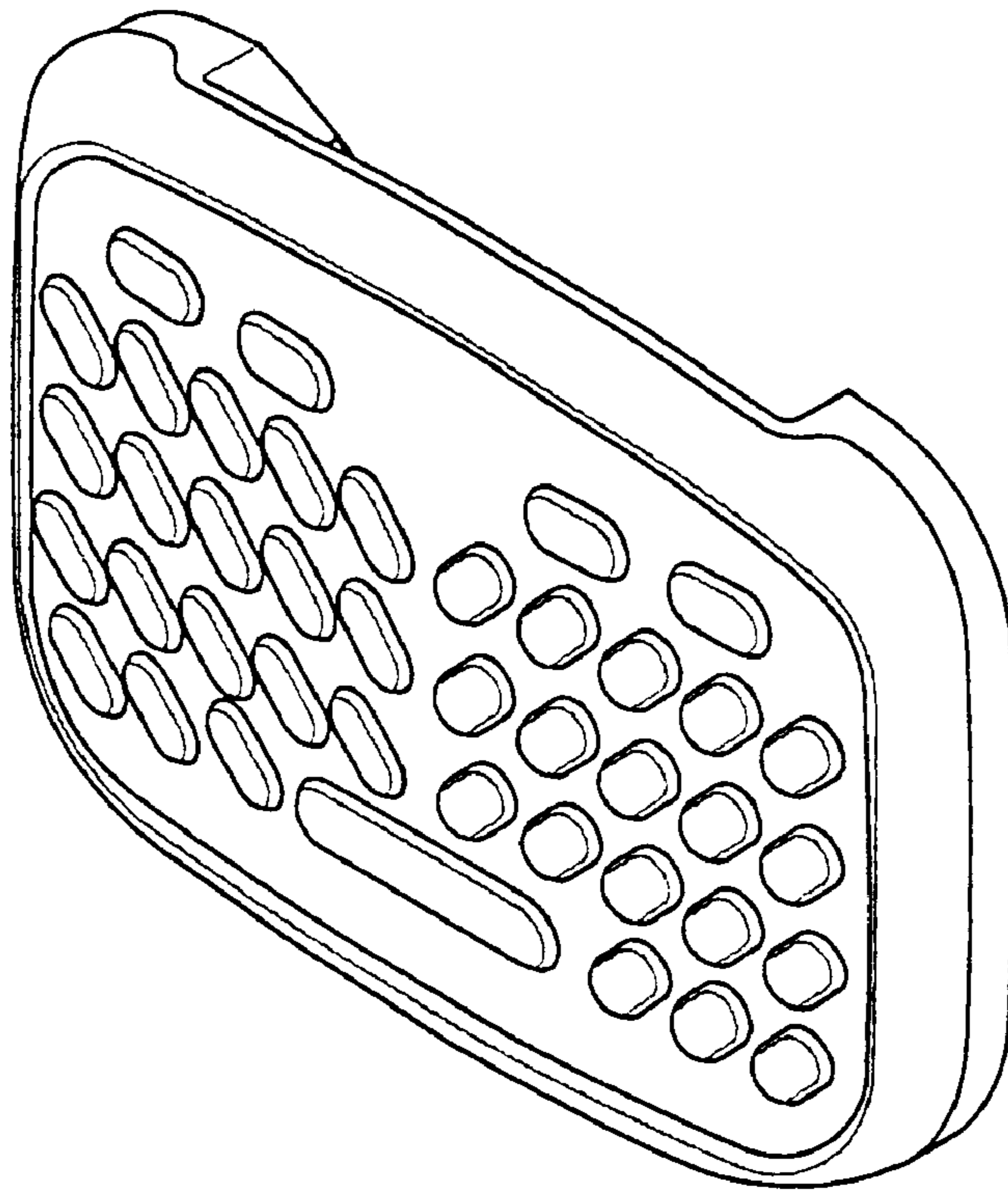


Fig. 2

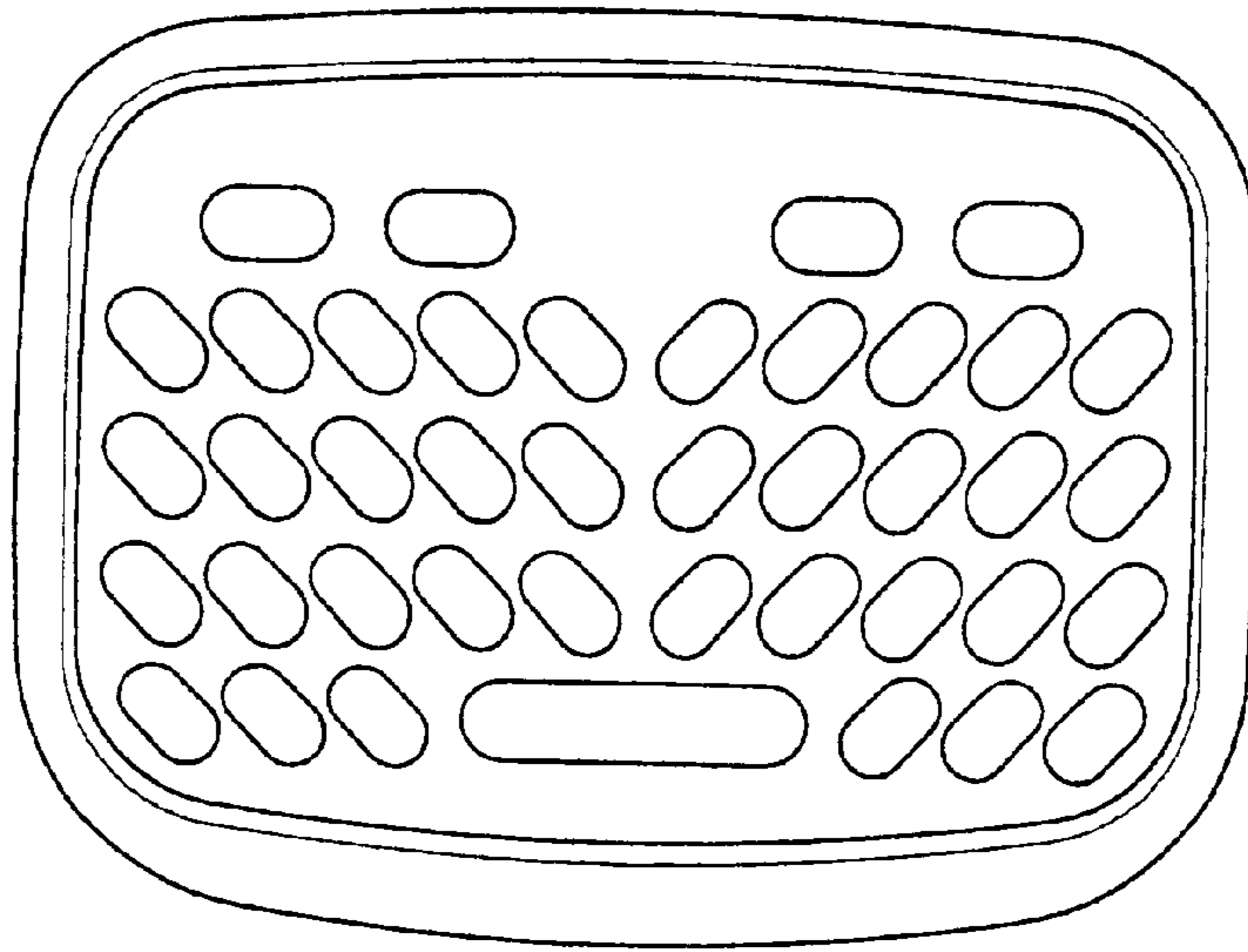


Fig. 3

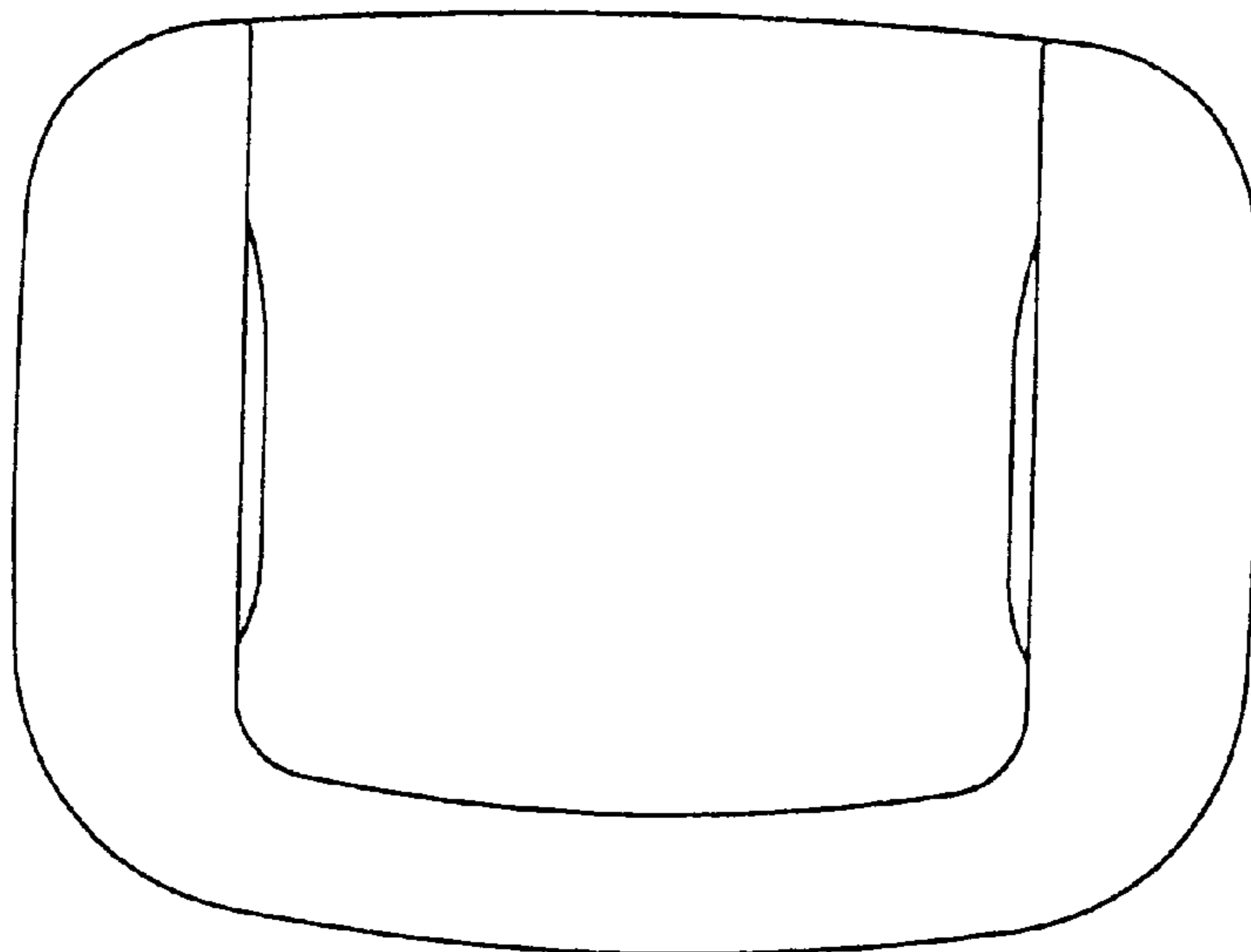


Fig. 4

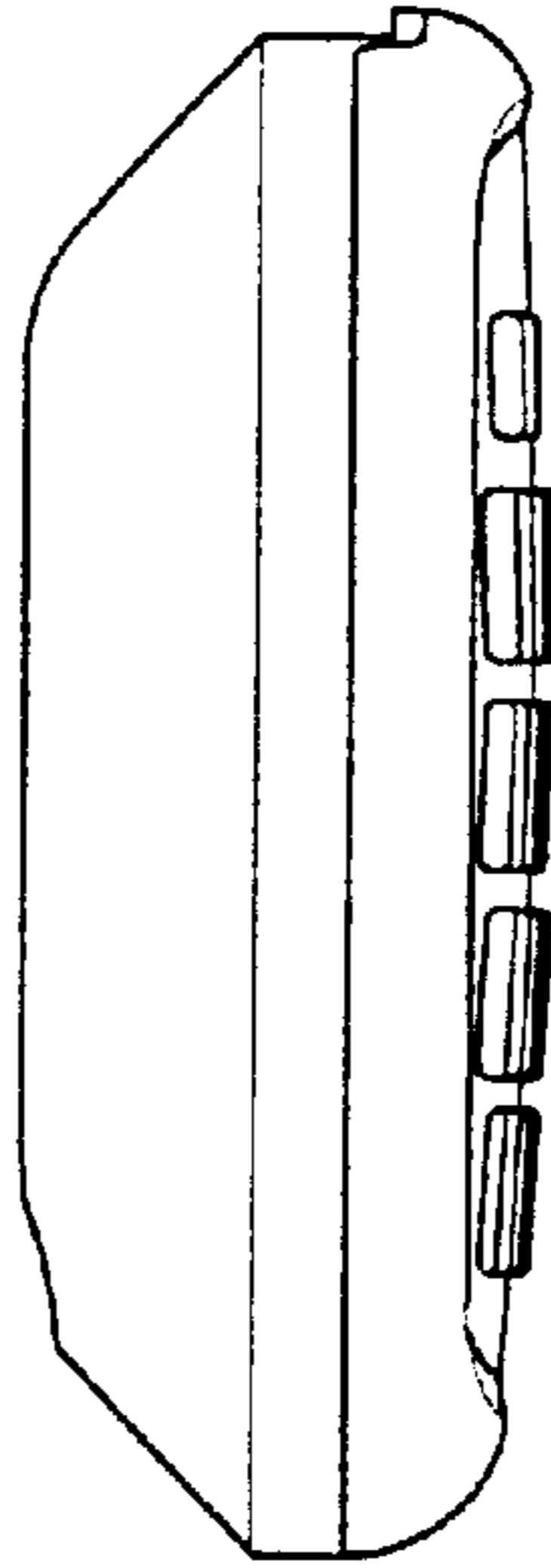


Fig. 5

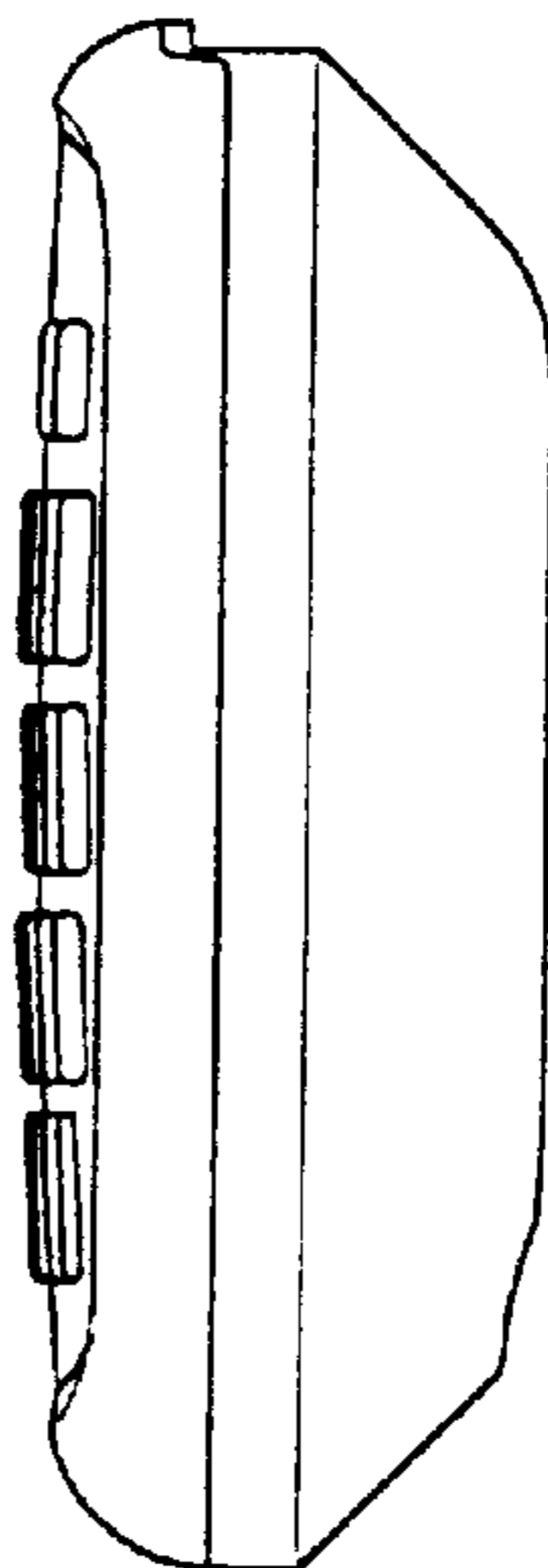


Fig. 6

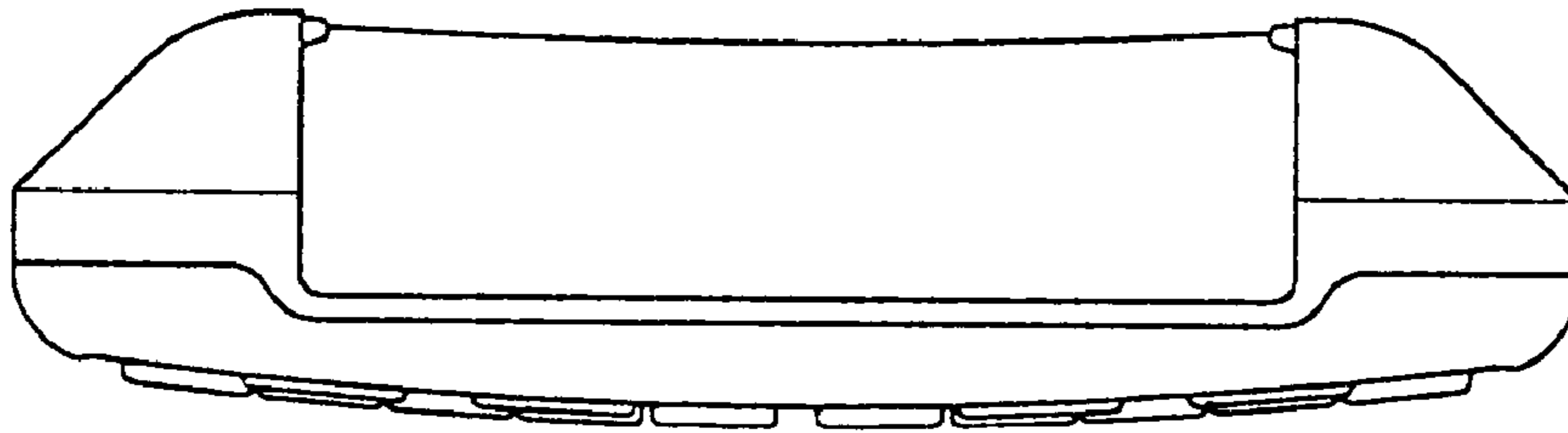


Fig. 7

