



US00D533171S

(12) **United States Design Patent**  
**Yamamoto et al.**

(10) **Patent No.:** **US D533,171 S**

(45) **Date of Patent:** **\*\* Dec. 5, 2006**

(54) **TELEVISION STAND**

(75) Inventors: **Takashi Yamamoto**, Kodaira (JP);  
**Akira Omachi**, Komae (JP); **Hiroaki Takatsuki**, La Jolla, CA (US);  
**Shigetaka Kimura**, La Jolla, CA (US)

(73) Assignee: **Hitachi Home Electronics (America), Inc.**, Chula Vista, CA (US)

(\*\*) Term: **14 Years**

(21) Appl. No.: **29/210,466**

(22) Filed: **Jul. 29, 2004**

(51) **LOC (8) Cl.** ..... **14-03**

(52) **U.S. Cl.** ..... **D14/239**

(58) **Field of Classification Search** ..... D14/125–134,  
D14/239, 371, 136, 374–382; 312/7.2; 348/836,  
348/838, 180, 184, 325, 739; 341/12; 248/917–924,  
248/465; 345/104, 133, 156, 168, 87, 173;  
720/605, 669, 600, 655; 369/99, 197; 455/344–347  
See application file for complete search history.

(56) **References Cited**

**U.S. PATENT DOCUMENTS**

D285,076 S	*	8/1986	Proetta et al.	.....	D14/377
D307,264 S	*	4/1990	Brown et al.	.....	D14/377
D403,669 S	*	1/1999	Ma	.....	D14/375
D419,538 S	*	1/2000	Matsuoka et al.	.....	D14/376
D422,576 S	*	4/2000	Chuo et al.	.....	D14/375

D424,034 S	*	5/2000	Li	.....	D14/374
D430,874 S	*	9/2000	Hsu	.....	D14/374
D432,101 S	*	10/2000	Oba	.....	D14/126
D488,451 S	*	4/2004	Niitsu	.....	D14/126
D510,730 S	*	10/2005	Asanuma et al.	.....	D14/126
D511,152 S	*	11/2005	Lee	.....	D14/126
D514,566 S	*	2/2006	Chiu et al.	.....	D14/375
2006/0022108 A1	*	2/2006	Kuga	.....	248/422

\* cited by examiner

*Primary Examiner*—Raphael Barkai

(74) *Attorney, Agent, or Firm*—Knobbe, Martens, Olson & Bear, LLP

(57) **CLAIM**

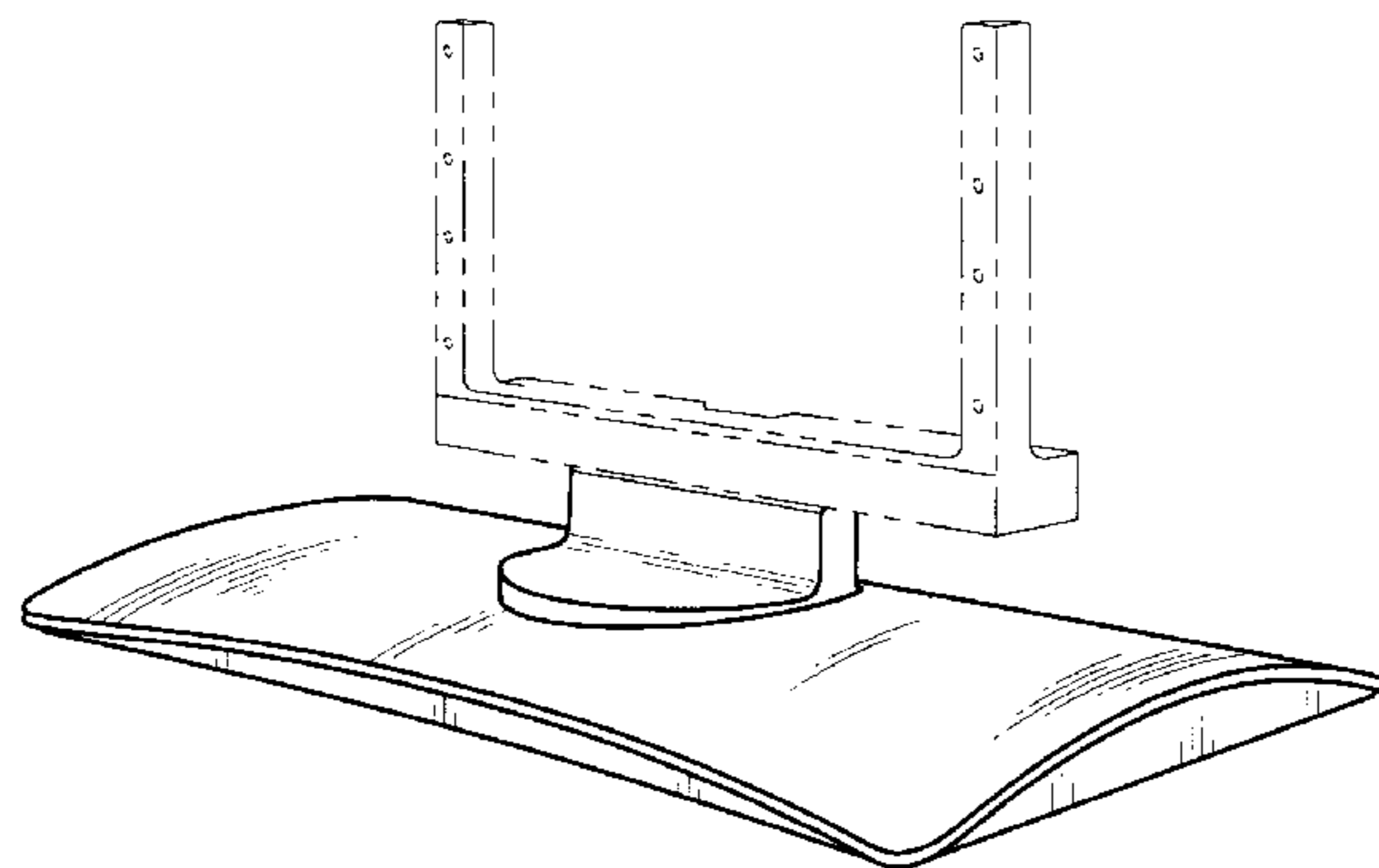
The ornamental design for a television stand, as shown and described.

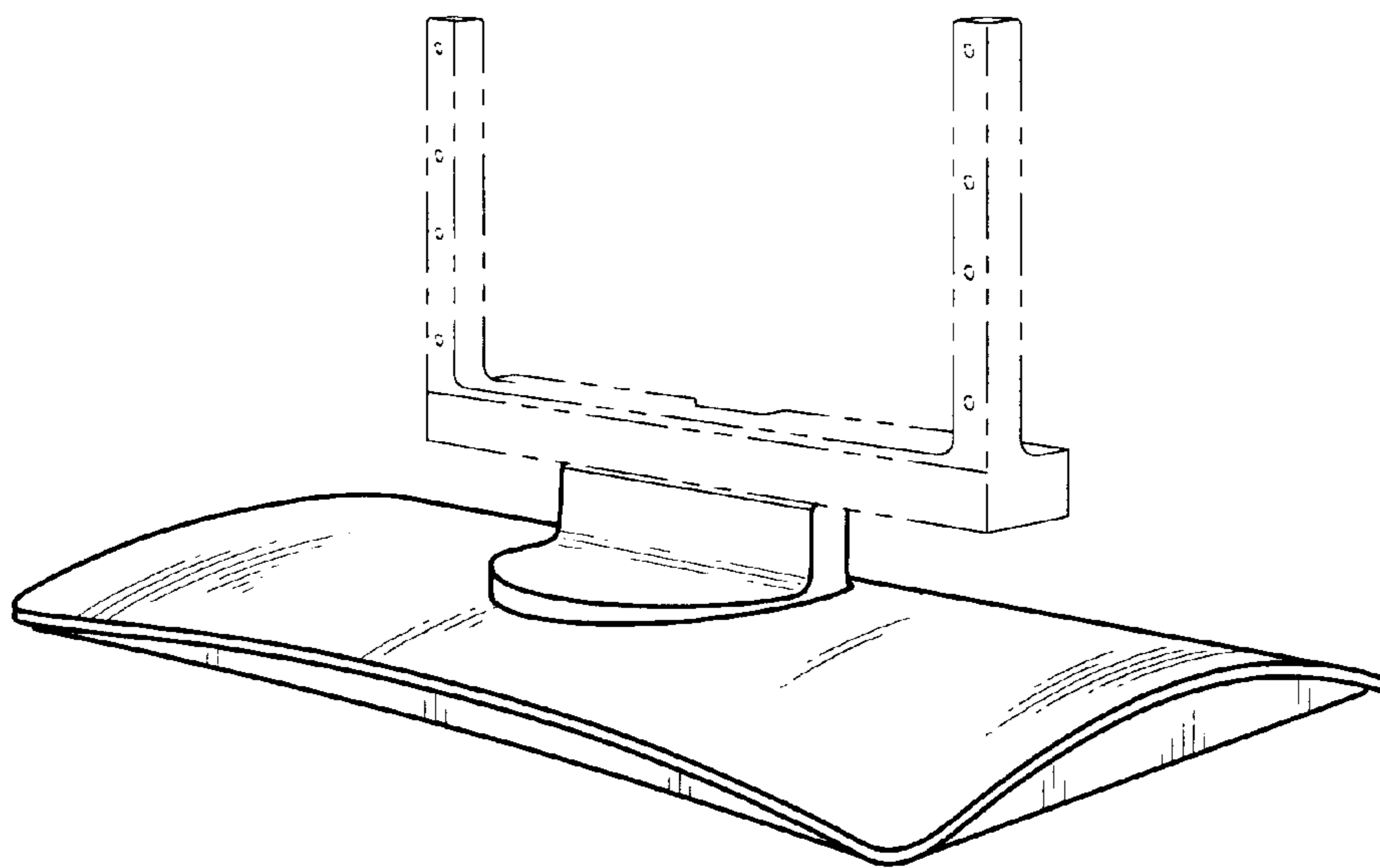
**DESCRIPTION**

FIG. 1 is a perspective view of a television stand;  
FIG. 2 is a front elevational view thereof;  
FIG. 3 is a rear elevational view thereof;  
FIG. 4 is a left side elevational view thereof;  
FIG. 5 is a right side elevational view thereof;  
FIG. 6 is a cutaway top plan view thereof;  
FIG. 7 is a top plan view thereof; and,  
FIG. 8 is a bottom plan view thereof.

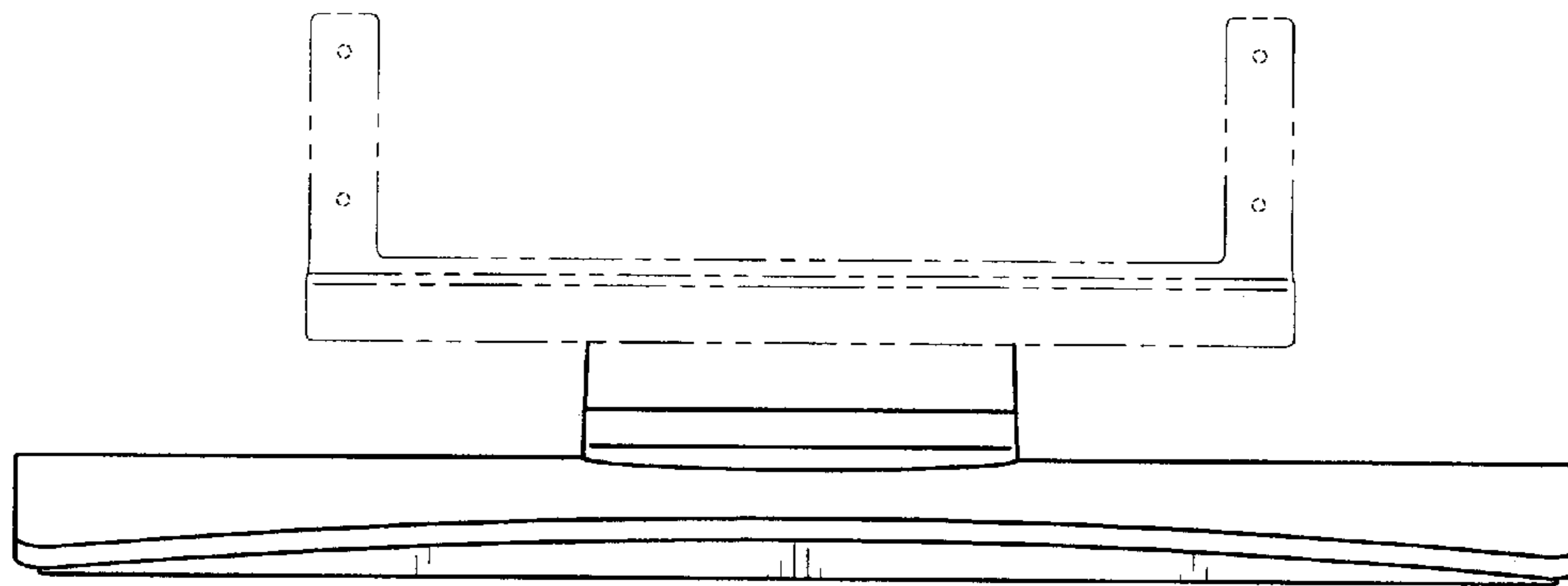
The broken lines are shown for illustrative purposes only and form no part of the claimed invention.

**1 Claim, 5 Drawing Sheets**

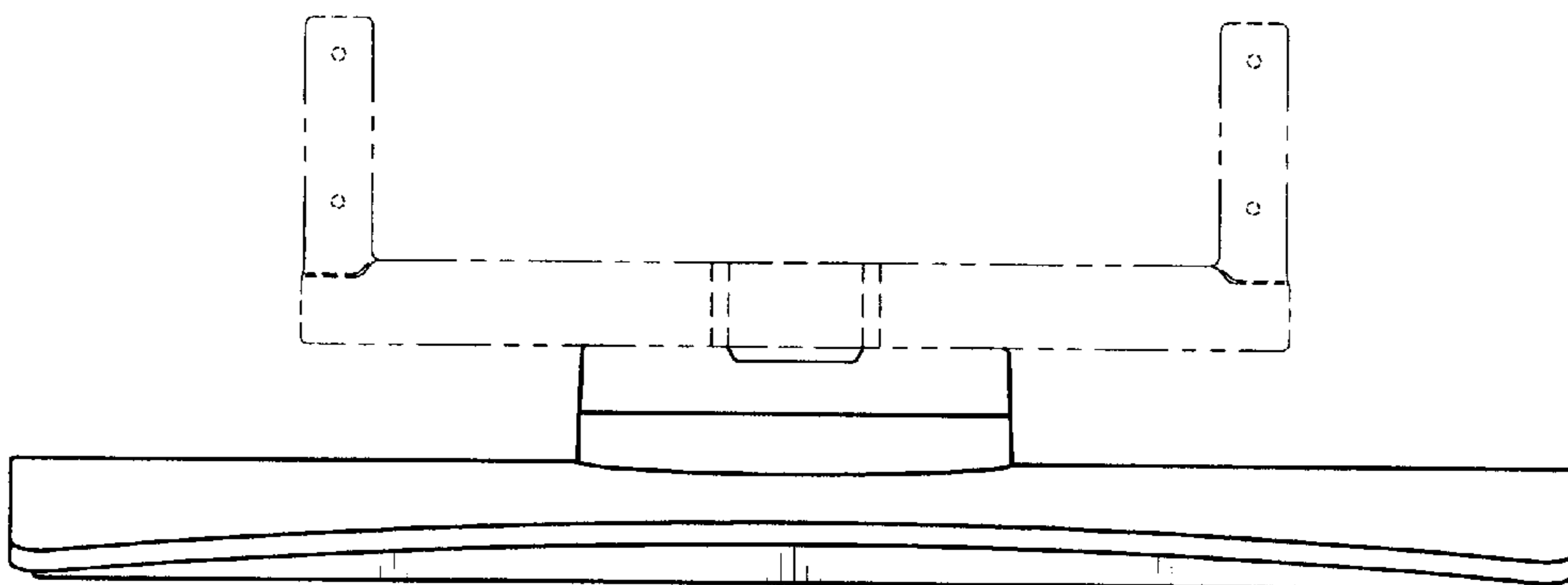




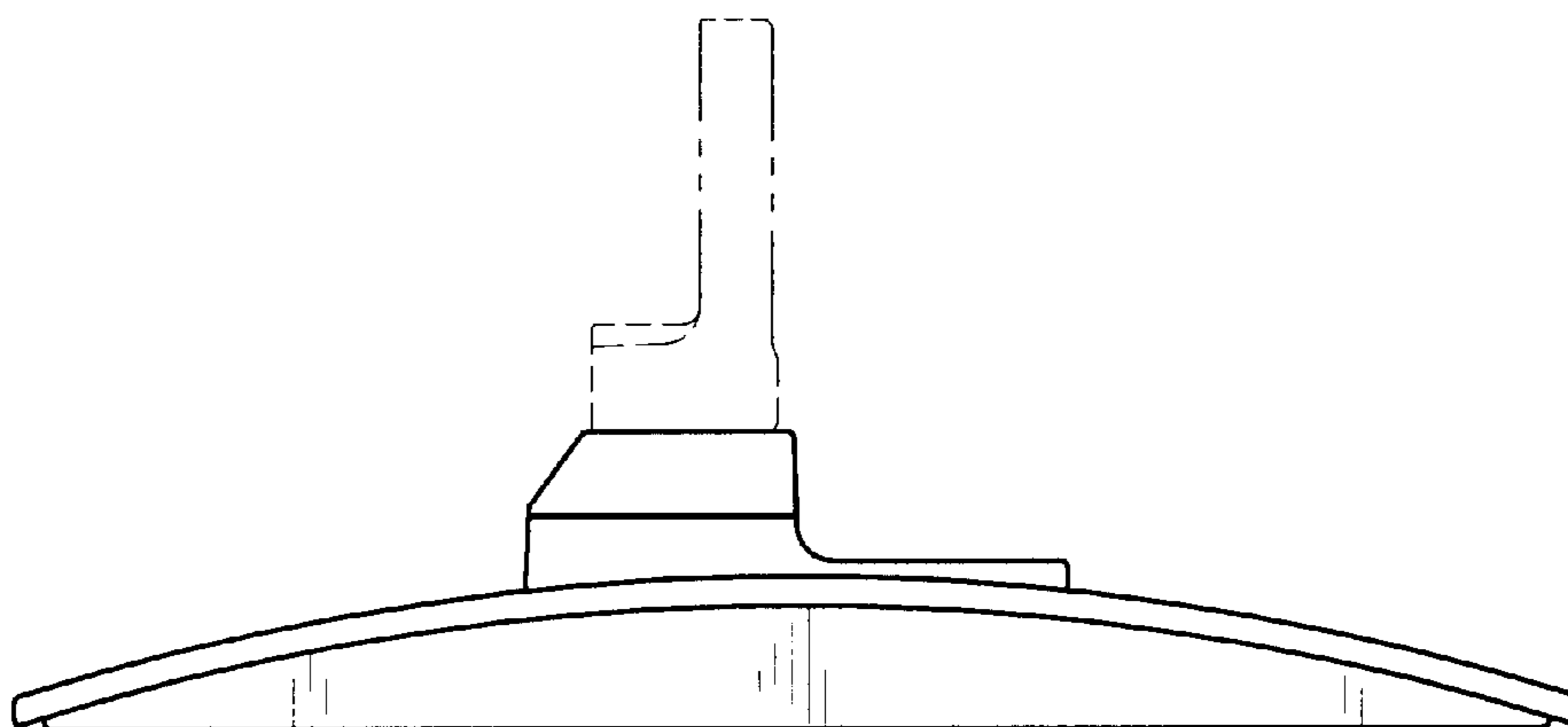
**FIG. 1**



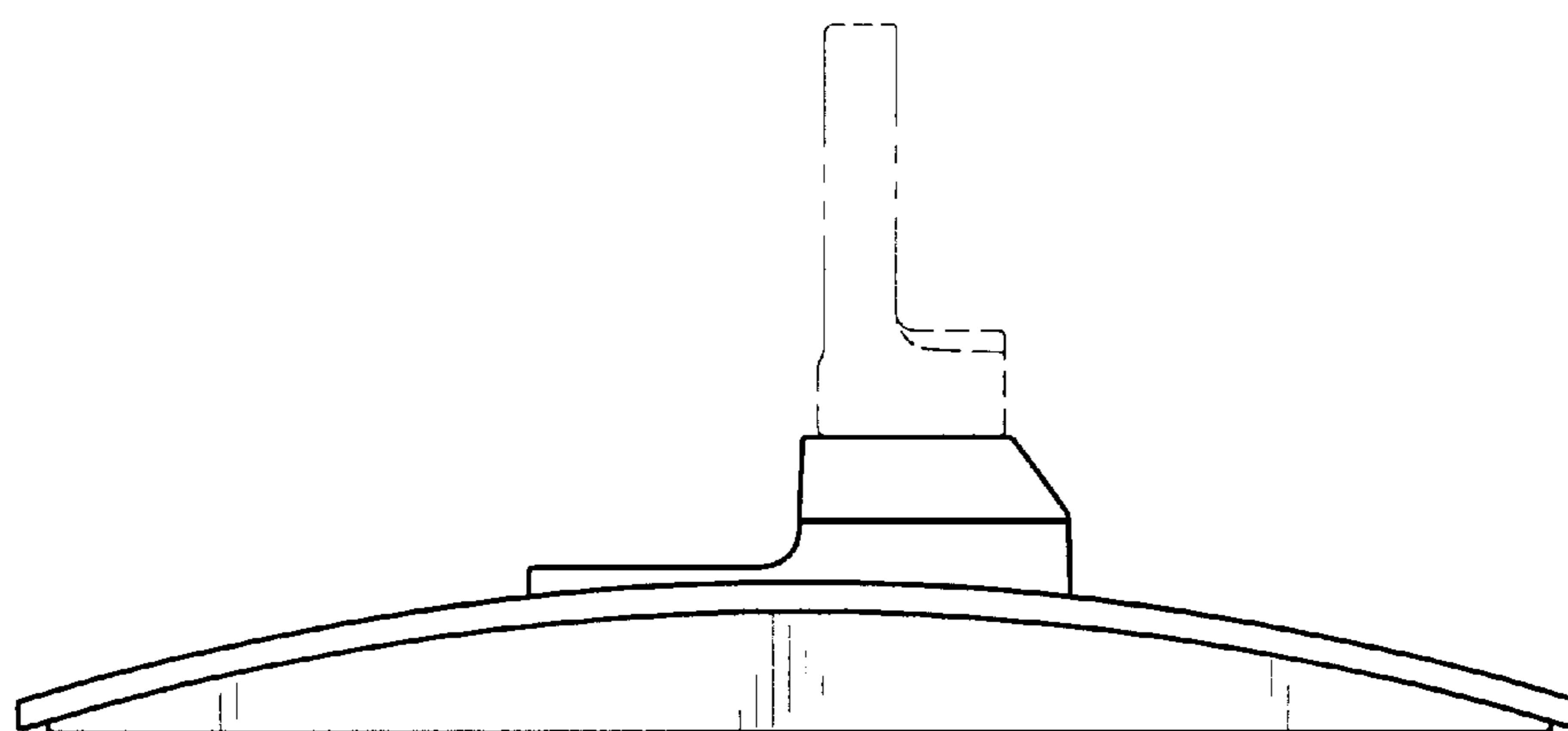
*FIG. 2*



*FIG. 3*



**FIG. 4**



**FIG. 5**

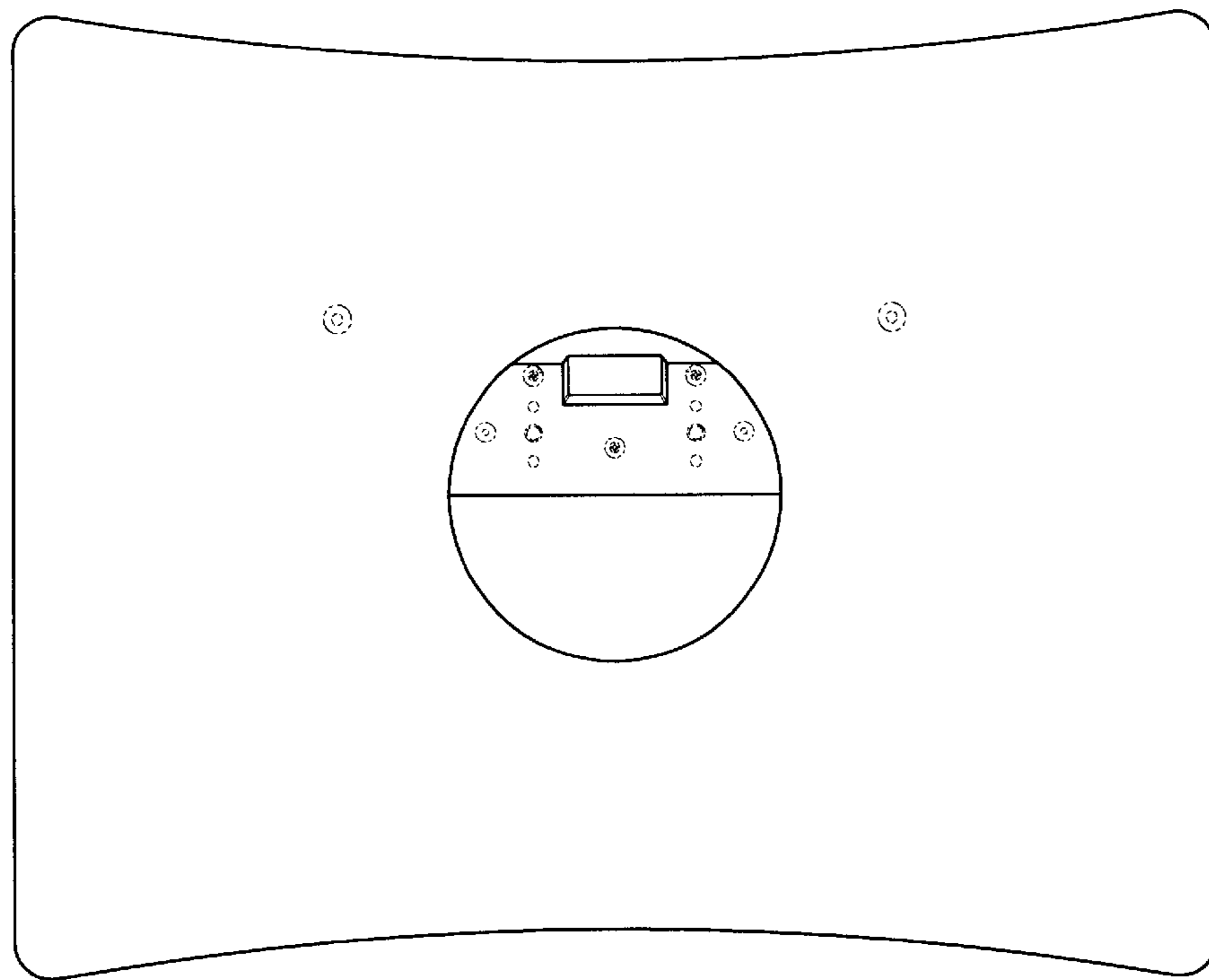


FIG. 6

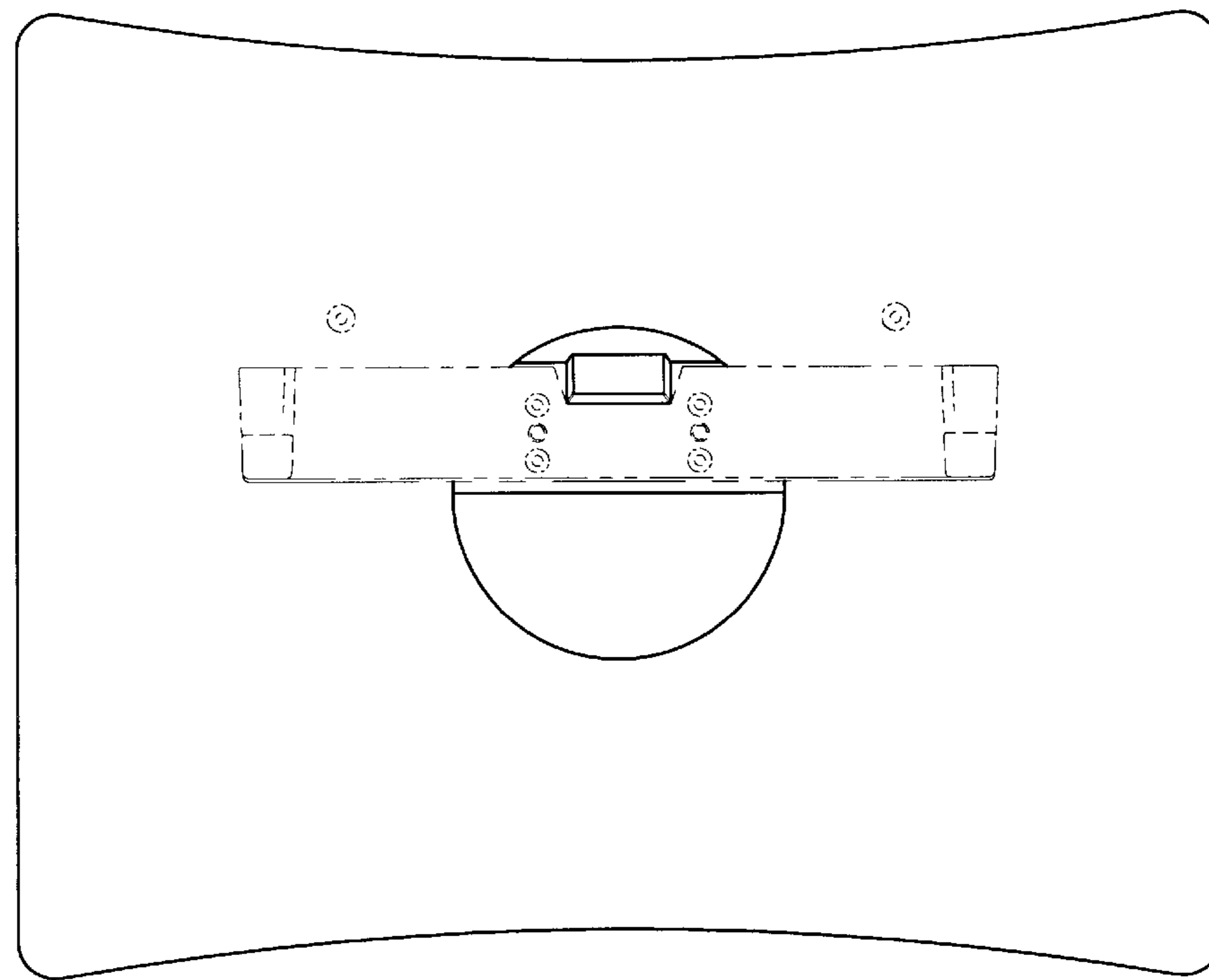
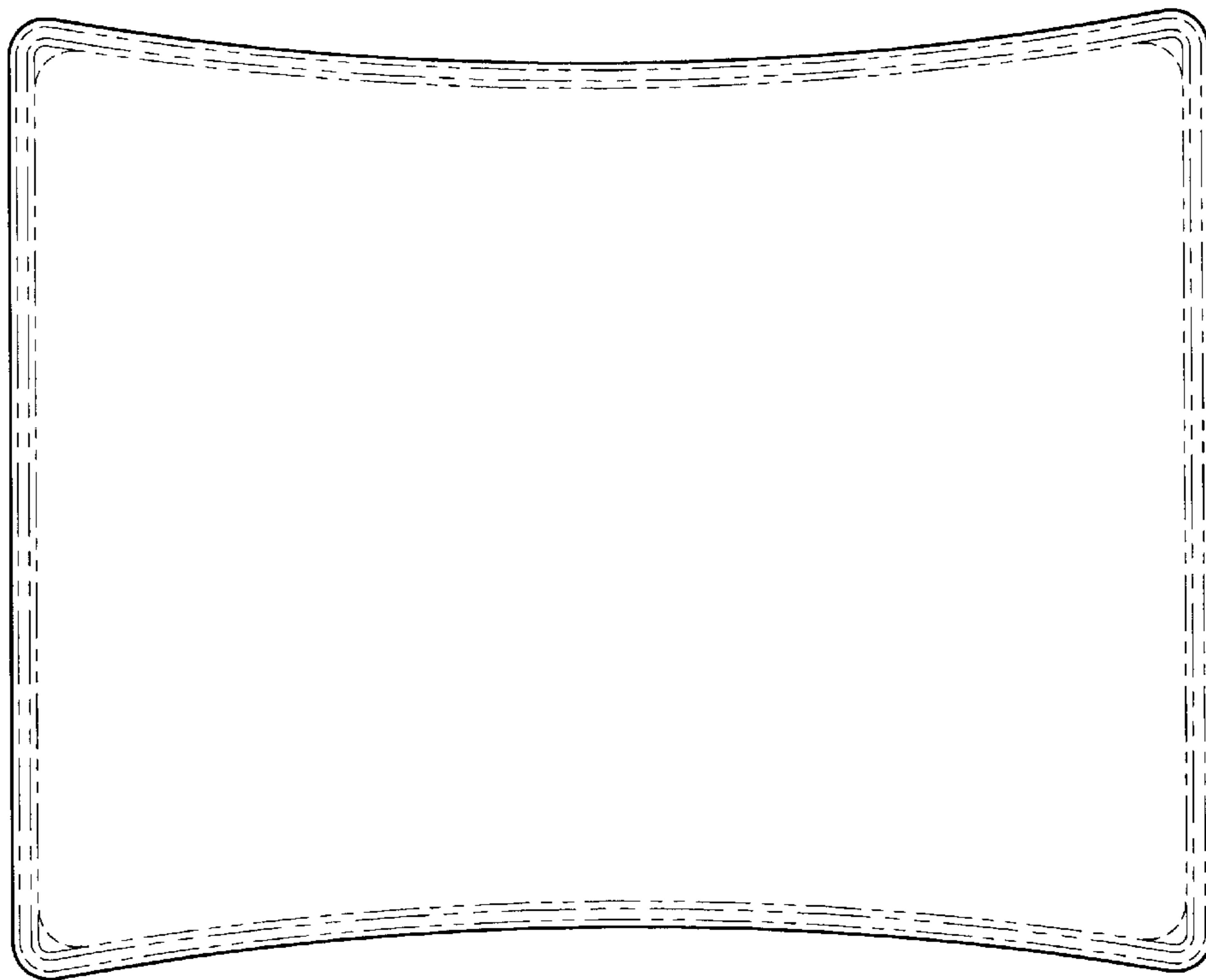


FIG. 7



*FIG. 8*