



US00D533170S

(12) **United States Design Patent**
Yamamoto et al.

(10) **Patent No.:** **US D533,170 S**

(45) **Date of Patent:** **** Dec. 5, 2006**

(54) **TELEVISION STAND**

(75) Inventors: **Takashi Yamamoto**, Kodaira (JP);
Akira Omachi, Komae (JP); **Hiroaki Takatsuki**, La Jolla, CA (US);
Shigetaka Kimura, La Jolla, CA (US)

(73) Assignee: **Hitachi Home Electronics (America), Inc.**, Chula Vista, CA (US)

(**) Term: **14 Years**

(21) Appl. No.: **29/210,464**

(22) Filed: **Jul. 29, 2004**

(51) **LOC (8) Cl.** **14-03**

(52) **U.S. Cl.** **D14/239**

(58) **Field of Classification Search** D14/125-134,
D14/239, 371, 136, 374-382; 312/7.2; 348/836,
348/838, 180, 184, 325, 739; 341/12; 248/917-924,
248/465; 345/104, 133, 156, 168, 87, 173;
720/605, 669, 600, 655; 369/99, 197; 455/344-347
See application file for complete search history.

(56) **References Cited**

U.S. PATENT DOCUMENTS

D285,076 S * 8/1986 Proetta et al. D14/377
D307,264 S * 4/1990 Brown et al. D14/377
D403,669 S * 1/1999 Ma D14/375
D419,538 S * 1/2000 Matsuoka et al. D14/376
D422,576 S * 4/2000 Chuo et al. D14/375

D424,034 S * 5/2000 Li D14/374
D430,874 S * 9/2000 Hsu D14/374
D432,101 S * 10/2000 Oba D14/126
D488,451 S * 4/2004 Niitsu D14/126
D510,730 S * 10/2005 Asanuma et al. D14/126
D511,152 S * 11/2005 Lee D14/126
D514,566 S * 2/2006 Chiu et al. D14/375
2006/0022108 A1 * 2/2006 Kuga 248/422

* cited by examiner

Primary Examiner—Raphael Barkai

(74) *Attorney, Agent, or Firm*—Knobbe, Martens, Olson & Bear, LLP

(57) **CLAIM**

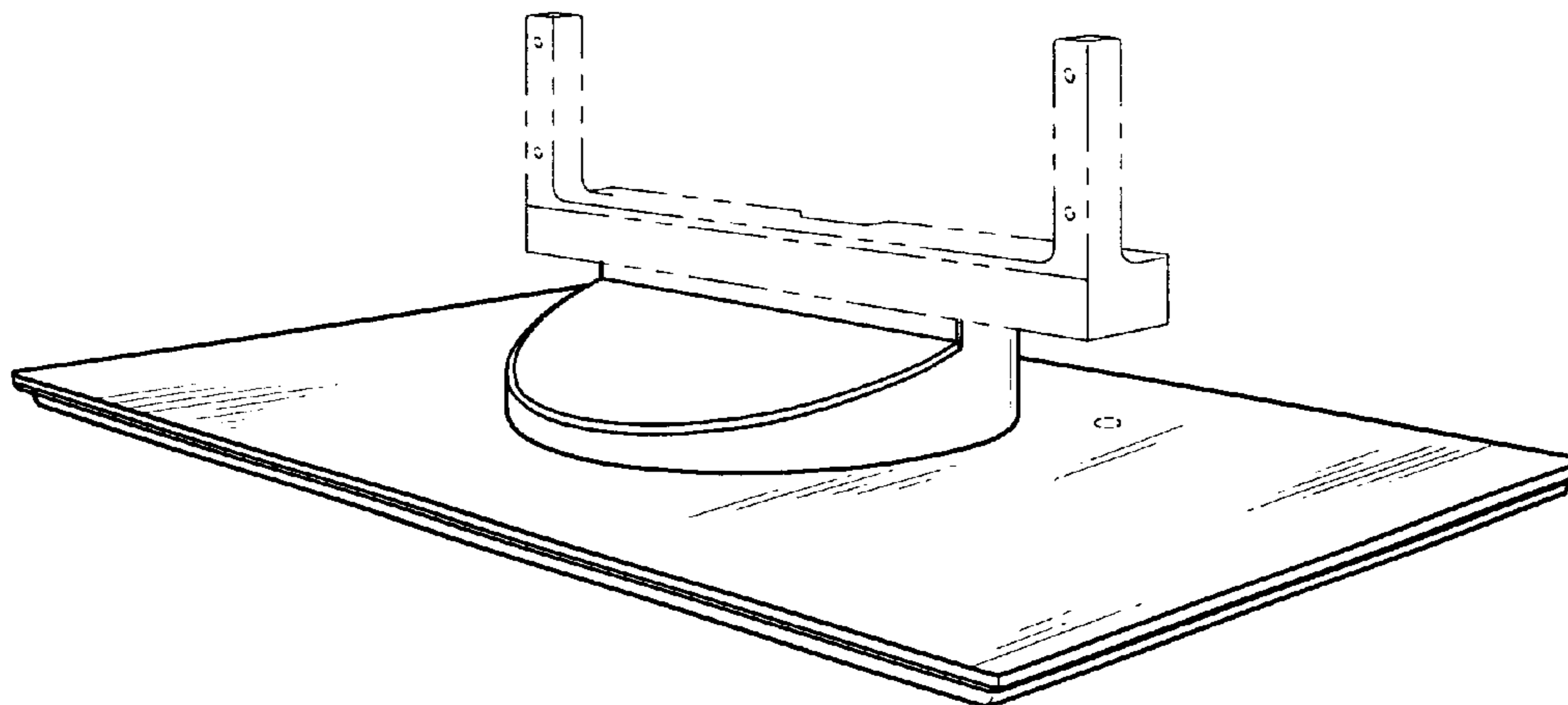
The ornamental design for a television stand, as shown and described.

DESCRIPTION

FIG. 1 is a perspective view of a television stand;
FIG. 2 is a front elevational view thereof;
FIG. 3 is a rear elevational view thereof;
FIG. 4 is a left side elevational view thereof;
FIG. 5 is a right side elevational view thereof;
FIG. 6 is a cutaway top plan view thereof;
FIG. 7 is a top plan view thereof; and,
FIG. 8 is a bottom plan view thereof.

The broken lines are shown for illustrative purposes only and form no part of the claimed invention.

1 Claim, 5 Drawing Sheets



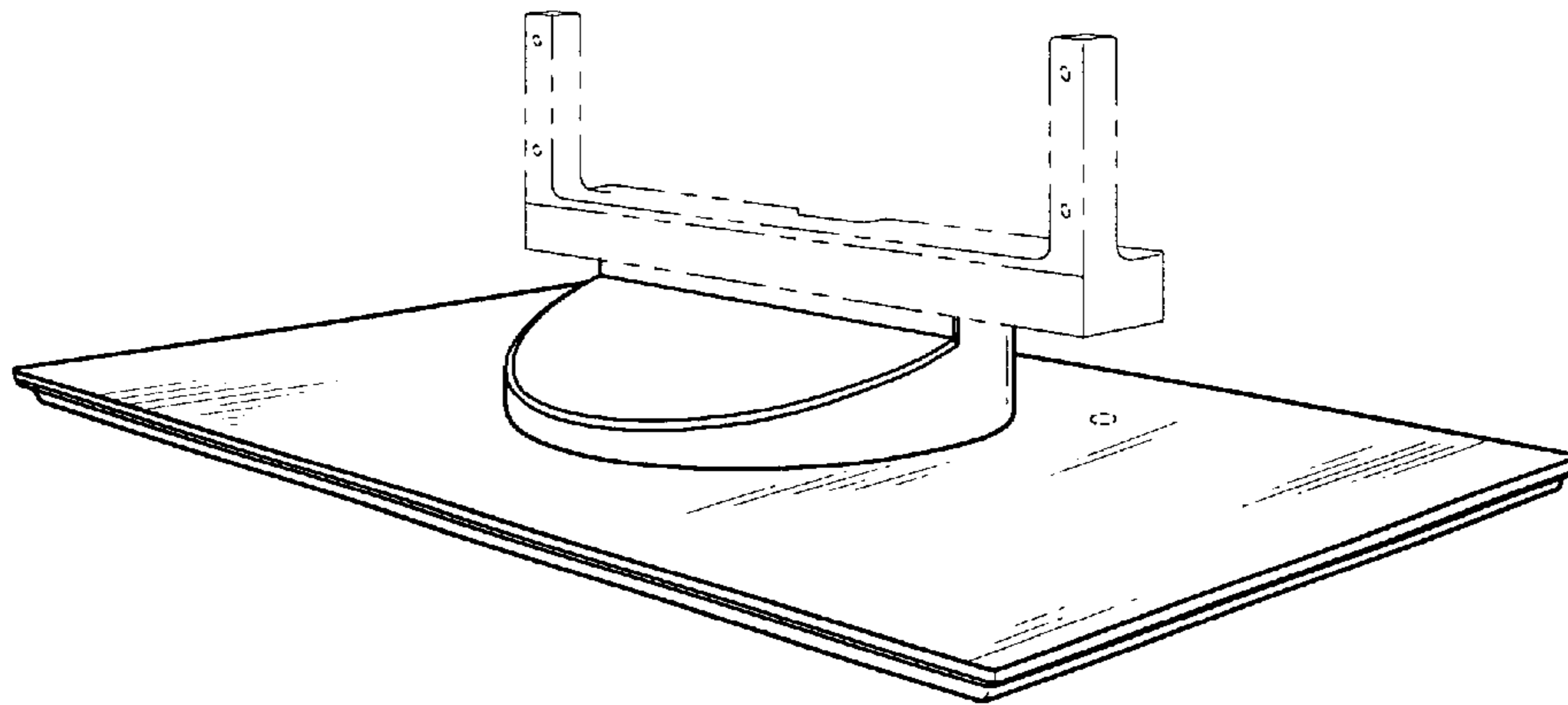


FIG. 1

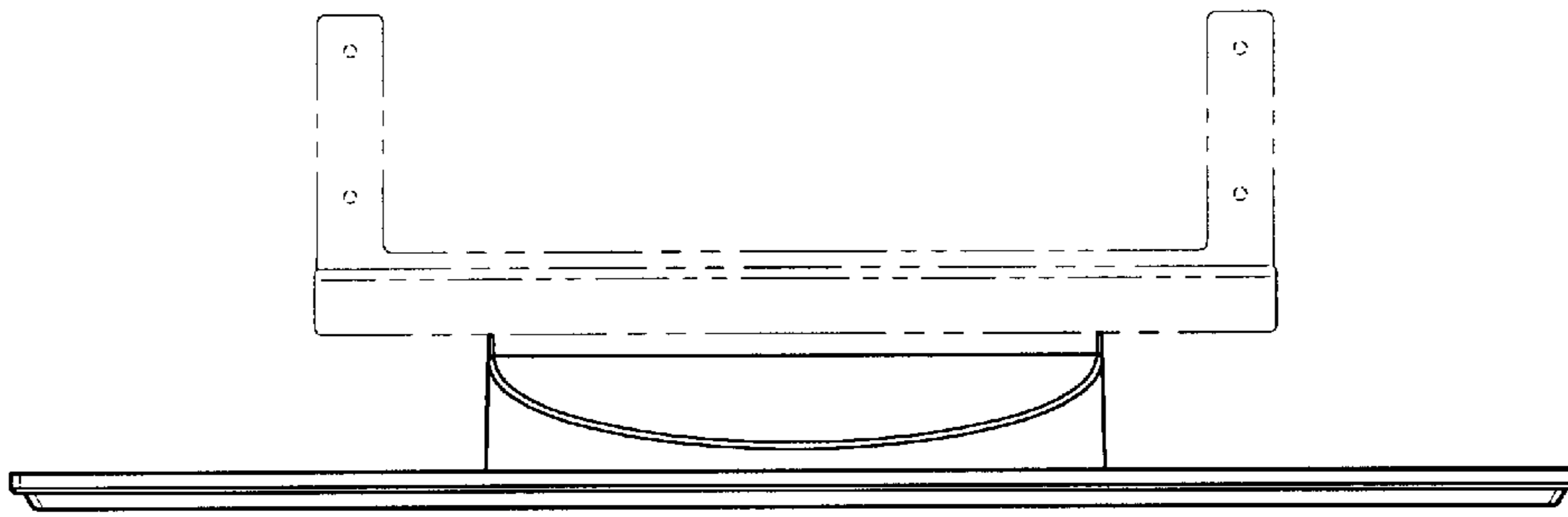


FIG. 2

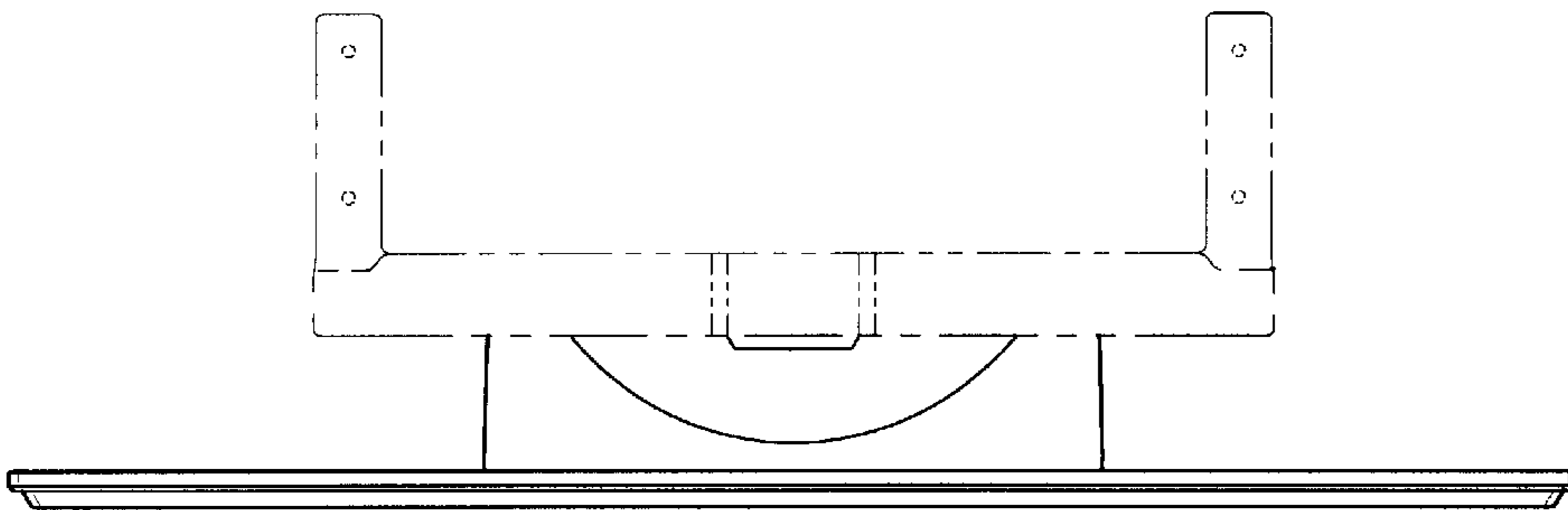


FIG. 3

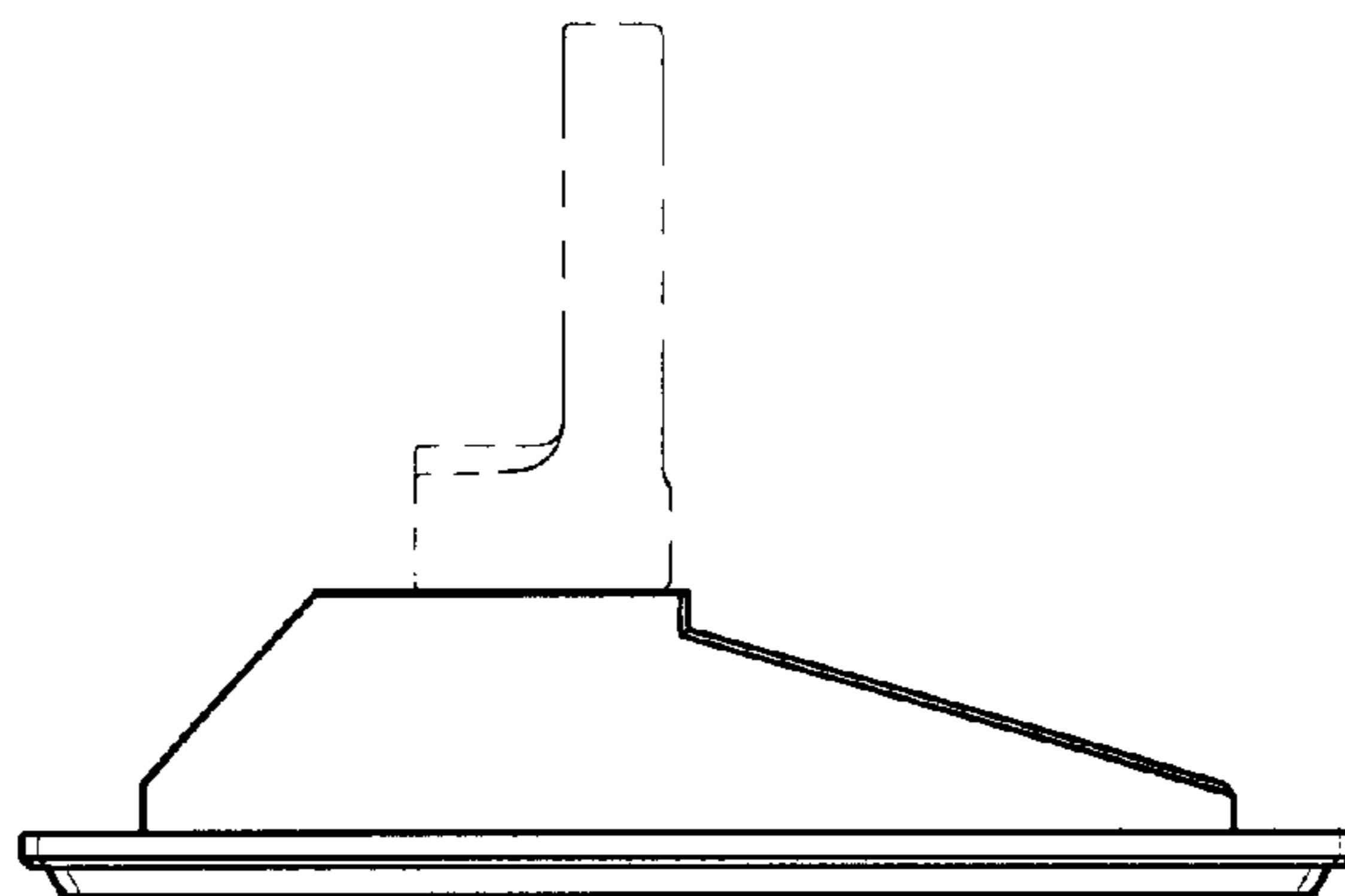


FIG. 4

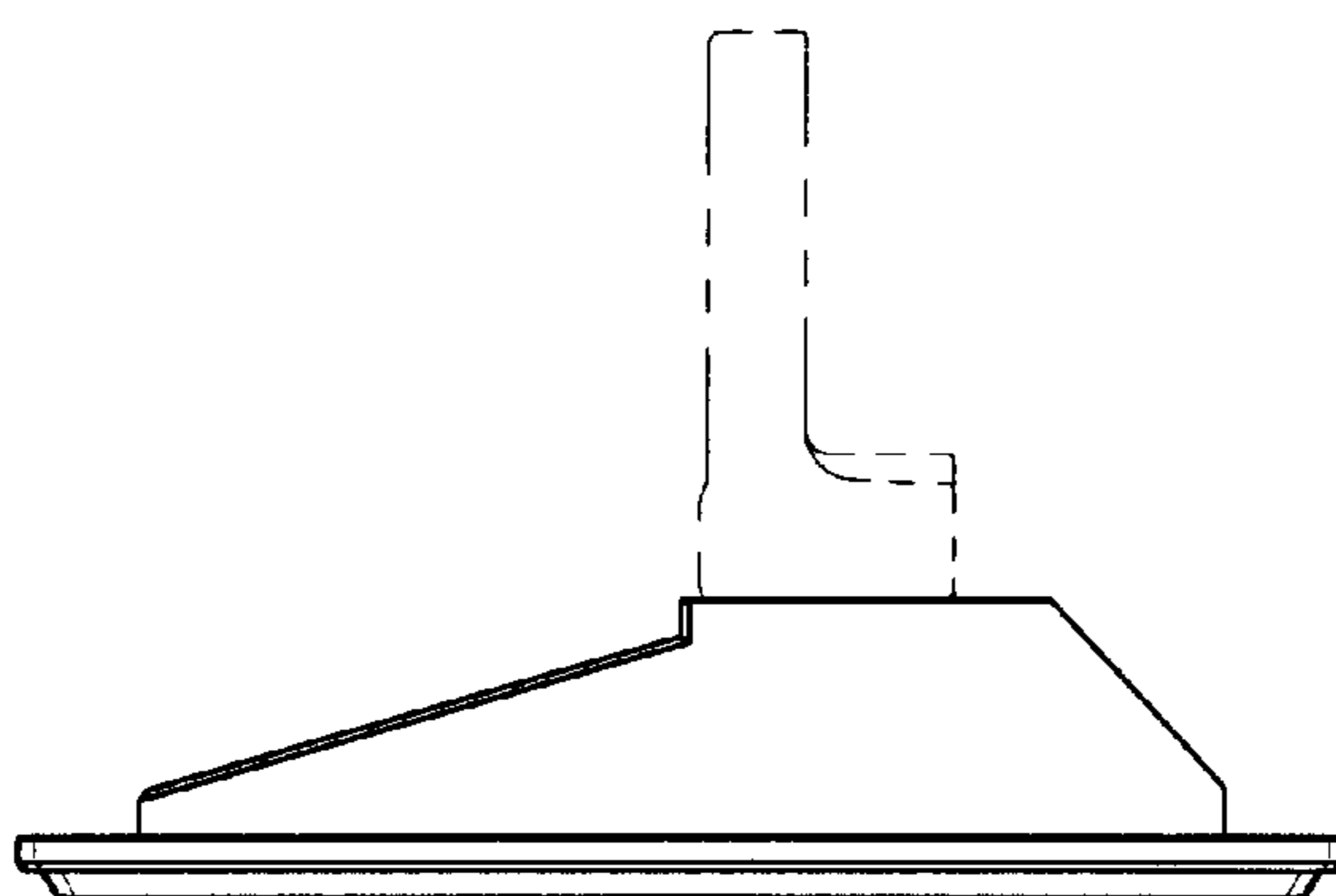


FIG. 5

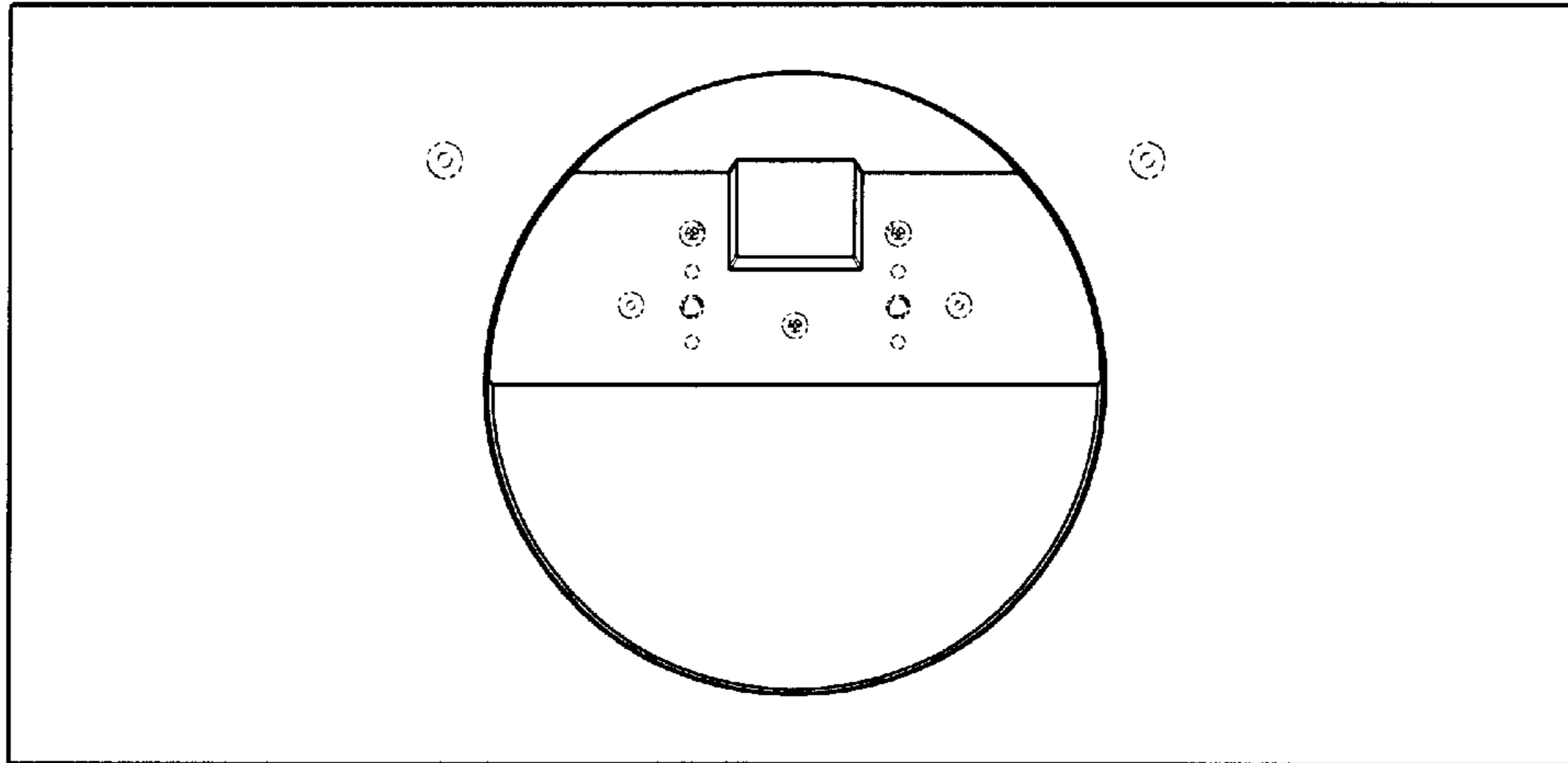


FIG. 6

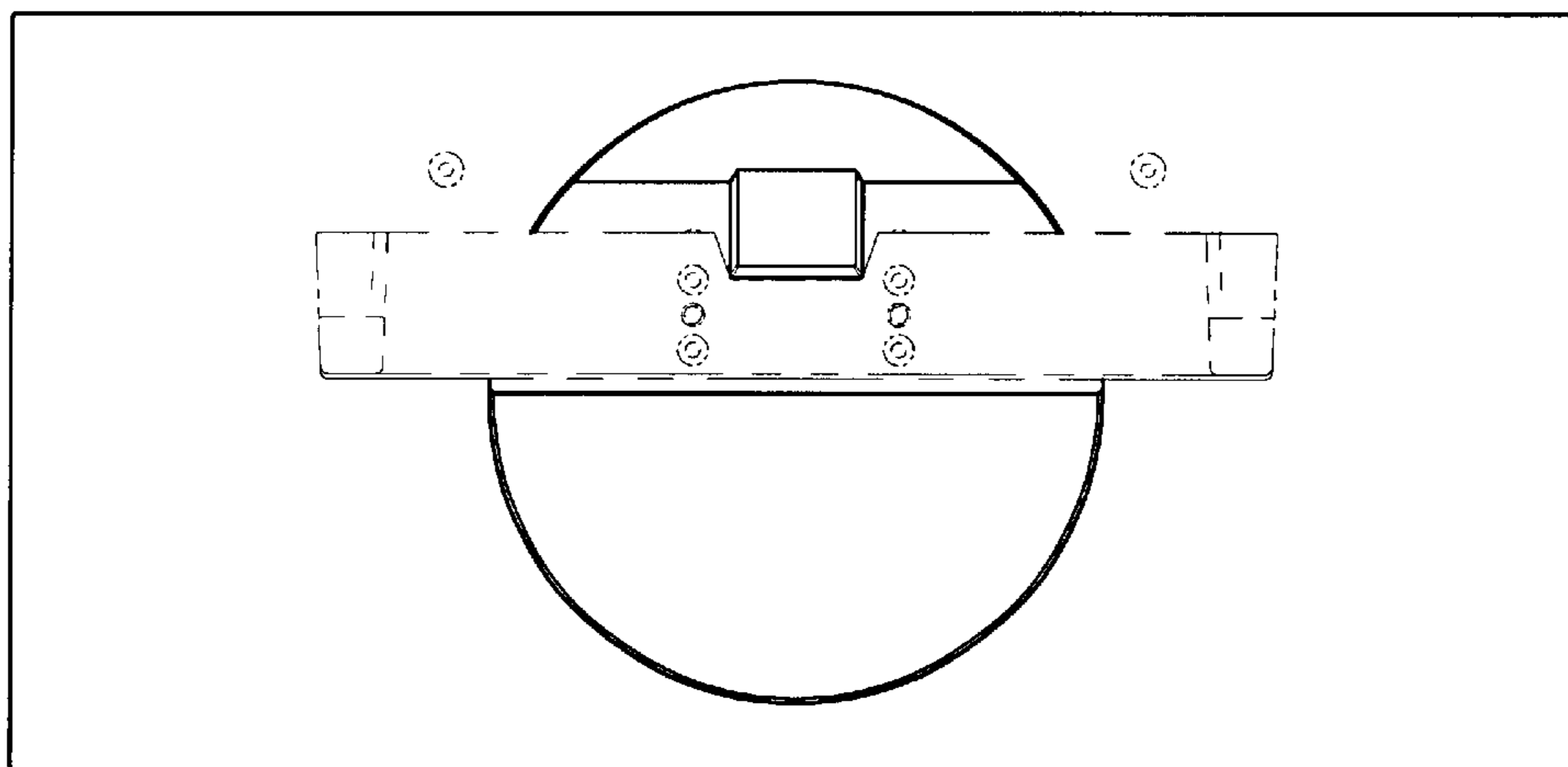


FIG. 7

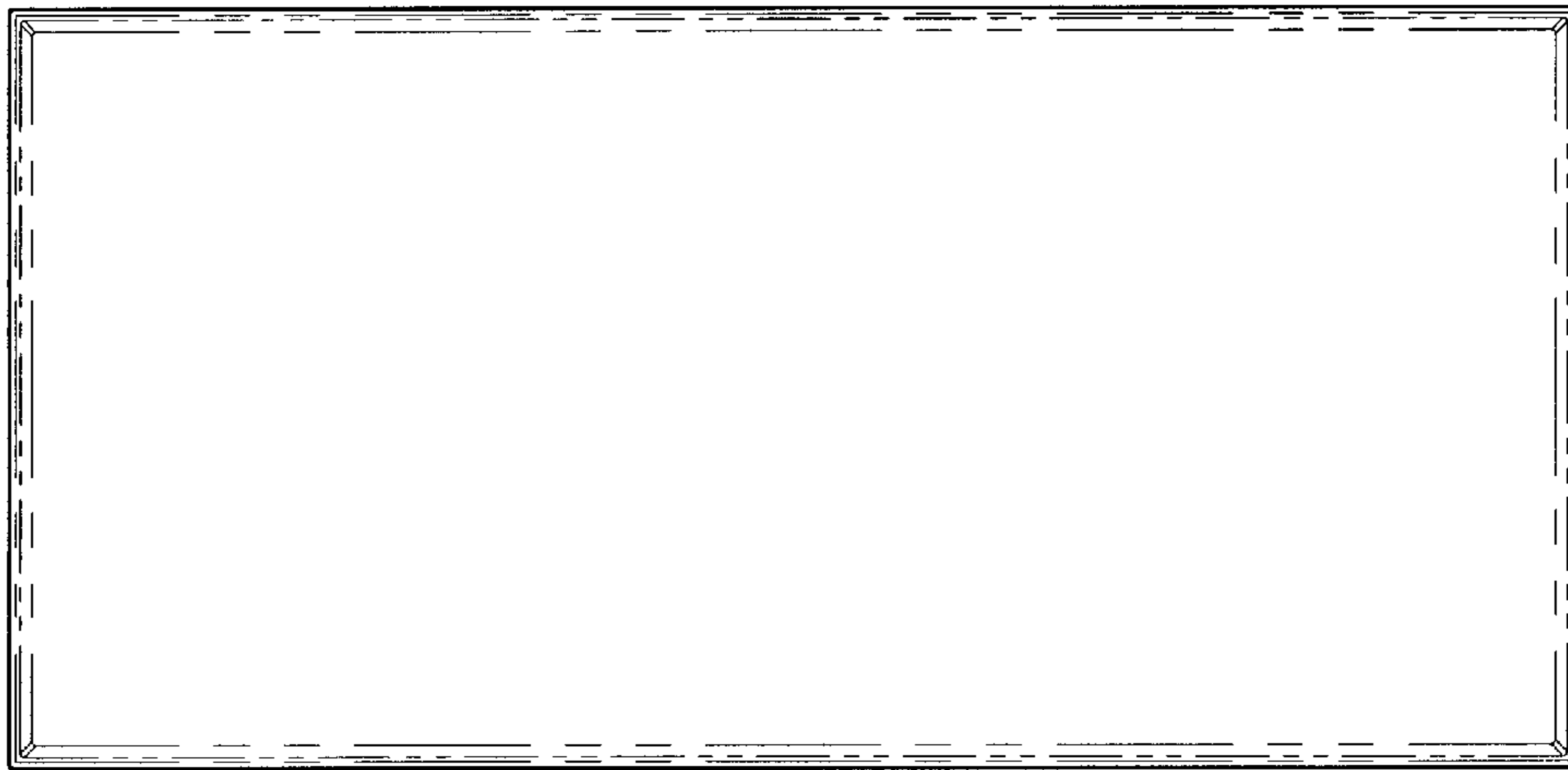


FIG. 8