



US00D533169S

(12) **United States Design Patent**
Lee et al.

(10) **Patent No.:** **US D533,169 S**
(45) **Date of Patent:** **** Dec. 5, 2006**

(54) **STAND FOR A PDP (PLASMA DISPLAY PANEL) TV**

(75) Inventors: **Jung Hoon Lee**, Seoul (KR); **Bo Deung Hwang**, Seoul (KR)

(73) Assignee: **LG Electronics Inc.**, Seoul (KR)

(**) Term: **14 Years**

(21) Appl. No.: **29/207,109**

(22) Filed: **Jun. 9, 2004**

(30) **Foreign Application Priority Data**

Dec. 10, 2003 (KR) 30-2003-0035201

(51) **LOC (8) Cl.** **14-03**

(52) **U.S. Cl.** **D14/239**

(58) **Field of Classification Search** D14/125-134,
D14/239, 371, 374-376; 312/7.2, 836, 838,
312/180, 184, 325, 739; 341/12; 248/917-924;
345/104, 133, 156, 168, 87, 173
See application file for complete search history.

(56) **References Cited**

U.S. PATENT DOCUMENTS

- 5,295,648 A * 3/1994 Hames 248/149
- D356,081 S * 3/1995 Naito et al. D14/129
- D356,555 S * 3/1995 Takemasa et al. D14/374
- D359,035 S * 6/1995 Shinano D14/375
- D378,051 S * 2/1997 Shinano D8/373
- D417,659 S * 12/1999 Takemasa D14/374
- D453,504 S * 2/2002 Bong et al. D14/126
- D458,236 S * 6/2002 Bong et al. D14/126
- D459,729 S * 7/2002 Goto D14/451

- D463,431 S * 9/2002 Yamamoto et al. D14/374
- D463,440 S * 9/2002 Oba D14/451
- 6,550,172 B1 * 4/2003 Korpai 40/725
- D483,726 S * 12/2003 Teng et al. D14/126

* cited by examiner

Primary Examiner—Raphael Barkai

Assistant Examiner—Randall H. Gholson

(74) *Attorney, Agent, or Firm*—Birch, Stewart, Kolasch, and Birch, LLP

(57) **CLAIM**

We claim the ornamental design for a stand for a PDP (plasma display panel) TV, as shown and described.

DESCRIPTION

FIG. 1 is a perspective view of the stand for a PDP (plasma display panel) TV showing the new design;
 FIG. 2 is a Front Elevation View thereof;
 FIG. 3 is a Rear Elevation View thereof;
 FIG. 4 is a Left-side Elevation View thereof;
 FIG. 5 is a Right-side Elevation View thereof;
 FIG. 6 is a Top Plan View thereof;
 FIG. 7 is a Bottom Plan View thereof;
 FIG. 8 is a Rear Perspective View thereof;
 FIG. 9 is a Right-side Elevation View showing this design article in use thereof; and,
 FIG. 10 is a Front Elevation View showing this design article in use thereof.

The broken line showing of a plasma display TV is for illustrative purposes only and forms no part of the claimed design.

1 Claim, 7 Drawing Sheets

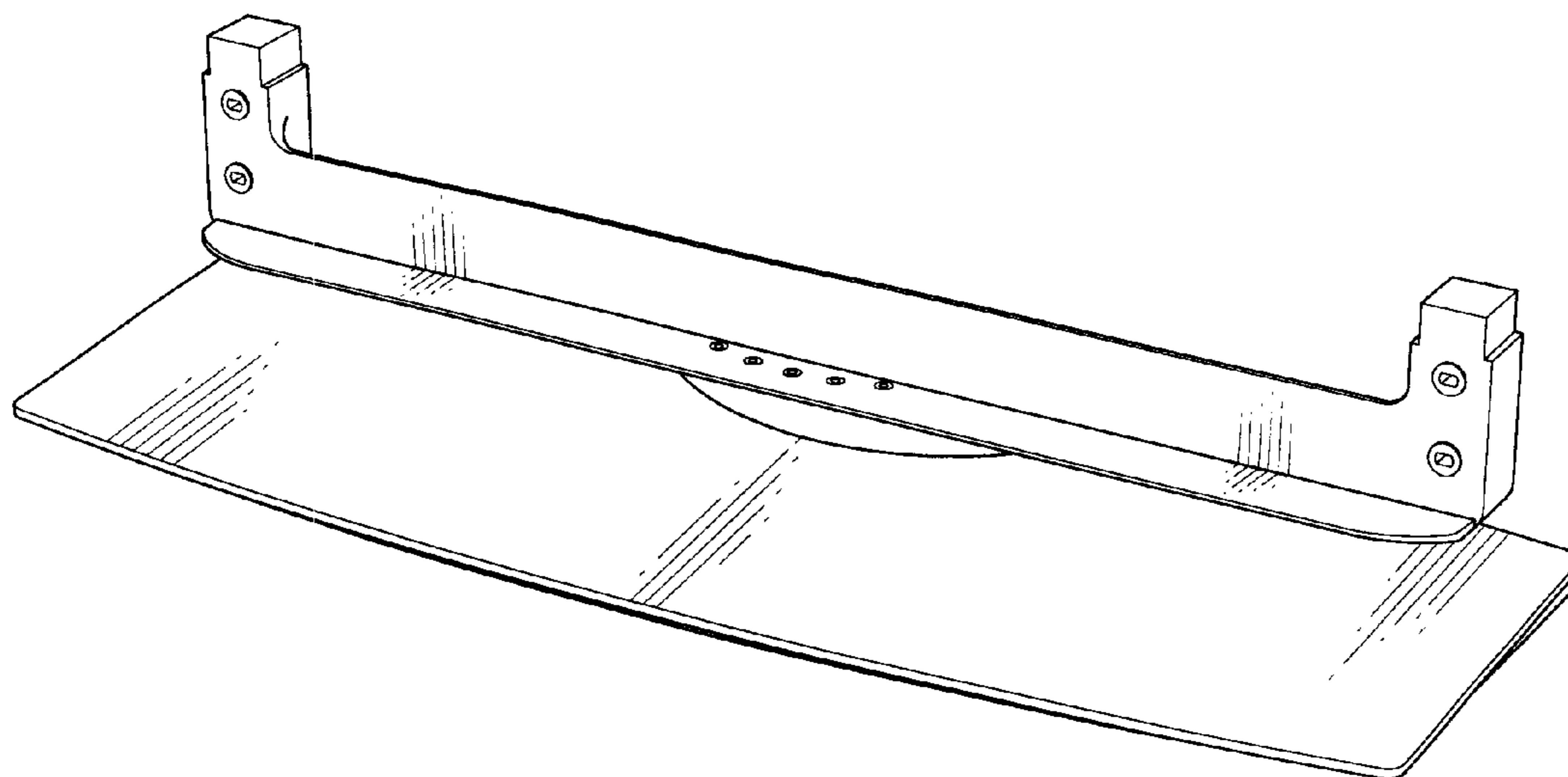


FIG. 1

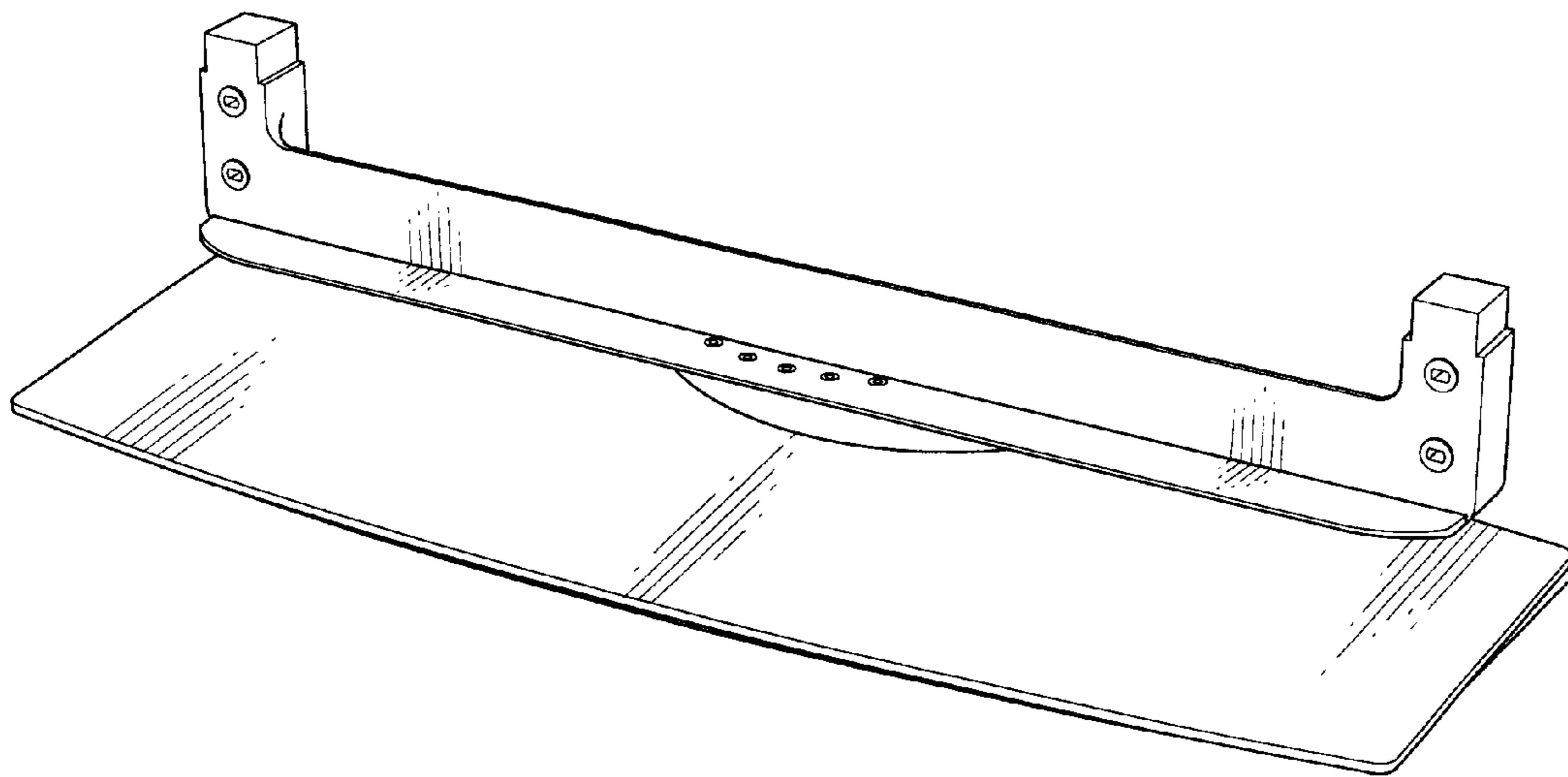


FIG. 2

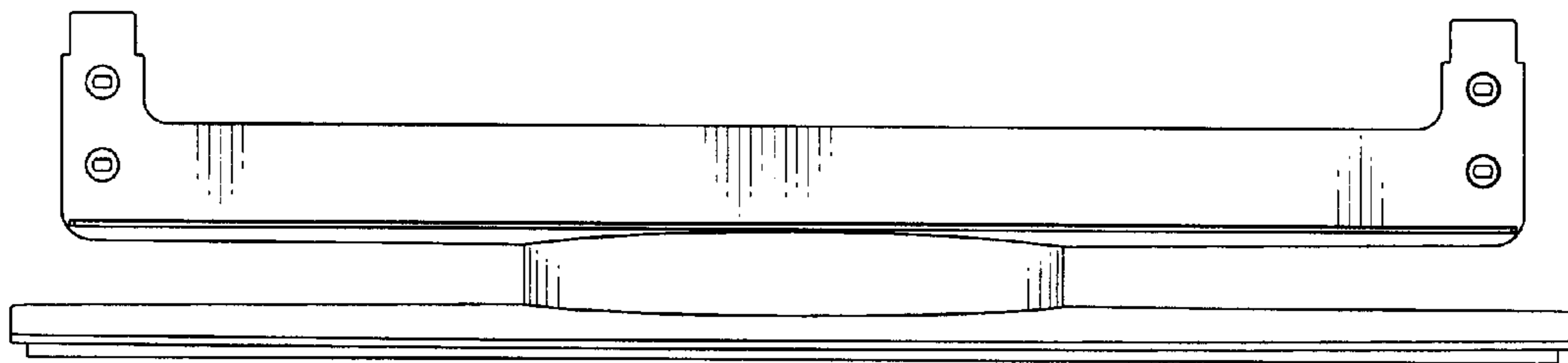


FIG. 3

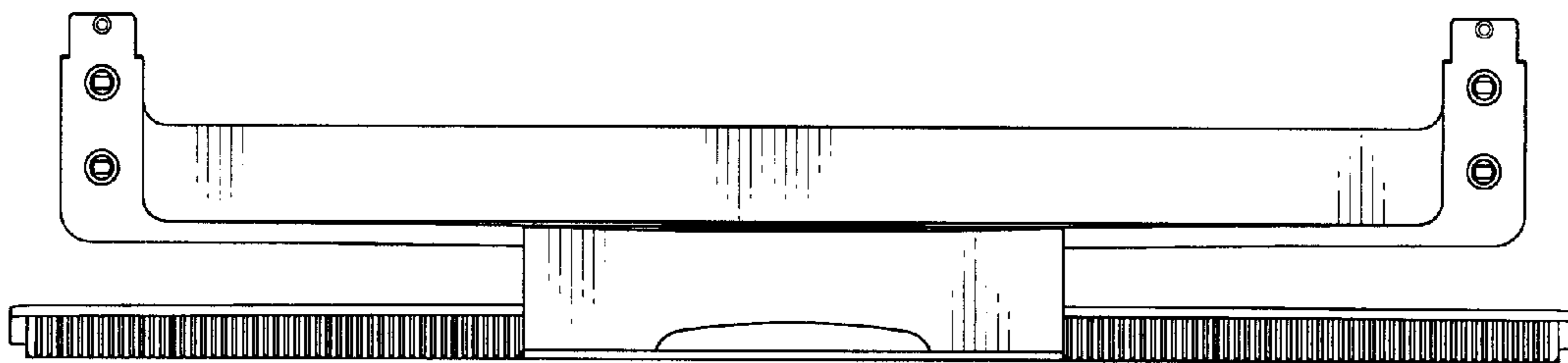


FIG. 4

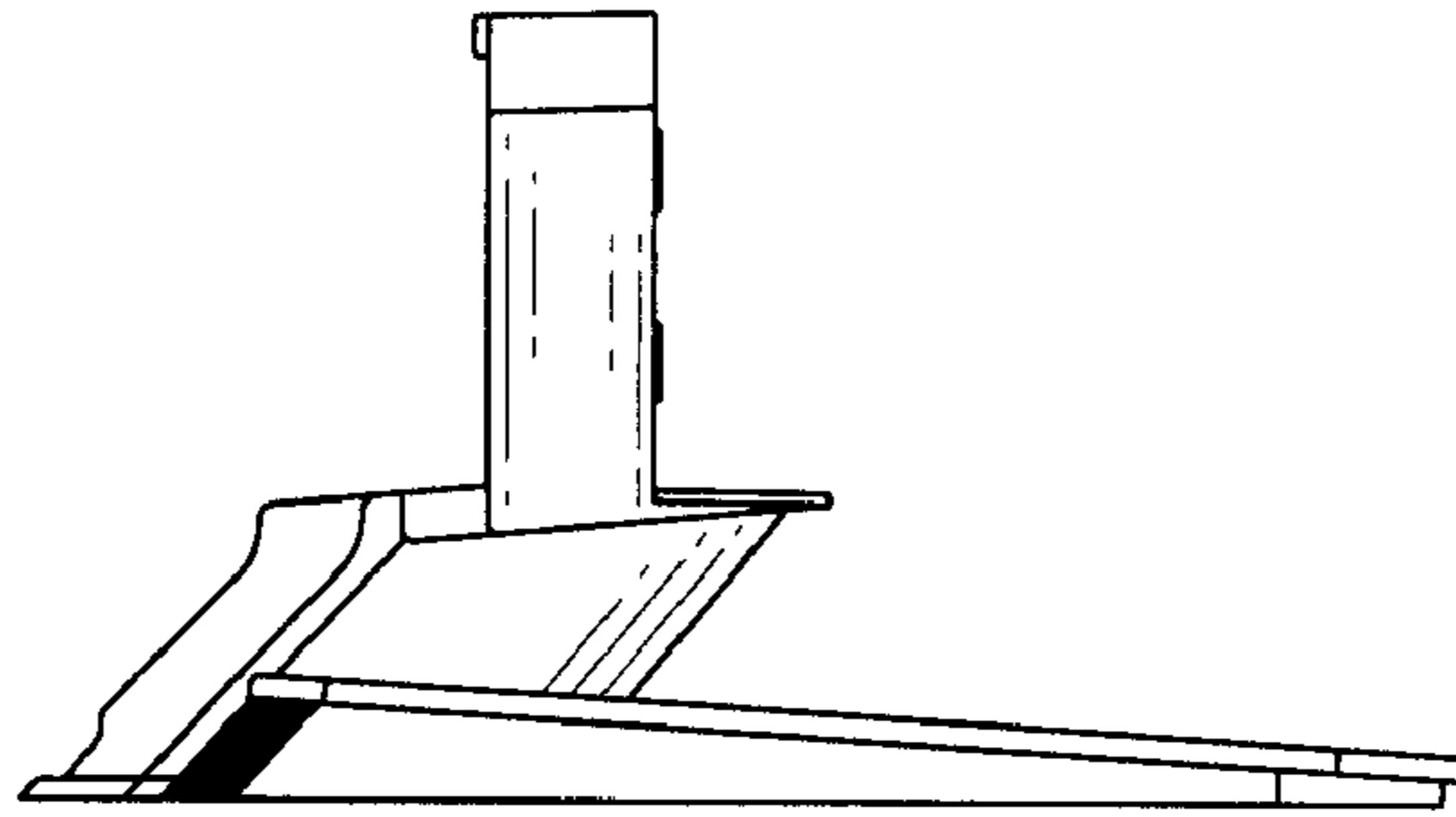


FIG. 5

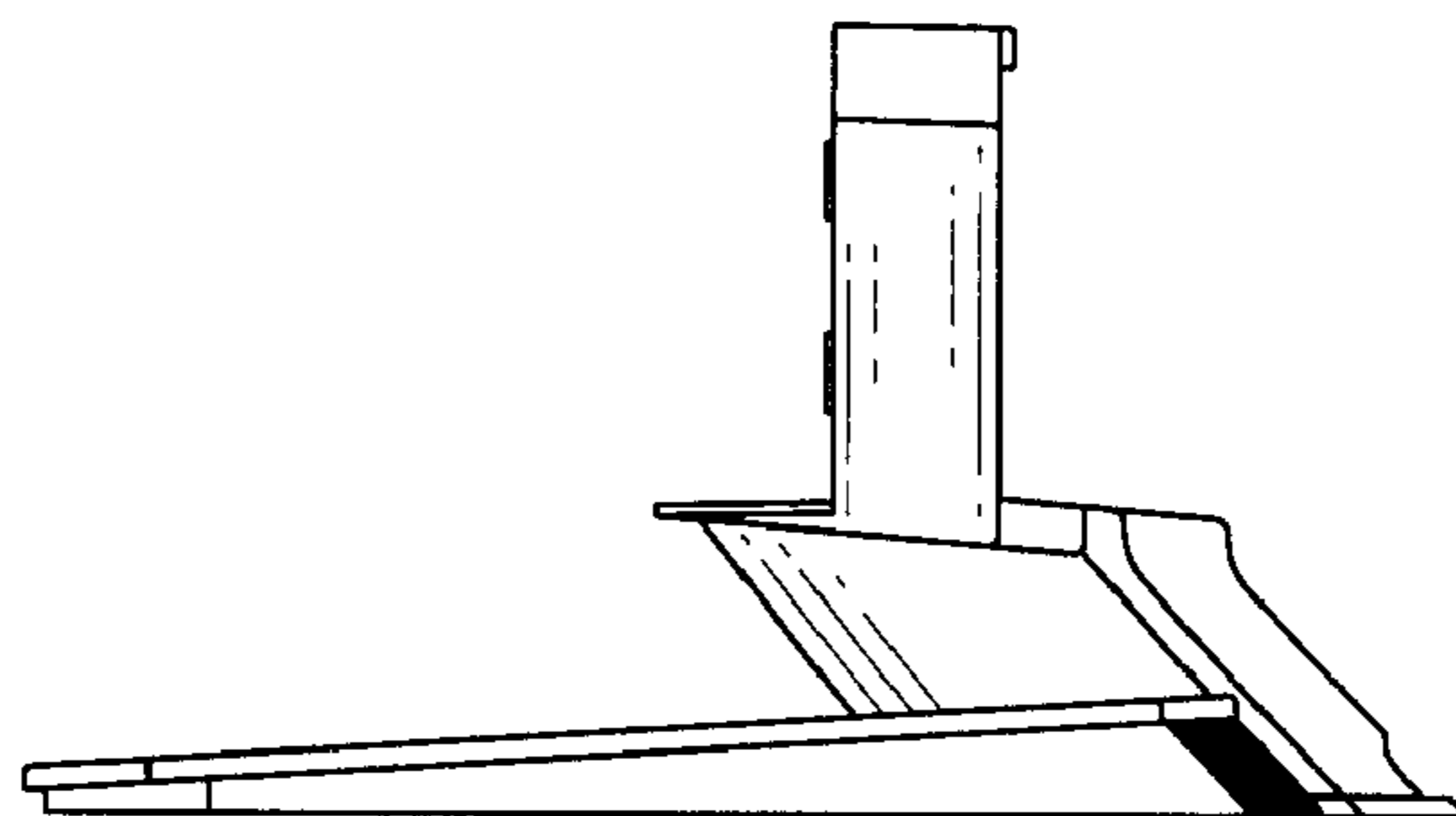


FIG. 6

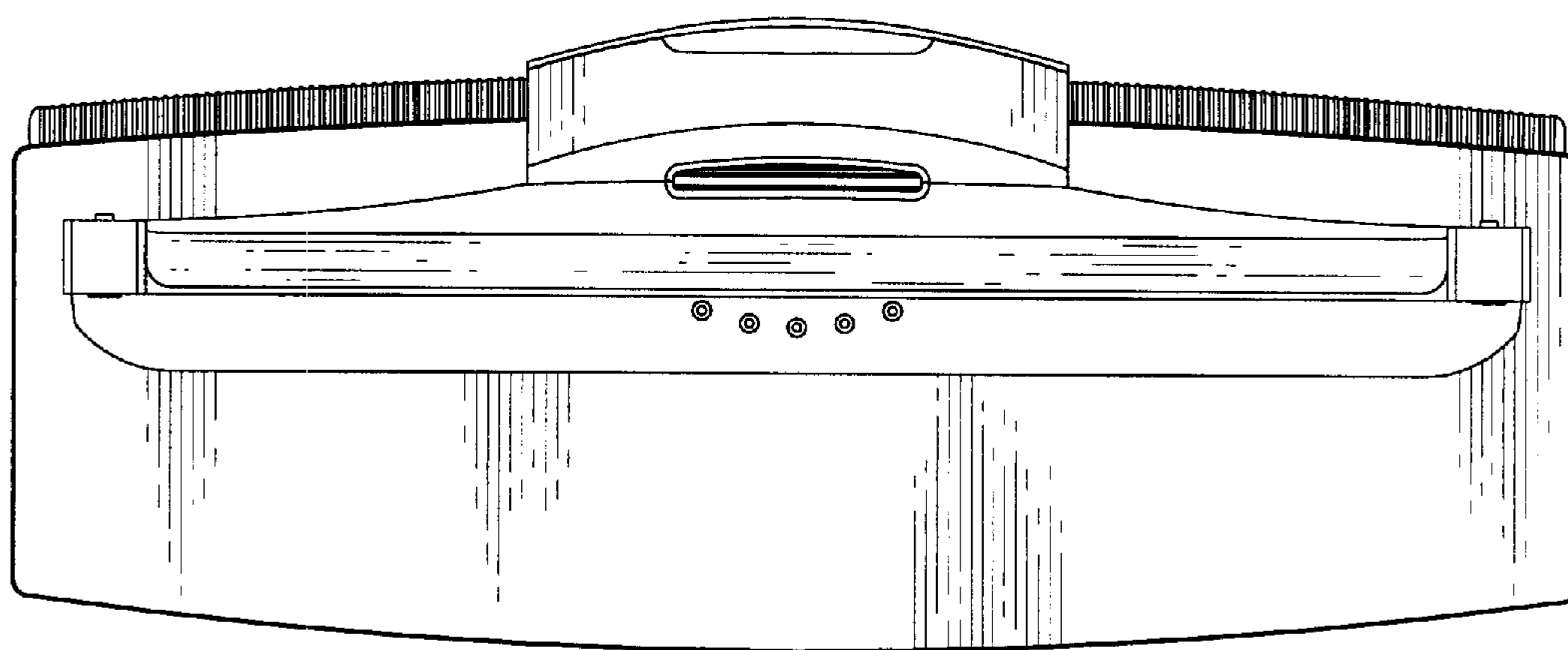


FIG. 7

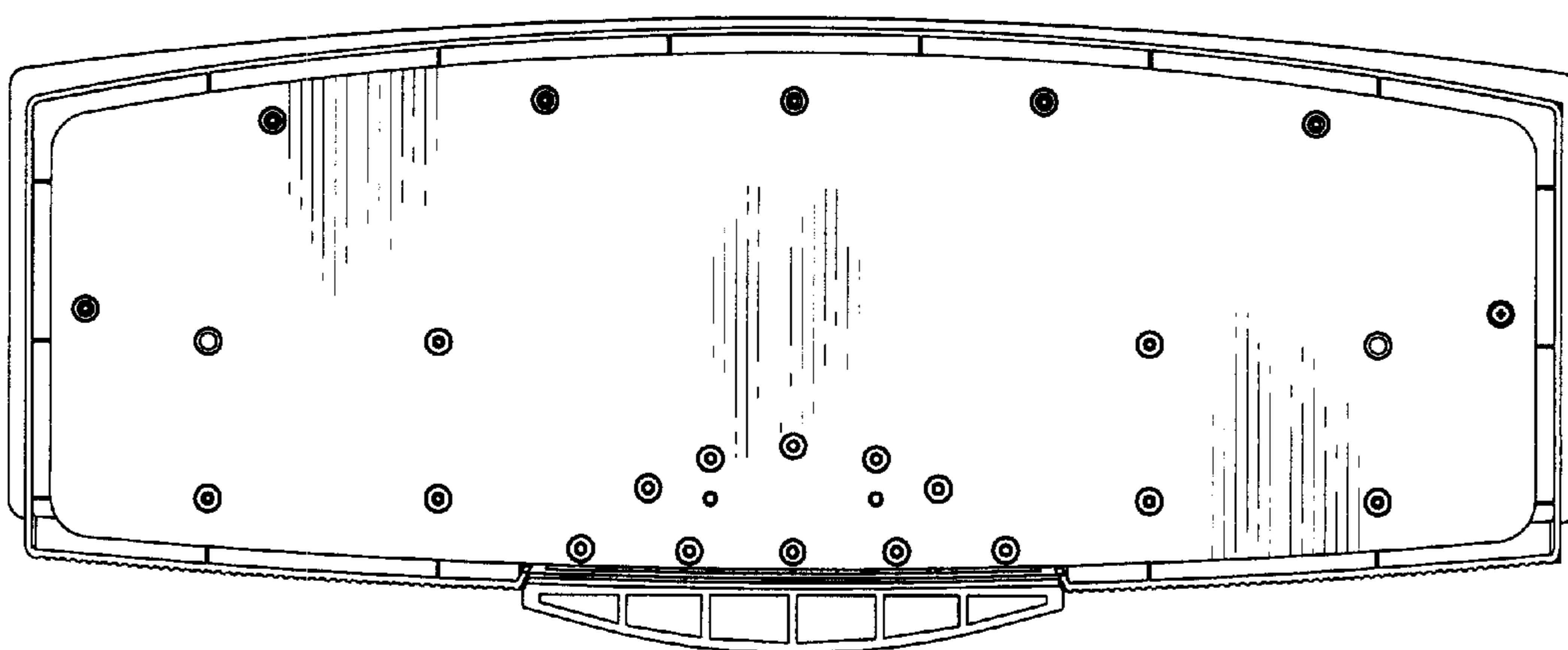


FIG. 8

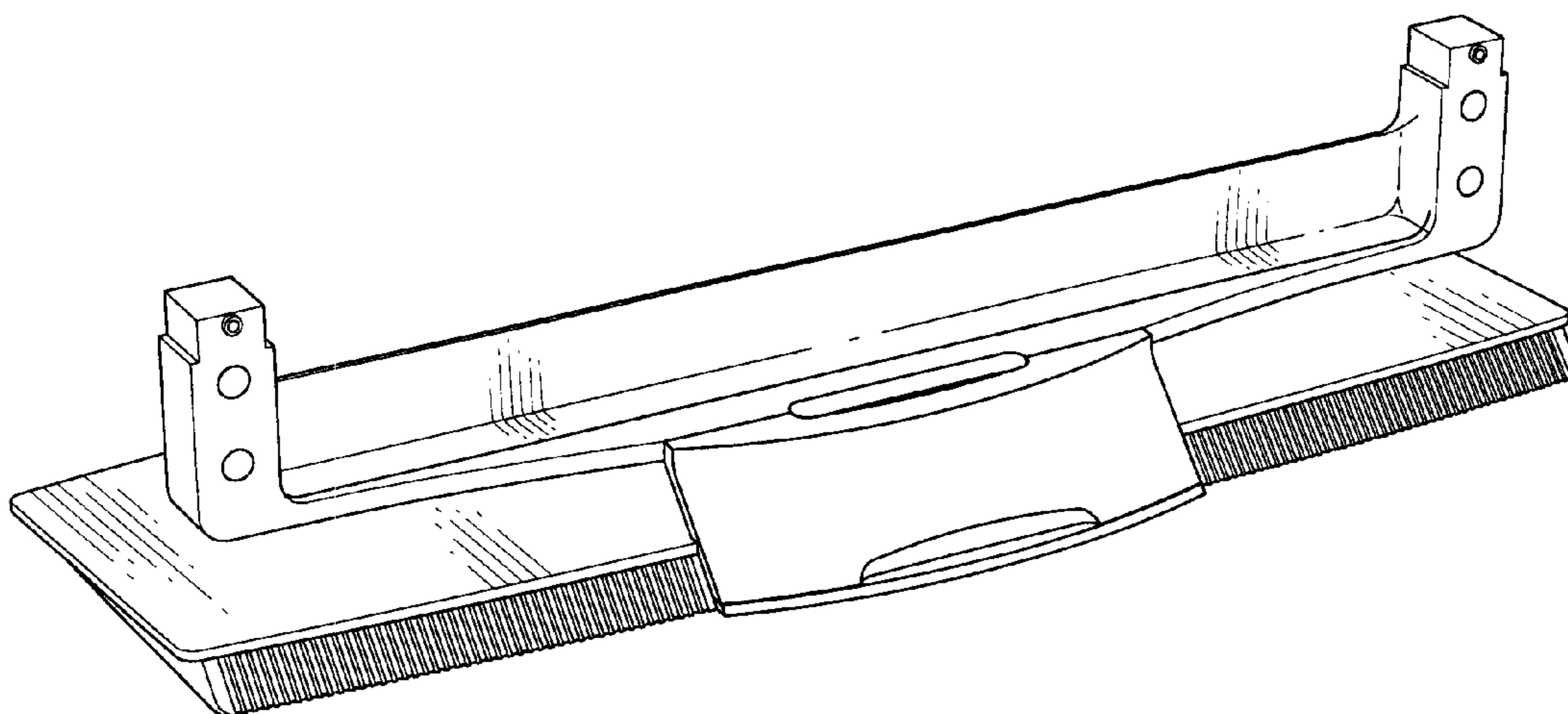


FIG. 9

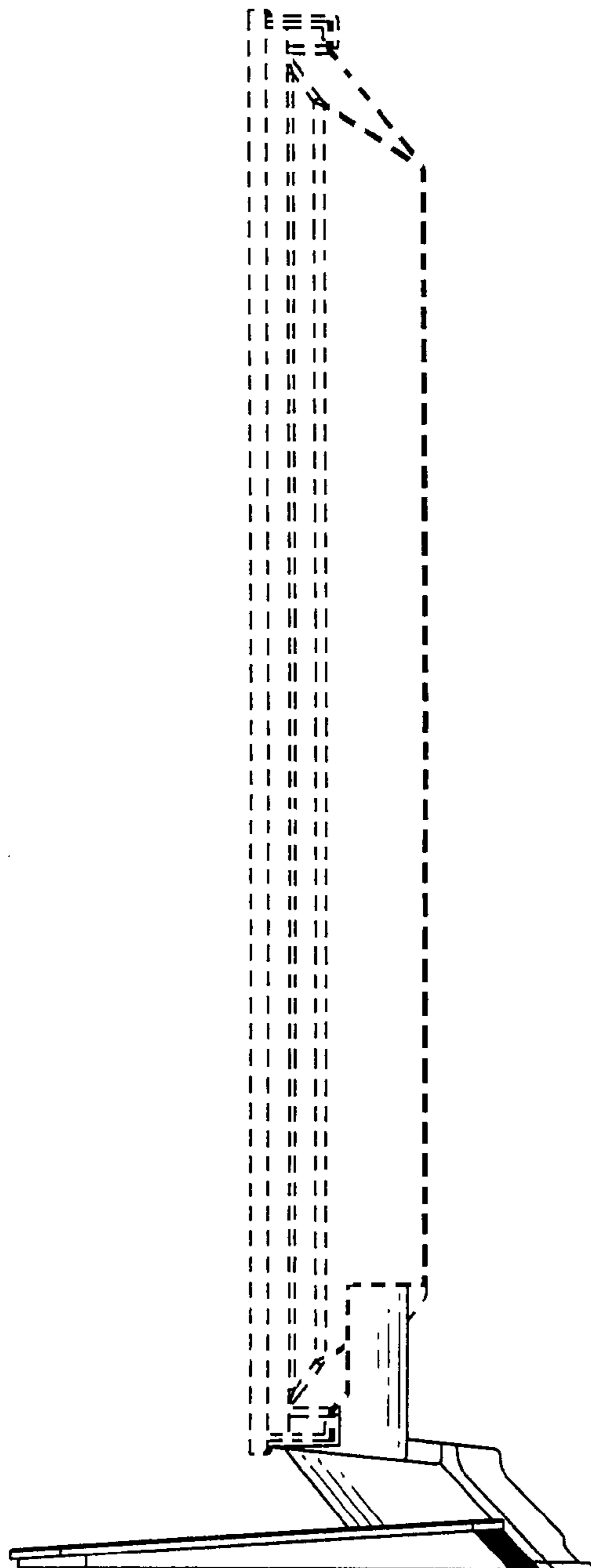


FIG. 10

