



US00D533157S

(12) **United States Design Patent** (10) **Patent No.:** **US D533,157 S**  
**Park** (45) **Date of Patent:** **\*\* Dec. 5, 2006**

(54) **SET TOP BOX**

D508,901 S \* 8/2005 Wu ..... D14/136

(75) Inventor: **Jung-Hyun Park**, Seoul (KR)

OTHER PUBLICATIONS

(73) Assignee: **Samsung Electronics Co., Ltd.**,  
Kyunggi-do (KR)

eCost.com catalog dated 2003 p. 31.\*  
U.S. Appl. No. 29/241,721, Applicants: Yun-Jin Park, et al.,  
filed Oct. 31, 2005 entitled Setop Box.

(\*\*) Term: **14 Years**

U.S. Appl. No. 29/241,720, Applicant: Jung-Hyun Park,  
filed Oct. 31, 2005 entitled A/V Receiver.

(21) Appl. No.: **29/241,752**

U.S. Appl. No. 29/241,753, Applicants: Yun-Jin Park, et al.,  
filed Oct. 31, 2005 entitled Setop Box.

(22) Filed: **Oct. 31, 2005**

U.S. Appl. No. 29/236,118, Applicants: Sang-Sung Woo, et  
al., filed Aug. 11, 2005 entitled Setop Box.

(51) **LOC (8) Cl.** ..... **14-03**

\* cited by examiner

(52) **U.S. Cl.** ..... **D14/126**

(58) **Field of Classification Search** ..... D14/125-134,  
D14/239, 371, 374-376, 135, 136, 492, 299,  
D14/356, 361-363, 365, 496; 312/7.2, 208.1-223.2;  
348/836, 838, 180, 184, 325, 739, 10, 460;  
341/12; 248/917-924; 345/104, 133, 156,  
345/168, 87; 361/690-696

*Primary Examiner*—Raphael Barkai  
*Assistant Examiner*—Randall H. Gholson  
(74) *Attorney, Agent, or Firm*—Flynn, Thiel, Boutell &  
Tanis, P.C.

See application file for complete search history.

(57) **CLAIM**

The ornamental design for a set top box, as shown and  
described.

(56) **References Cited**

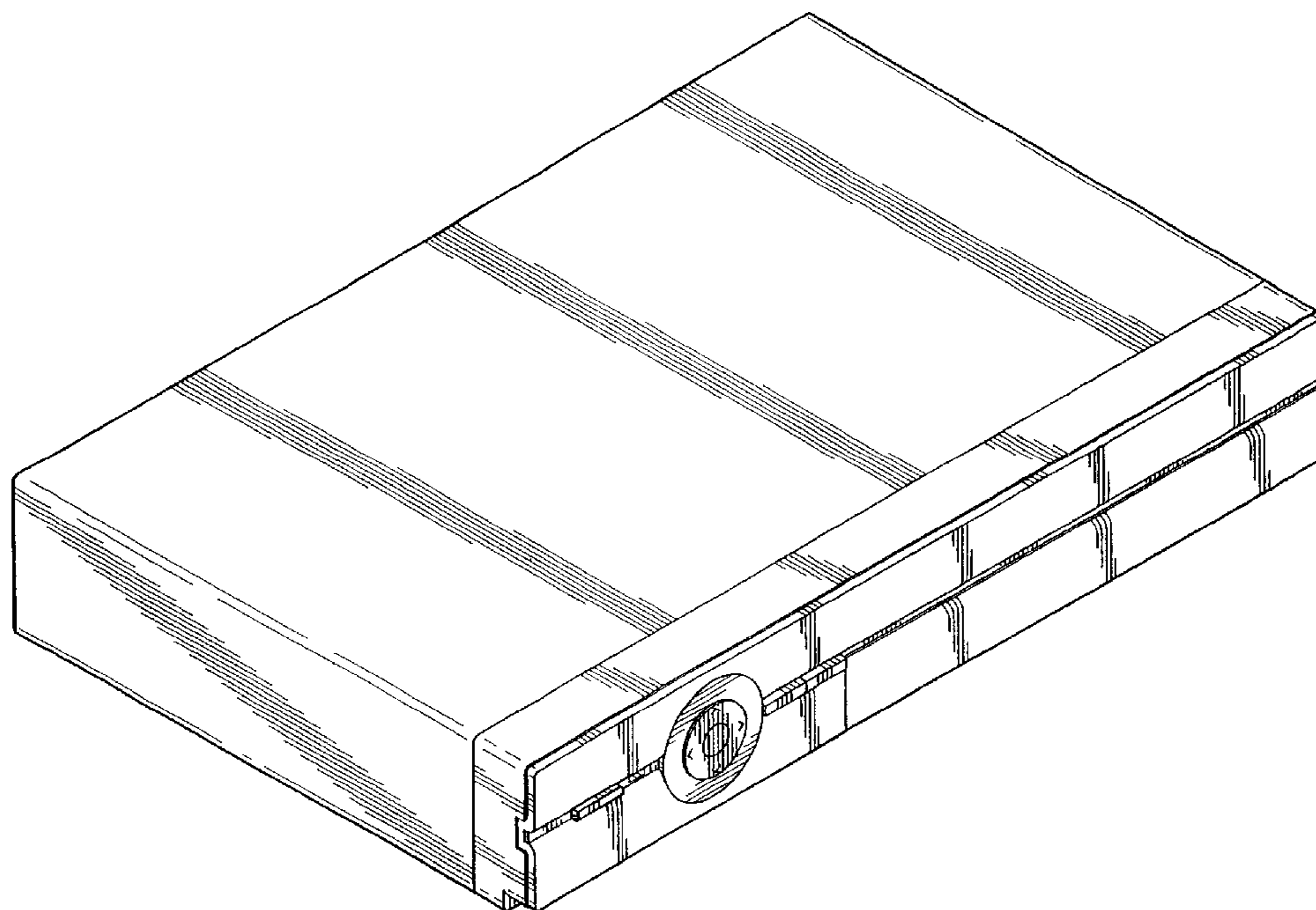
**DESCRIPTION**

U.S. PATENT DOCUMENTS

D307,910 S	*	5/1990	Tominaga et al.	.....	D14/299
D344,507 S	*	2/1994	Ryu	.....	D14/135
D345,970 S	*	4/1994	Kawamoto	.....	D14/125
D347,631 S	*	6/1994	Terleski	.....	D14/125
D355,197 S	*	2/1995	Farinelli et al.	.....	D14/257
D368,088 S	*	3/1996	Cha	.....	D14/135
D390,217 S	*	2/1998	Prstojevich et al.	.....	D14/125
D393,637 S	*	4/1998	Franek	.....	D14/125
D412,905 S	*	8/1999	Miyazaki et al.	.....	D14/156
D426,212 S	*	6/2000	Storti et al.	.....	D14/432

FIG. 1 is a top front perspective view of a set top box  
showing our new design;  
FIG. 2 is a front elevational view thereof;  
FIG. 3 is a rear elevational view thereof;  
FIG. 4 is a left side elevational view thereof;  
FIG. 5 is a right side elevational view thereof;  
FIG. 6 is a top plan view thereof; and,  
FIG. 7 is a bottom plan view.

**1 Claim, 4 Drawing Sheets**



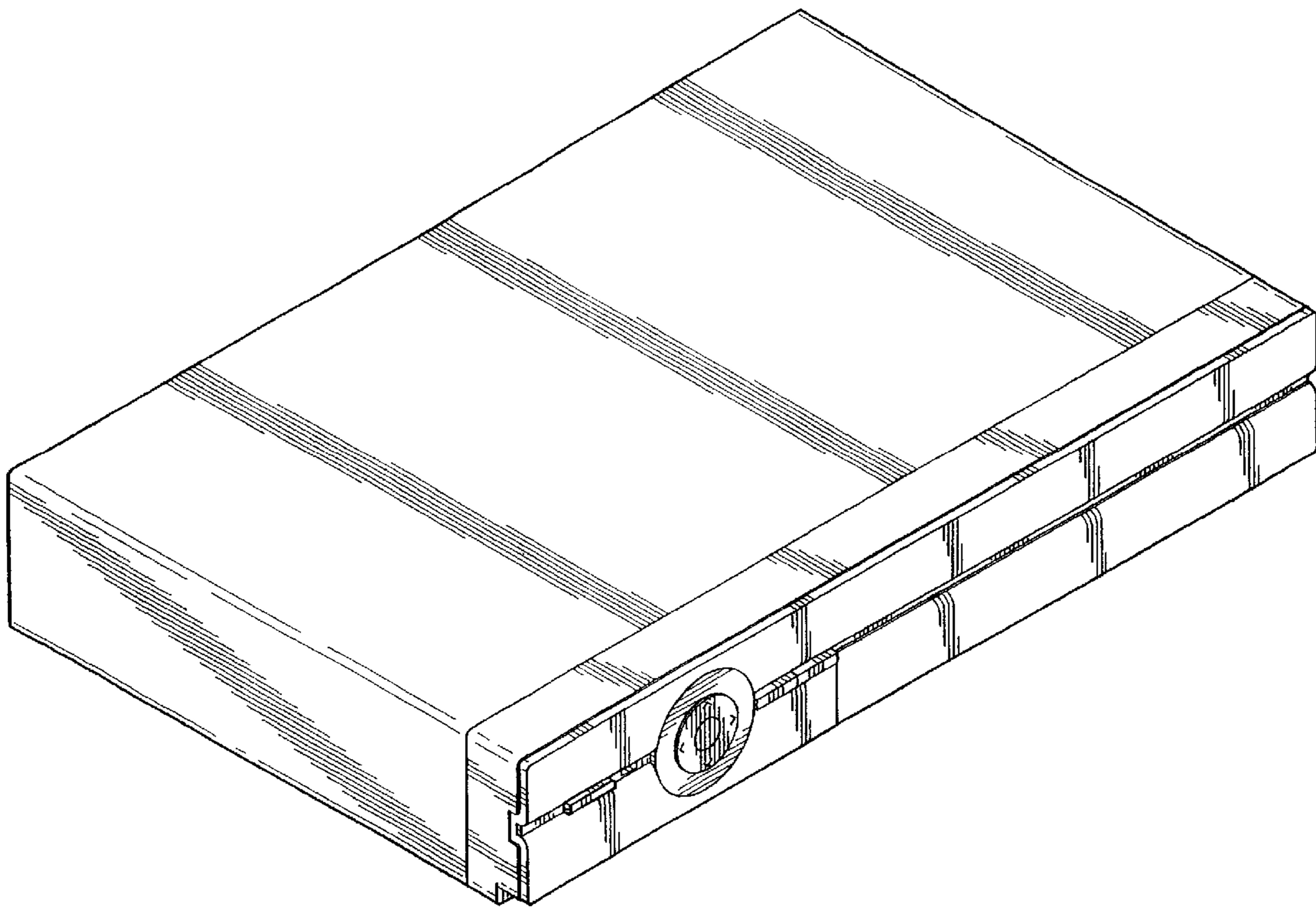


FIG. 1

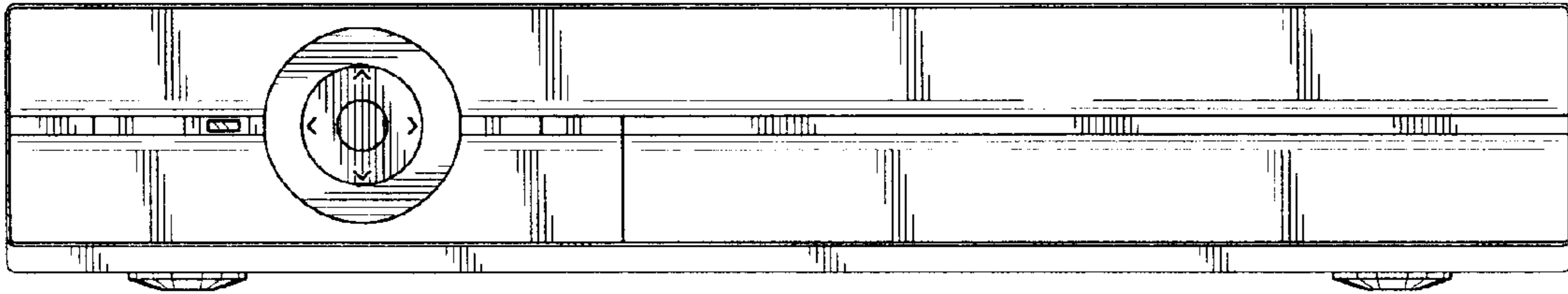


FIG. 2

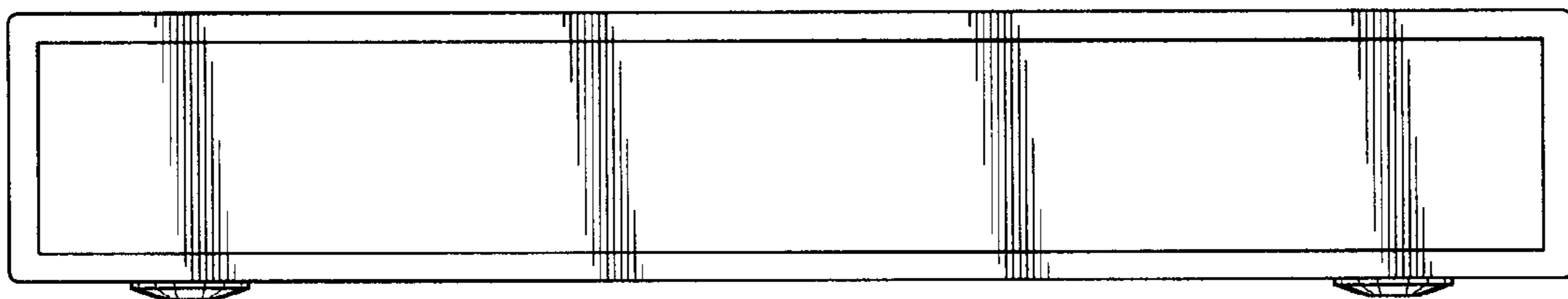


FIG. 3

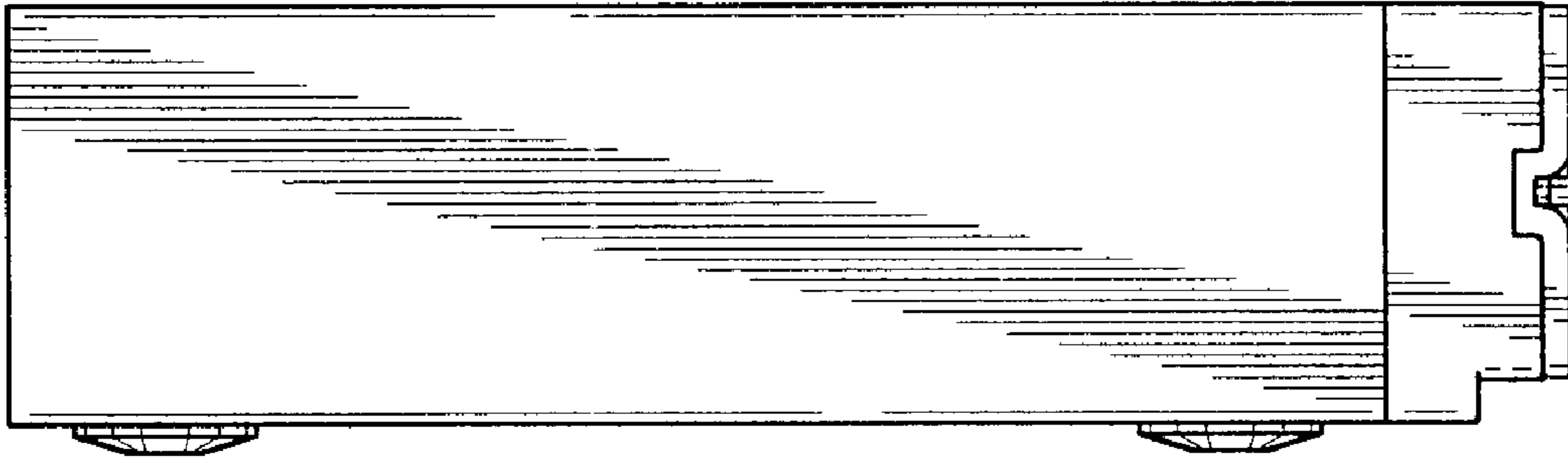


FIG. 4

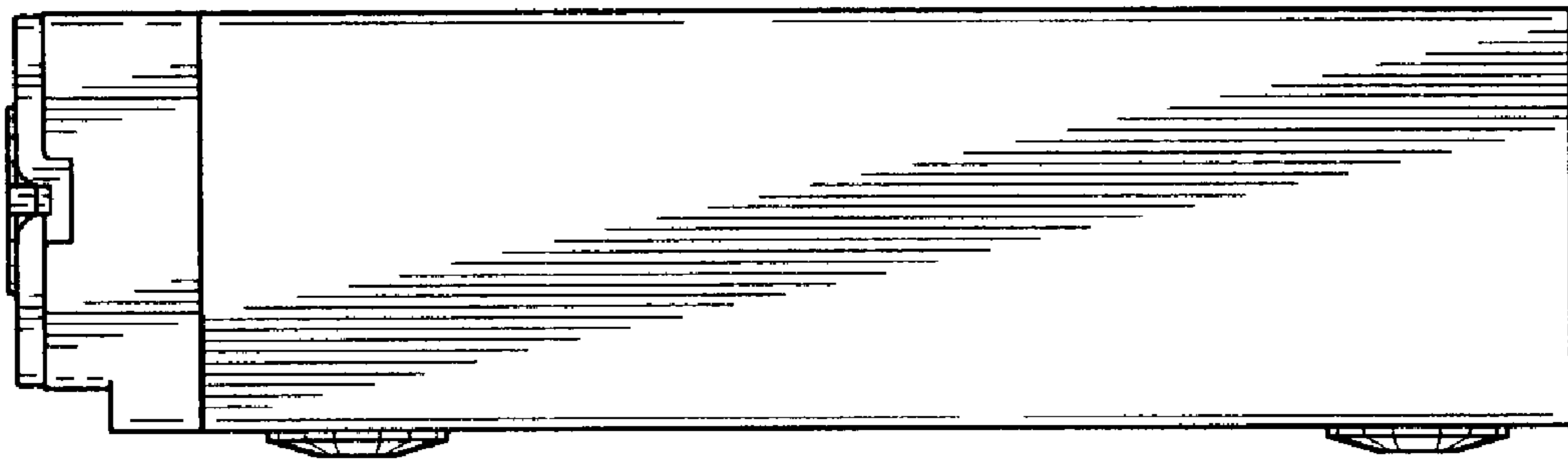


FIG. 5



FIG. 6

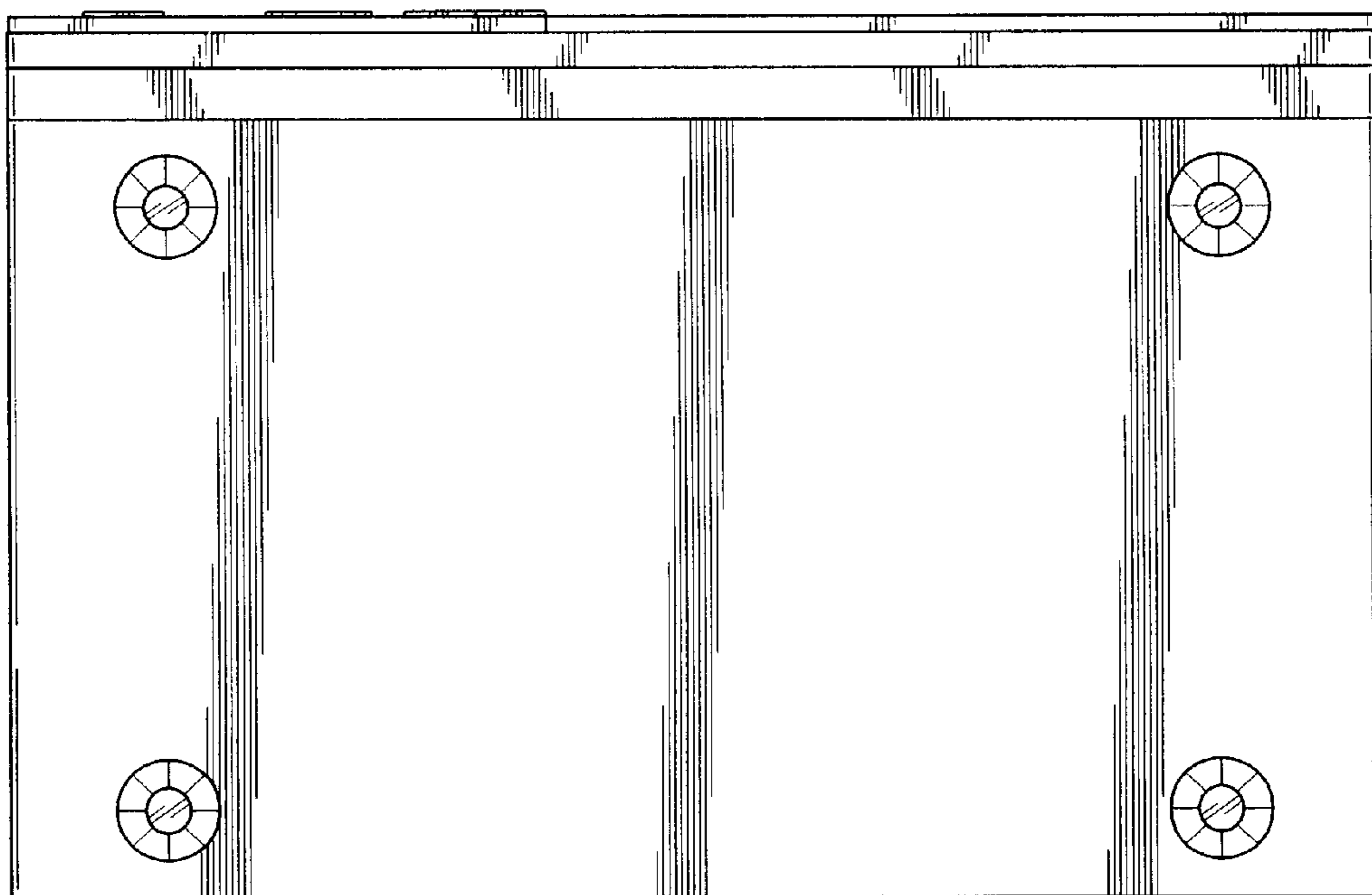


FIG. 7