



US00D533155S

(12) **United States Design Patent**
Nakata

(10) **Patent No.:** **US D533,155 S**

(45) **Date of Patent:** **** Dec. 5, 2006**

(54) **TELEVISION SET**

(75) Inventor: **Kazuyuki Nakata**, Tokyo (JP)

(73) Assignee: **Hannspree, Inc.**, Taipei (TW)

(**) Term: **14 Years**

(21) Appl. No.: **29/241,644**

(22) Filed: **Oct. 31, 2005**

(30) **Foreign Application Priority Data**

Jun. 10, 2005 (TW) 94303487

(51) **LOC (8) Cl.** **14-03**

(52) **U.S. Cl.** **D14/126**

(58) **Field of Classification Search** D14/125-134,
D14/239, 371, 136, 374-377; 312/7.2; 348/836,
348/838, 180, 184, 325, 739; 341/12; 248/917-924,
248/465; 345/104, 133, 156, 168, 87, 173;
720/605, 669, 600, 655; 369/99, 197; 455/344-347
See application file for complete search history.

(56) **References Cited**

U.S. PATENT DOCUMENTS

D407,074 S * 3/1999 Lee D14/375

D421,600 S * 3/2000 Chou D14/375
D456,405 S * 4/2002 Neal et al. D14/374
D491,901 S * 6/2004 Chin et al. D14/126
D501,653 S * 2/2005 Lewis D14/126

* cited by examiner

Primary Examiner—Raphael Barkai

(74) *Attorney, Agent, or Firm*—Birch, Stewart, Kolasch & Birch, LLP

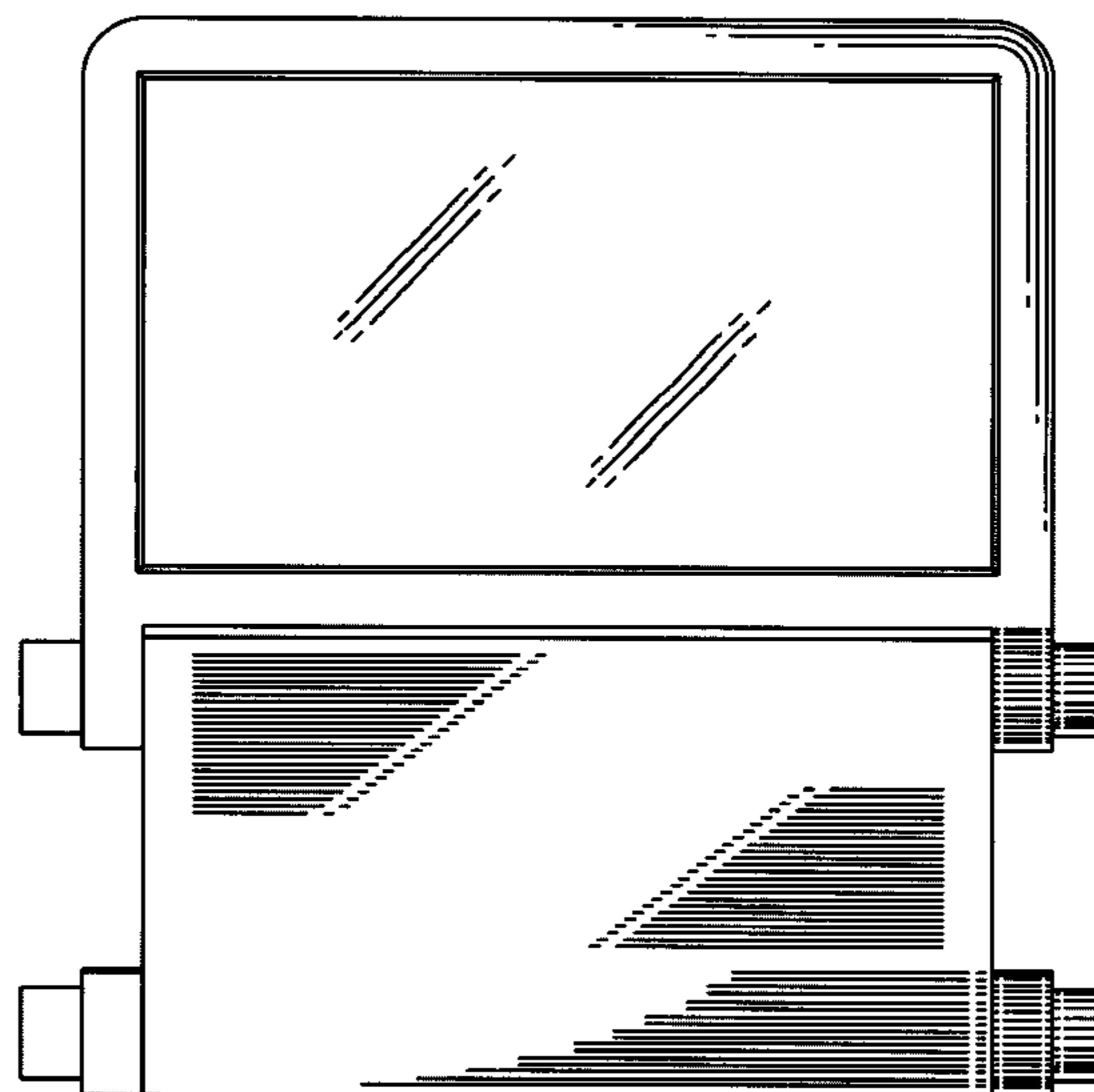
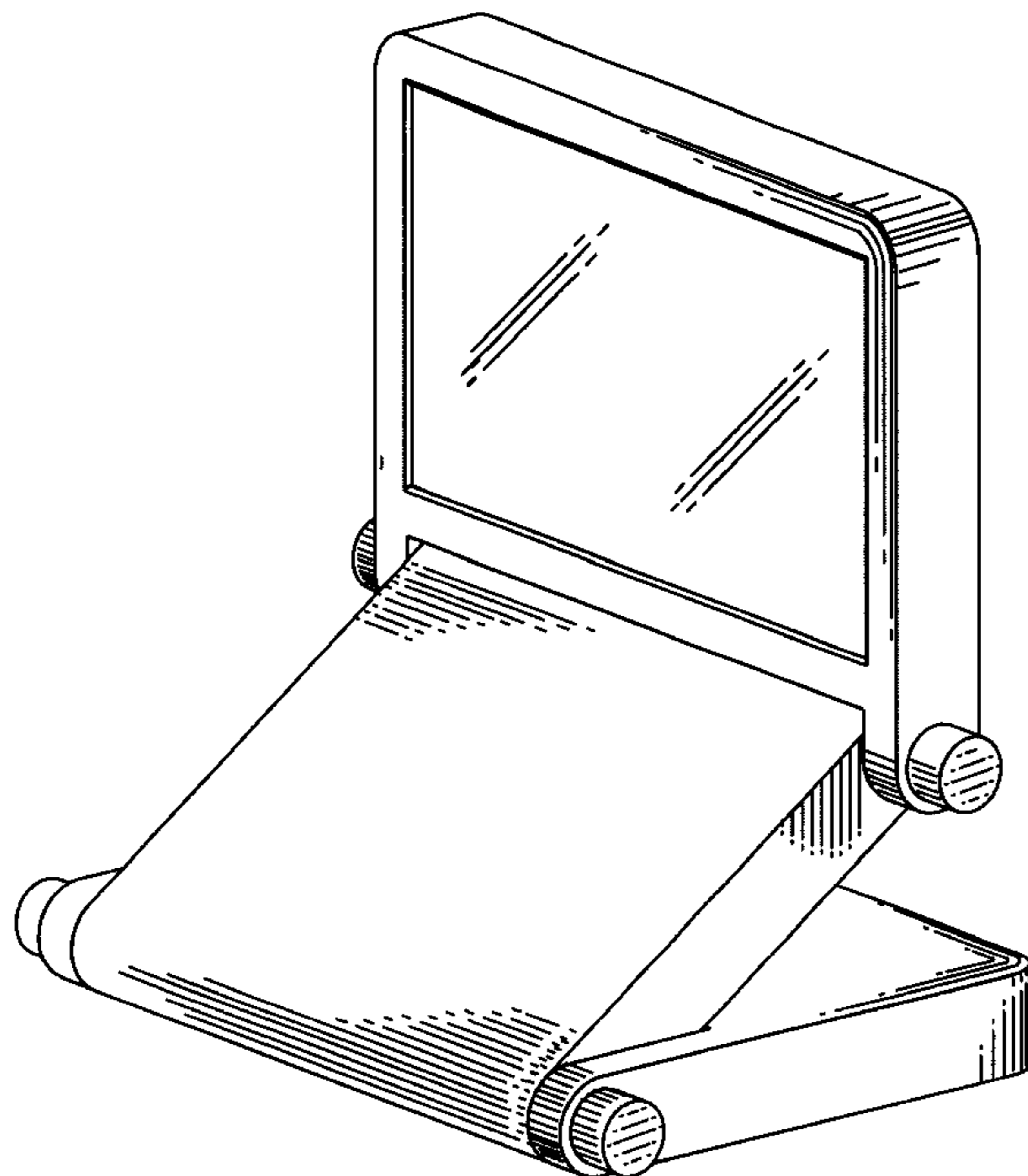
(57) **CLAIM**

The ornamental design for a television set, as shown and described.

DESCRIPTION

FIG. 1 is a front perspective view thereof;
FIG. 2 is a front elevational view thereof;
FIG. 3 is a rear elevational view thereof;
FIG. 4 is a left side elevational view thereof;
FIG. 5 is a right side elevational view thereof;
FIG. 6 is a top plan view thereof; and,
FIG. 7 is a bottom plan view thereof.

1 Claim, 7 Drawing Sheets



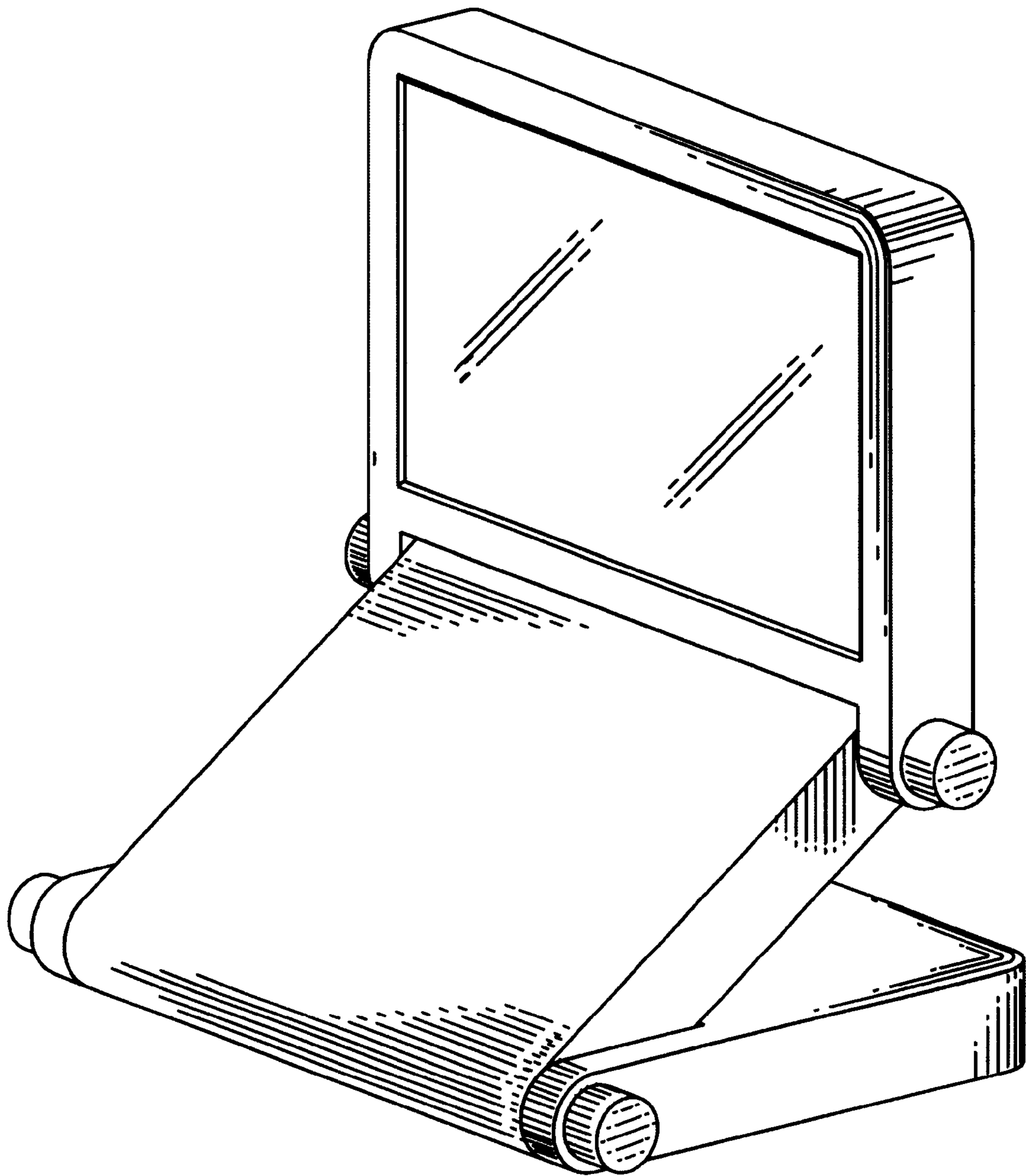


FIG. 1

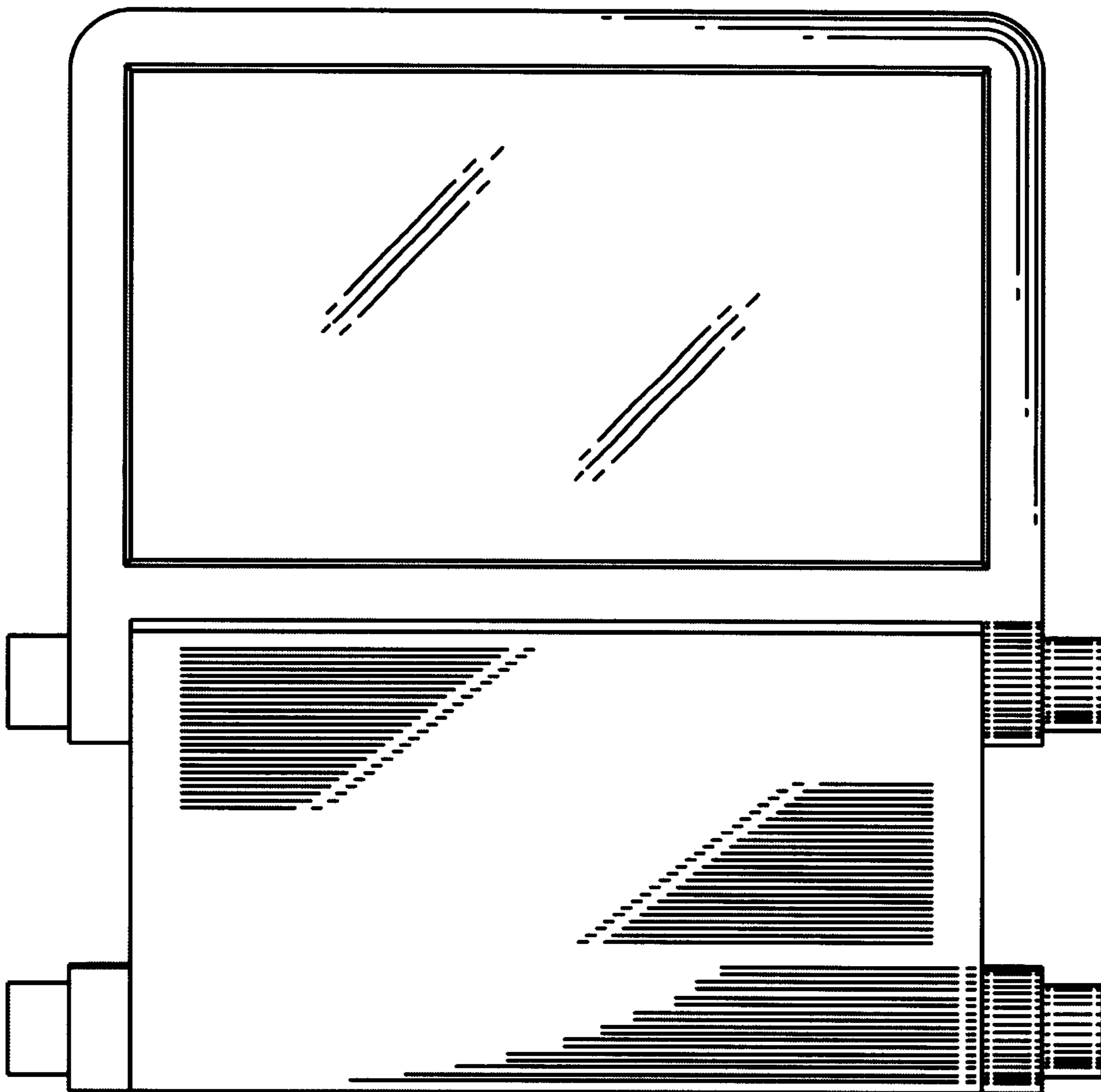


FIG. 2

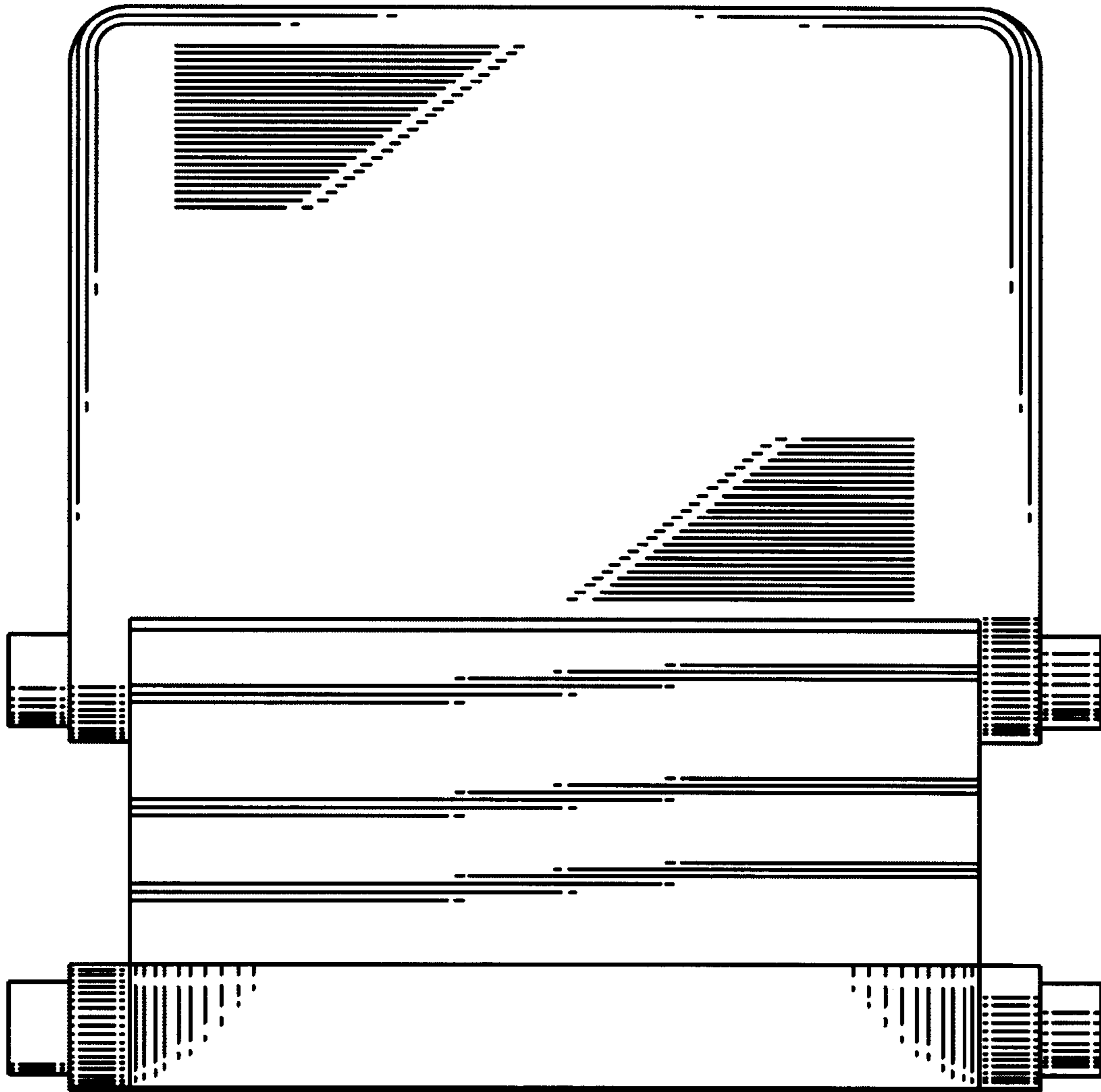


FIG. 3

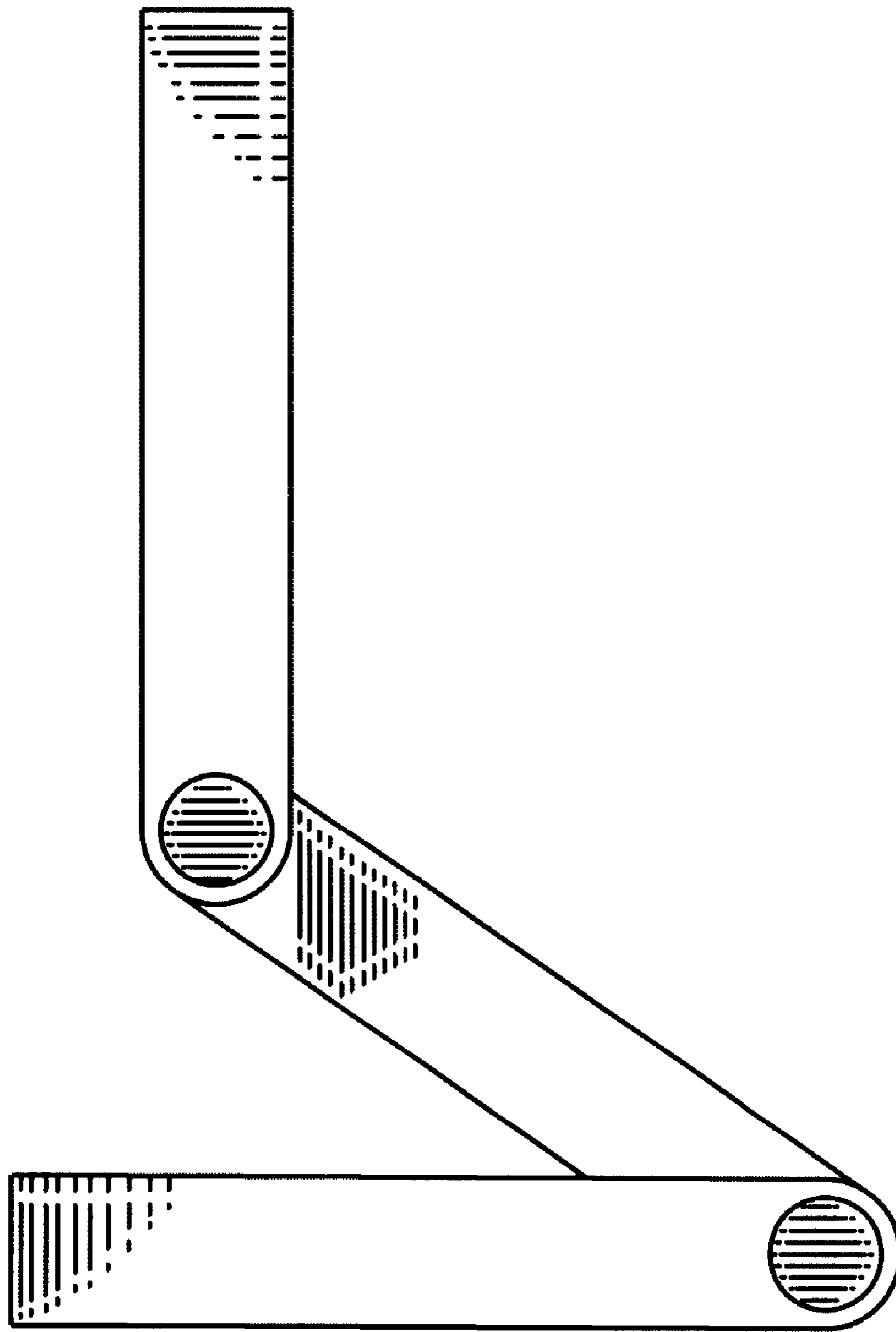


FIG. 4

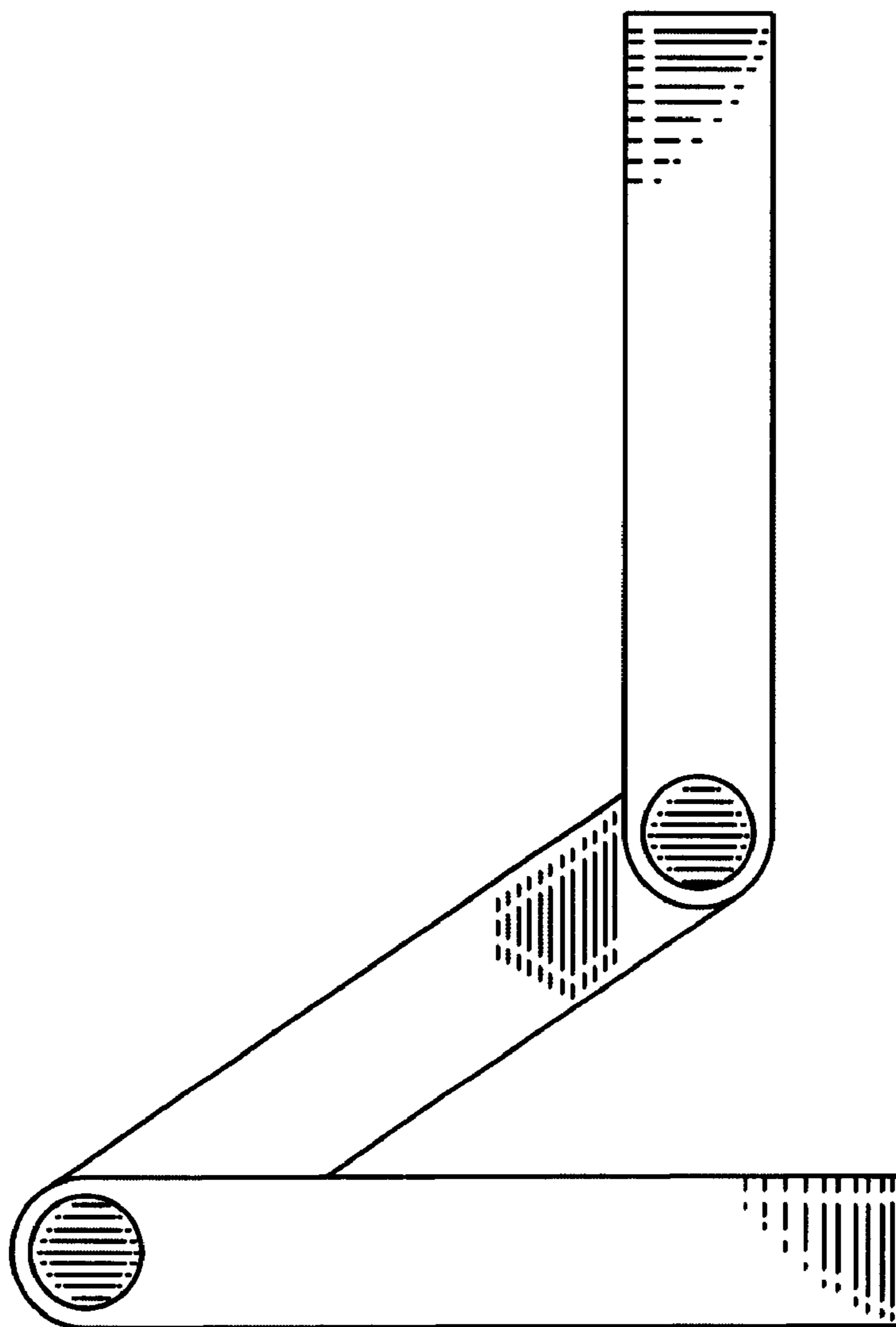


FIG. 5

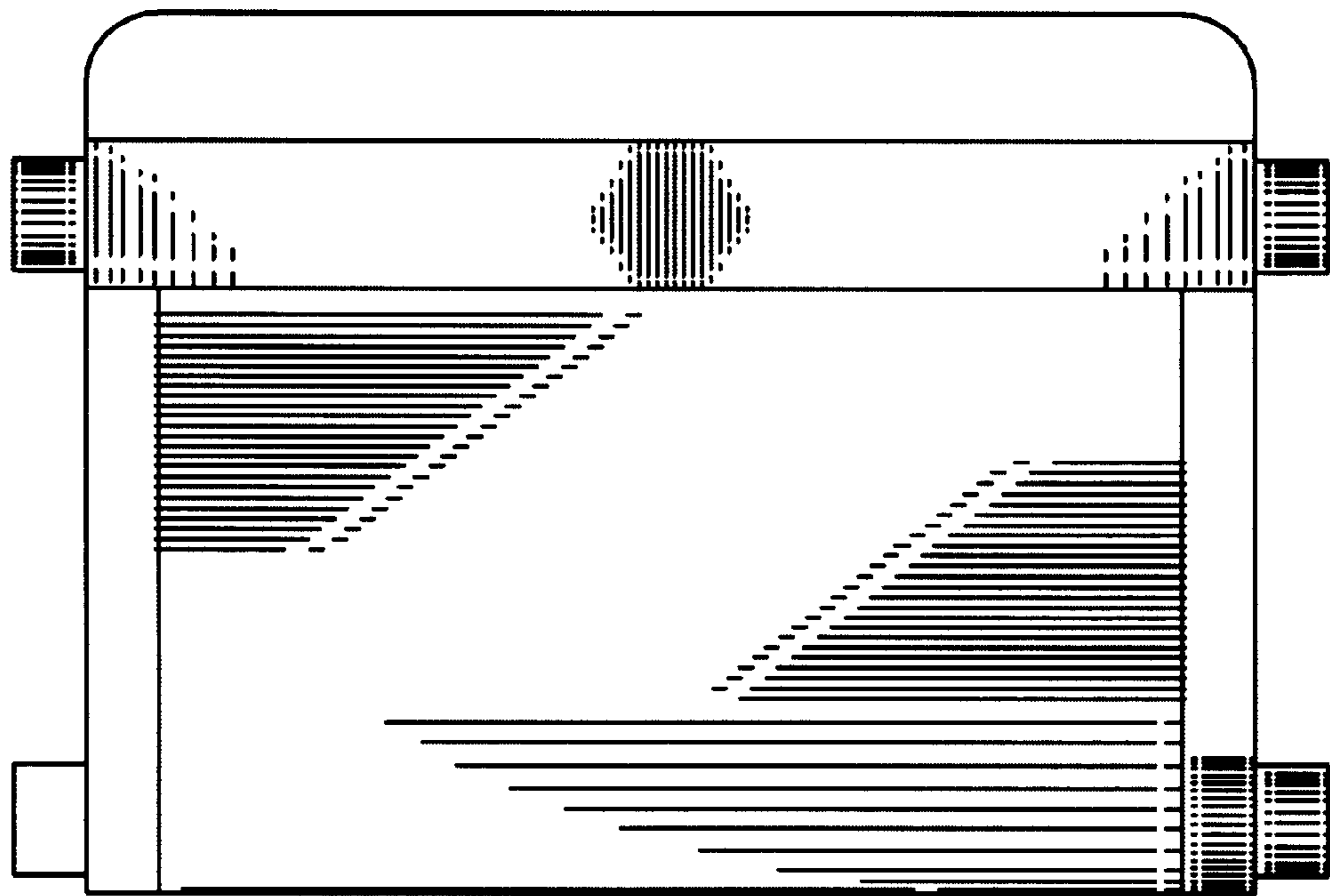


FIG. 6

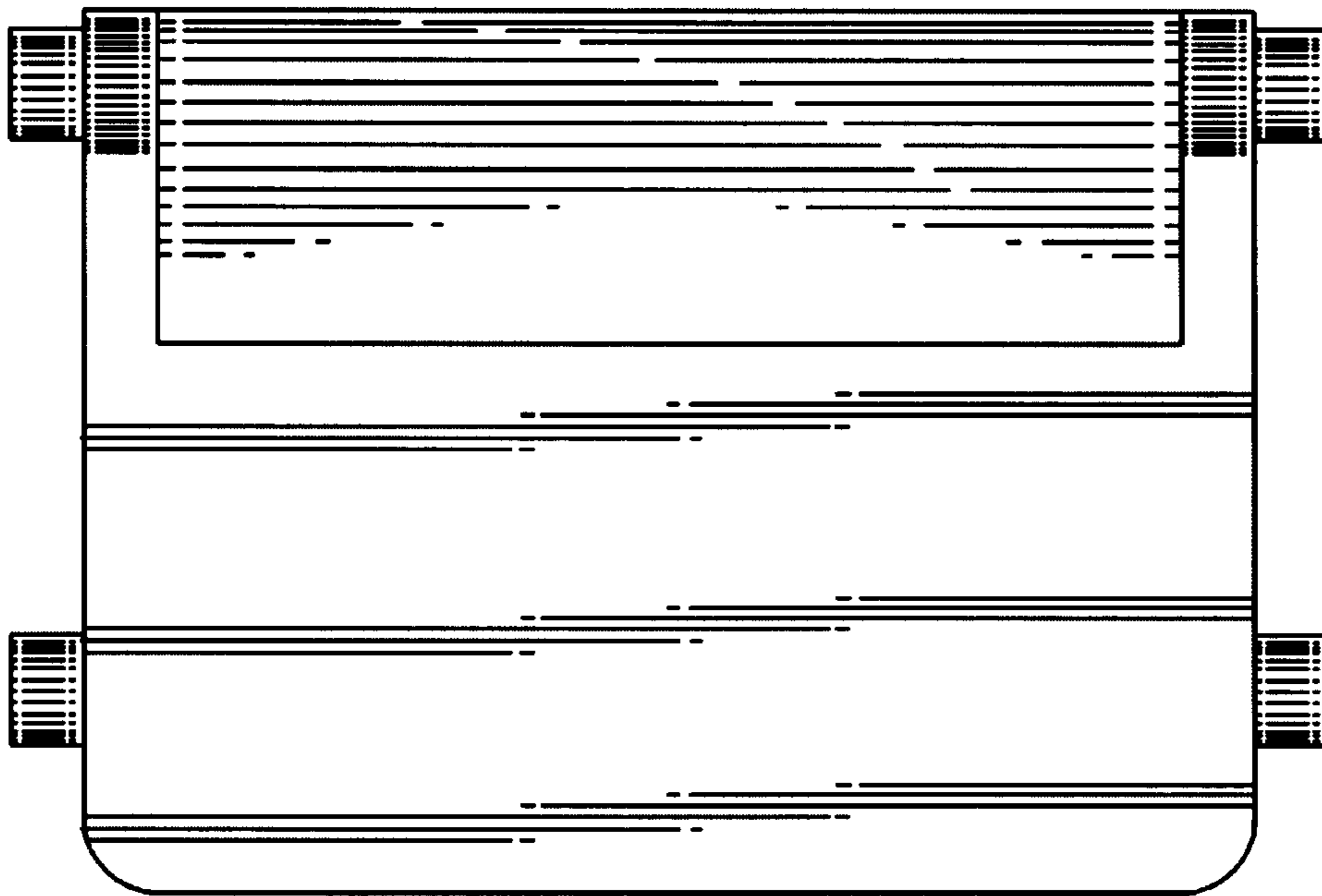


FIG. 7