



US00D533151S

(12) **United States Design Patent**
Wilson

(10) **Patent No.:** **US D533,151 S**

(45) **Date of Patent:** **** Dec. 5, 2006**

(54) **TELEVISION SET**

(75) Inventor: **Susan Wilson**, Bristol (GB)

(73) Assignee: **Hannspree, Inc.**, Taipei (TW)

(**) Term: **14 Years**

(21) Appl. No.: **29/239,543**

(22) Filed: **Sep. 30, 2005**

(30) **Foreign Application Priority Data**

Sep. 2, 2005 (TW) 94305285

(51) **LOC (8) Cl.** **14-03**

(52) **U.S. Cl.** **D14/126**

(58) **Field of Classification Search** D14/125-134,
D14/239, 371, 136, 374-377; 312/7.2; 348/836,
348/838, 180, 184, 325, 739; 341/12; 248/917-924,
248/465; 345/104, 133, 156, 168, 87, 173;
720/605, 669, 600, 655; 369/99, 197; 455/344-347
See application file for complete search history.

(56) **References Cited**

U.S. PATENT DOCUMENTS

D407,983 S * 4/1999 Hui D10/15

D472,554 S * 4/2003 Zuege et al. D14/375

D489,371 S * 5/2004 Sarman D14/371

D496,660 S * 9/2004 Liu D14/371

D497,363 S * 10/2004 Olson et al. D14/371

D512,387 S * 12/2005 Kita D14/126

* cited by examiner

Primary Examiner—Raphael Barkai

(74) *Attorney, Agent, or Firm*—Hamre, Schumann, Mueller
& Larson, P.C.

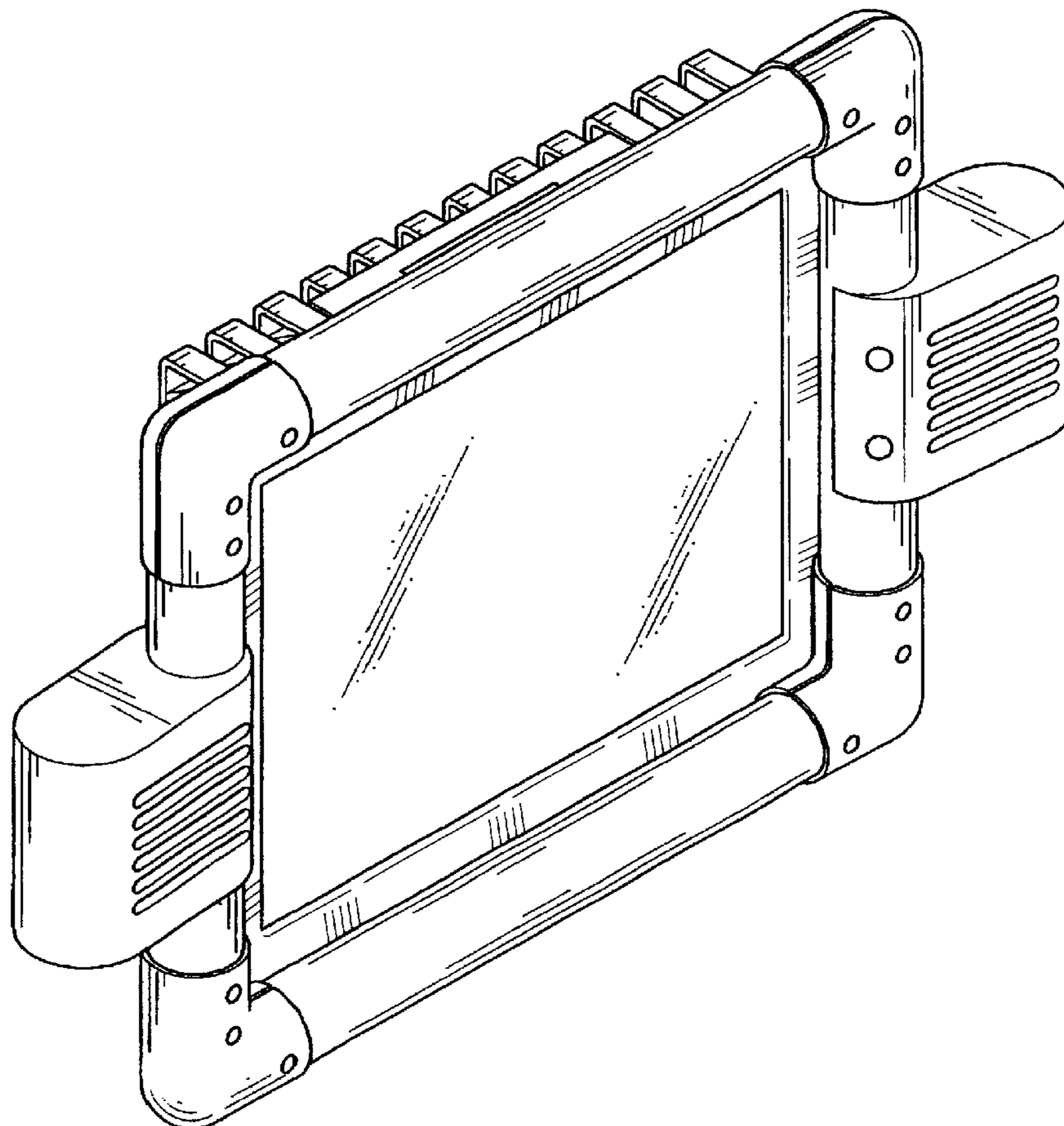
(57) **CLAIM**

The ornamental design for television set, as shown and
described.

DESCRIPTION

FIG. 1 is a front perspective view of a television set in
accordance with my invention thereof;
FIG. 2 is a front elevational view thereof;
FIG. 3 is a rear elevational view thereof;
FIG. 4 is a left side elevational view thereof;
FIG. 5 is a right side elevational view thereof;
FIG. 6 is a top plan view thereof; and,
FIG. 7 is a bottom plan view of the television set in a used
state thereof.

1 Claim, 7 Drawing Sheets



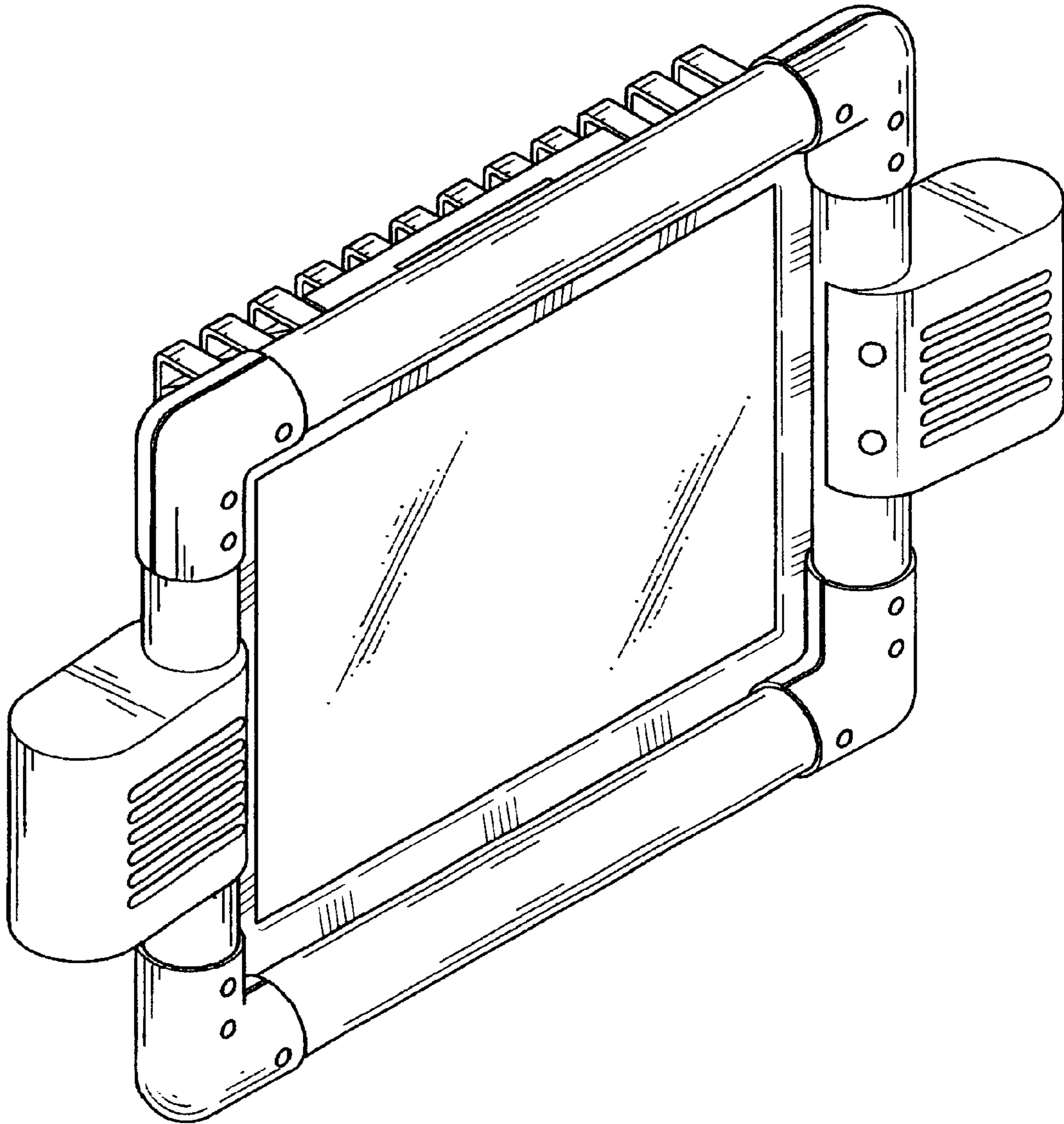


FIG. 1

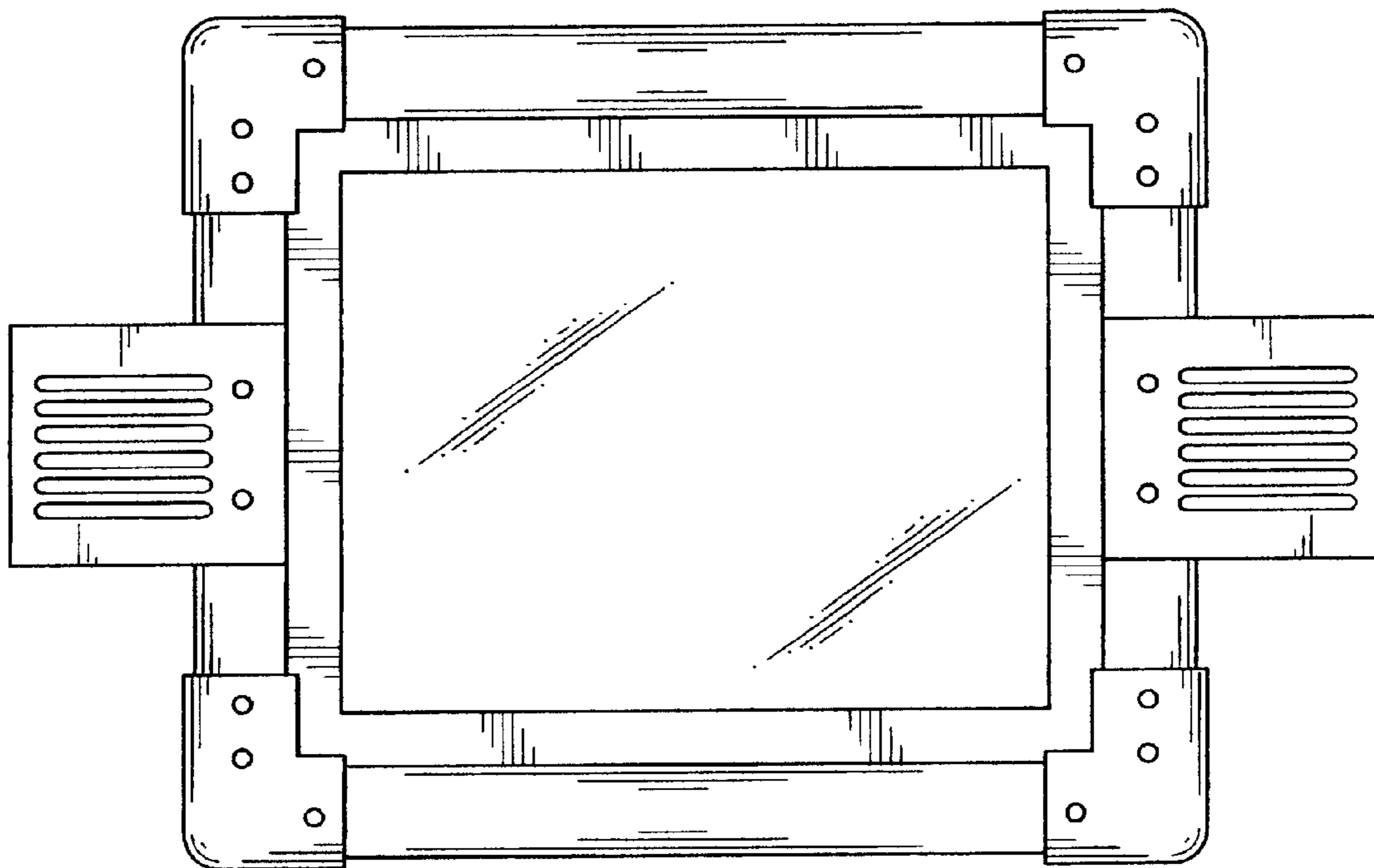


FIG. 2

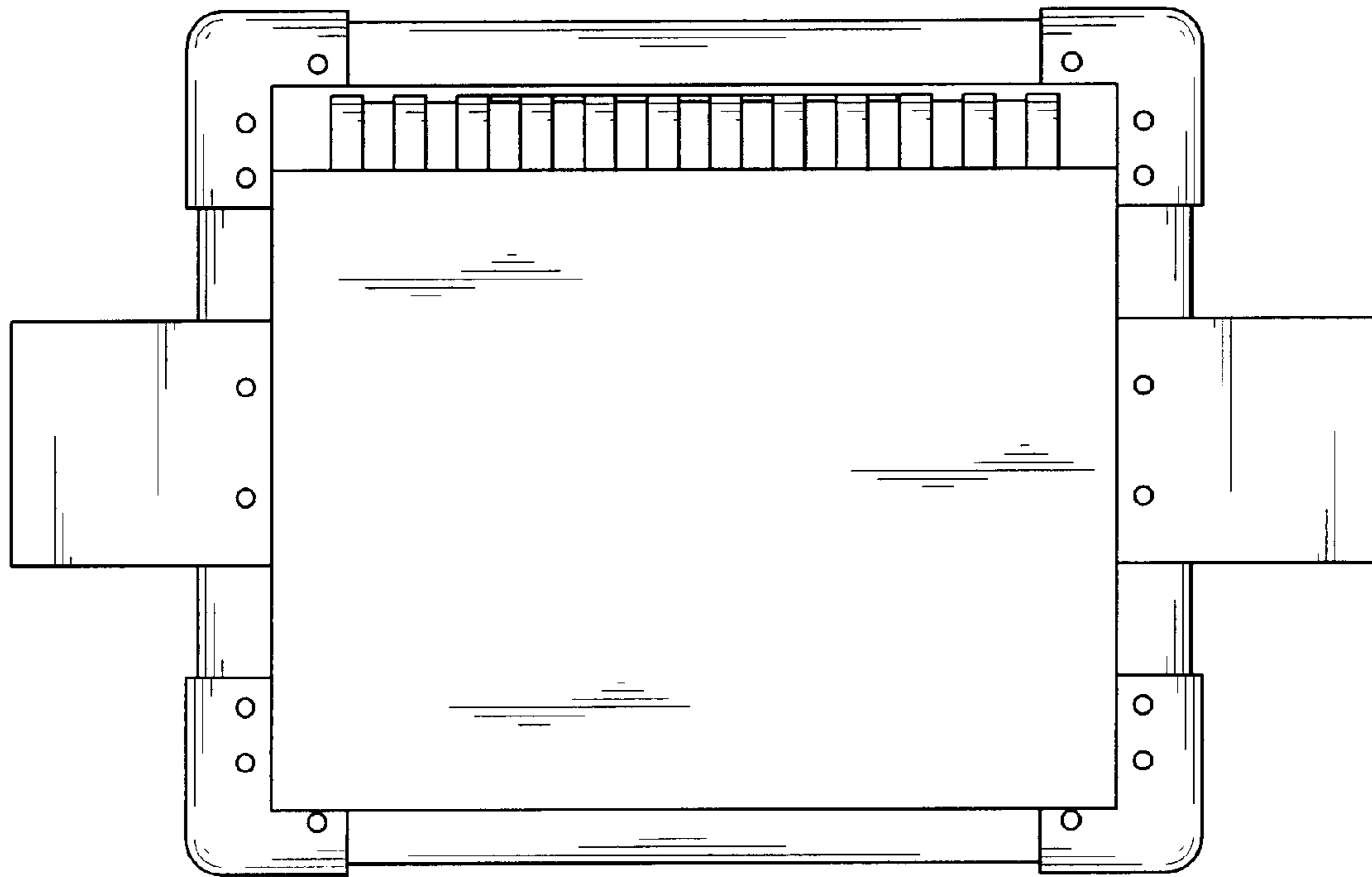


FIG. 3

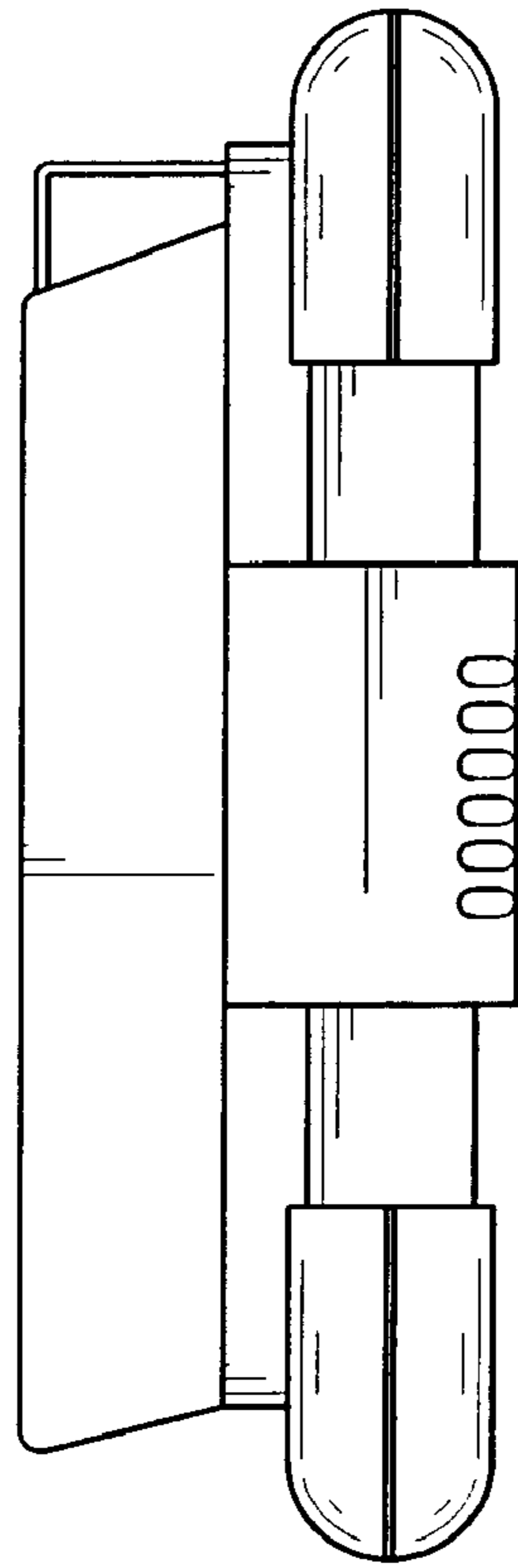


FIG. 4

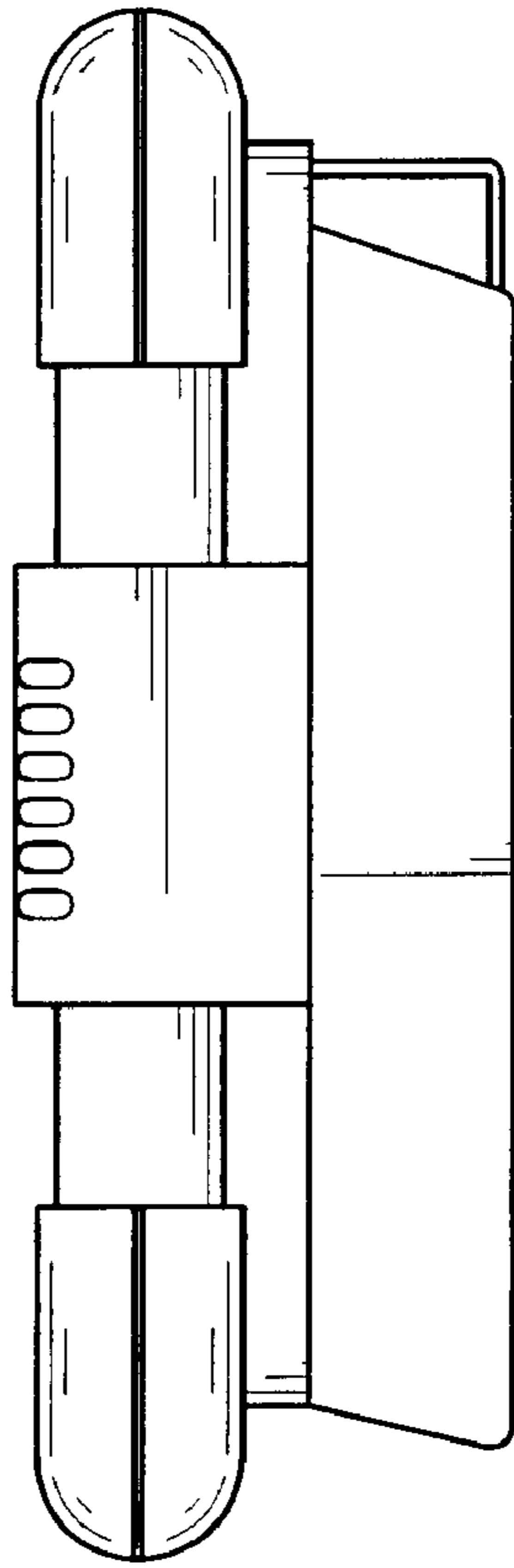


FIG. 5

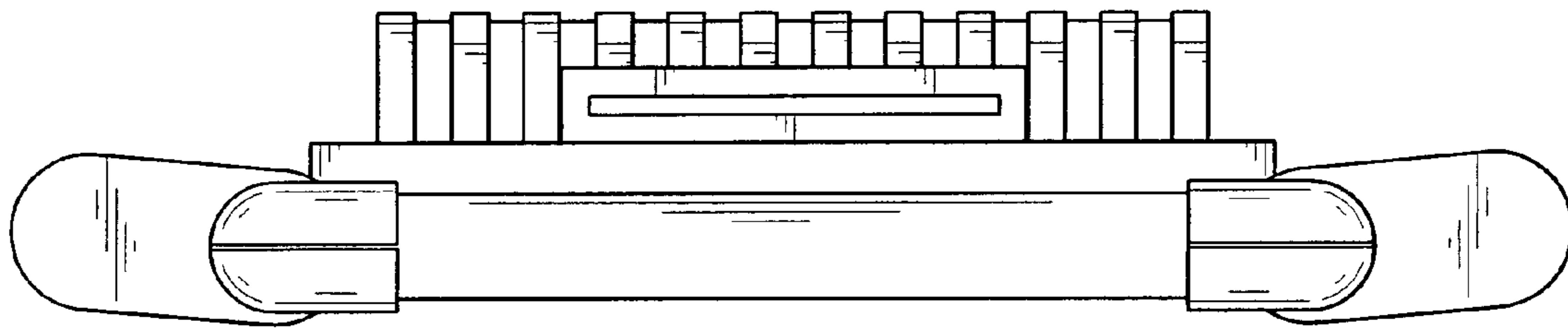


FIG. 6

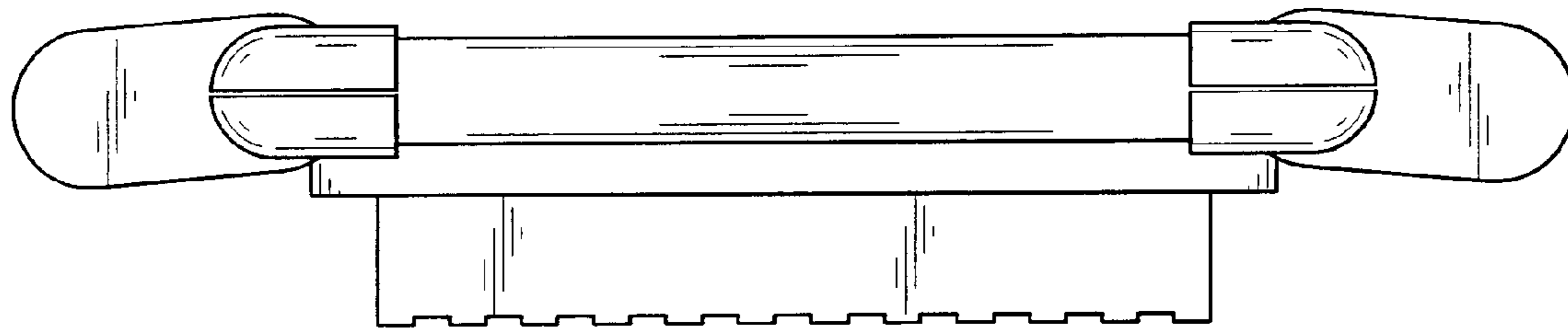


FIG. 7