



US00D533150S

(12) **United States Design Patent**
Chia

(10) **Patent No.:** **US D533,150 S**
(45) **Date of Patent:** **** Dec. 5, 2006**

(54) **TELEVISION SET**
(75) Inventor: **Benjamin Chia**, Cupertino, CA (US)
(73) Assignee: **Hannspree, Inc.**, Taipei (TW)
(**) Term: **14 Years**

D354,952 S * 1/1995 Rodd D14/129
D423,475 S * 4/2000 Maruyama et al. D14/375
D429,227 S * 8/2000 Shimizu D14/132
D430,121 S * 8/2000 Revoldini D14/374
D470,488 S * 2/2003 Lin D14/374
D474,163 S * 5/2003 Araki D14/126

* cited by examiner

(21) Appl. No.: **29/238,025**
(22) Filed: **Sep. 12, 2005**

Primary Examiner—Raphael Barkai
(74) *Attorney, Agent, or Firm*—Troxell Law Office, PLLC

(30) **Foreign Application Priority Data**

Jul. 8, 2005 (TW) 94304097

(57) **CLAIM**

The ornamental design for a television set, as shown and described.

(51) **LOC (8) Cl.** **14-03**
(52) **U.S. Cl.** **D14/126**
(58) **Field of Classification Search** D14/125–134,
D14/239, 371, 136, 374–377; 312/7.2; 348/836,
348/838, 180, 184, 325, 739; 341/12; 248/917–924,
248/465; 345/104, 133, 156, 168, 87, 173;
720/605, 669, 600, 655; 369/99, 197; 455/344–347
See application file for complete search history.

DESCRIPTION

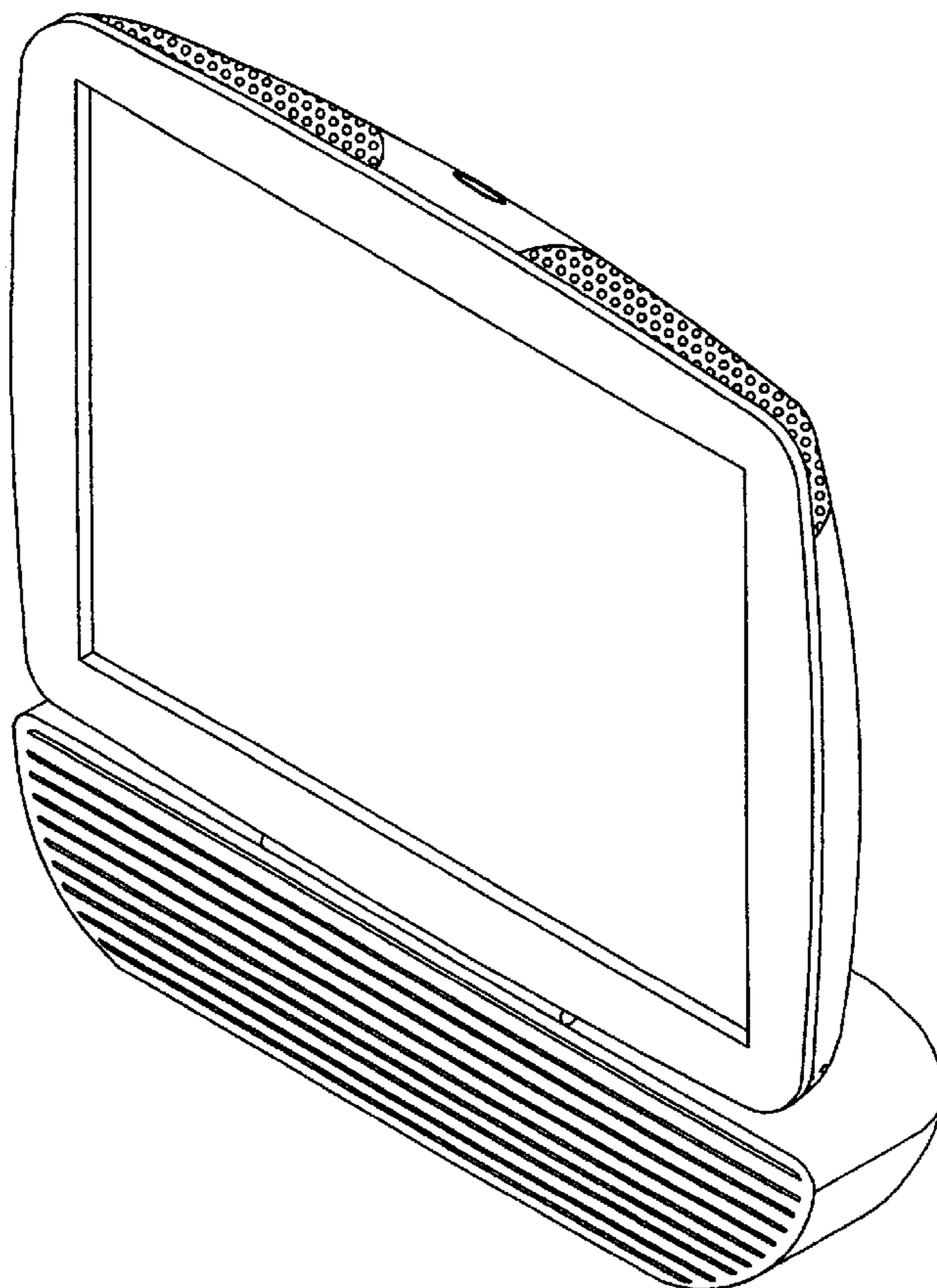
FIG. 1 is a perspective view of television set showing my design;
FIG. 2 is front view thereof;
FIG. 3 is a right side view thereof;
FIG. 4 is a top view thereof;
FIG. 5 is a bottom view thereof;
FIG. 6 is a rear view thereof; and,
FIG. 7 is a left side view thereof.

(56) **References Cited**

U.S. PATENT DOCUMENTS

D323,324 S * 1/1992 Suda D14/375

1 Claim, 4 Drawing Sheets



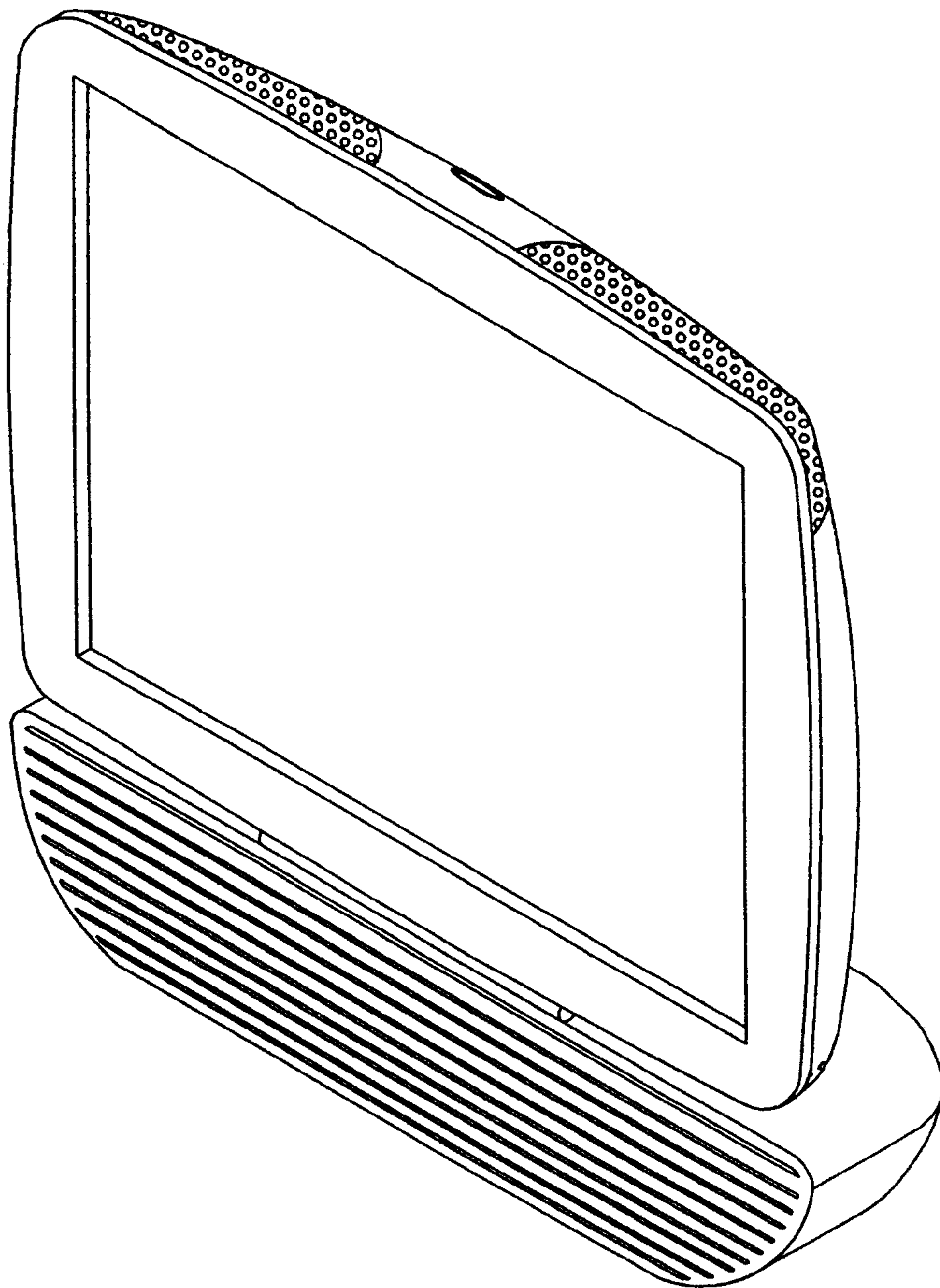


FIG. 1

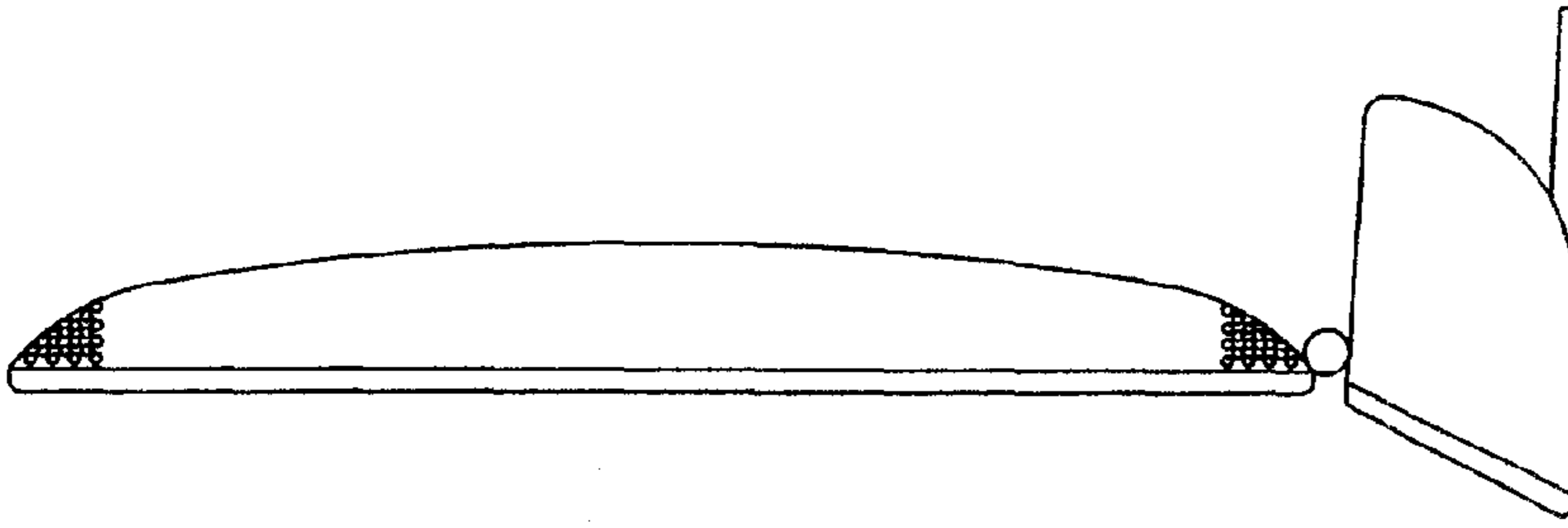


FIG. 3

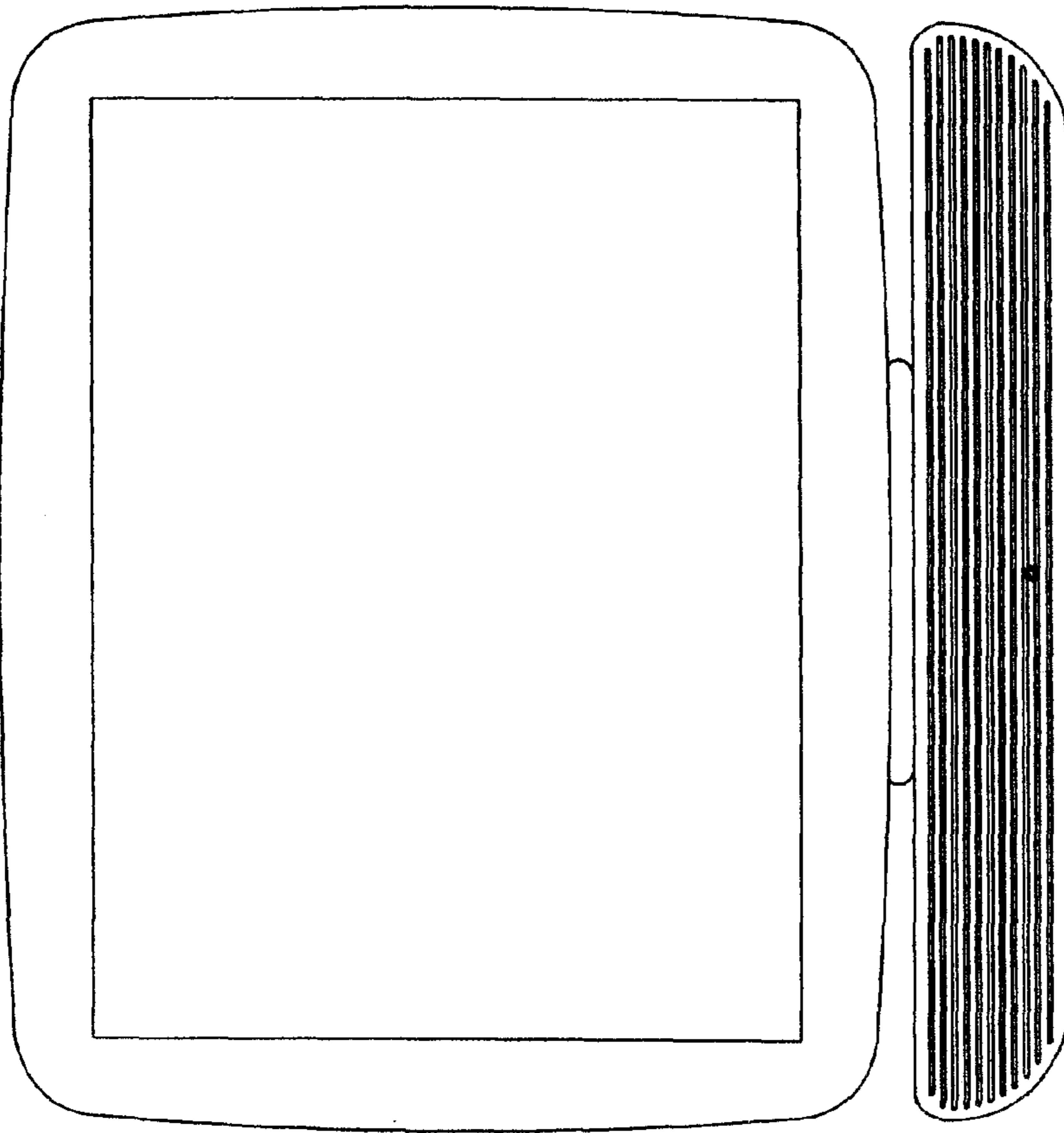


FIG. 2

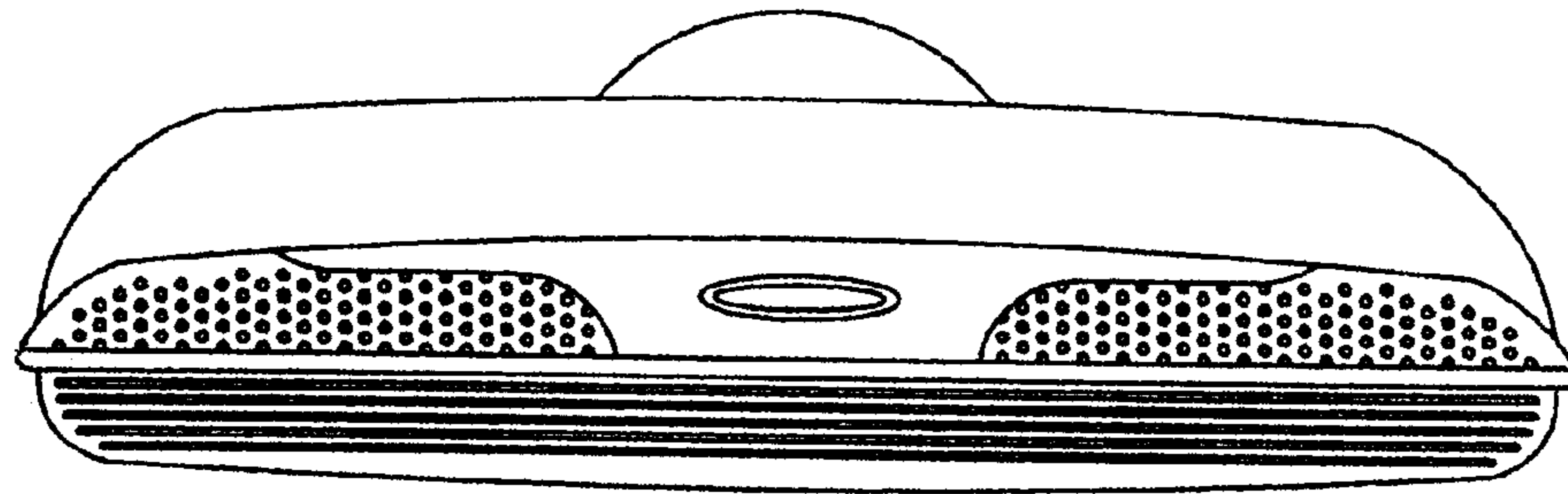


FIG. 4

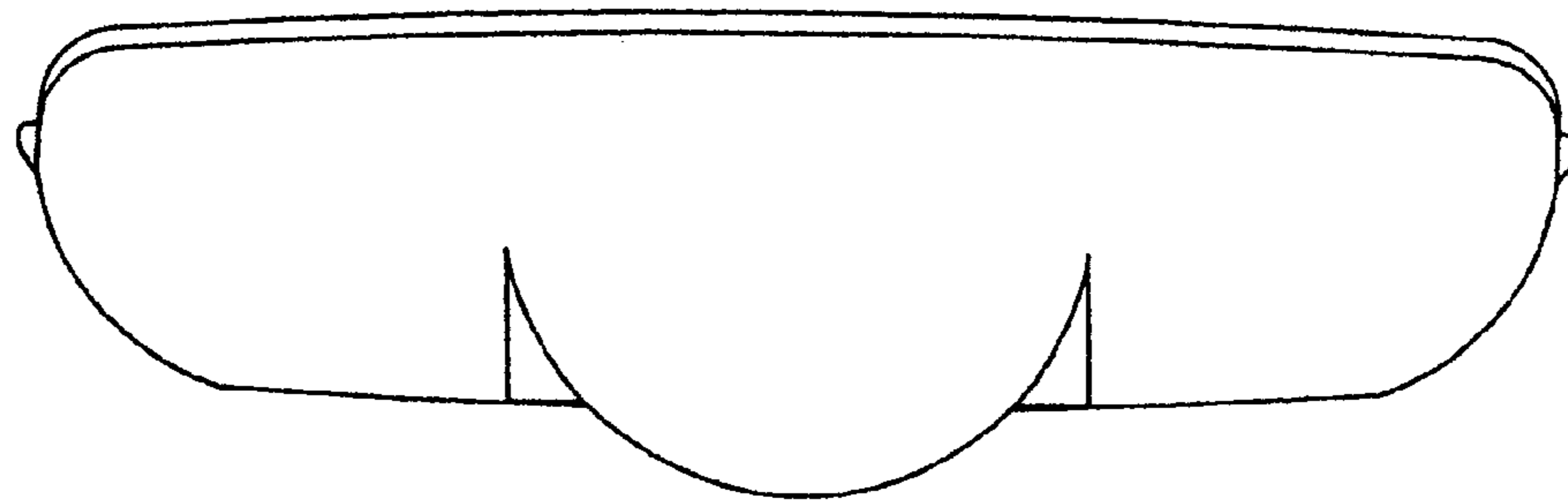


FIG. 5

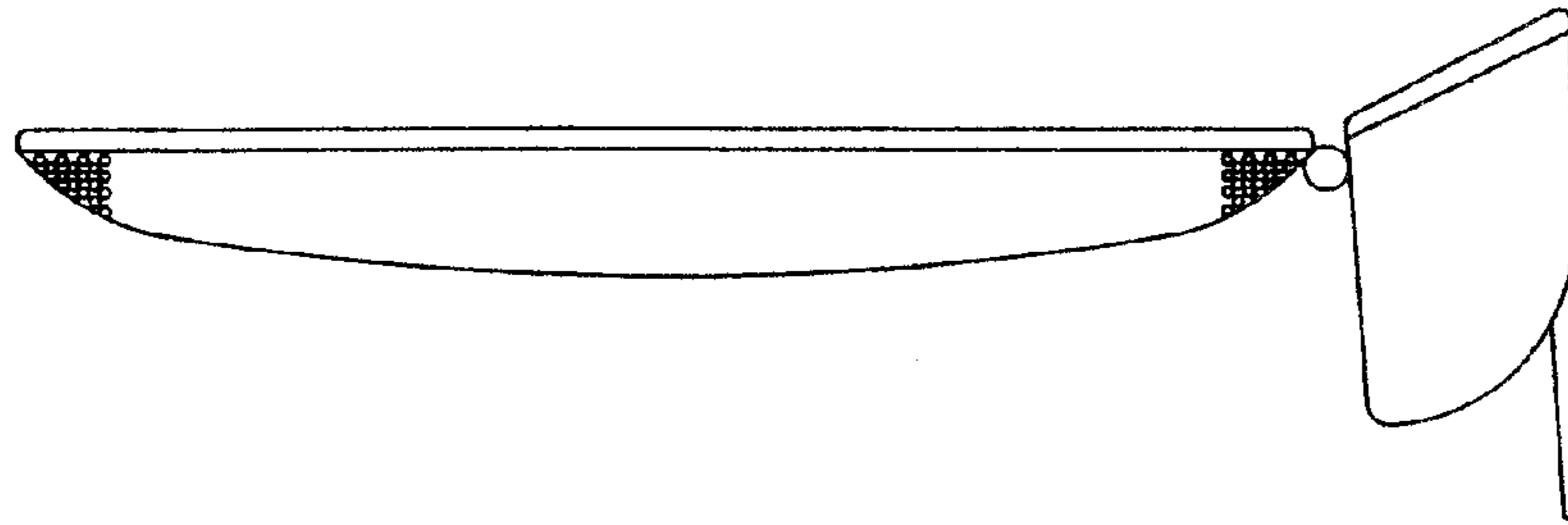


FIG. 7

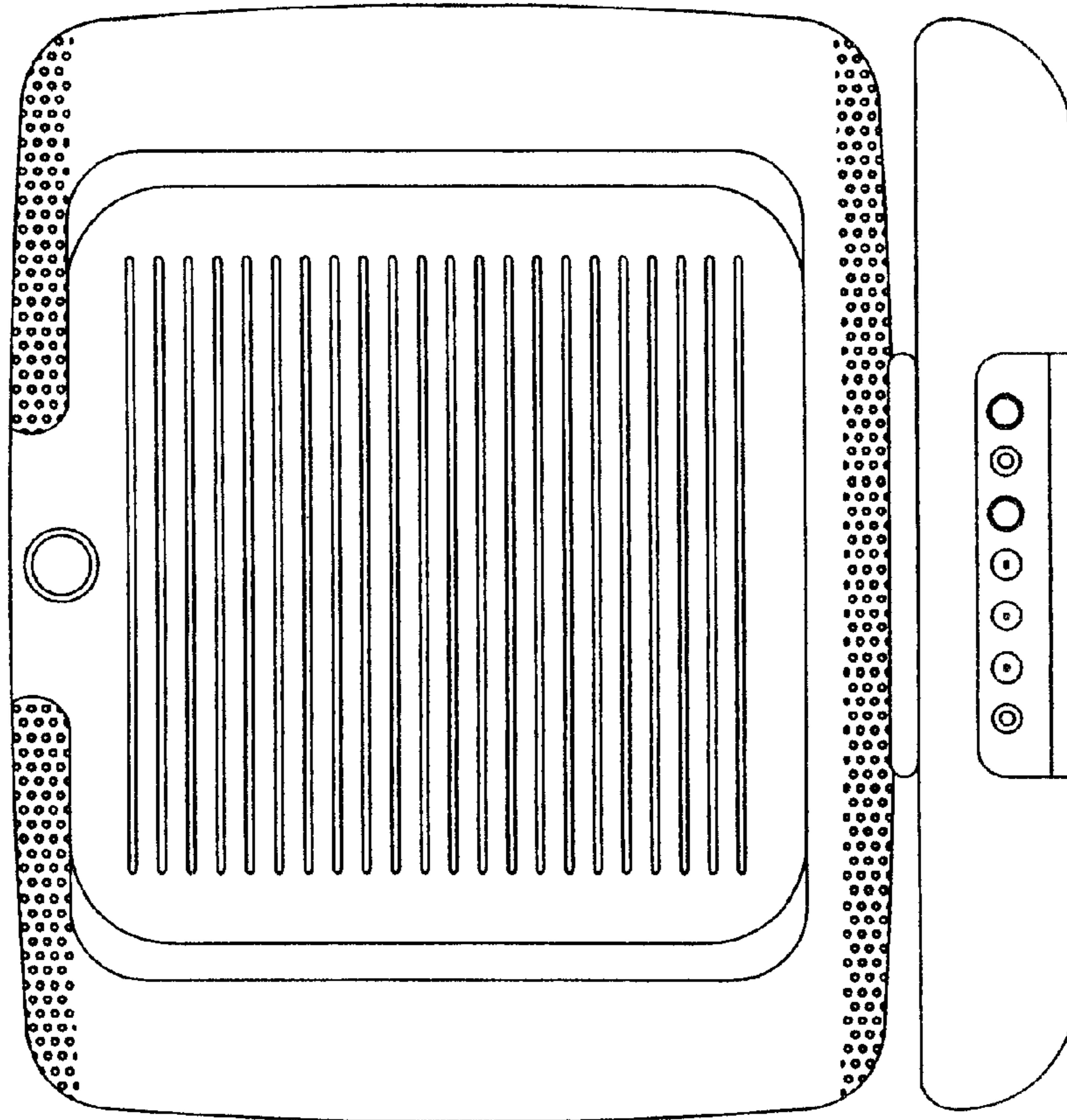


FIG. 6