



US00D533148S

(12) **United States Design Patent**
Hong

(10) **Patent No.:** **US D533,148 S**

(45) **Date of Patent:** **** Dec. 5, 2006**

(54) **SATELLITE RECEIVER**

(75) Inventor: **Hye Young Hong**, Seoul (KR)

(73) Assignee: **LG Electronics Inc.**, Seoul (KR)

(**) Term: **14 Years**

(21) Appl. No.: **29/231,604**

(22) Filed: **Jun. 8, 2005**

(30) **Foreign Application Priority Data**

Dec. 20, 2004 (KR) 30-2004-0039169

(51) **LOC (8) Cl.** **14-03**

(52) **U.S. Cl.** **D14/125**

(58) **Field of Classification Search** D14/299,
D14/356, 242, 361-363, 365, 466, 125, 126,
D14/432, 135, 136, 239, 357; 348/460, 10;
361/690-696; 312/208.1, 223.2; 455/3.1,
455/3.2, 6.1-6.3, 3.04

See application file for complete search history.

(56) **References Cited**

U.S. PATENT DOCUMENTS

D318,673 S * 7/1991 Terk D14/230

D365,348 S * 12/1995 Card et al. D14/140.3

D389,088 S * 1/1998 Murphy D14/351
D431,243 S * 9/2000 Oba D14/351
D431,557 S * 10/2000 Lutz et al. D14/242
D432,125 S * 10/2000 Masuda et al. D14/349
D491,940 S * 6/2004 Narita D14/368
D494,134 S * 8/2004 Murzanski D13/110
D513,240 S * 12/2005 Uehara D14/125

* cited by examiner

Primary Examiner—Raphael Barkai

Assistant Examiner—Randall H. Gholson

(74) *Attorney, Agent, or Firm*—Birch, Stewart, Kolasch,
and Birch, LLP

(57) **CLAIM**

The ornamental design for a satellite receiver, as shown.

DESCRIPTION

FIG. 1 is a front, right perspective view of a satellite receiver showing my new design;

FIG. 2 is a front view thereof;

FIG. 3 is a rear view thereof;

FIG. 4 is a left side view thereof;

FIG. 5 is a right side view thereof;

FIG. 6 is a top view thereof; and,

FIG. 7 is a bottom view thereof.

1 Claim, 4 Drawing Sheets

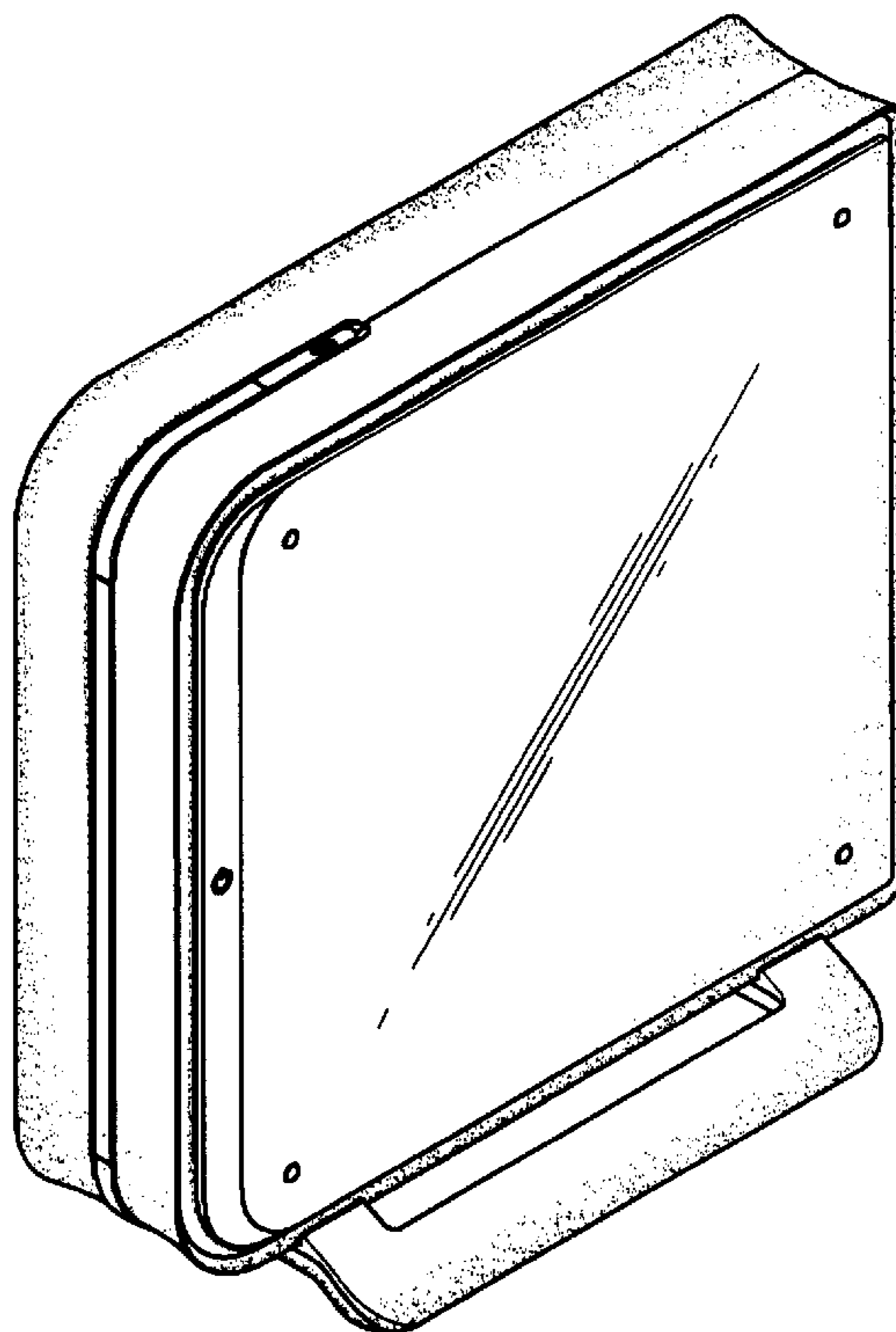


Fig. 1

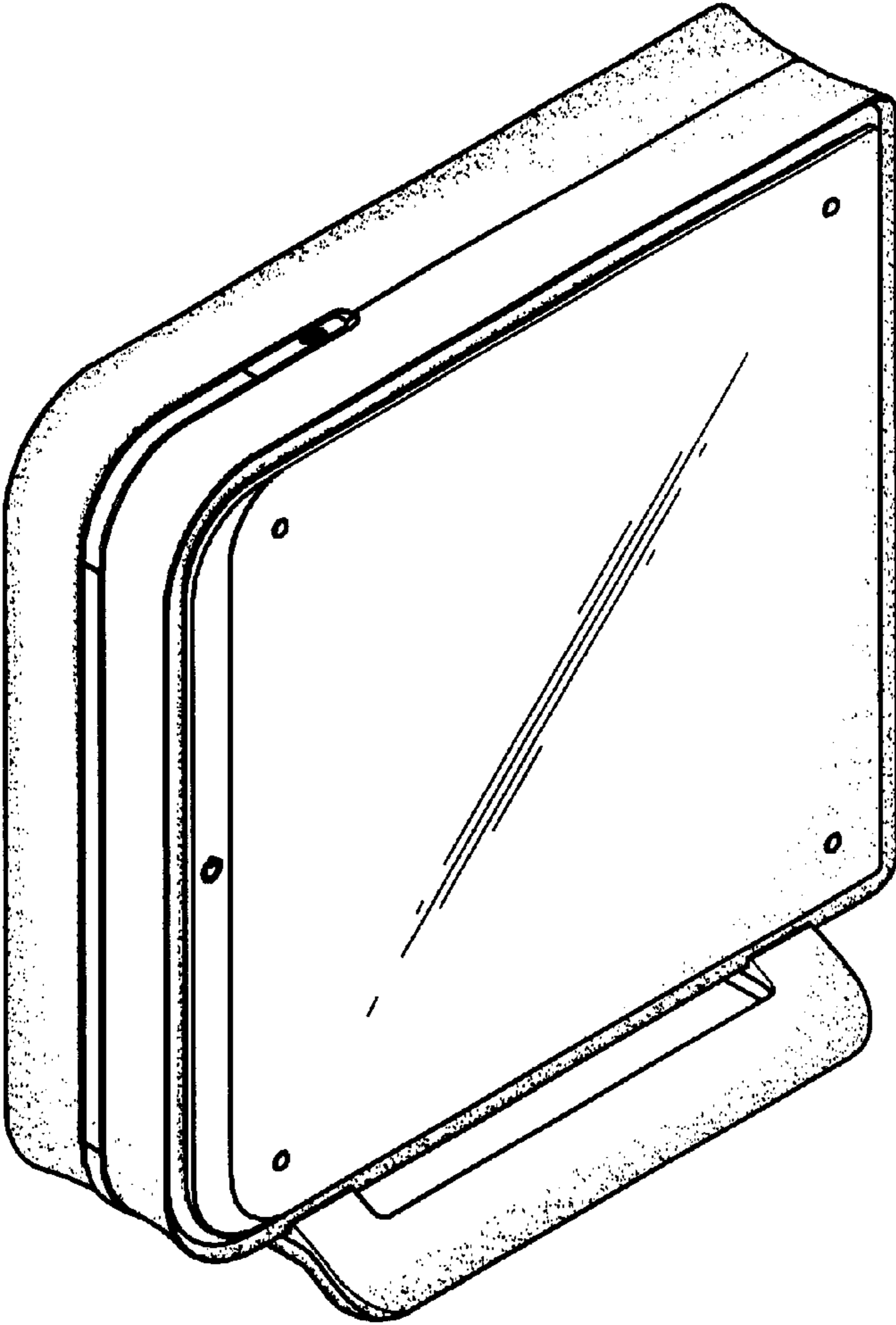


Fig. 2

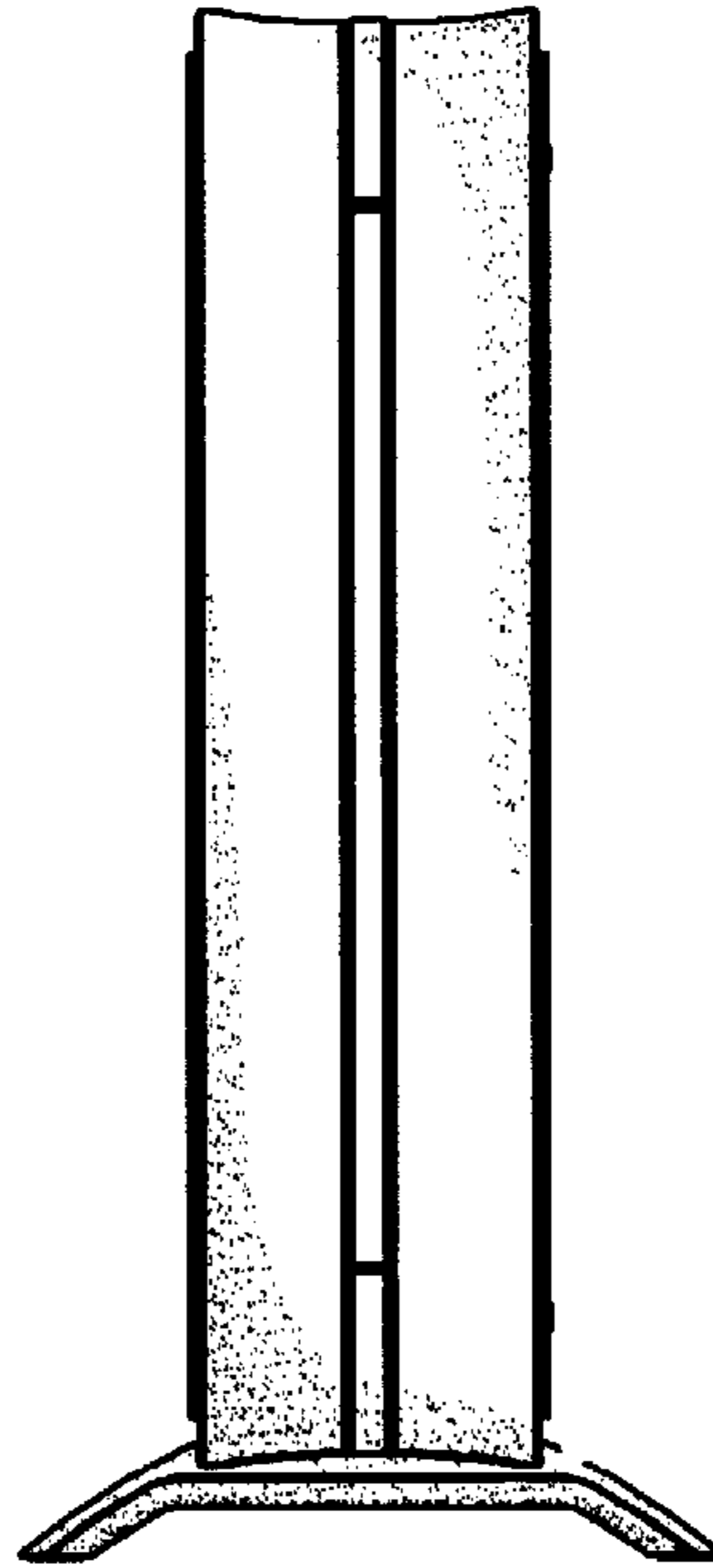


Fig. 3

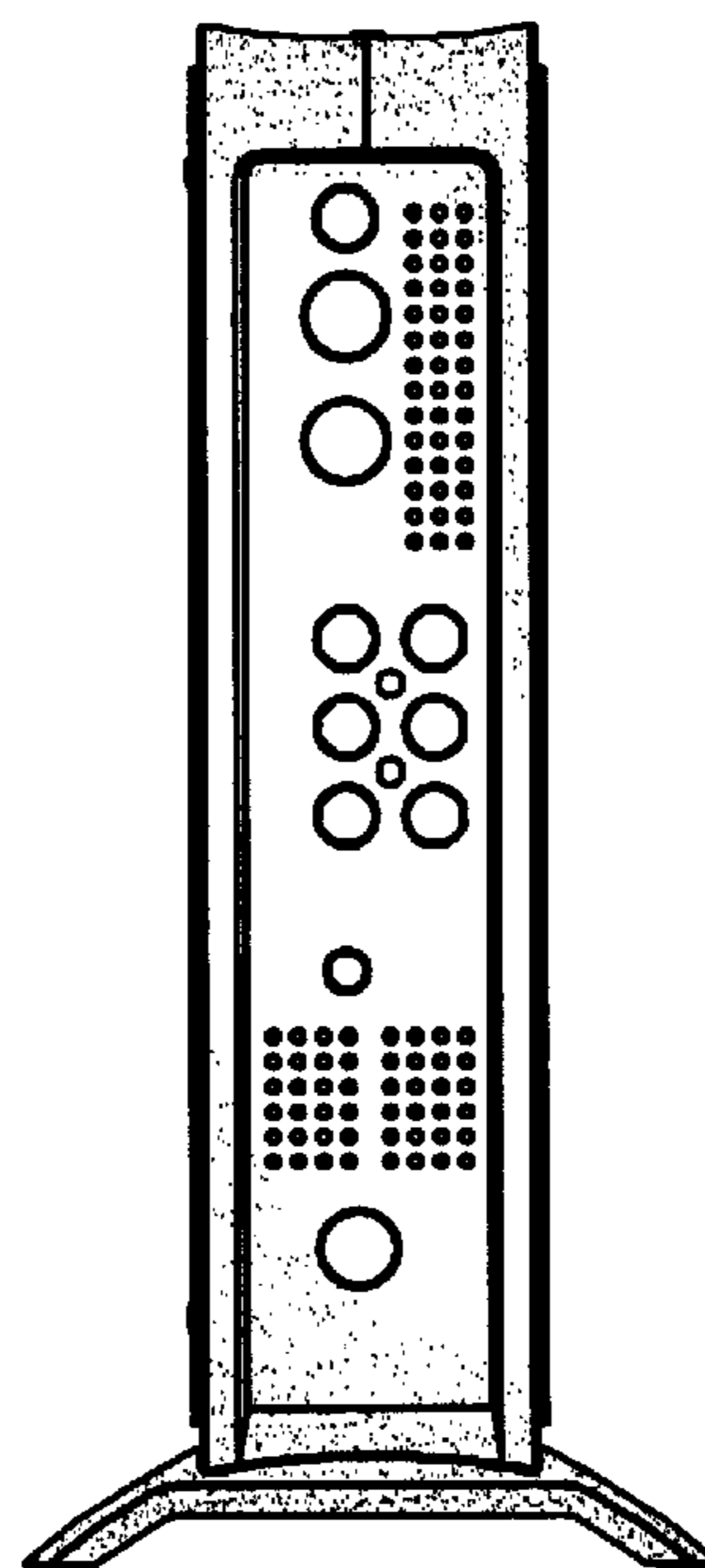


Fig. 4

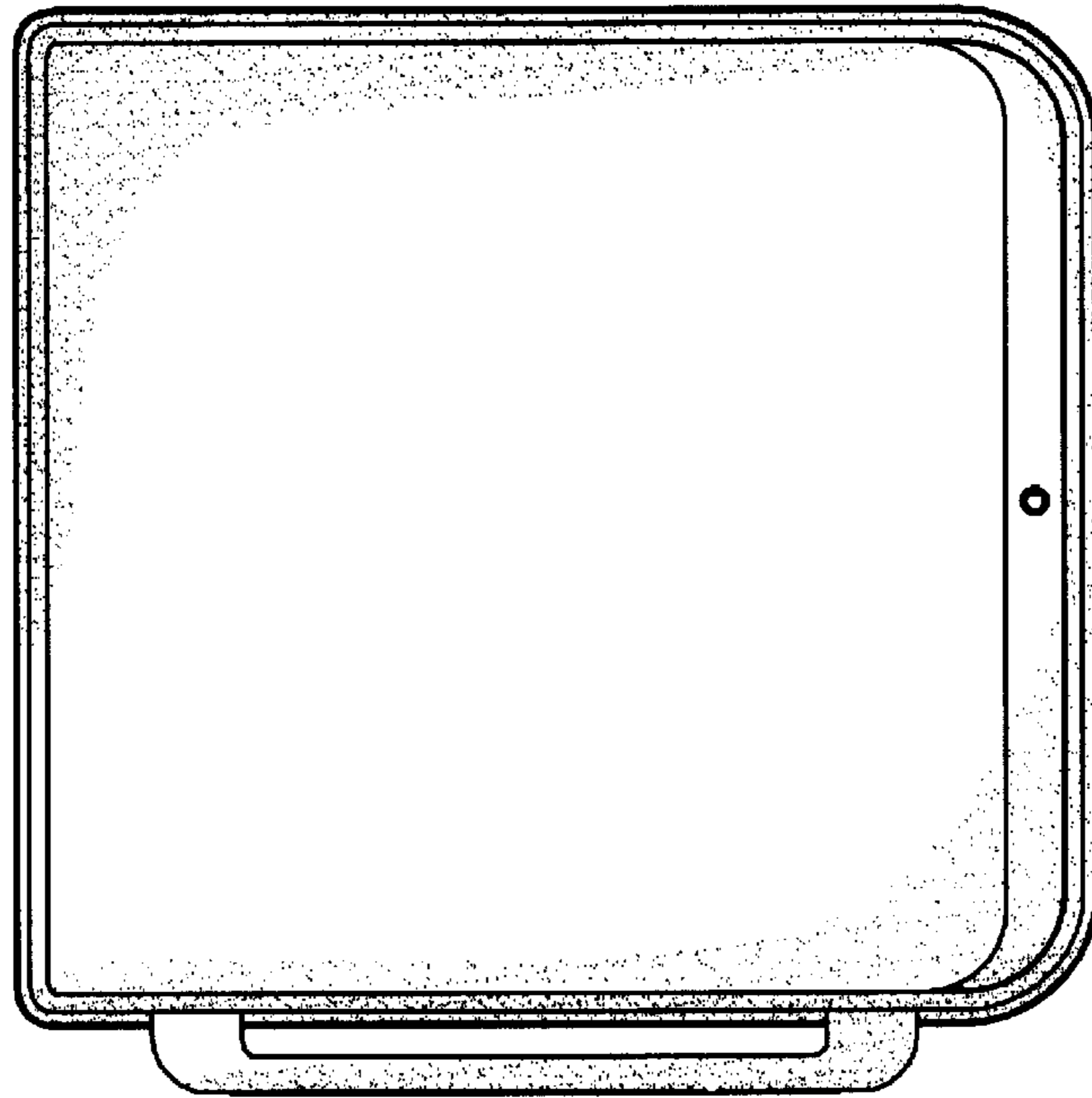


Fig. 5

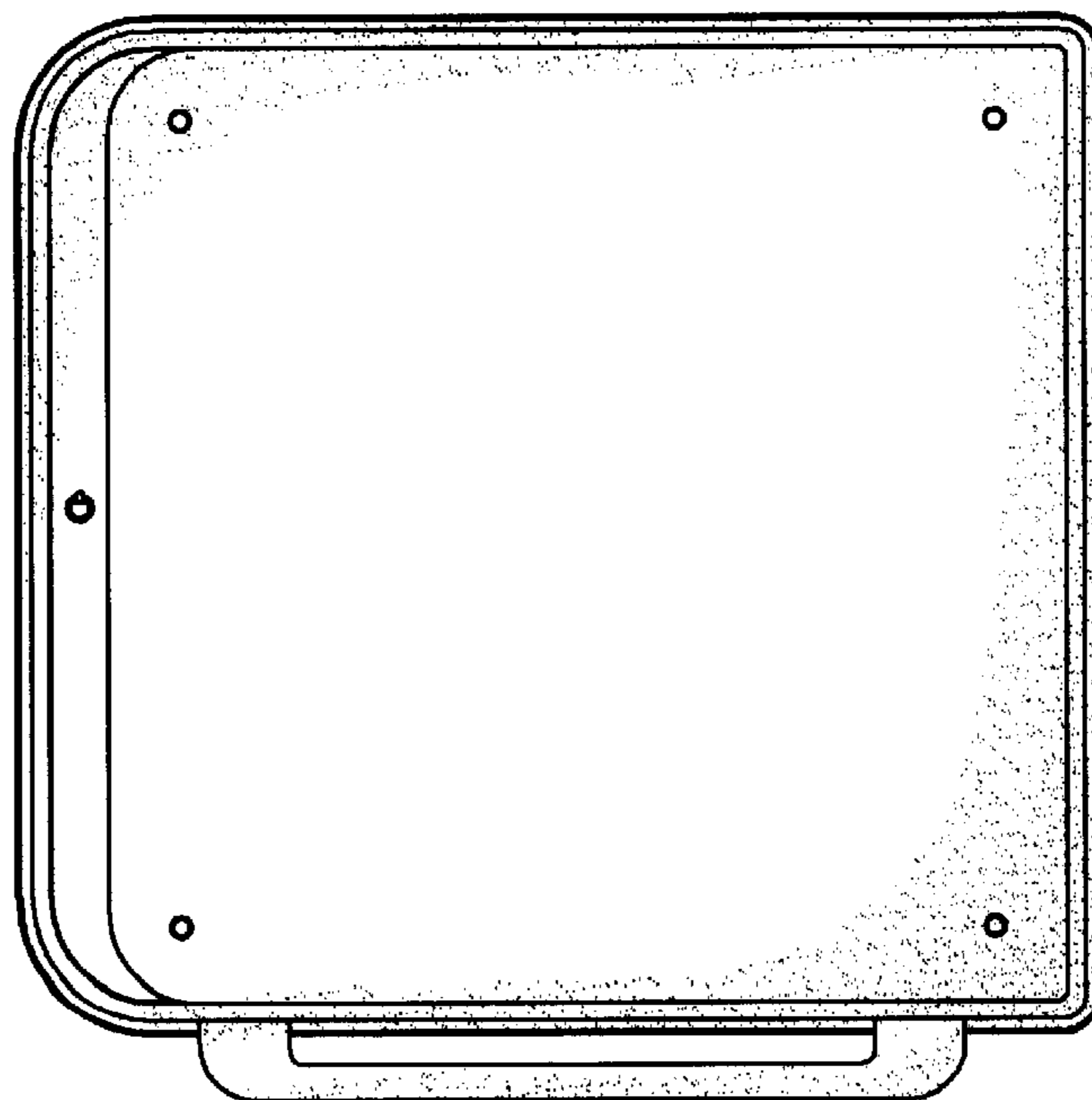


Fig. 6

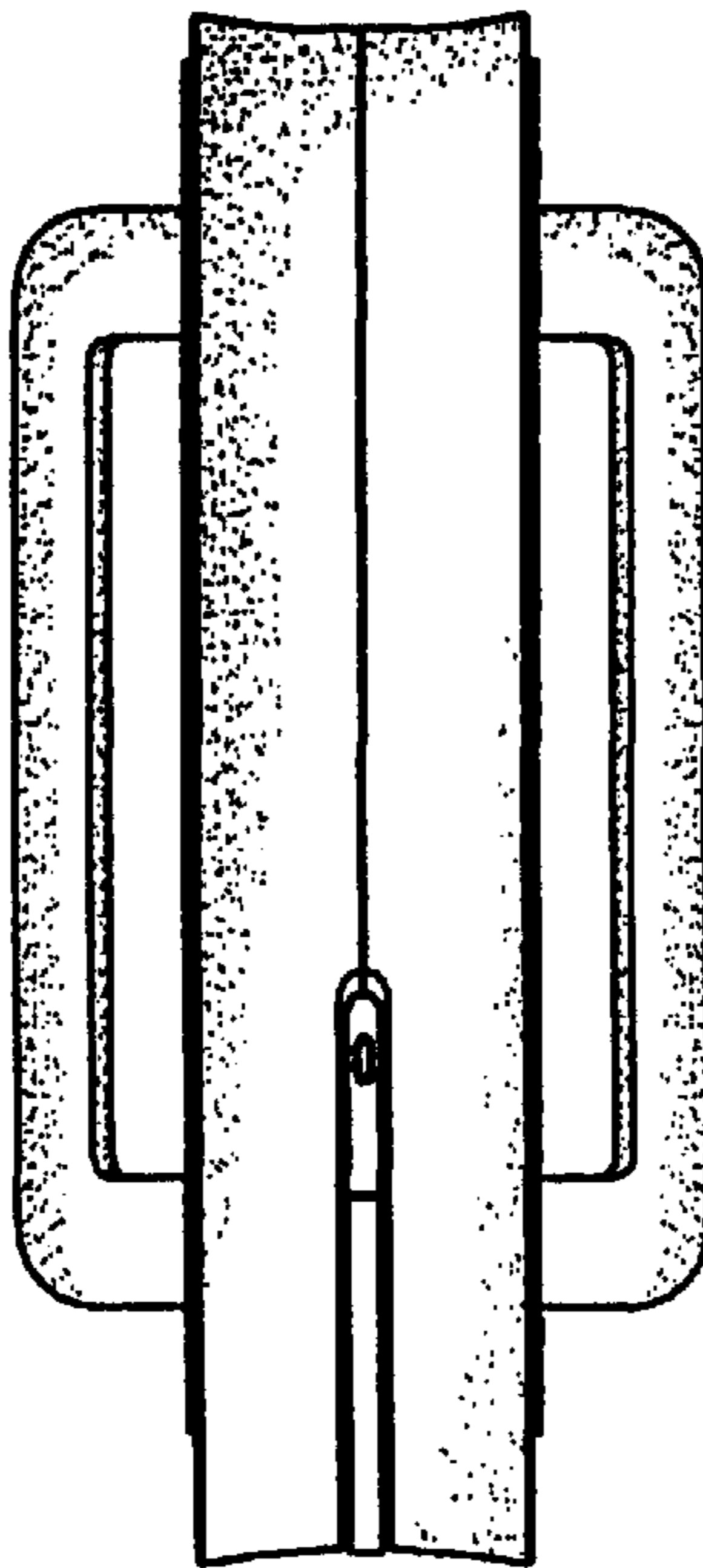


Fig. 7

