

US00D533145S

(12) **United States Design Patent**  
**O'Sullivan et al.**

(10) **Patent No.:** **US D533,145 S**

(45) **Date of Patent:** **\*\* Dec. 5, 2006**

(54) **HEAT SINK**

(75) Inventors: **Michael O'Sullivan**, Naperville, IL  
(US); **Eric Lotter**, Bloomington, IL  
(US)

(73) Assignee: **Molex Incorporated**, Lisle, IL (US)

(\*\*) Term: **14 Years**

(21) Appl. No.: **29/235,693**

(22) Filed: **Aug. 4, 2005**

(51) **LOC (8) Cl.** ..... **13-03**

(52) **U.S. Cl.** ..... **D13/179**

(58) **Field of Classification Search** ..... D13/179;  
D23/370; 165/80.3, 104.33, 121, 122, 146,  
165/180, 185; 174/16.3; 257/706, 707, 718-722;  
361/271, 274.3, 695, 697, 700, 702, 704,  
361/709-711

See application file for complete search history.

(56) **References Cited**

**U.S. PATENT DOCUMENTS**

D453,744 S \* 2/2002 Lee et al. .... D13/179  
D487,885 S \* 3/2004 Fan ..... D13/179  
6,698,511 B1 \* 3/2004 DiBene et al. .... 165/185  
2001/0030039 A1 \* 10/2001 Copeland et al. .... 165/104.26  
2002/0056544 A1 \* 5/2002 Azar ..... 165/80.3

2003/0210525 A1 \* 11/2003 Chung et al. .... 361/695  
2004/0194924 A1 \* 10/2004 Wong ..... 165/80.3  
2005/0103476 A1 \* 5/2005 Chen et al. .... 165/104.33  
2006/0028798 A1 \* 2/2006 Wang ..... 361/697  
2006/0054307 A1 \* 3/2006 Lee et al. .... 165/80.3  
2006/0067050 A1 \* 3/2006 Li et al. .... 361/697

\* cited by examiner

*Primary Examiner*—Selina Sikder

(74) *Attorney, Agent, or Firm*—Robert J. Zeitler

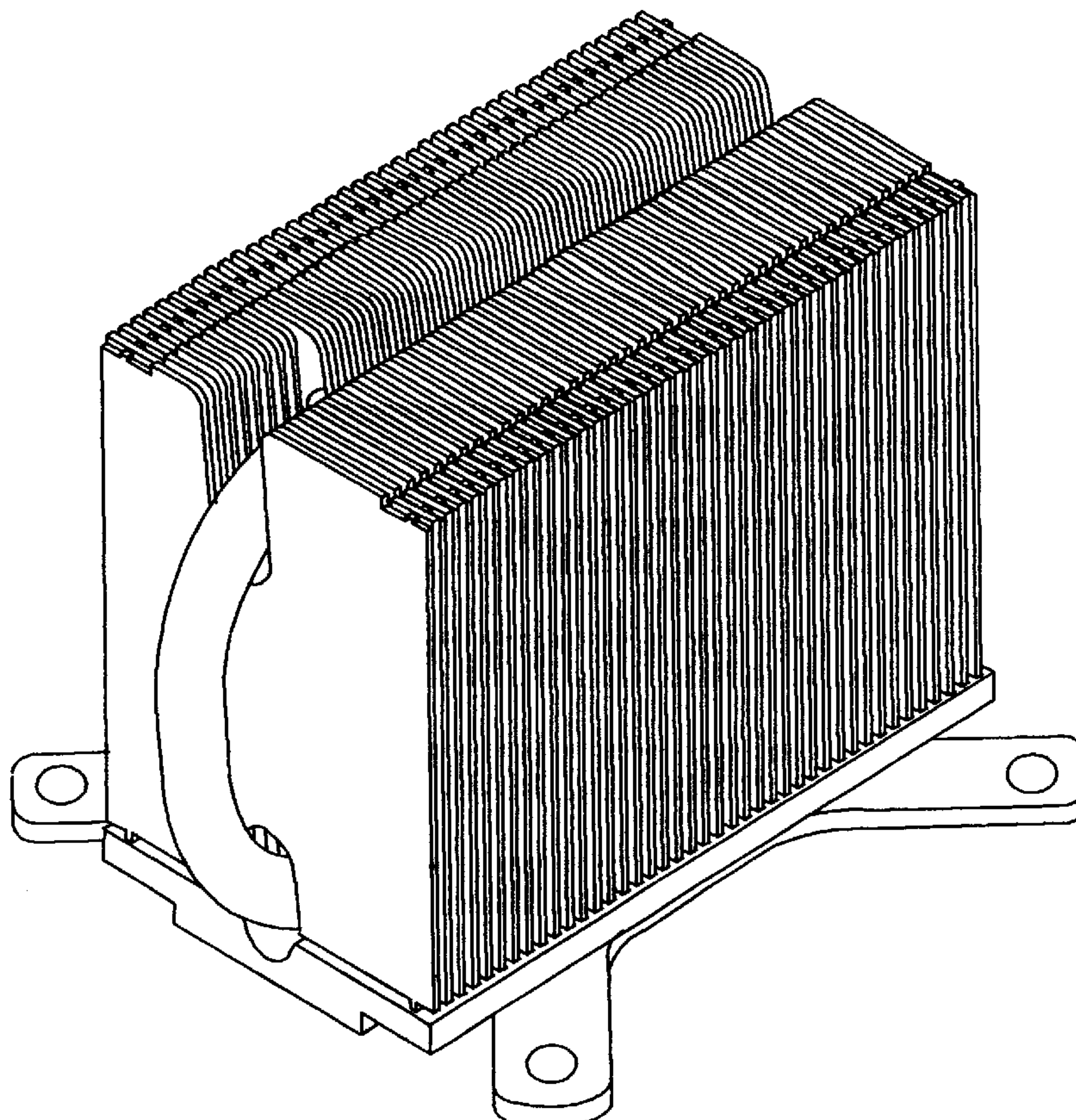
(57) **CLAIM**

The ornamental design for a heat sink, as shown and described.

**DESCRIPTION**

FIG. 1 is a top view of a heat sink showing our new design; FIG. 2 is a side perspective view thereof; FIG. 3 is a side perspective view thereof taken from the side opposite that shown in FIG. 2; FIG. 4 is an end view thereof; FIG. 5 is a side view thereof; FIG. 6 is an end view thereof from the end opposite that shown in FIG. 4; FIG. 7 is a side view thereof taken from the side opposite that shown in FIG. 5; and, FIG. 8 is a bottom view thereof.

**1 Claim, 4 Drawing Sheets**



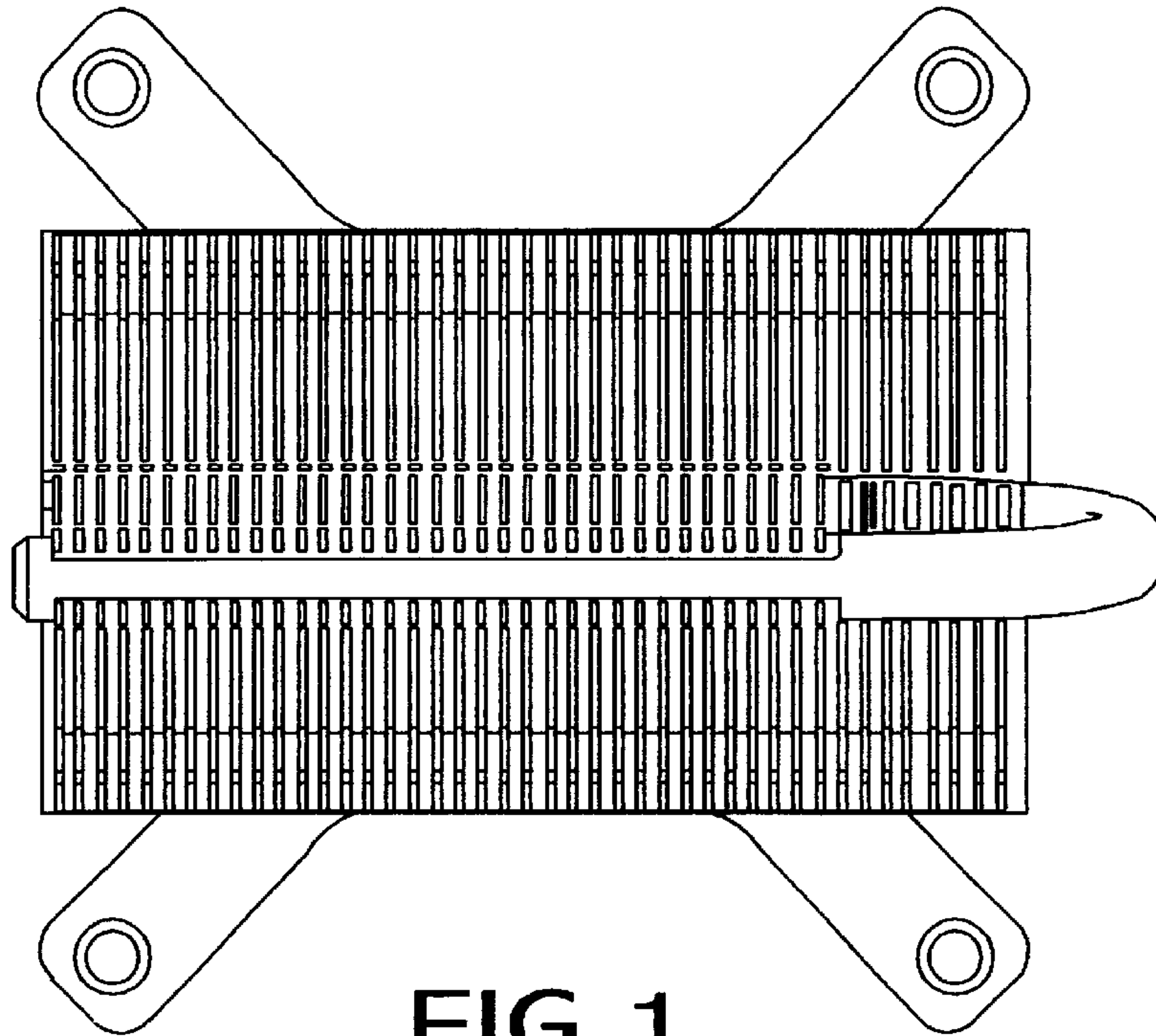


FIG. 1

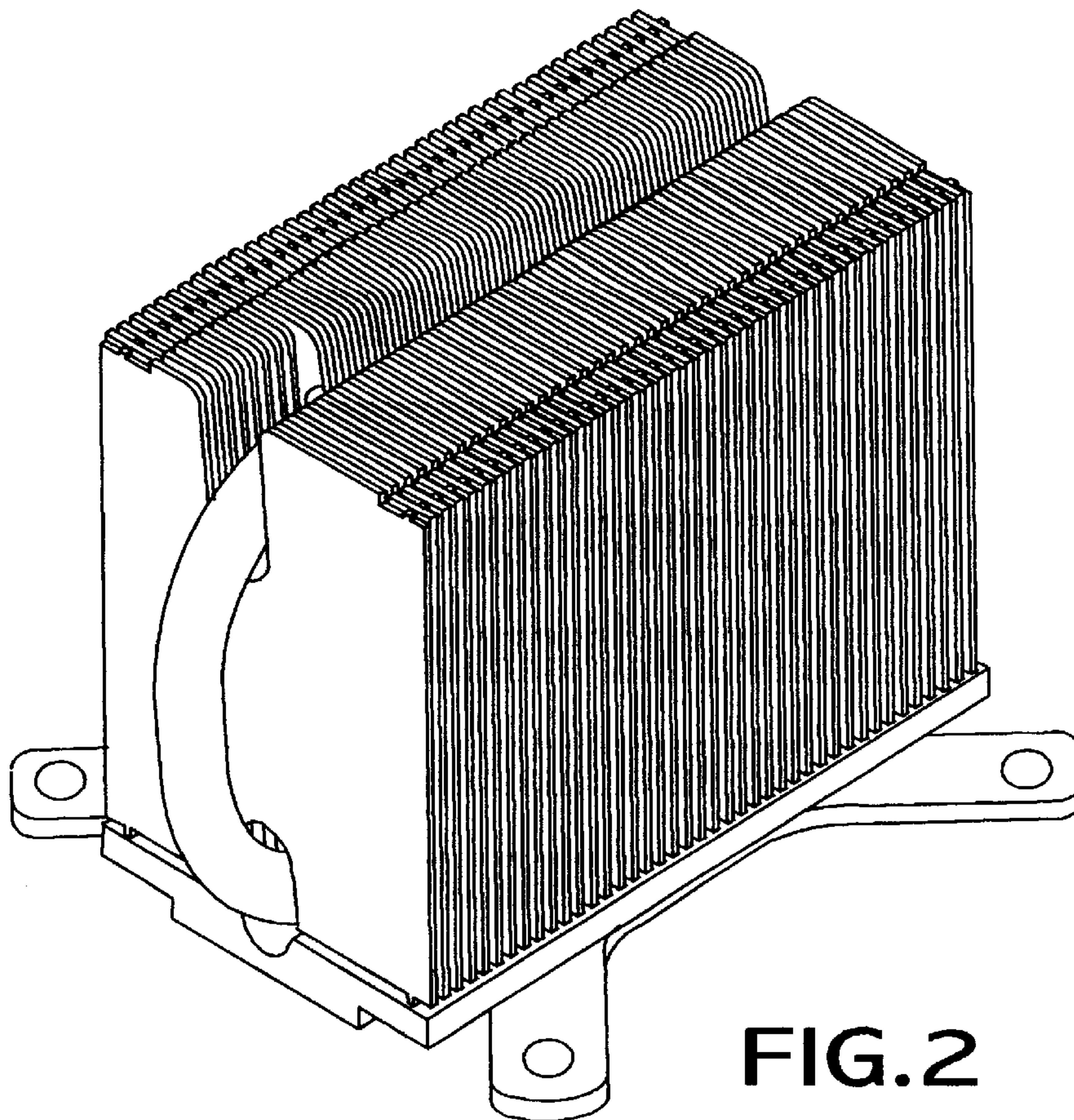
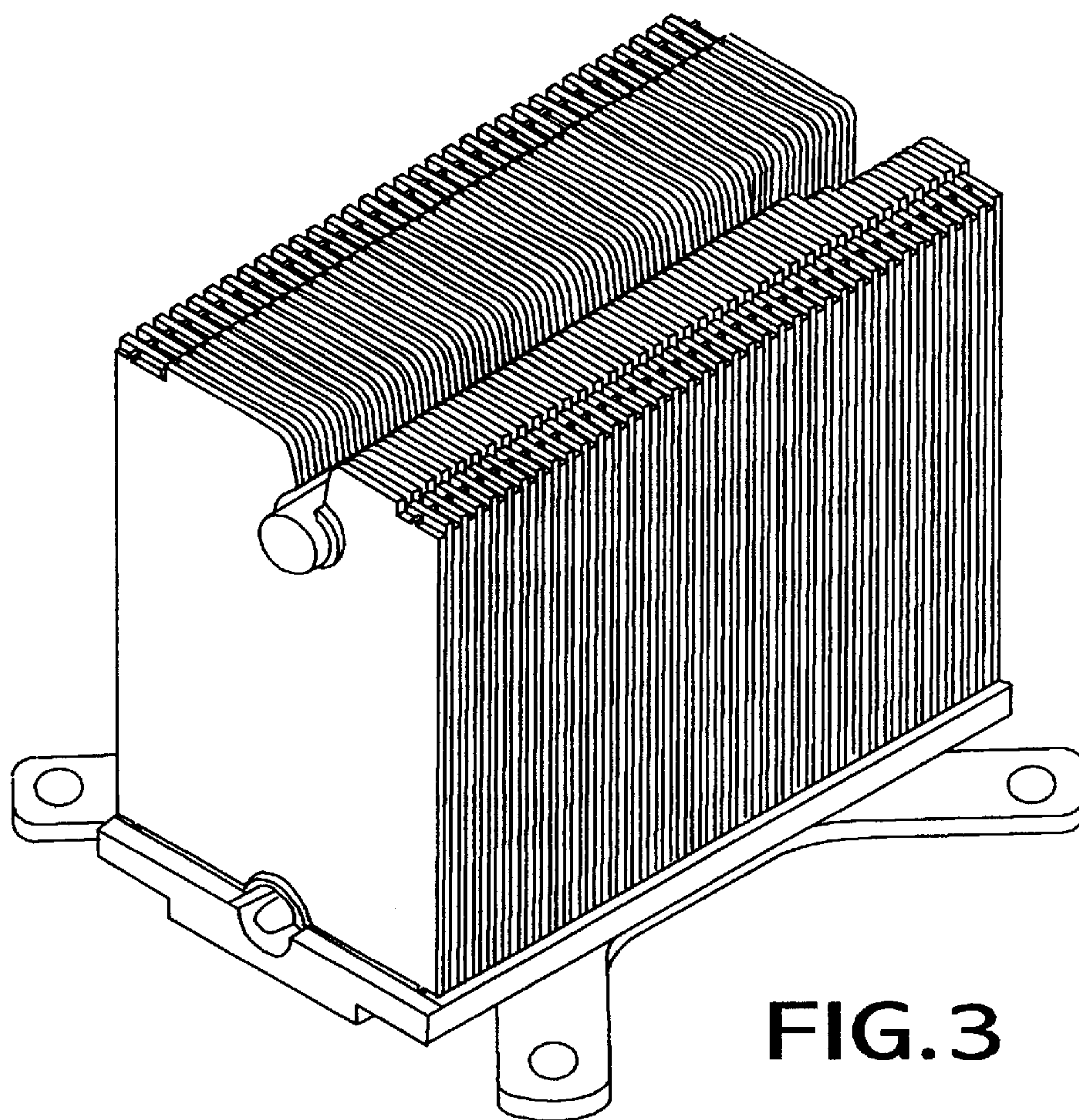
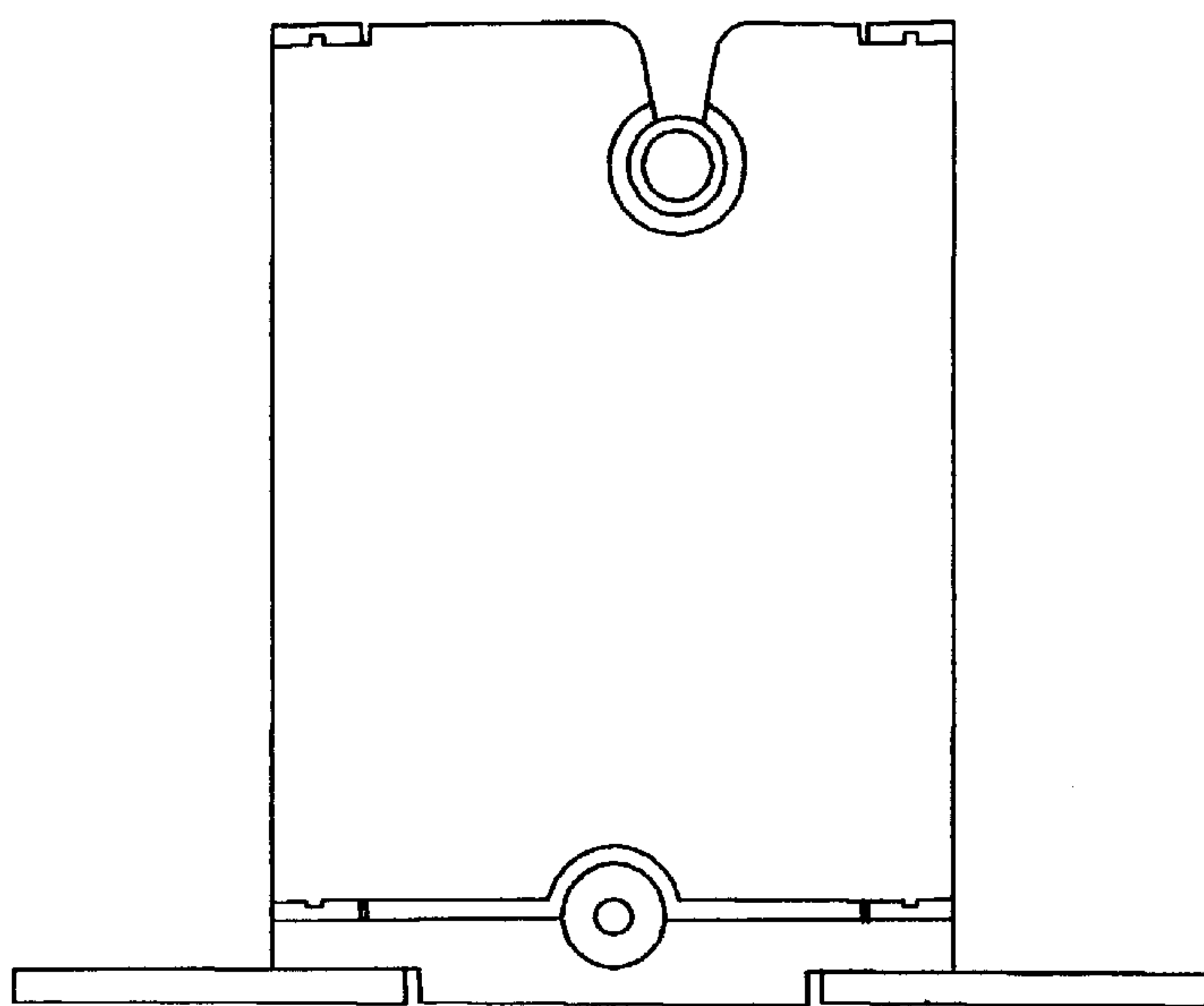


FIG. 2

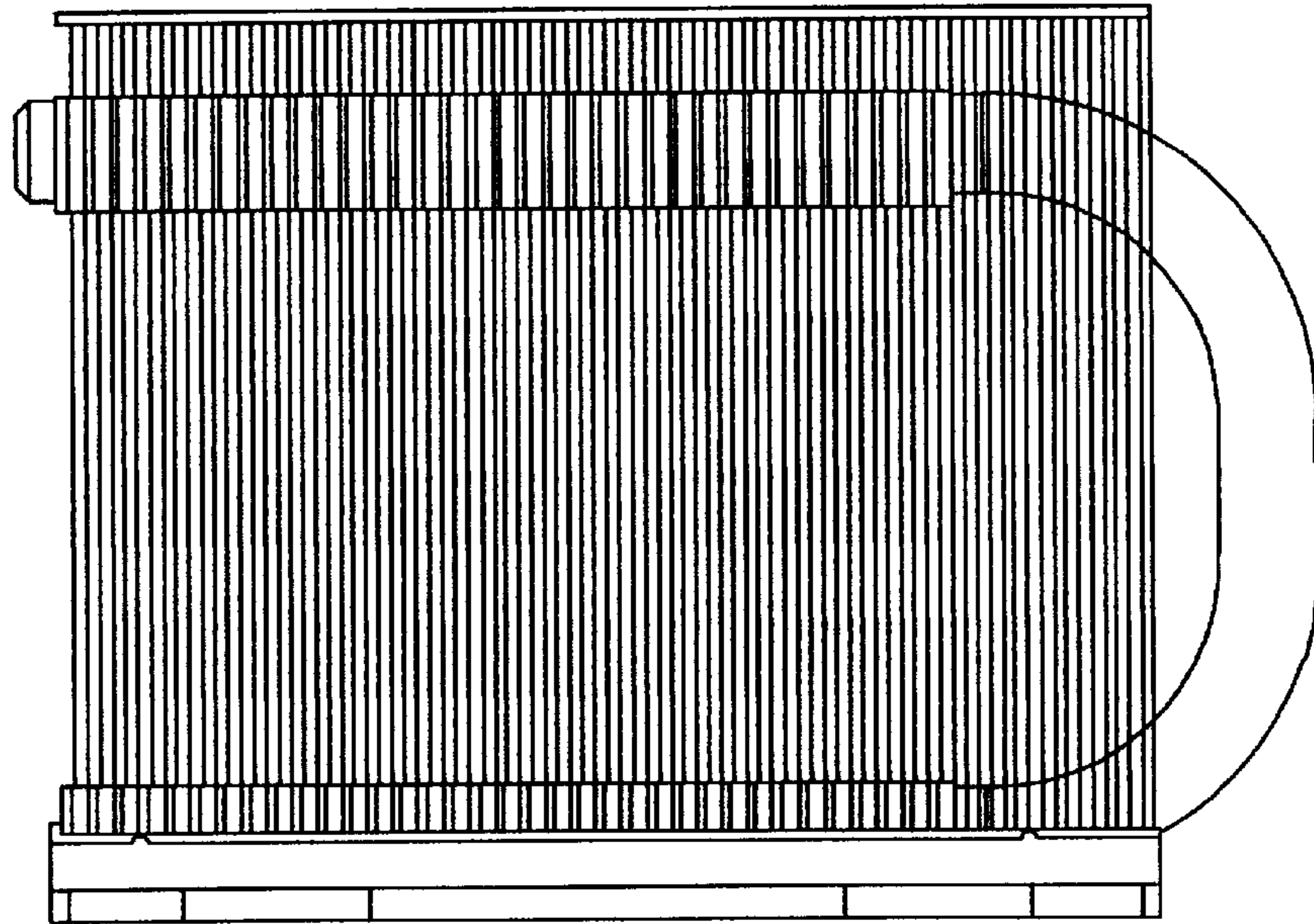




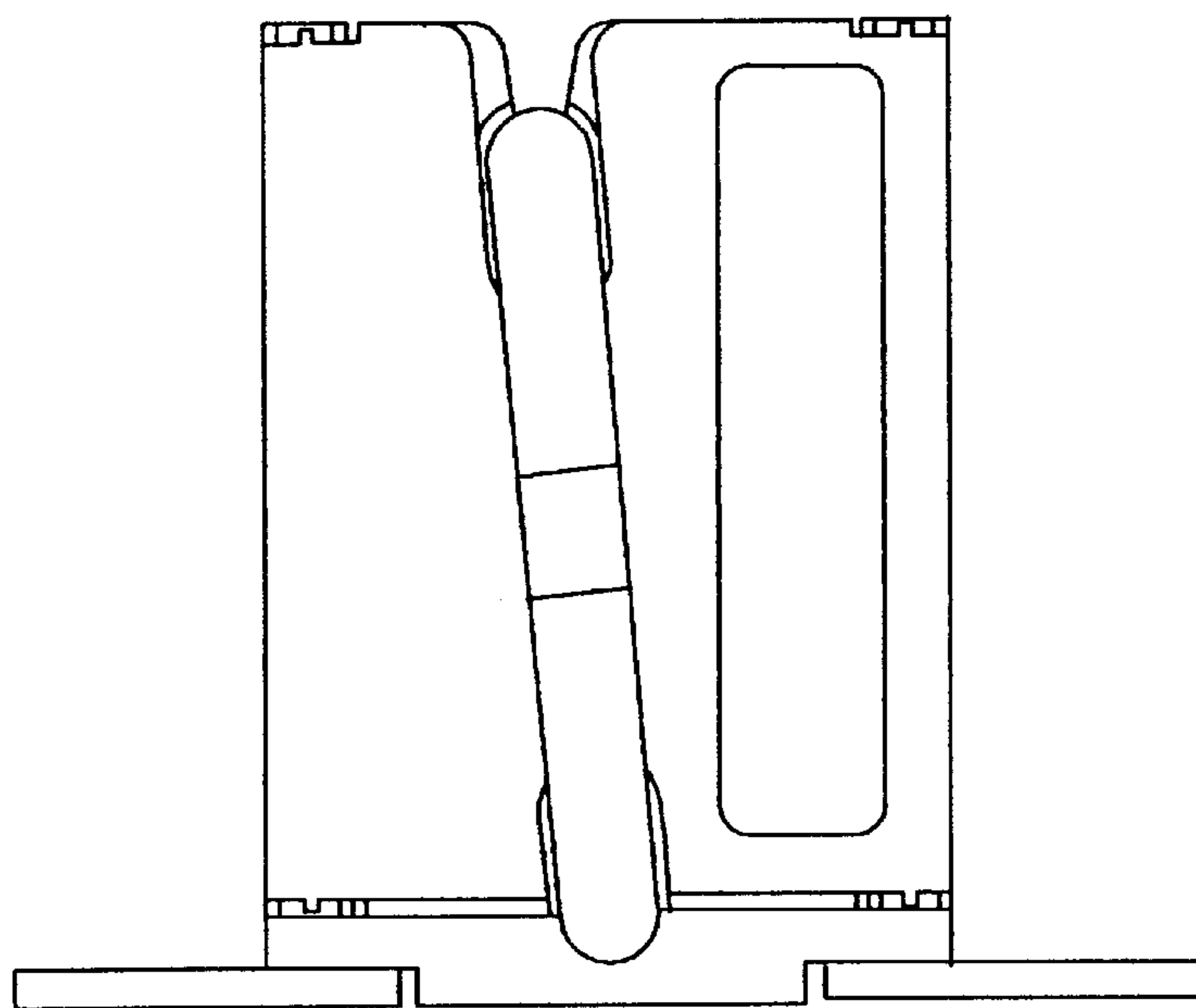
**FIG. 3**



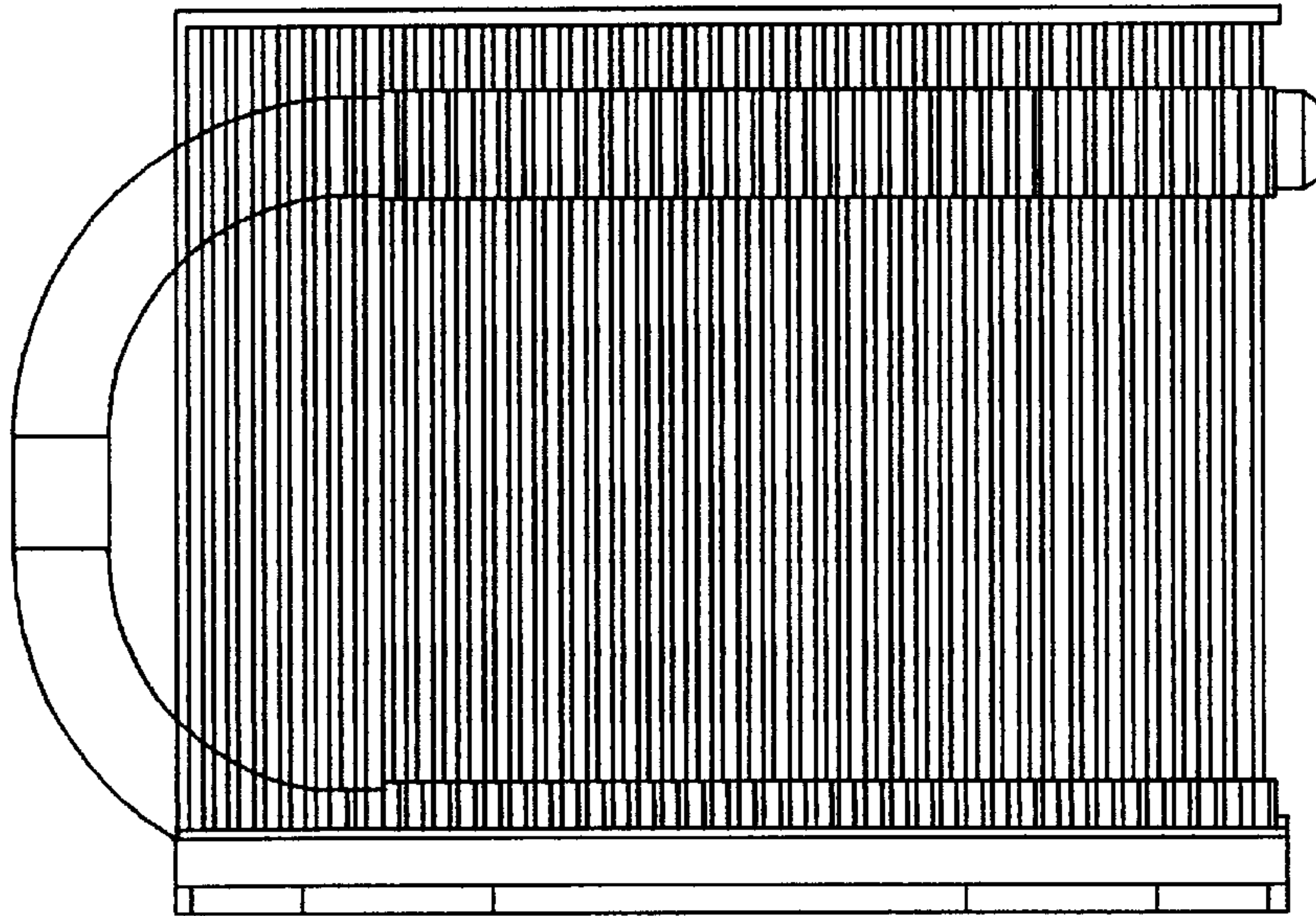
**FIG. 4**



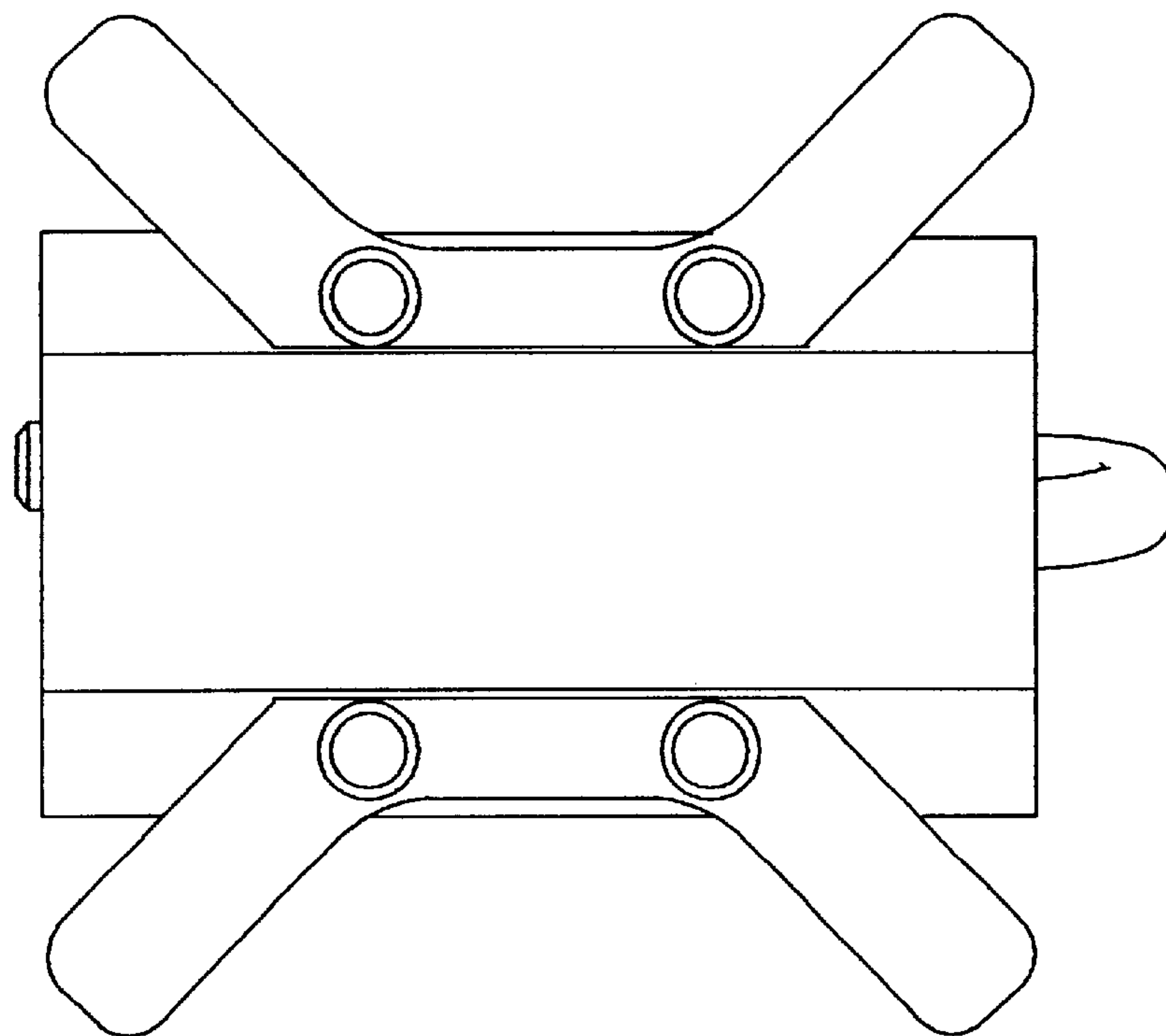
**FIG. 5**



**FIG. 6**



**FIG. 7**



**FIG. 8**